

US00D502510S

(12) **United States Design Patent**  
**Hsu**

(10) **Patent No.:** **US D502,510 S**  
(45) **Date of Patent:** **\*\* Mar. 1, 2005**

(54) **PAPER HOLDER**

D448,417 S \* 9/2001 Kwok ..... D19/85

(76) **Inventor:** **Hua Wen Hsu**, 3F, 20, Alley 1, Lane  
768, Sec. 4, Pa Te Road, Taipei (TW)

\* cited by examiner

(\*\*) **Term:** **14 Years**

*Primary Examiner*—Martie K. Holtje  
(74) *Attorney, Agent, or Firm*—Pro-Techtor International  
Services

(21) **Appl. No.:** **29/203,123**

(57) **CLAIM**

(22) **Filed:** **Apr. 7, 2004**

The ornamental design for a paper holder, as shown and  
described.

(51) **LOC (7) Cl.** ..... **19-02**

(52) **U.S. Cl.** ..... **D19/90; D19/96; D6/310**

(58) **Field of Search** ..... D11/157, 158;  
D19/35, 36, 65, 75, 78, 86, 88, 90, 91,  
95, 96, 97, 99, 100; 446/267, 358; 428/11,  
13; 248/441.1, 442.2, 450, 451, 453, 473,  
918; D6/300, 302, 310; 40/406, 410

**DESCRIPTION**

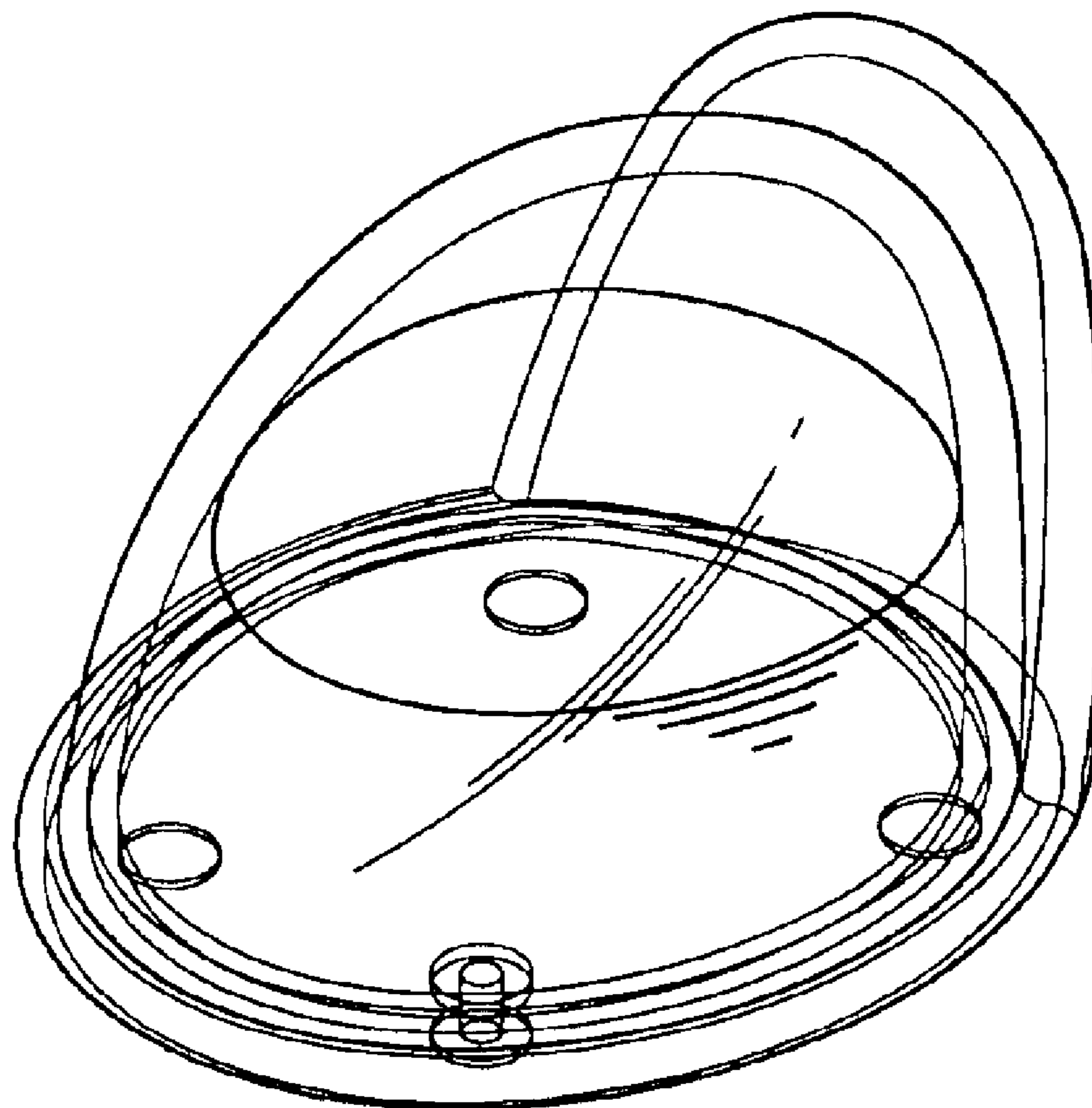
(56) **References Cited**

**U.S. PATENT DOCUMENTS**

- 1,630,373 A \* 5/1927 Combs ..... 248/473
- 5,313,727 A \* 5/1994 Murray, Jr. .... 40/410
- 5,442,869 A \* 8/1995 McDarren et al. .... 40/406
- D407,440 S \* 3/1999 Vanlandingham, Jr. .... D19/88
- 5,911,398 A \* 6/1999 VanLandingham, Jr. . 248/441.1
- D418,166 S \* 12/1999 Dill ..... D19/88
- 6,059,249 A \* 5/2000 Scatterday ..... 248/450

FIG. 1 is a perspective view of a “paper holder” showing my  
new design;  
FIG. 2 is a front view thereof;  
FIG. 3 is a rear view thereof;  
FIG. 4 is a left side view thereof;  
FIG. 5 is a right side view thereof;  
FIG. 6 is a top view thereof;  
FIG. 7 is a bottom view thereof; and,  
FIG. 8 is a longitudinal cross-sectional view thereof, the  
structure depicted by means of broken lines therein being  
shown for illustrative purposes only and forming no part of  
the claimed design.

**1 Claim, 5 Drawing Sheets**



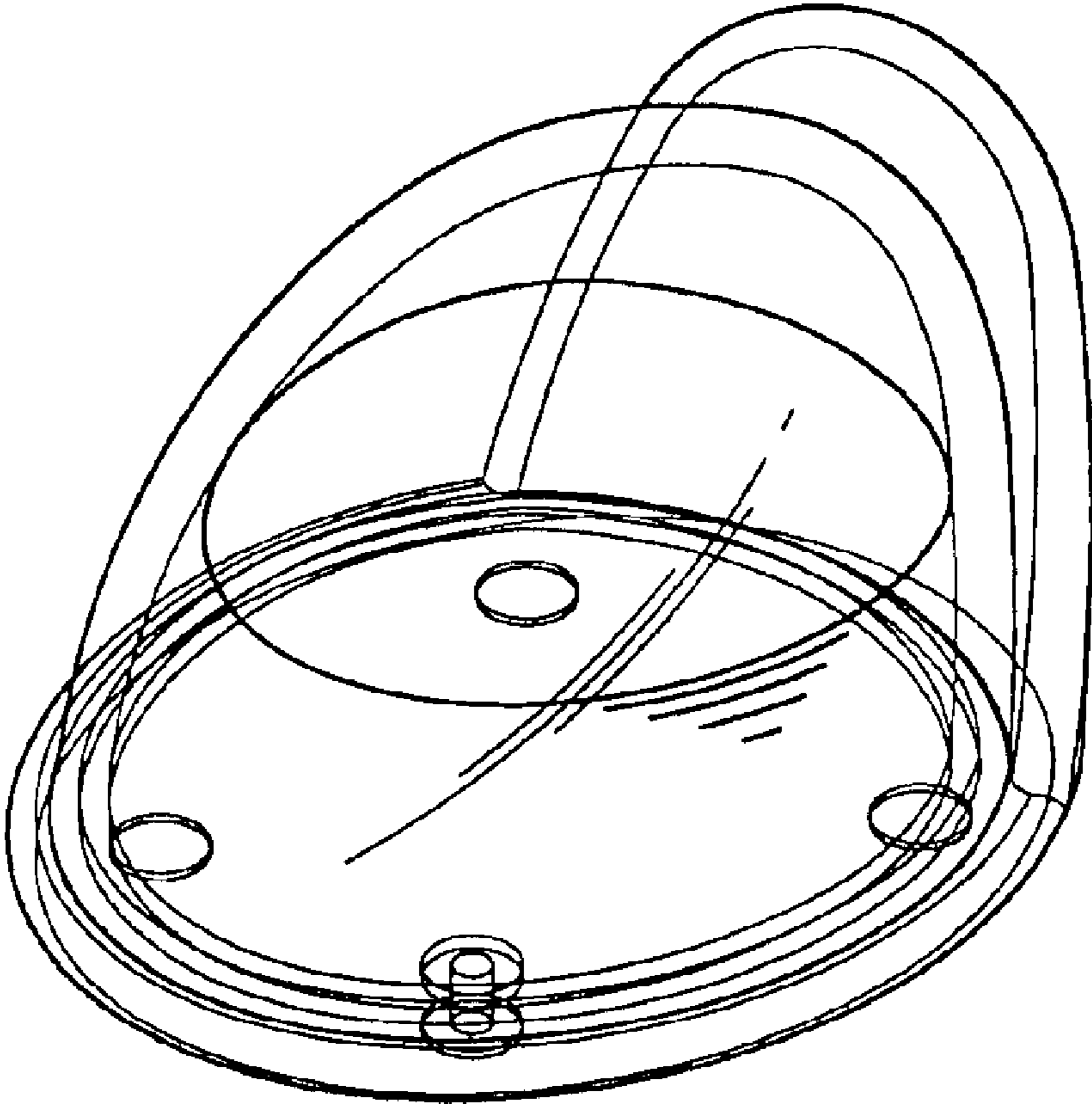


FIG. 1

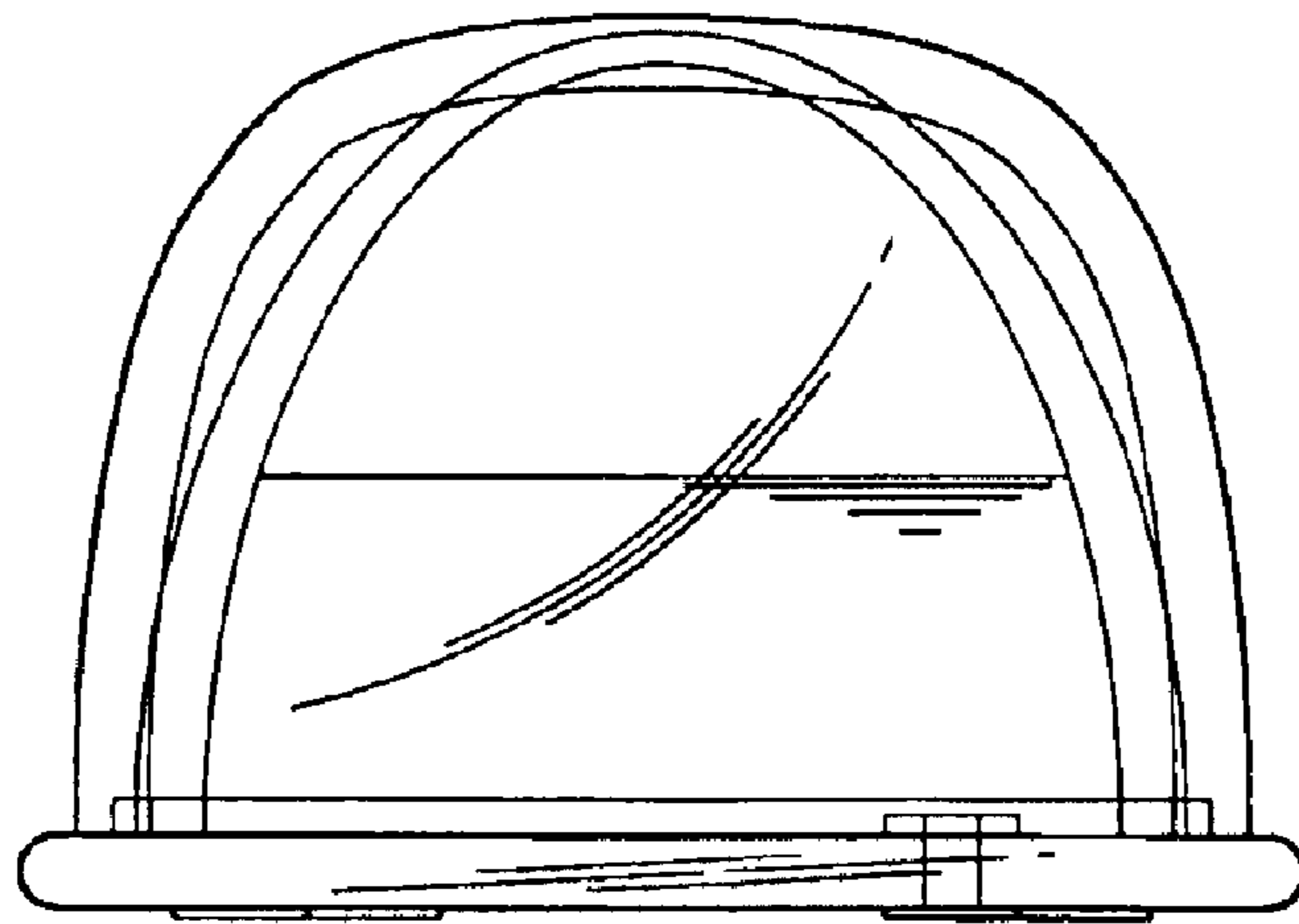


FIG. 2

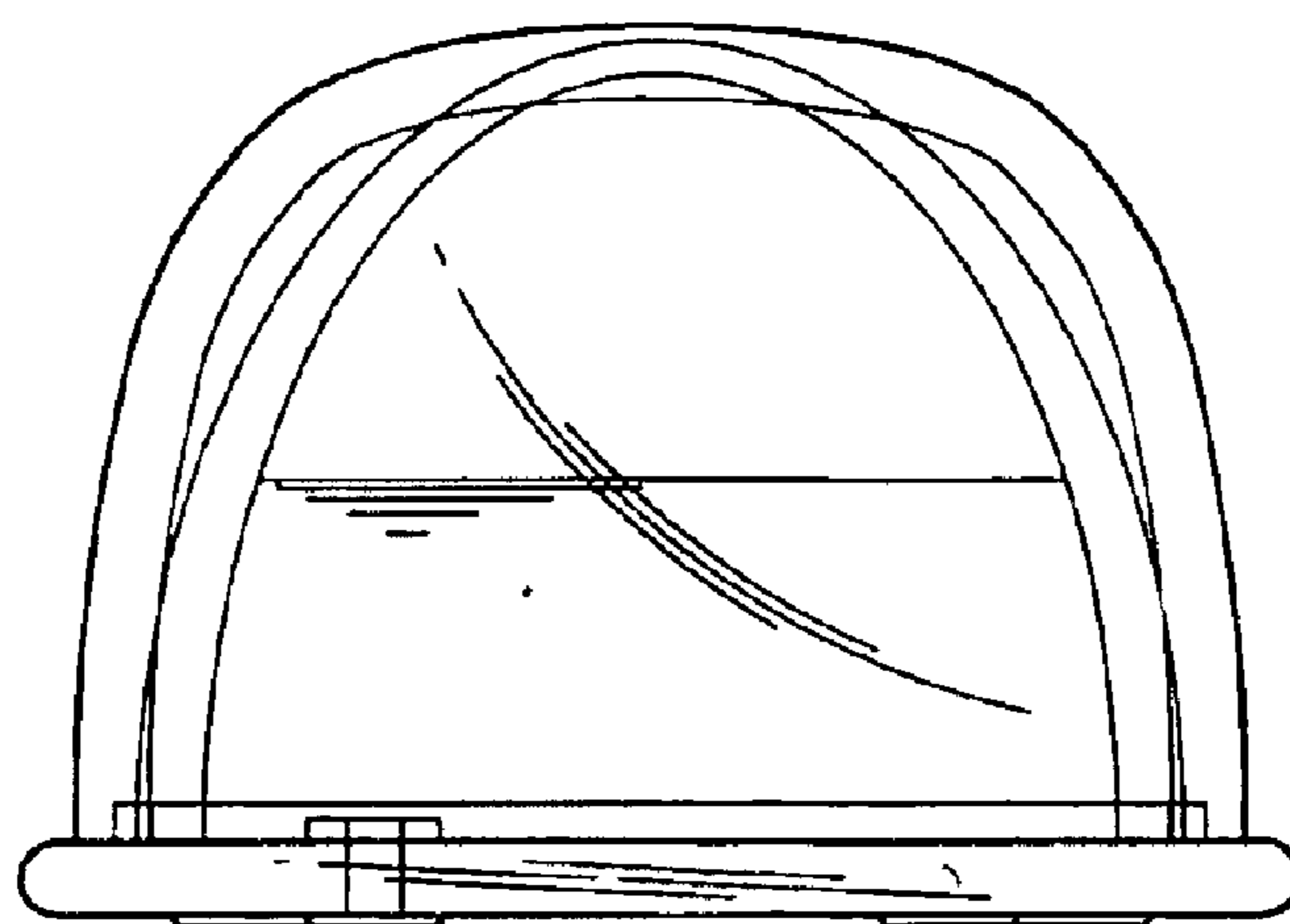


FIG. 3

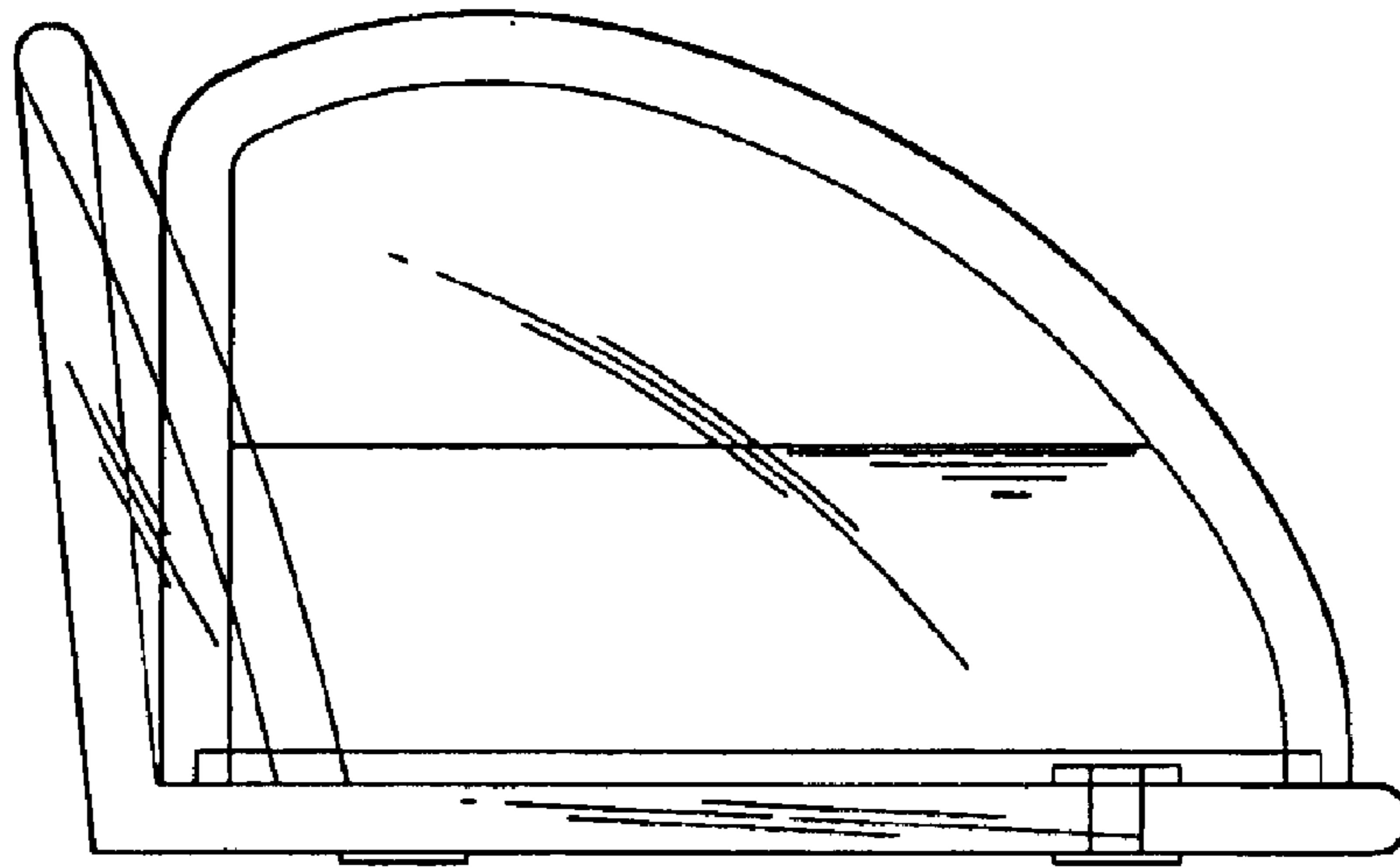


FIG. 4

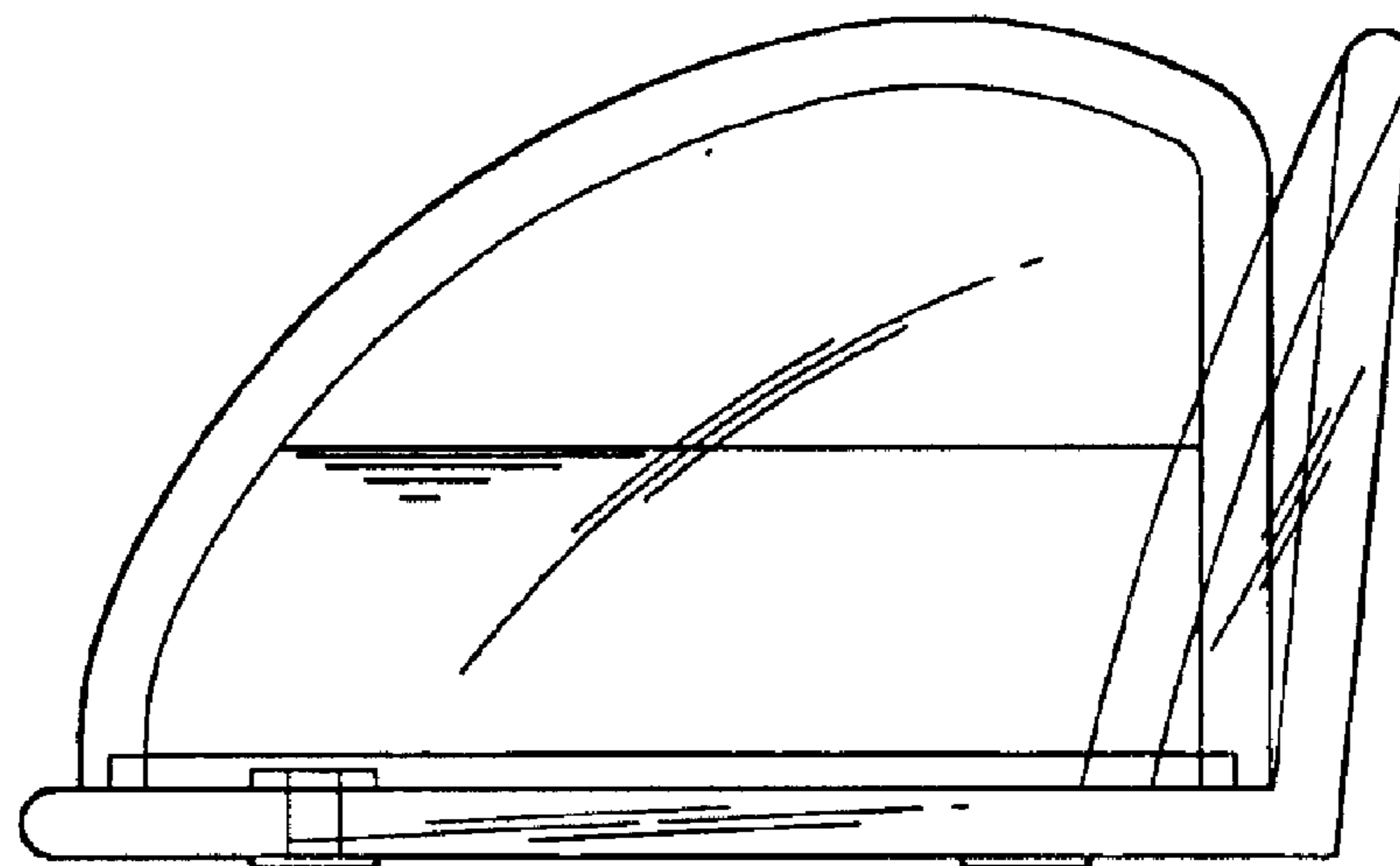


FIG. 5

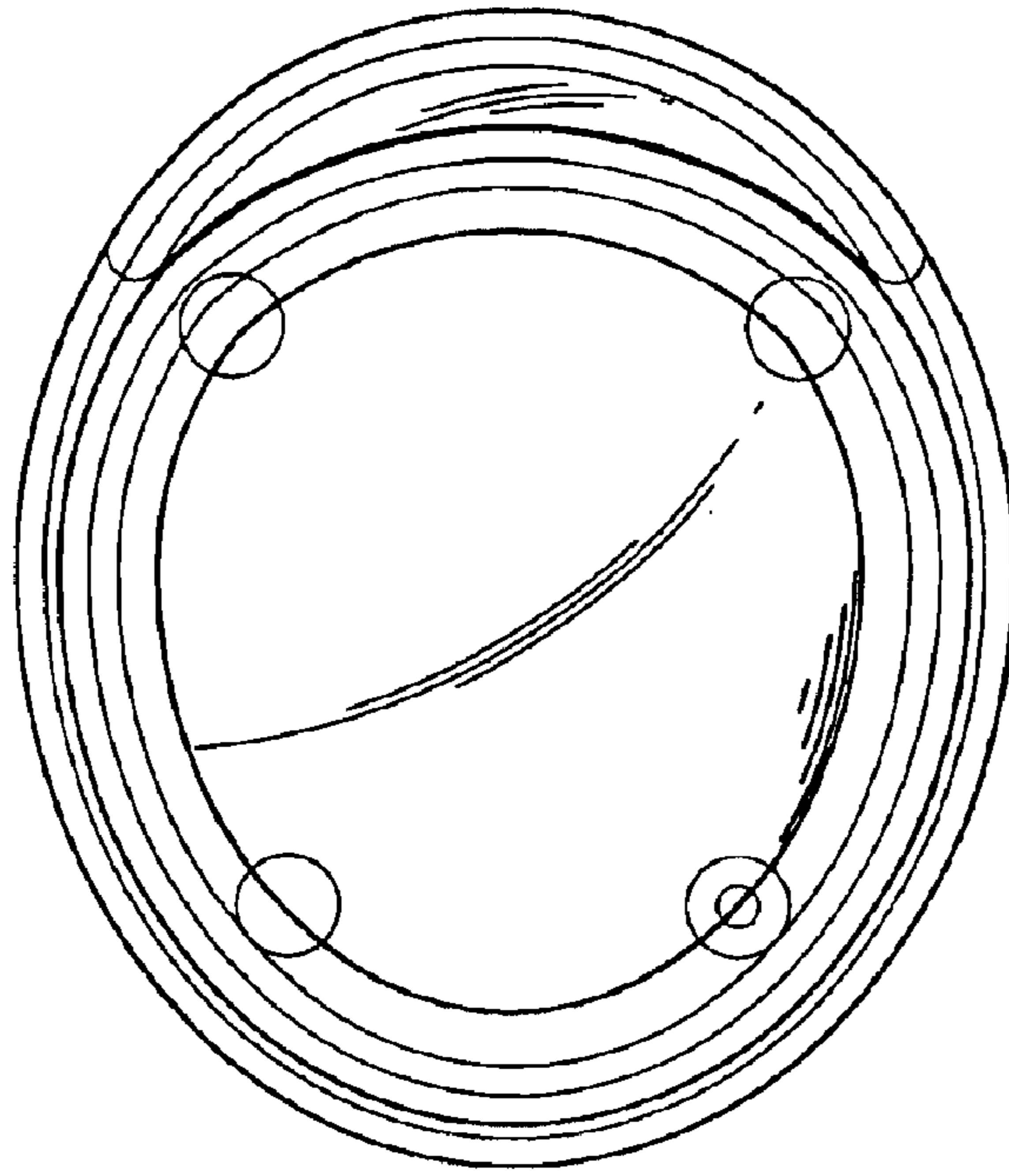


FIG. 6

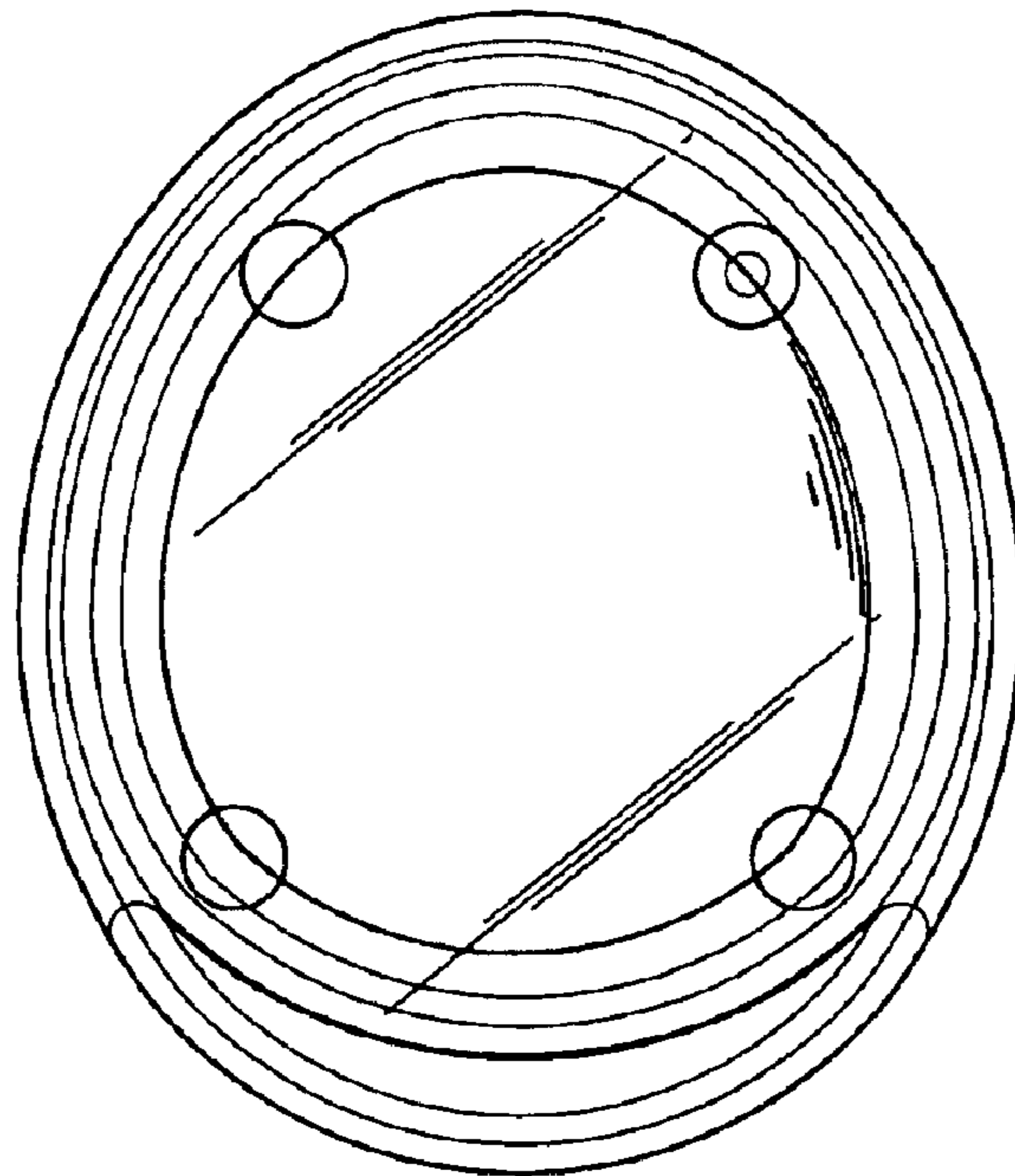


FIG. 7

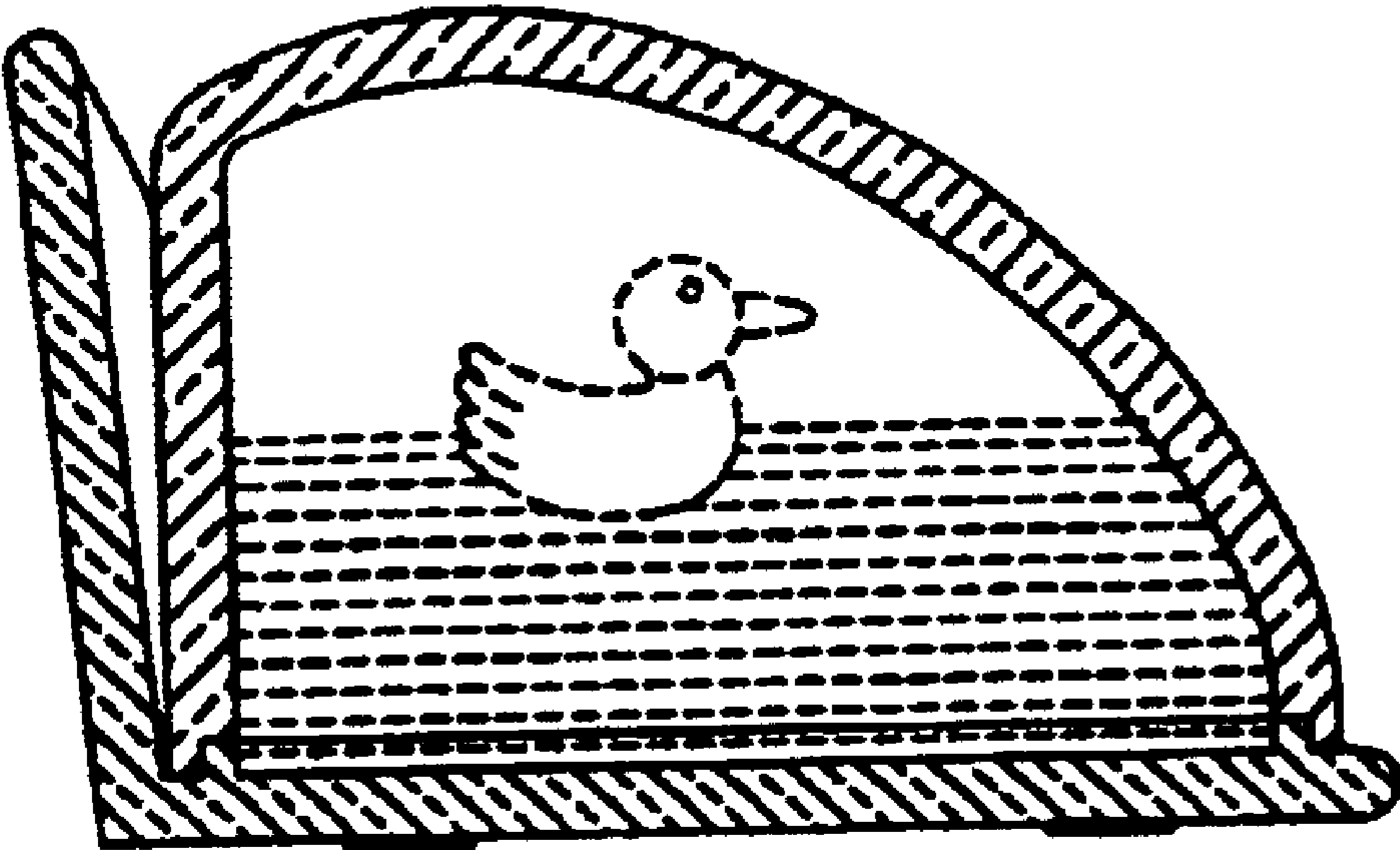


FIG. 8