

US00D502509S

(12) **United States Design Patent**
DeCarlo et al.

(10) **Patent No.: US D502,509 S**
(45) **Date of Patent: ** Mar. 1, 2005**

(54) **COLLAPSIBLE ORGANIZER**
(75) Inventors: **Anthony J. DeCarlo**, Bay Village, OH (US); **Daniel V. Perella**, Hudson, OH (US); **Vincent J. Thomson**, Avon Lake, OH (US)

(73) Assignee: **Idea Stream Consumer Products LLC**, Parma, OH (US)

(**) Term: **14 Years**

(21) Appl. No.: **29/201,205**

(22) Filed: **Mar. 11, 2004**

(51) **LOC (7) Cl.** **19-06**

(52) **U.S. Cl.** **D19/75; D19/78; D19/90**

(58) **Field of Search** D19/35, 36, 65, D19/75, 77, 78, 81-85, 86, 90, 91, 92, 95, 99, 100; D9/432, 433; D3/313; D6/449, 475; 206/214, 224, 742, 63.5, 371, 373, 561; 211/69.1-69.9, 10, 11, 13.1, 50, 55, 126.13

(56) **References Cited**

U.S. PATENT DOCUMENTS

1,684,002	A	*	9/1928	White	206/373
1,930,386	A	*	10/1933	Feedback	206/742
1,998,481	A	*	4/1935	Yoder	206/63.5
D244,430	S	*	5/1977	Larkin	D9/432
D295,540	S	*	5/1988	Rabig	D19/92

D316,565	S	*	4/1991	Rust	D19/75
D317,178	S	*	5/1991	Kheng	D19/75
D354,516	S	*	1/1995	Crist et al.	D19/75
D357,373	S	*	4/1995	Wolff	D6/475
D385,112	S	*	10/1997	Birnbaum	D3/313

* cited by examiner

Primary Examiner—Martie K. Holtje

(74) *Attorney, Agent, or Firm*—Renner, Otto, Boisselle & Sklar LLP

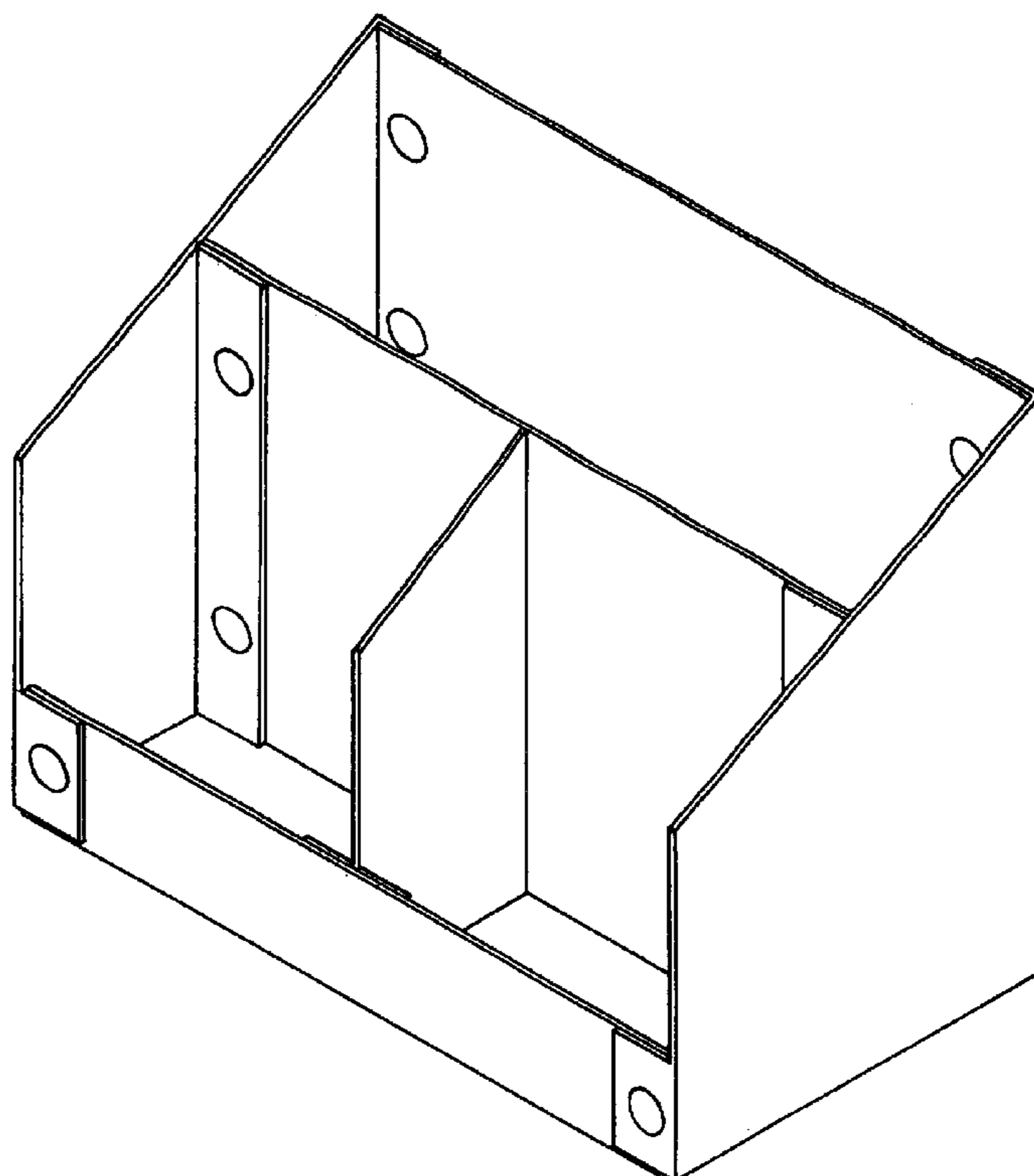
(57) **CLAIM**

The ornamental design for a collapsible organizer, as shown and described.

DESCRIPTION

FIG. 1 is a perspective view of a collapsible organizer in an assembled state showing our new design; FIG. 2 is a front elevation view thereof; FIG. 3 is a top plan view thereof; FIG. 4 is a right side elevation view thereof, the left side elevation view is similar to the right side elevation view; FIG. 5 is a rear elevational view thereof; FIG. 6 is a bottom plan view thereof; FIG. 7 is a top plan view thereof in a collapsed condition; FIG. 8 is a bottom plan view thereof in a collapsed condition; and, FIG. 9 is a top plan view of the removable divider shown separately for ease of illustration, in a collapsed condition.

1 Claim, 8 Drawing Sheets



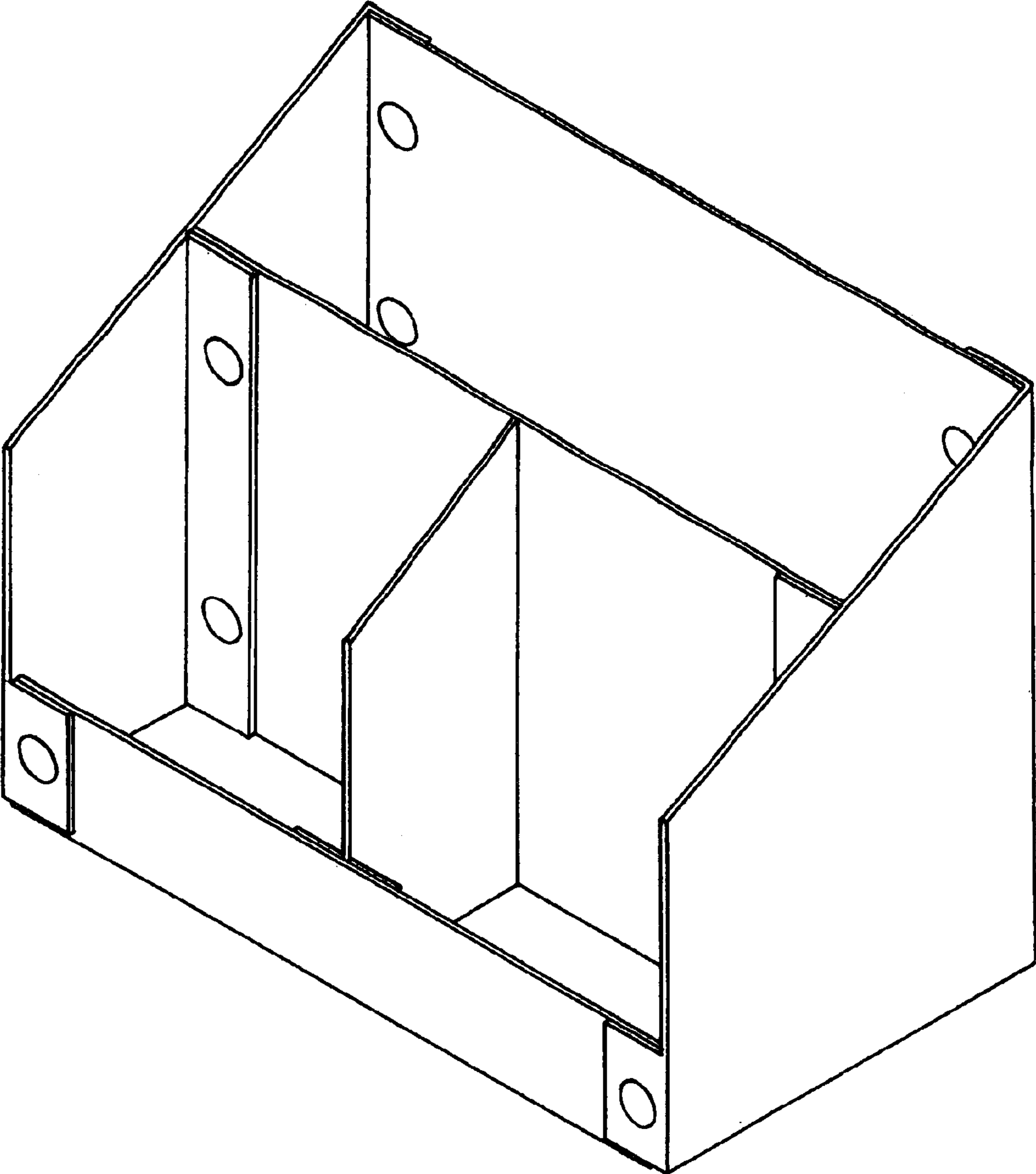


FIG. 1

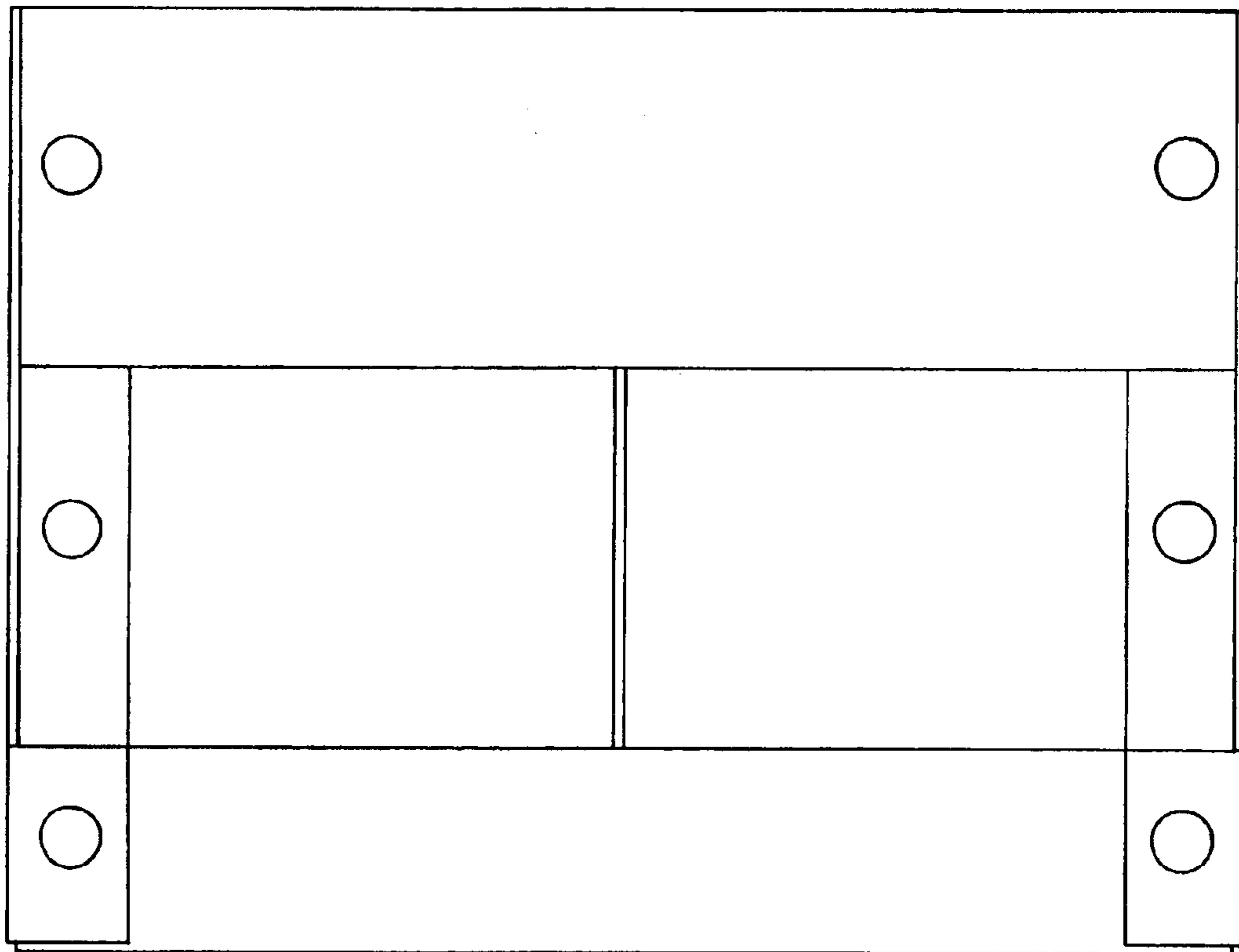


FIG. 2

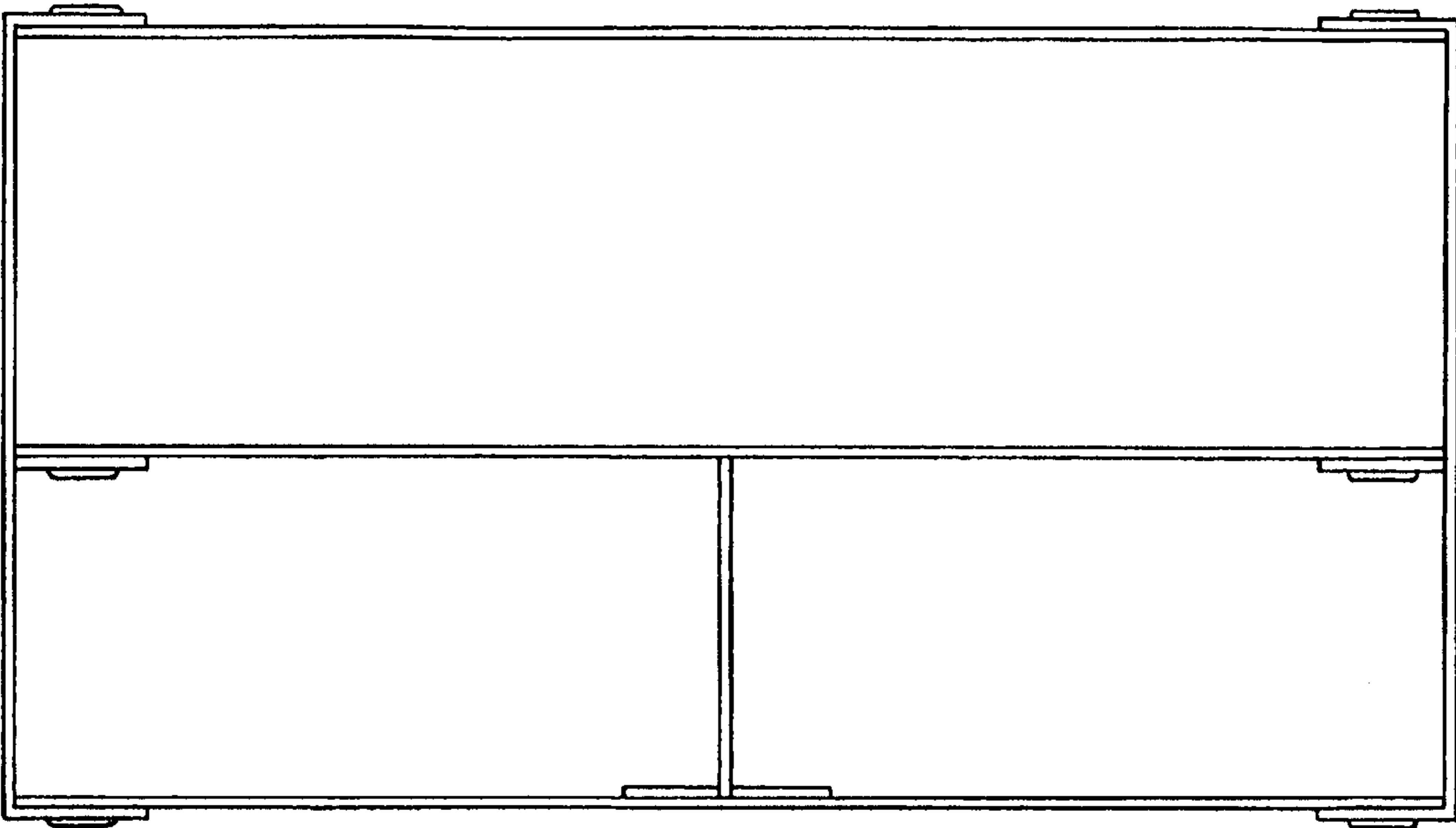


FIG. 3

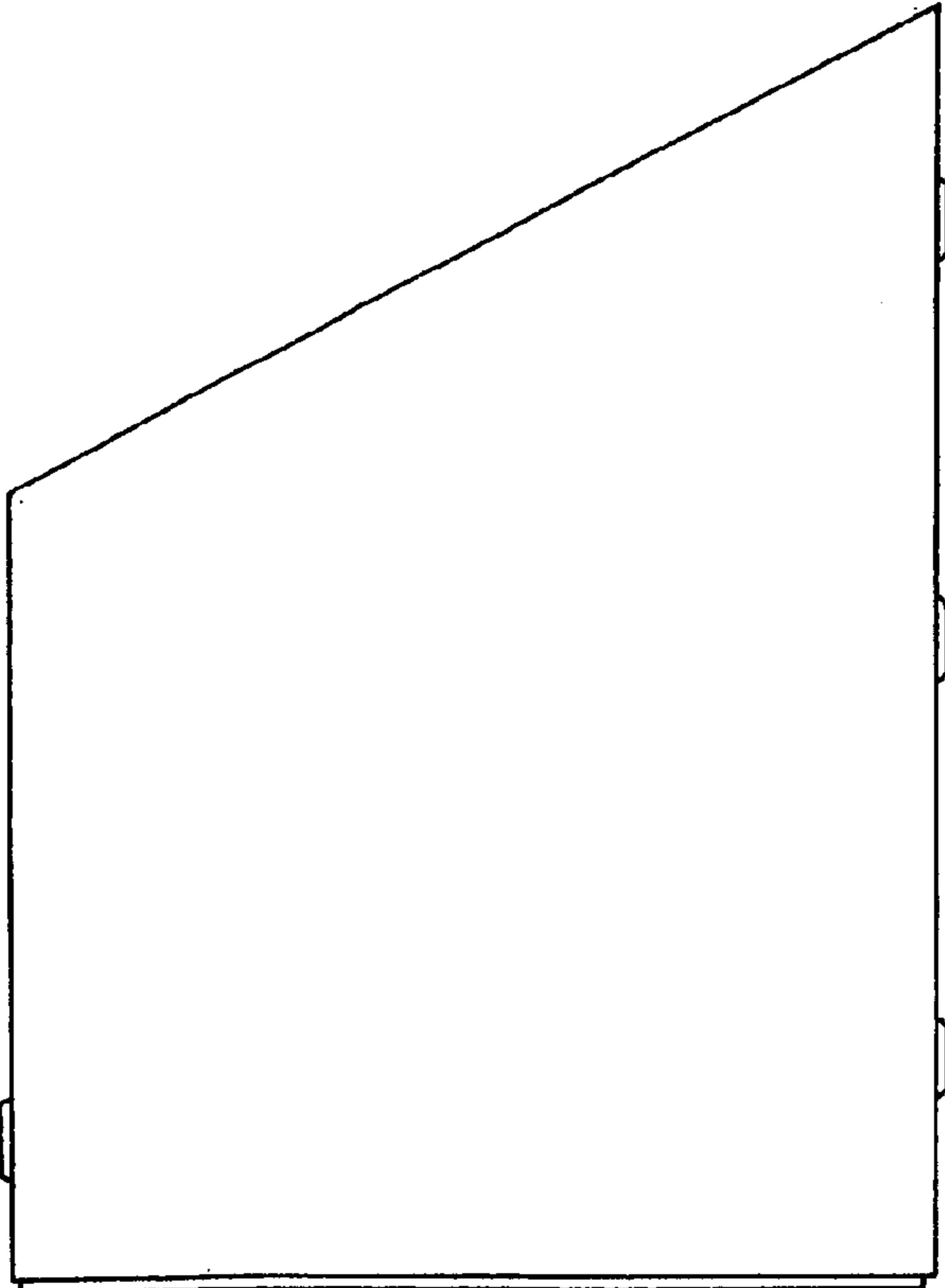


FIG. 4

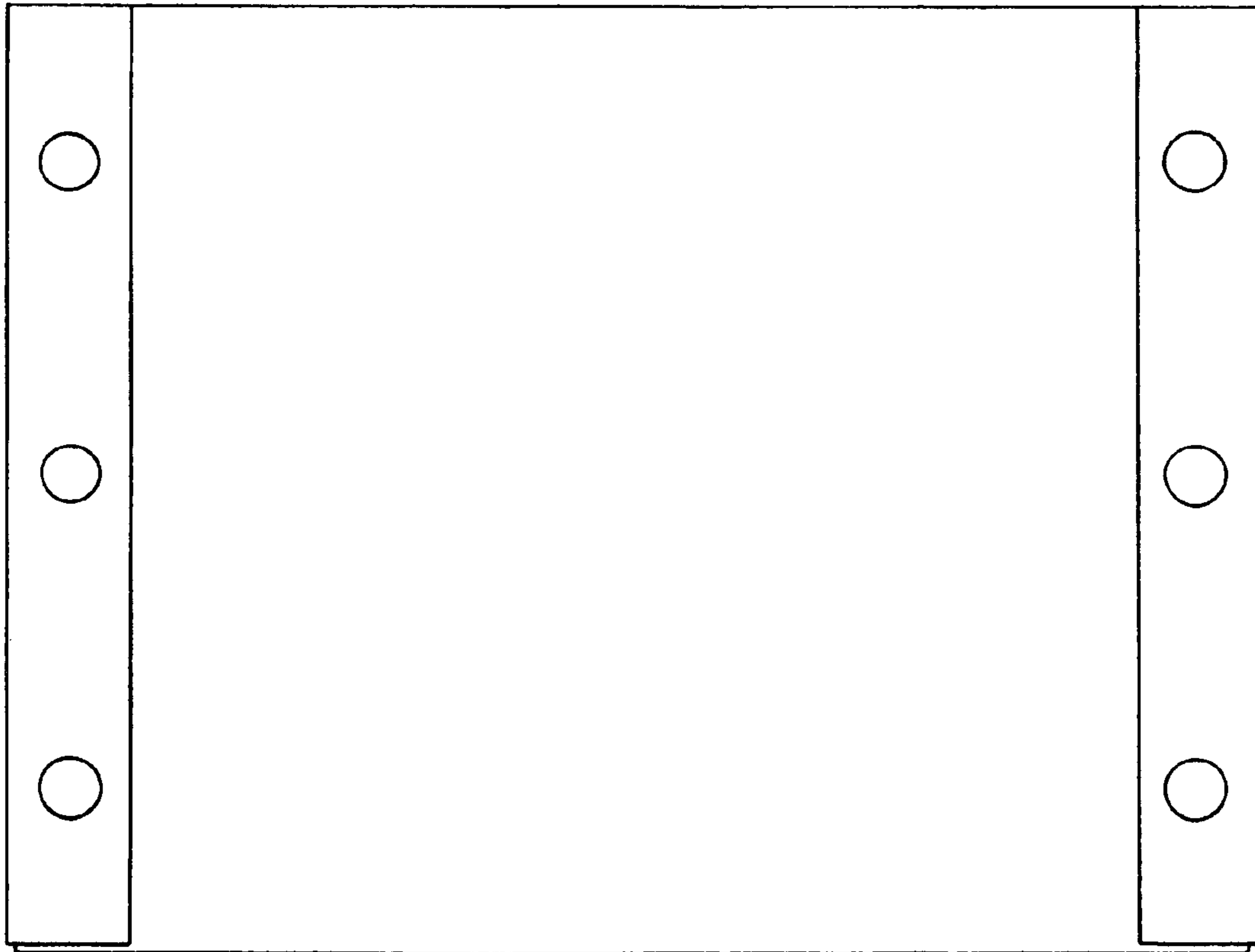


FIG. 5

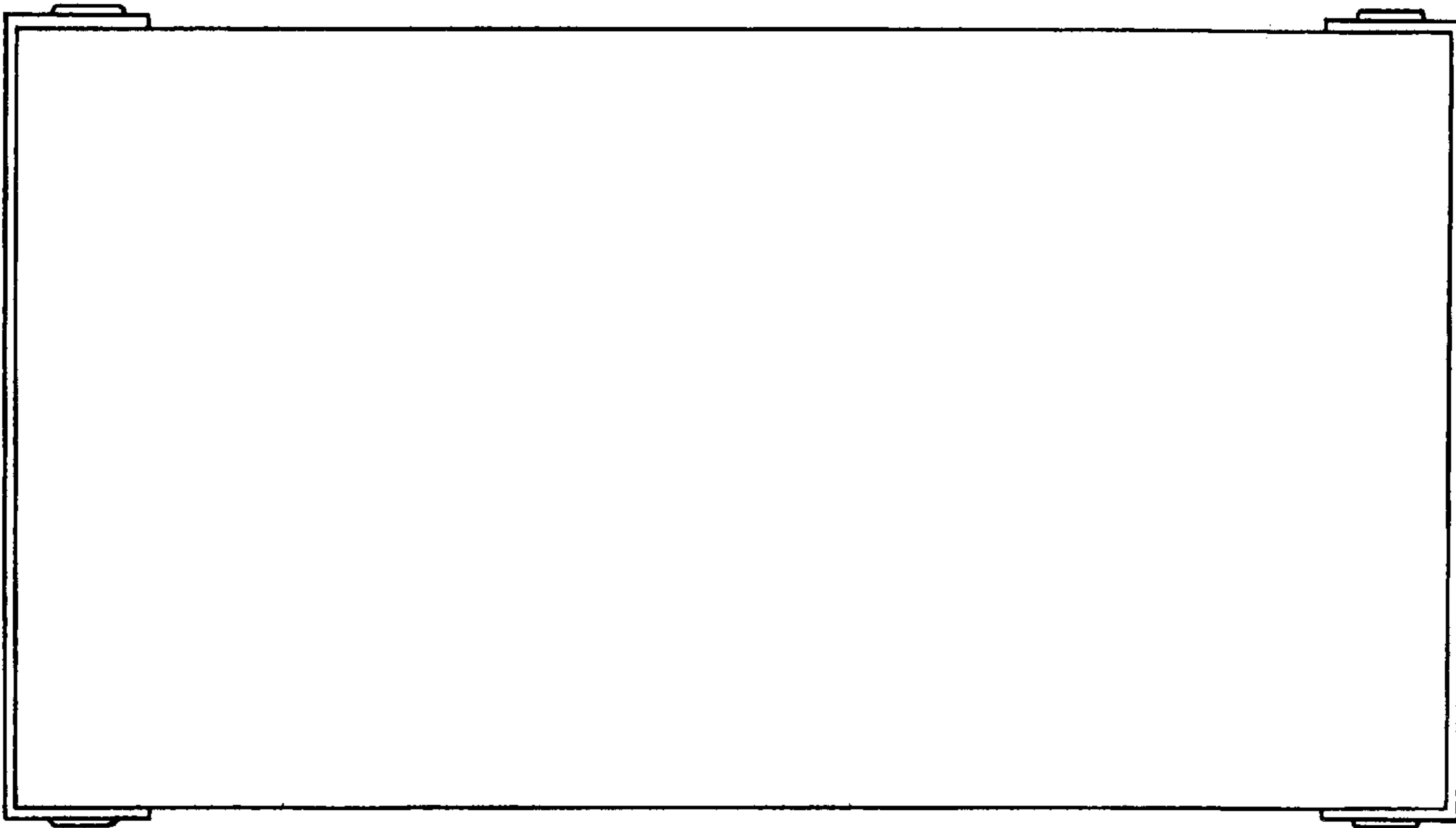


FIG. 6

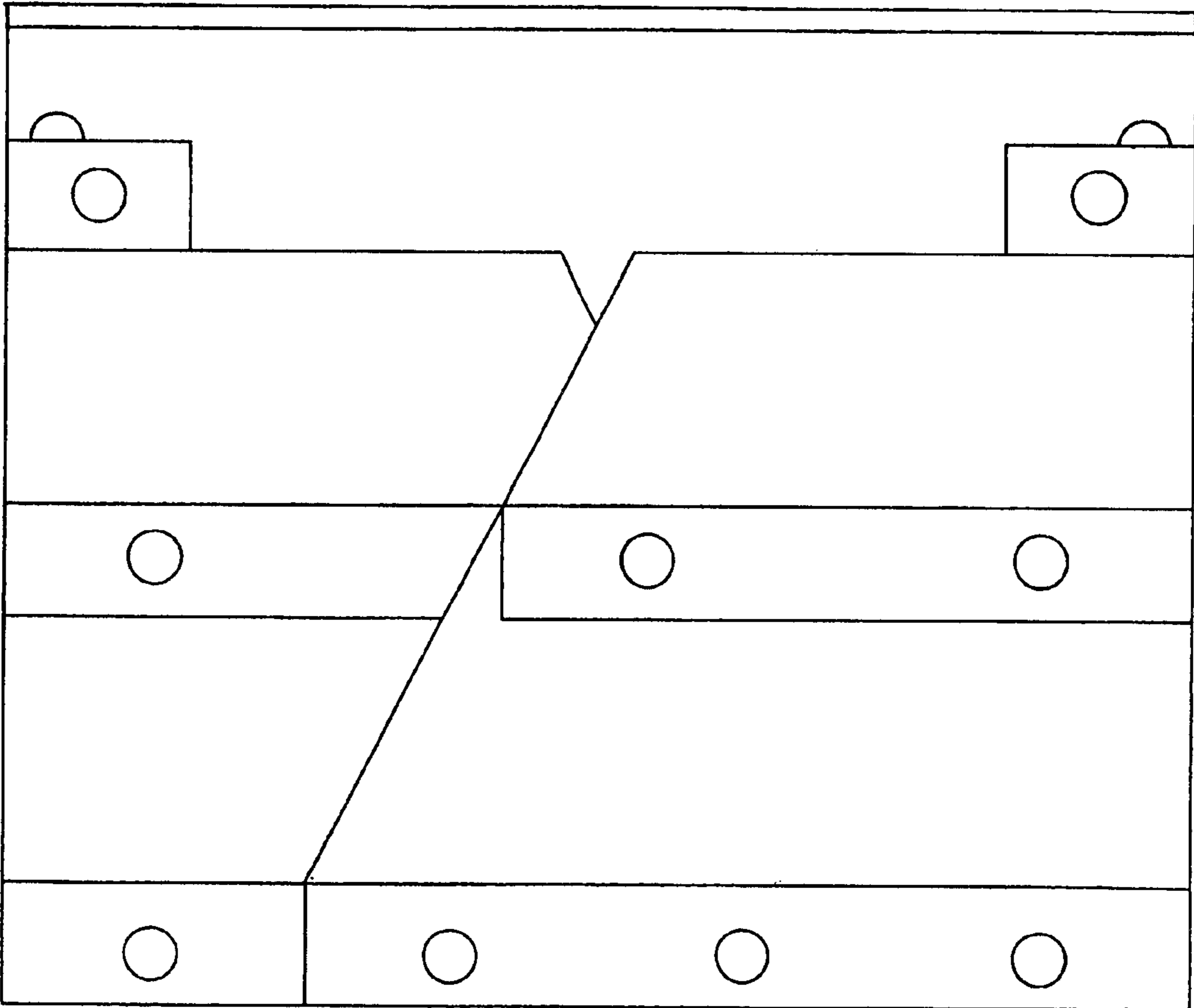


FIG. 7

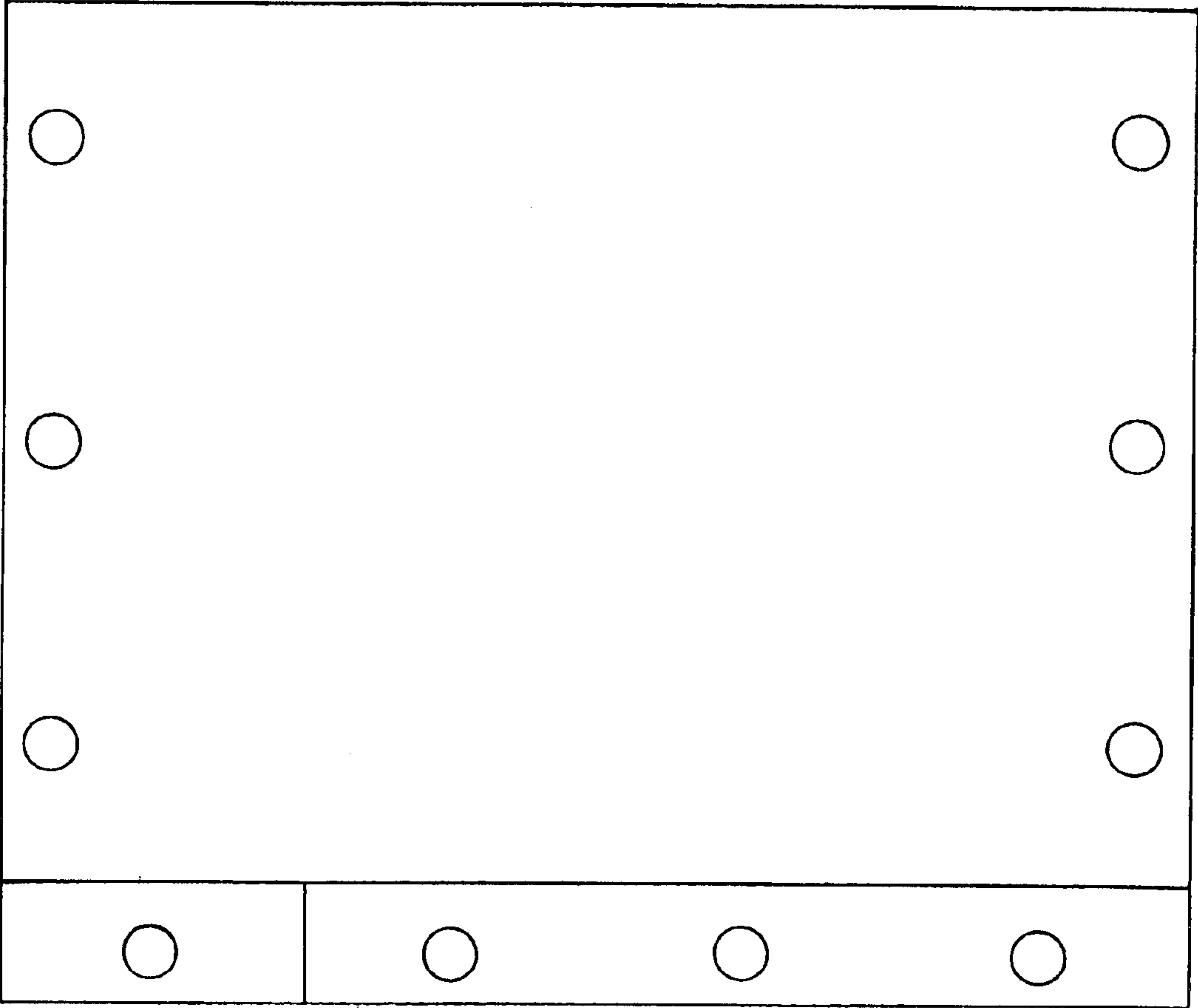


FIG. 8

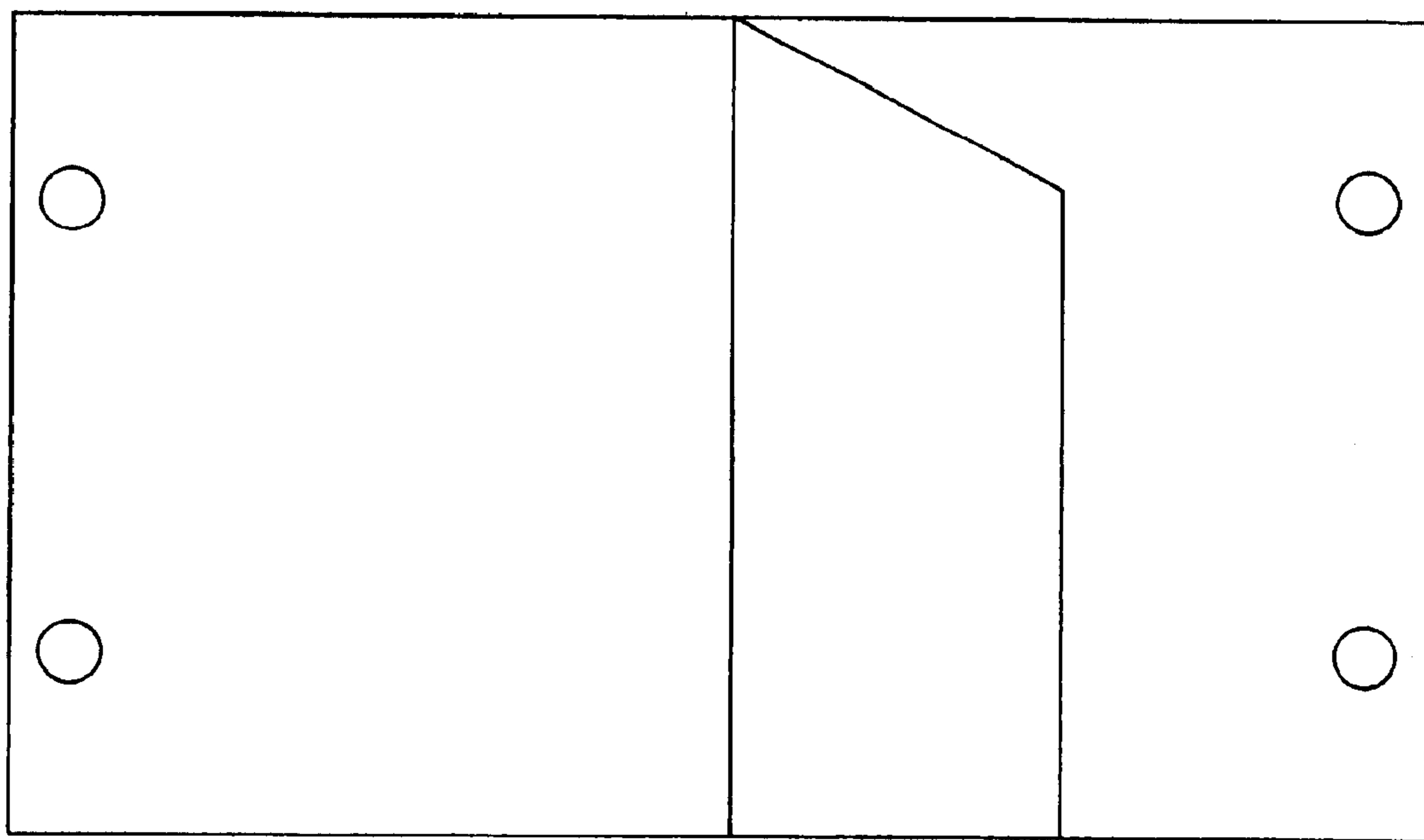


FIG. 9