

US00D502508S

(12) **United States Design Patent**
Hung

(10) **Patent No.:** **US D502,508 S**
(45) **Date of Patent:** **** Mar. 1, 2005**

(54) **HAND-HELD TAPE DISPENSER**

(76) **Inventor:** **James C. M. Hung**, 57 Clydesdale Drive, Willowdale, Toronto (CA), M2J 3N1

(**) **Term:** **14 Years**

(21) **Appl. No.:** **29/201,558**

(22) **Filed:** **Mar. 17, 2004**

(51) **LOC (7) Cl.** **19-02**

(52) **U.S. Cl.** **D19/69; D19/67**

(58) **Field of Search** D19/65, 67, 68, D19/69, 89, 95, 99, 100; 225/6, 7, 9, 11, 31, 25, 34, 45-47, 49, 56, 65, 77, 78, 89; 242/588, 588.1-588.6, 590, 598.5, 598.6; 156/327, 523, 527, 577; 206/389, 395-398, 411, 415

4,400,231 A	8/1983	Martin
4,406,730 A	9/1983	Altmix
4,508,587 A	4/1985	Hunter
4,527,722 A	7/1985	Strachan
4,574,029 A	3/1986	Murray
4,581,091 A	4/1986	Lane
4,591,402 A	5/1986	Evans et al.
4,625,901 A	12/1986	Adelizi
4,634,415 A	1/1987	Knoop
4,643,059 A	2/1987	Phillips et al.
4,729,518 A	* 3/1988	Mathna et al. 225/78 X

(List continued on next page.)

Primary Examiner—Martie K. Holtje
(74) *Attorney, Agent, or Firm*—Boyle Fredrickson Newholm Stein & Gratz S.C.

(57) **CLAIM**

The ornamental design for a hand-held tape dispenser, as shown and described.

(56) **References Cited**

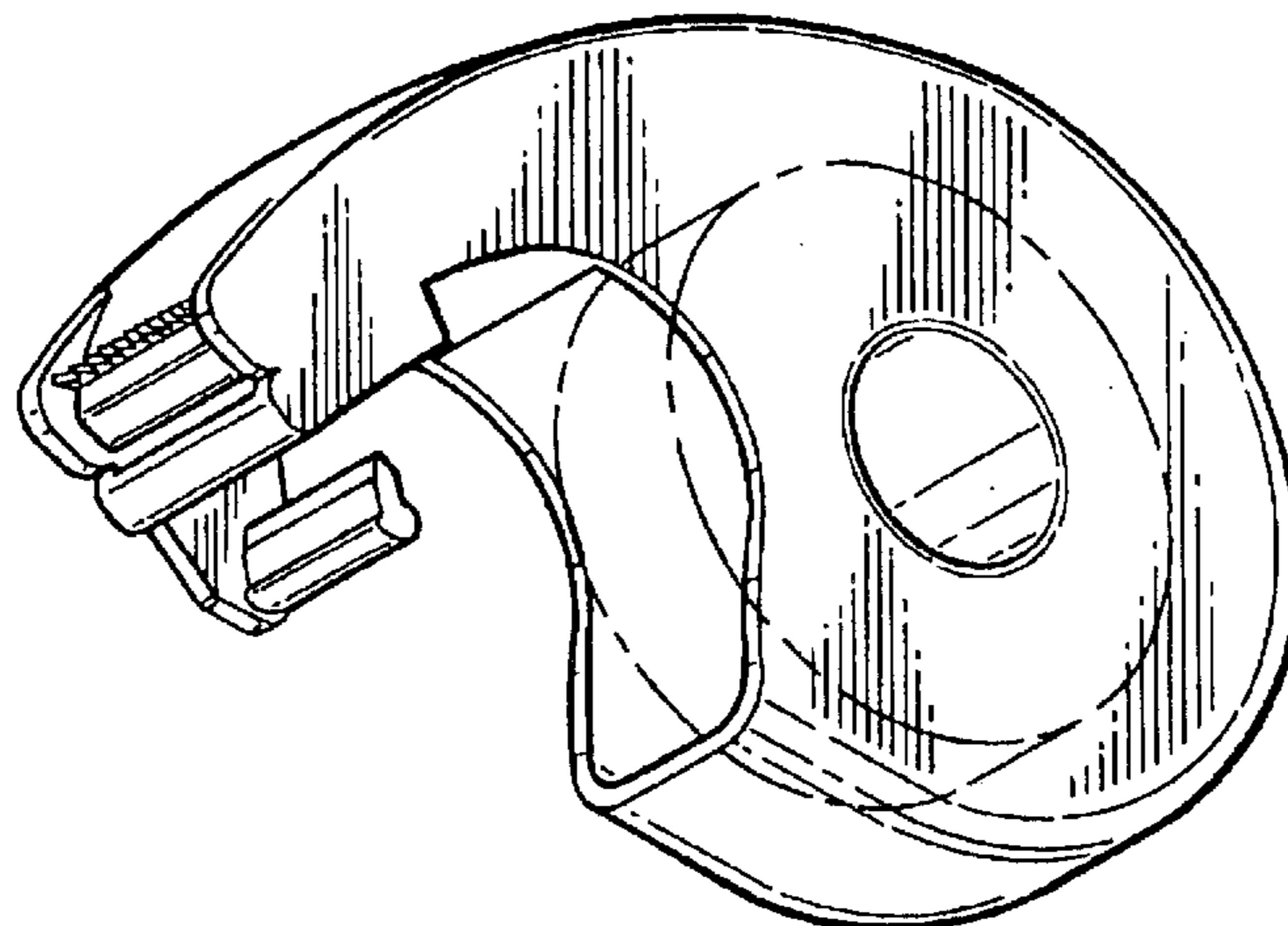
U.S. PATENT DOCUMENTS

D118,629 S	*	1/1940	Reinecke	D19/69
3,132,783 A		5/1964	Duncan		
3,556,367 A		1/1971	Ikeda		
3,563,201 A		2/1971	Smith		
3,565,727 A		2/1971	Guest		
3,623,643 A		11/1971	Ikeda		
3,658,628 A		4/1972	Zenter		
3,669,070 A		6/1972	Wallace		
3,727,868 A		4/1973	Buchanan		
D227,175 S	*	6/1973	Finkel	D19/69
3,799,417 A		3/1974	Williams		
3,871,940 A		3/1975	Antonloni		
3,875,895 A		4/1975	Todd et al.		
3,895,059 A		7/1975	Link		
3,918,338 A		11/1975	Higbee		
3,968,915 A		7/1976	Schiecher		
3,987,752 A		10/1976	Miller		
4,012,273 A		3/1977	Inka		
4,026,757 A		5/1977	Crawford		
4,222,509 A		9/1980	Smith		
4,252,258 A		2/1981	Plummer, III		
4,262,835 A		4/1981	Wrobel		

DESCRIPTION

FIG. 1 is a perspective view of a hand-held tape dispenser according to the design;
FIG. 2 is a front view of the tape dispenser shown in FIG. 1;
FIG. 3 is a right side view of the tape dispenser shown in FIG. 1;
FIG. 4 is a rear view of the tape dispenser shown in FIG. 1;
FIG. 5 is a left side view of the tape dispenser shown in FIG. 1;
FIG. 6 is a top view of the tape dispenser shown in FIG. 1;
FIG. 7 is a bottom view of the tape dispenser shown in FIG. 1;
FIG. 8 is a perspective view of a variant of the tape dispenser according to the design; and,
FIG. 9 is a right side view of the variant of the tape dispenser shown in FIG. 8.
The tape role depicted by means of broken lines in FIGS. 1 and 8 has been shown for illustrative purposes only and forms no part of the claimed design.

1 Claim, 3 Drawing Sheets



US D502,508 S

Page 2

U.S. PATENT DOCUMENTS

4,729,810 A	3/1988	Brooks	5,228,612 A	7/1993	Kuo et al.
4,759,819 A	7/1988	Ingram	D342,092 S	* 12/1993	Samuelson et al. D19/67 X
4,762,586 A	8/1988	Wilkie	D342,093 S	* 12/1993	Samuelson D19/69
4,793,536 A	12/1988	Urushizaki	5,326,421 A	7/1994	Taylor
4,816,109 A	3/1989	Ingram	5,366,129 A	11/1994	Nakamura et al.
4,860,159 A	8/1989	Rodrigo	5,393,367 A	2/1995	Yu Chen
4,884,734 A	12/1989	Kahl, Jr. et al.	5,393,368 A	2/1995	Stevens
4,928,864 A	5/1990	Walker et al.	5,462,633 A	10/1995	Manusch et al.
4,961,525 A	10/1990	Corbo et al.	5,468,332 A	11/1995	Dretzka et al.
4,979,414 A	12/1990	Caveney et al.	5,472,560 A	12/1995	Hornig
D315,576 S	* 3/1991	En D19/69	5,595,626 A	1/1997	Yokouchi et al.
5,071,051 A	12/1991	Corbo et al.	5,634,580 A	6/1997	Levy
5,073,228 A	12/1991	Lin	5,641,109 A	6/1997	Willoughby
5,083,717 A	* 1/1992	Samuelson et al. 206/411 X	5,641,377 A	6/1997	Chung et al.
5,094,710 A	3/1992	Sokolovsky	5,676,298 A	10/1997	Shing-Tak Lam
5,129,515 A	7/1992	Rutt et al.	5,714,035 A	2/1998	Stevens
5,171,397 A	12/1992	Arnold	5,736,001 A	4/1998	Samuelson
5,174,850 A	12/1992	Stefan	D407,115 S	* 3/1999	Baker et al. D19/67 X
5,213,653 A	5/1993	Akahori et al.	6,460,800 B1	* 10/2002	Watanabe et al. 242/598.5
5,215,240 A	6/1993	Berg et al.			

* cited by examiner

FIG.1

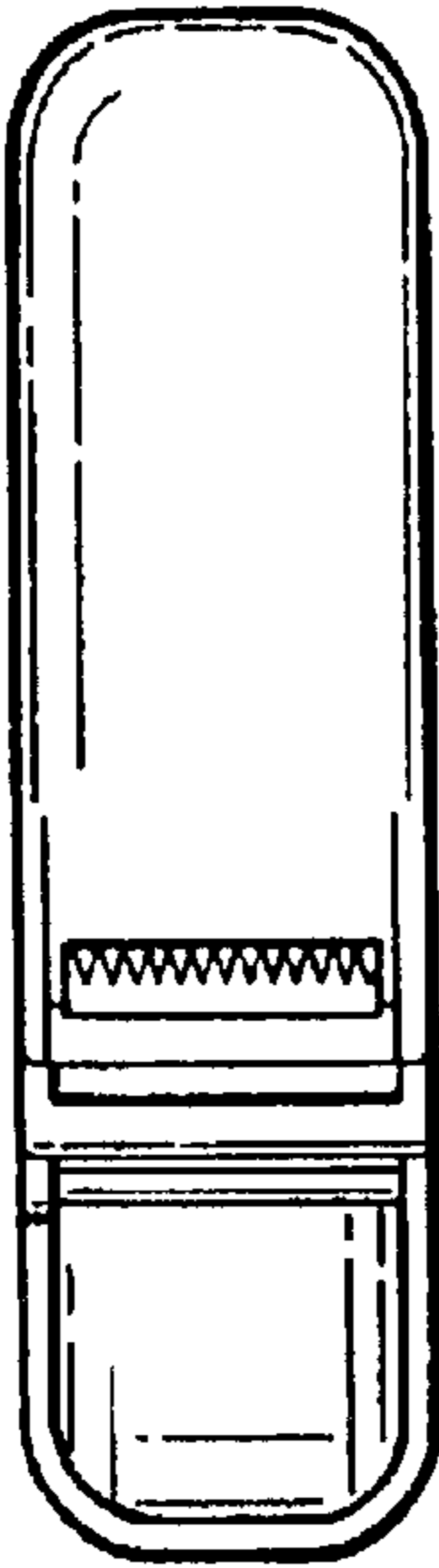
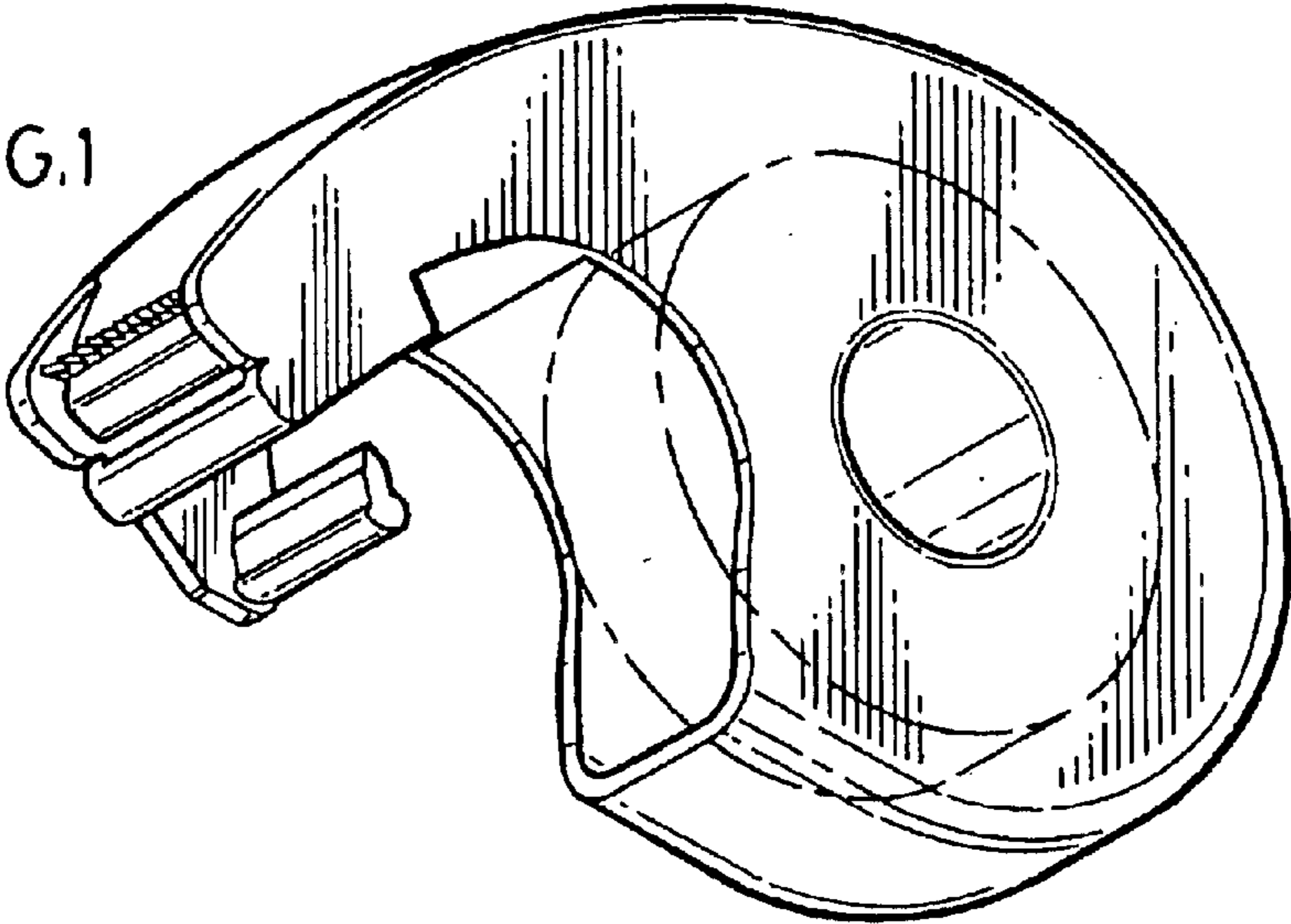


FIG.2

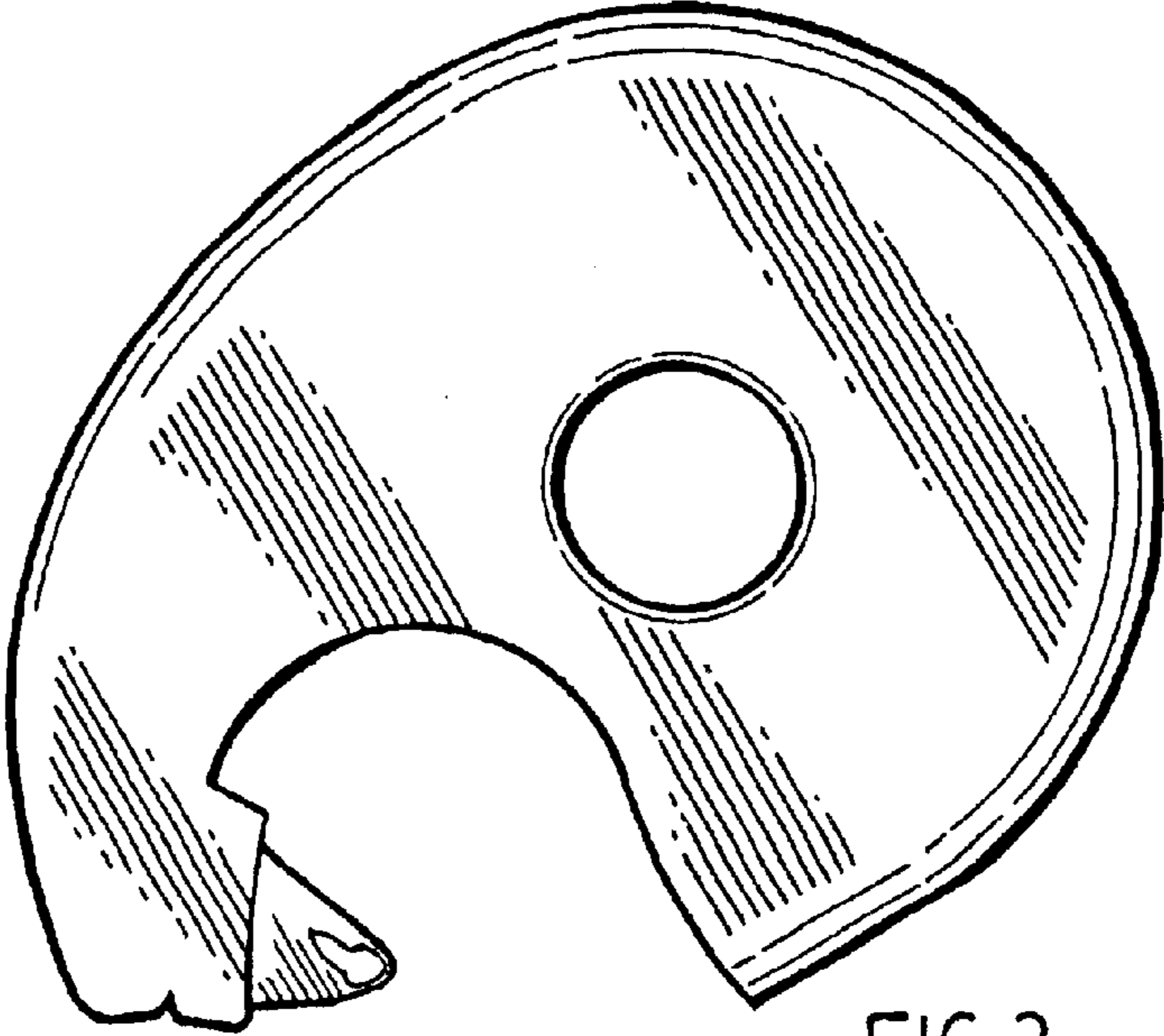


FIG 3

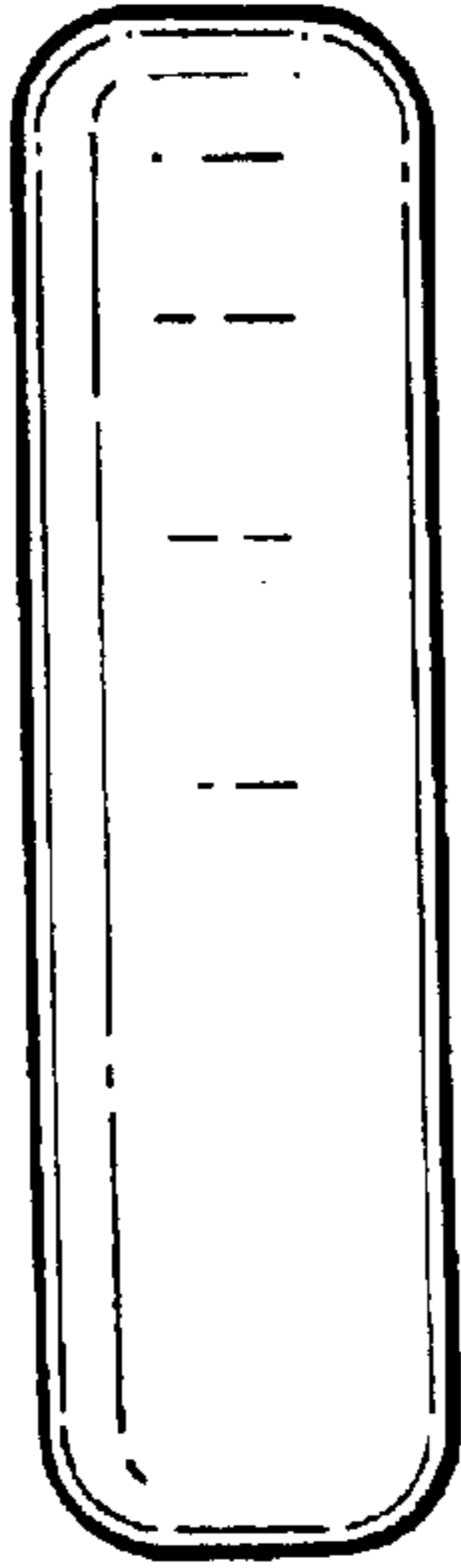


FIG. 4

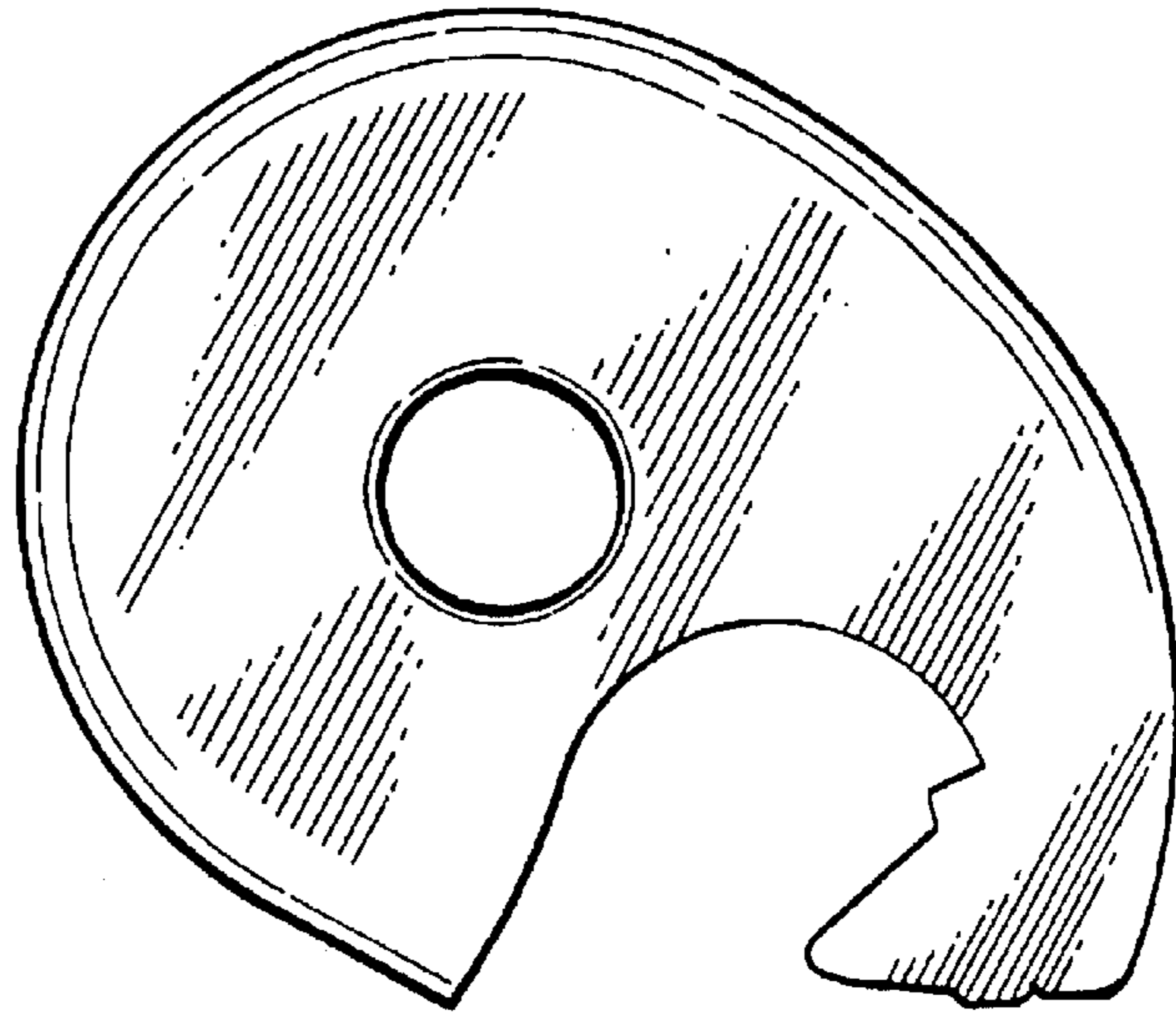


FIG. 5

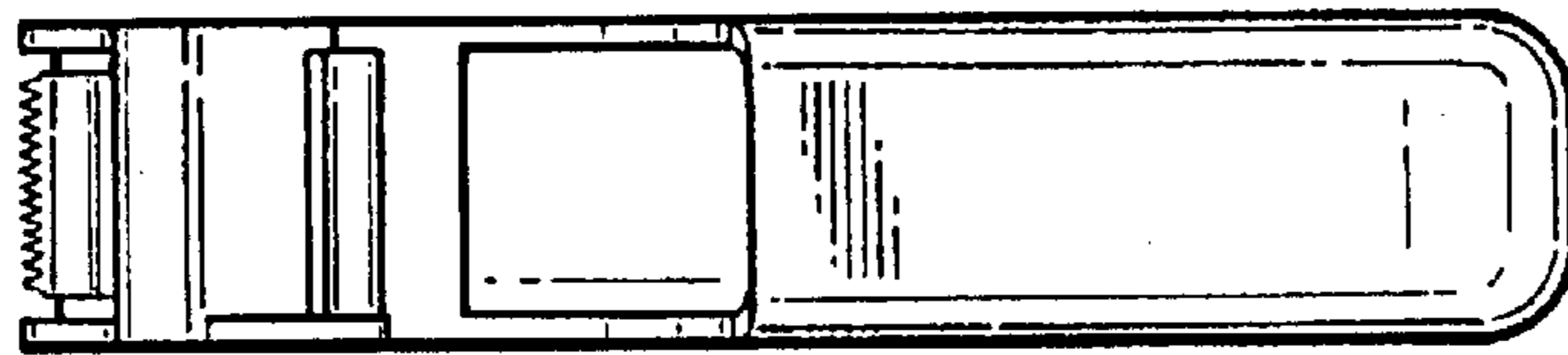


FIG. 6

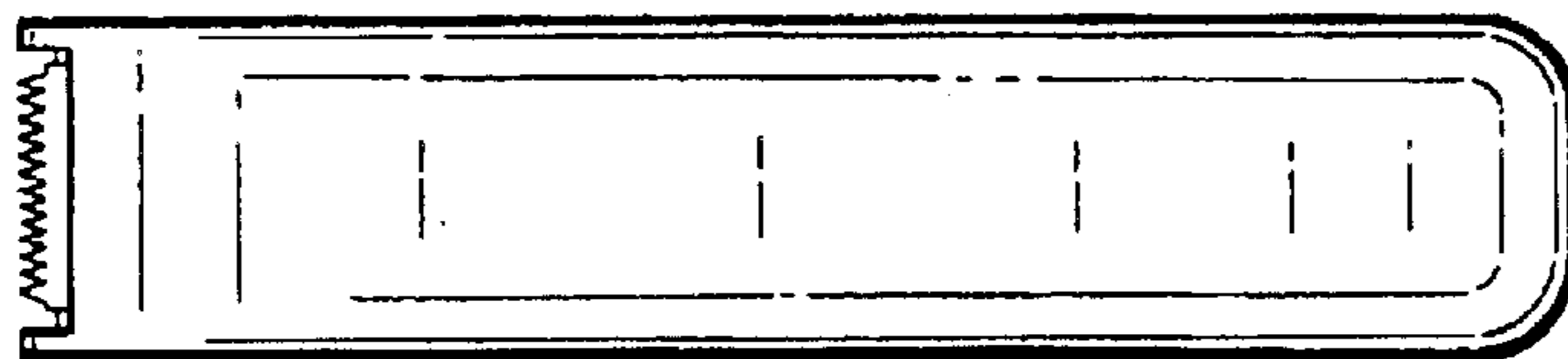


FIG. 7

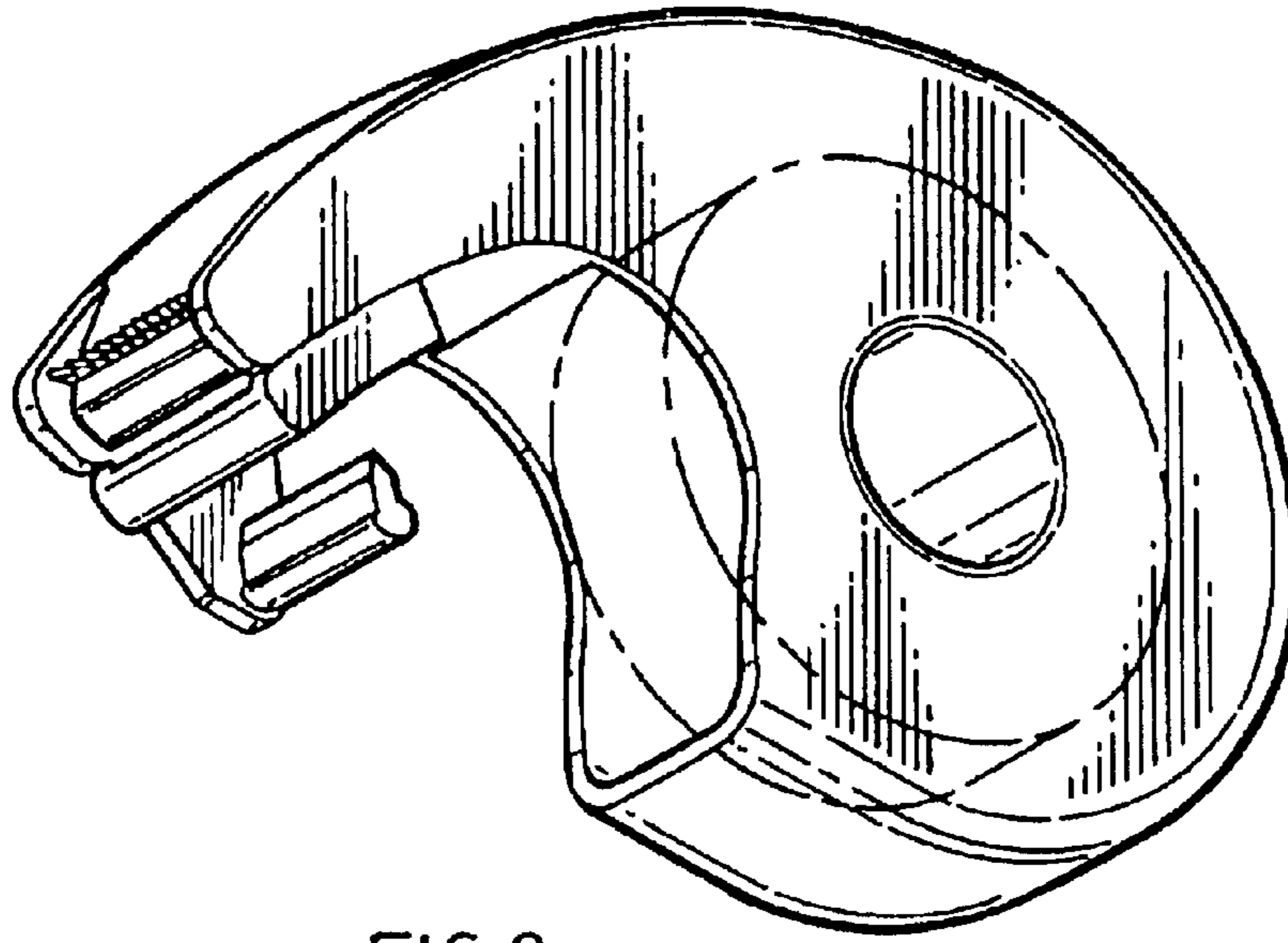


FIG. 8

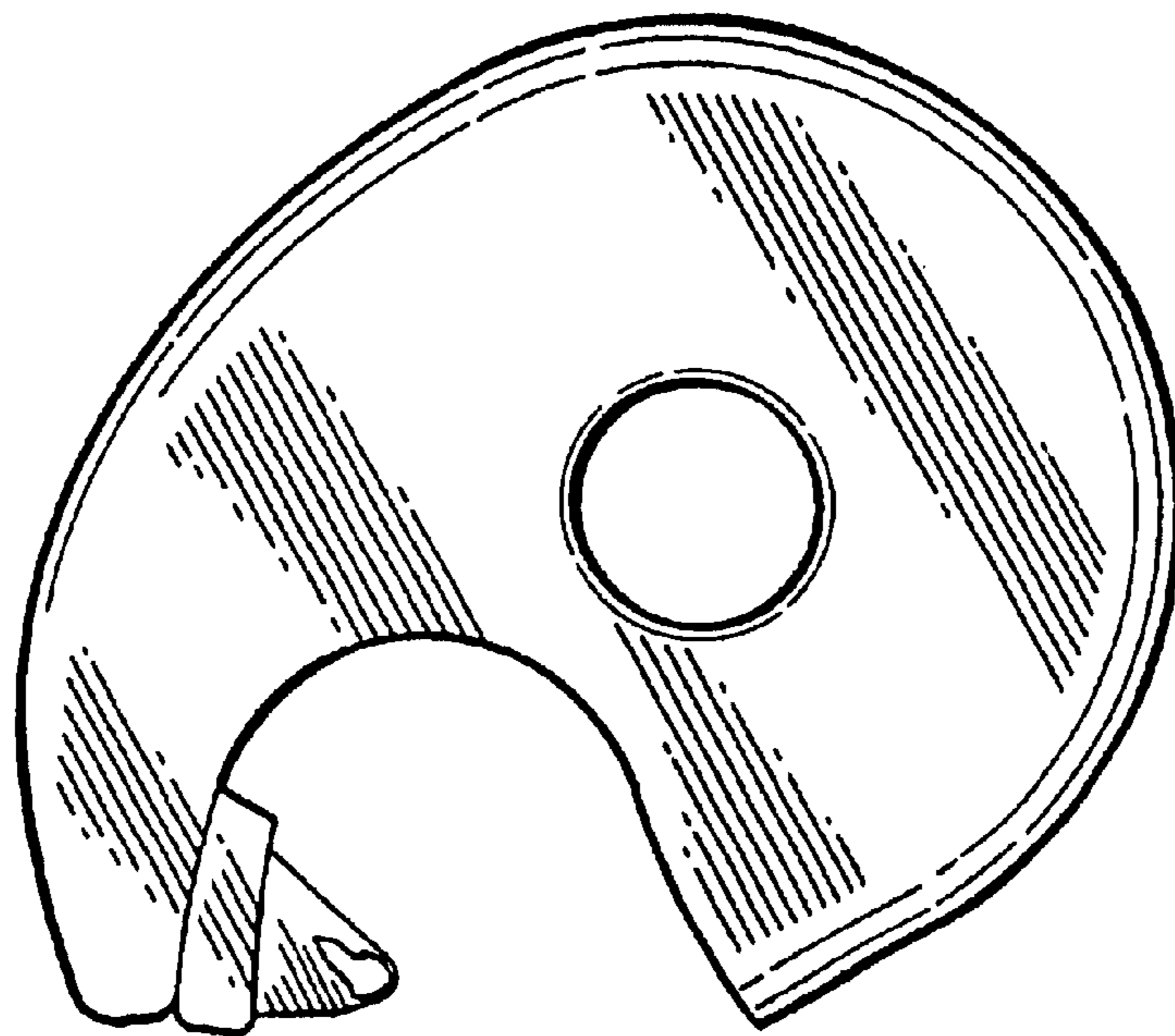


FIG. 9