

US00D502504S

(12) **United States Design Patent**  
**Goldberg**

(10) **Patent No.:** **US D502,504 S**  
(45) **Date of Patent:** **\*\* Mar. 1, 2005**

(54) **WRITING IMPLEMENT WITH CARABINER**

(76) **Inventor:** **Edward Goldberg**, 501 Reis Ave.,  
Teaneck, NJ (US) 07666

(\*\*) **Term:** **14 Years**

(21) **Appl. No.:** **29/179,765**

(22) **Filed:** **Apr. 15, 2003**

(51) **LOC (7) Cl.** ..... **19-06**

(52) **U.S. Cl.** ..... **D19/36; D19/46; D19/54;**  
**D8/356**

(58) **Field of Search** ..... **D19/35, 36, 41-51,**  
**D19/53-58, 81-85; 401/52, 195; D8/356,**  
**383, 367, 370; D3/208-211; 24/573.5, 583.1,**  
**598.1, 599.5, 11 M, 600.1; D11/164; 70/456 R,**  
**459; 224/255**

(56) **References Cited**

**U.S. PATENT DOCUMENTS**

803,839	A	*	11/1905	Merrill	.....	70/459
RE32,656	E	*	4/1988	Bellavance	.....	401/104
4,765,767	A		8/1988	Marynissen et al.	.....	401/213
D300,087	S	*	3/1989	Henderson	.....	D3/209
4,833,902	A	*	5/1989	Mori	.....	70/456 R
D332,625	S	*	1/1993	LaPerche	.....	D19/44
5,270,909	A		12/1993	Weiss et al.	.....	362/208
5,463,798	A		11/1995	Wurzer	.....	24/599.5
D407,212	S	*	3/1999	Molaro	.....	D3/211

6,223,372	B1		5/2001	Barber	.....	7/118
D449,857	S	*	10/2001	Rosenbaum	.....	D19/44
D468,770	S	*	1/2003	Rosenbaum	.....	D19/44
D470,393	S	*	2/2003	Kelleghan	.....	D8/356
D473,781	S	*	4/2003	Kelleghan	.....	D8/356
D474,239	S	*	5/2003	Rosenbaum	.....	D19/44
D490,296	S	*	5/2004	Shaljian	.....	D8/356

\* cited by examiner

*Primary Examiner*—Martie K. Holtje

(74) *Attorney, Agent, or Firm*—Kaplan & Gilman, LLP

(57) **CLAIM**

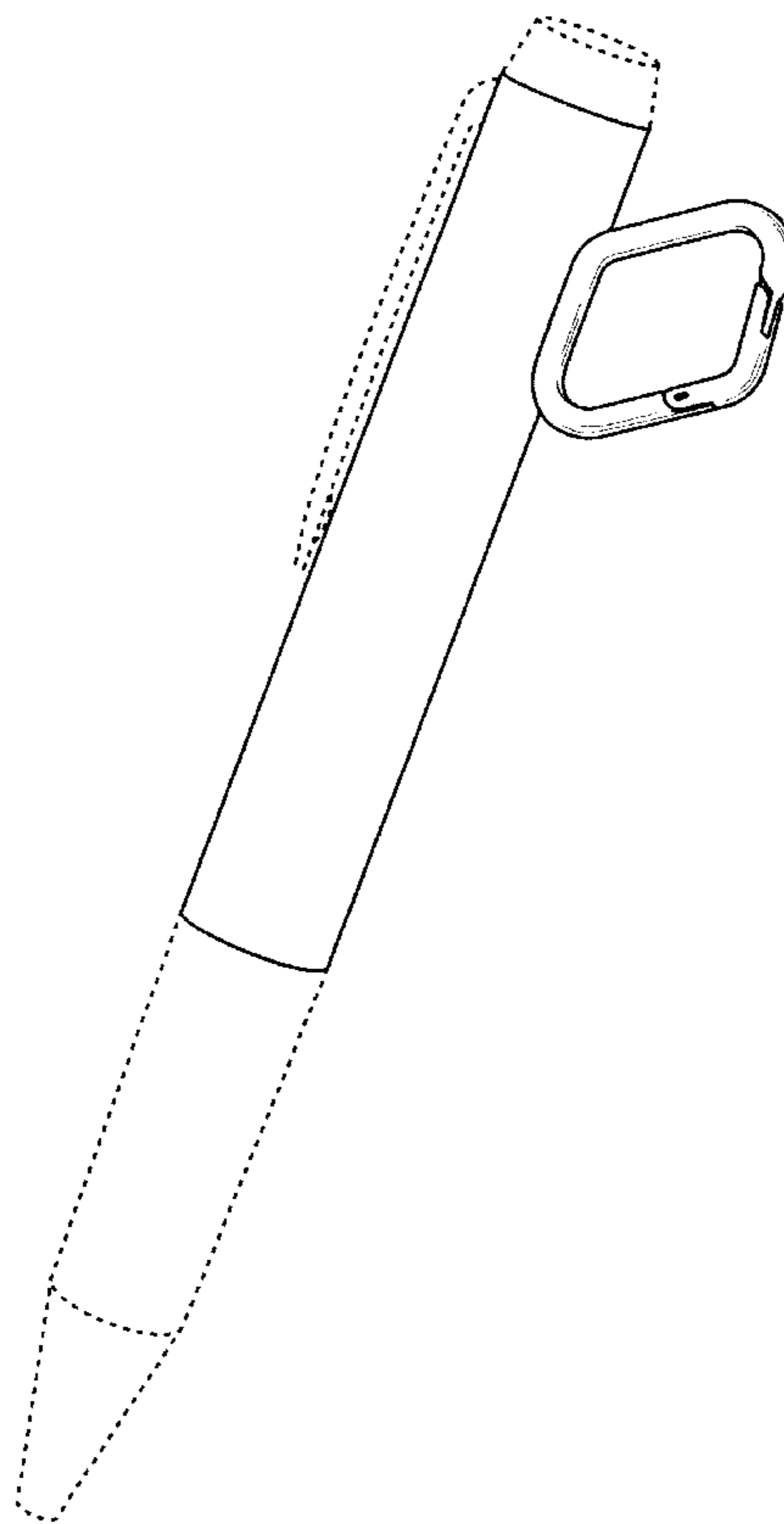
The ornamental design for a writing implement with carabiner, as shown and described.

**DESCRIPTION**

FIG. 1 is a perspective view of the writing implement with carabiner according to my design;  
FIG. 2 is a front elevational view thereof;  
FIG. 3 is a left side elevational view thereof;  
FIG. 4 is a right side elevational view thereof;  
FIG. 5 is a top plan view thereof;  
FIG. 6 is a bottom plan view thereof; and,  
FIG. 7 is a perspective view of a second embodiment of my design of FIG. 1.

The broken lines shown on the drawings are for illustrative purposes only and form no part of the claimed design.

**1 Claim, 3 Drawing Sheets**



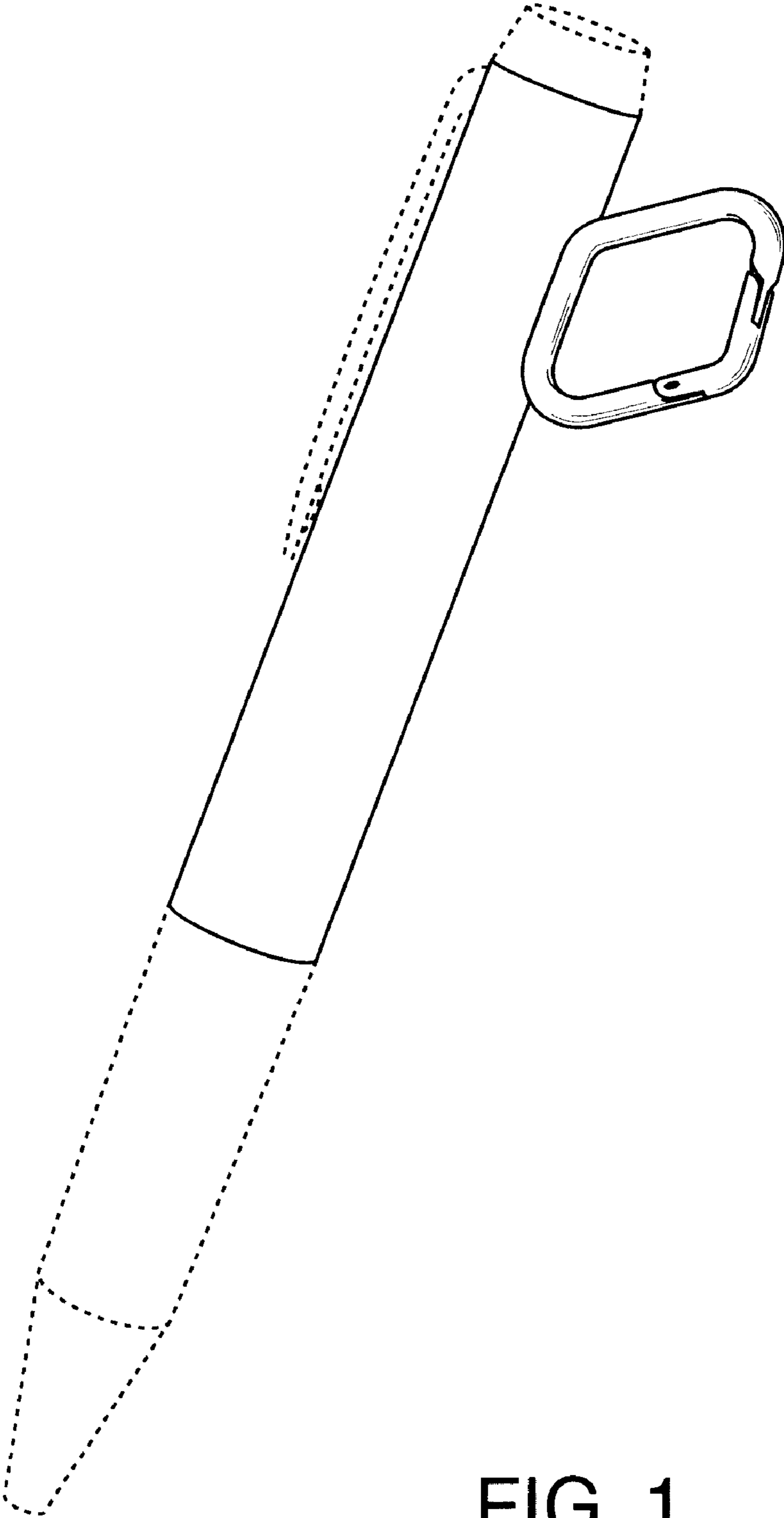


FIG. 1

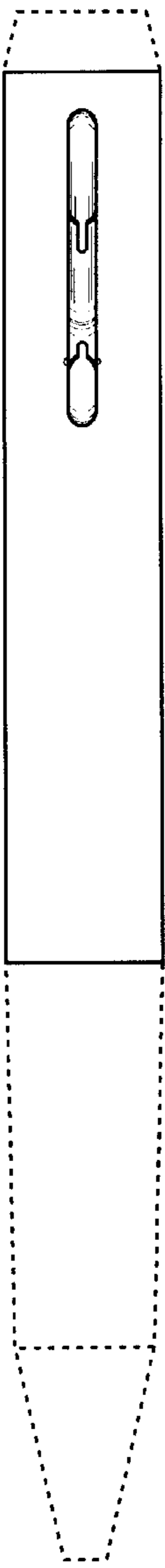


FIG. 2

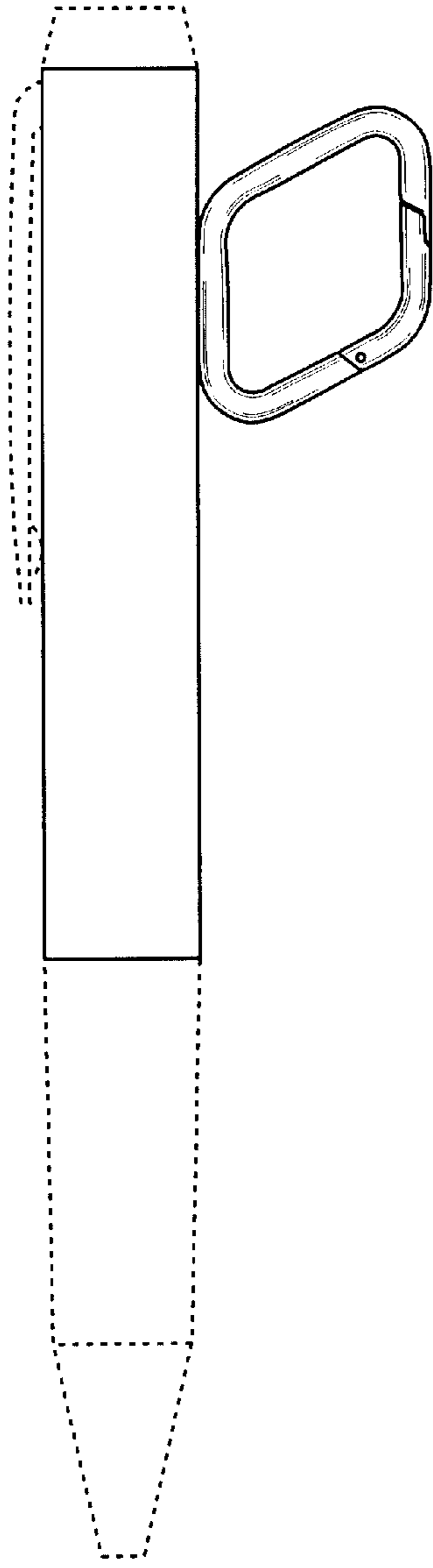


FIG. 3

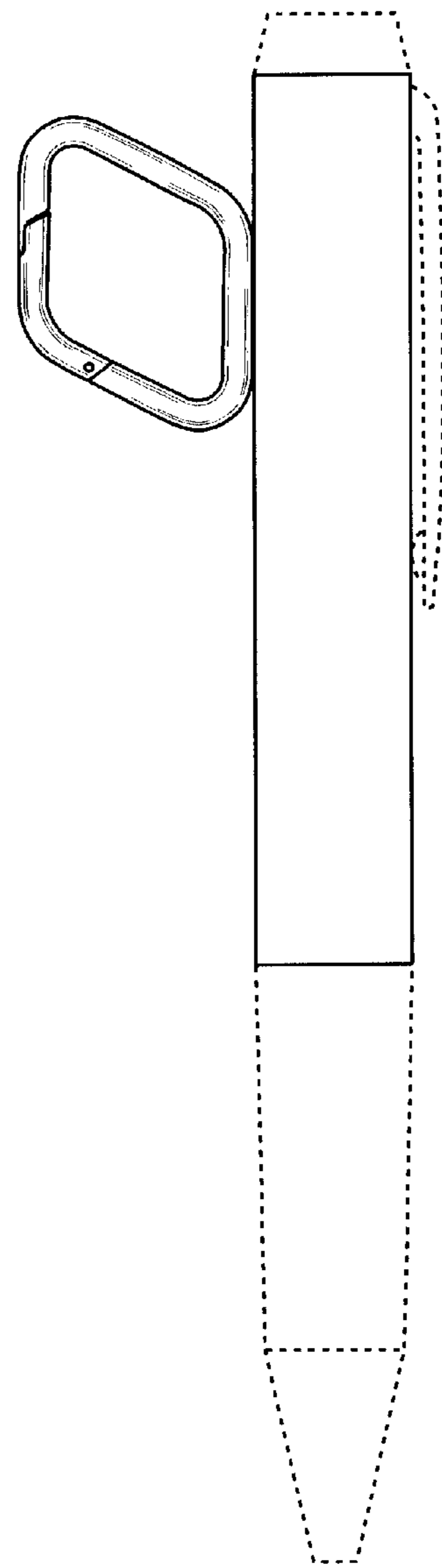


FIG. 4

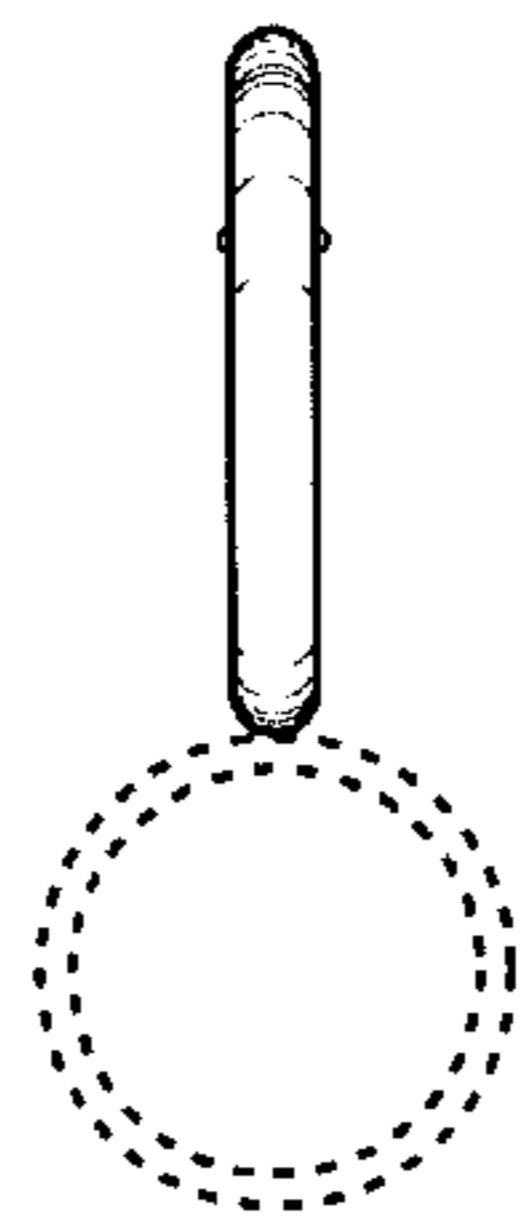


FIG. 5

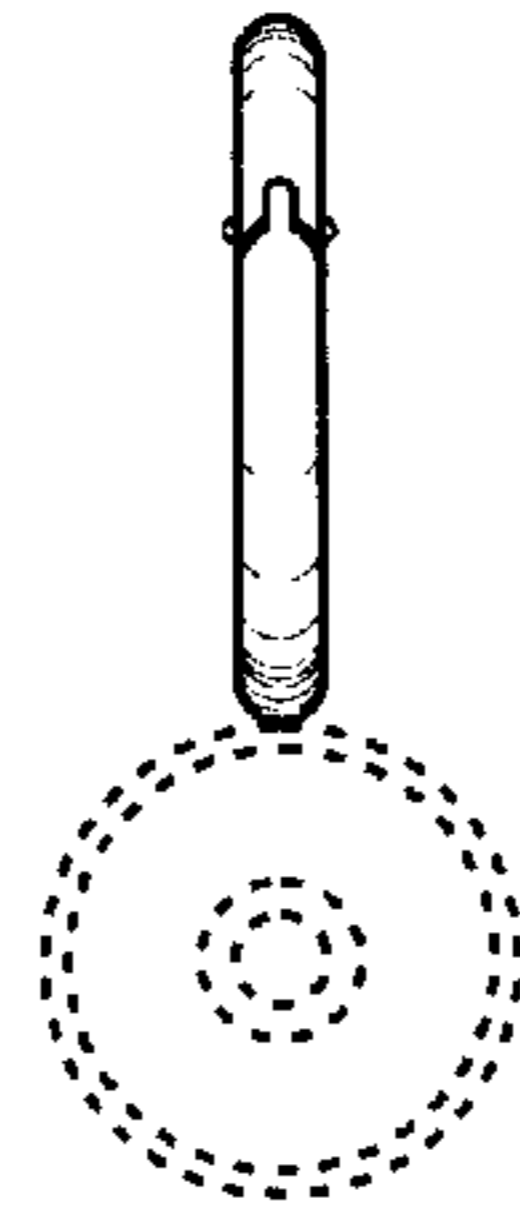


FIG. 6

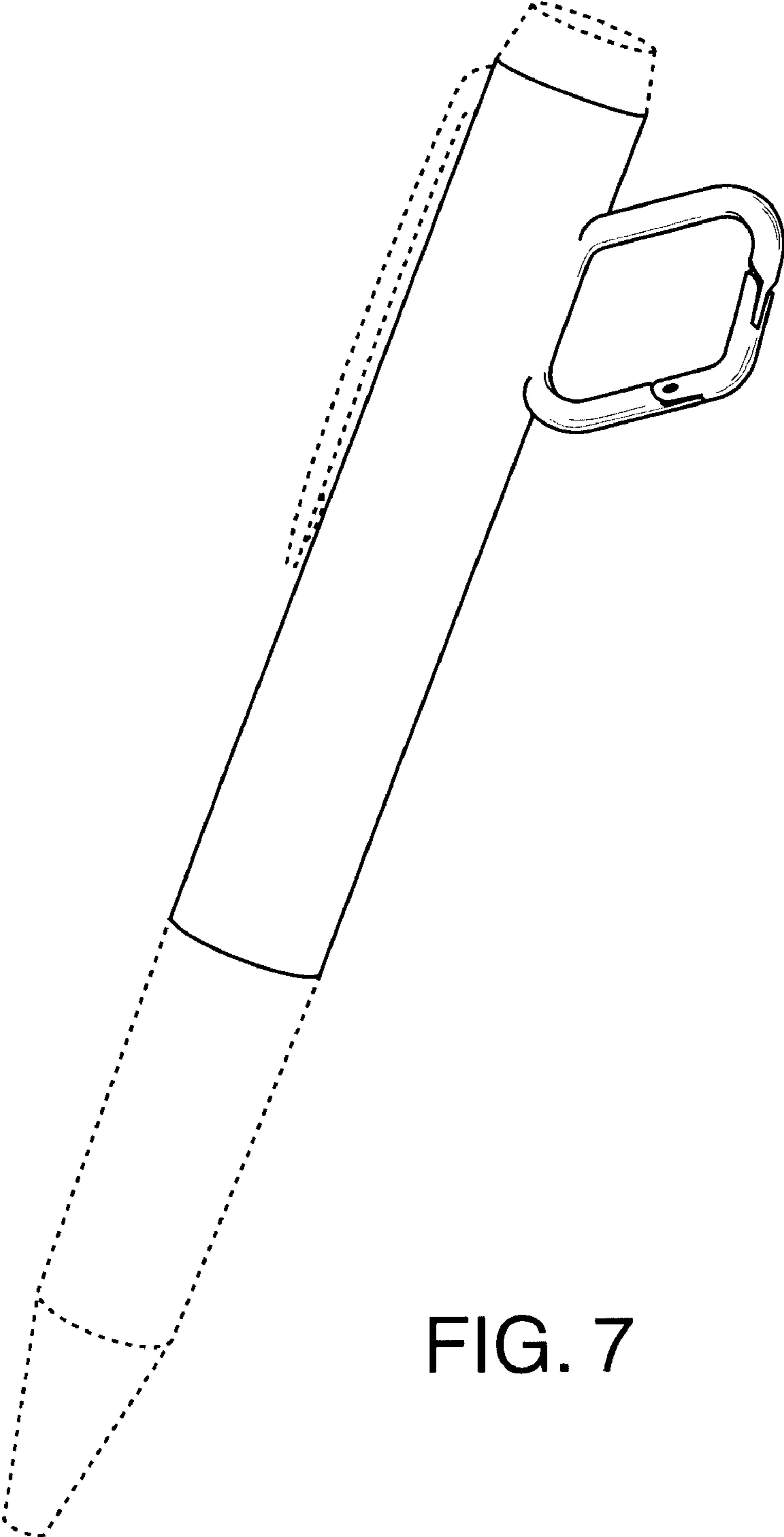


FIG. 7