

US00D502499S

(12) **United States Design Patent**  
**Mitani et al.**

(10) **Patent No.:** **US D502,499 S**  
(45) **Date of Patent:** **\*\* Mar. 1, 2005**

(54) **PAPER RECEIVING TRAY**

(75) Inventors: **Kouki Mitani**, Tokyo (JP); **Tadayuki Wakatabi**, Tokyo (JP)

(73) Assignee: **Riso Kagaku Corporation** (JP)

(\*\*) Term: **14 Years**

(21) Appl. No.: **29/196,209**

(22) Filed: **Dec. 23, 2003**

(30) **Foreign Application Priority Data**

Jun. 27, 2003 (JP) ..... D2003-018511  
Jun. 27, 2003 (JP) ..... D2003-018520

(51) **LOC (7) Cl.** ..... **18-99**

(52) **U.S. Cl.** ..... **D18/49; D18/46**

(58) **Field of Search** ..... D18/36-50, 53-56;  
D3/304, 307, 309, 314, 318; D6/474; D14/462-471;  
D19/90-92; 211/50, 88.1, 126.1, 126.7,  
133.6, 133.1; 220/559, 729, 732, 890; 222/160,  
162, 173, 197, 425.5, 454, 575; 232/27,  
30, 39, 1 R, 1 E; 248/444.1; 271/207; 358/400-402,  
305; 399/393, 405, 411; 400/613.2, 646;  
451/451, 453

(56) **References Cited**

**U.S. PATENT DOCUMENTS**

D213,228 S \* 1/1969 Jones et al. .... D18/36  
D237,652 S \* 11/1975 McClare ..... D18/39  
D260,903 S \* 9/1981 Overman ..... D18/36  
D337,126 S \* 7/1993 Martin ..... D18/49  
D370,026 S \* 5/1996 McGlashan ..... D18/55  
D434,434 S \* 11/2000 Short et al. .... D18/36

D434,794 S \* 12/2000 Bokelman et al. .... D18/56  
D489,755 S \* 5/2004 Wong et al. .... D18/55

\* cited by examiner

*Primary Examiner*—Caron D. Veynar

(74) *Attorney, Agent, or Firm*—SAIDMAN DesignLaw Group

(57) **CLAIM**

The ornamental design for a paper receiving tray, as shown and described.

**DESCRIPTION**

FIG. 1 is a perspective view of a paper receiving tray of our first embodiment;

FIG. 2 is a front view thereof;

FIG. 3 is a top plan view thereof;

FIG. 4 is a left side view thereof;

FIG. 5 is an enlarged view thereof taken at line 5-5;

FIG. 6 is a right side view thereof;

FIG. 7 is the opposite side view of an enlarged view in FIG. 5;

FIG. 8 is a bottom view thereof;

FIG. 9 is a perspective view of a paper receiving tray of our second embodiment;

FIG. 10 is a front view thereof;

FIG. 11 is a top plan view thereof;

FIG. 12 is a left side view thereof;

FIG. 13 is an enlarged view thereof taken at line 13-13;

FIG. 14 is a right side view thereof; and,

FIG. 15 is a bottom view thereof.

The broken lines shown in the views are for illustrative purposes only and form no part of the claimed design.

**1 Claim, 8 Drawing Sheets**

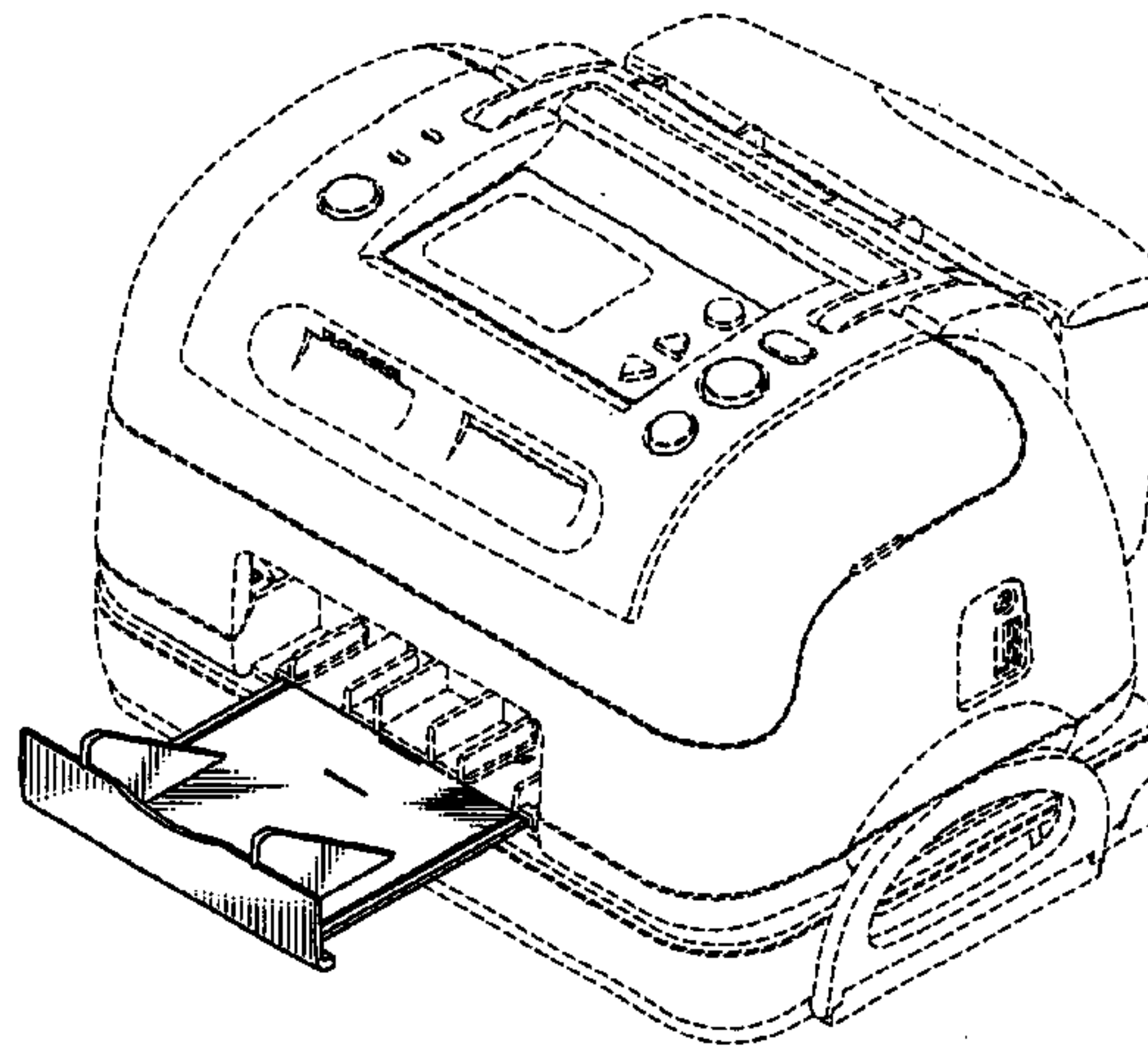
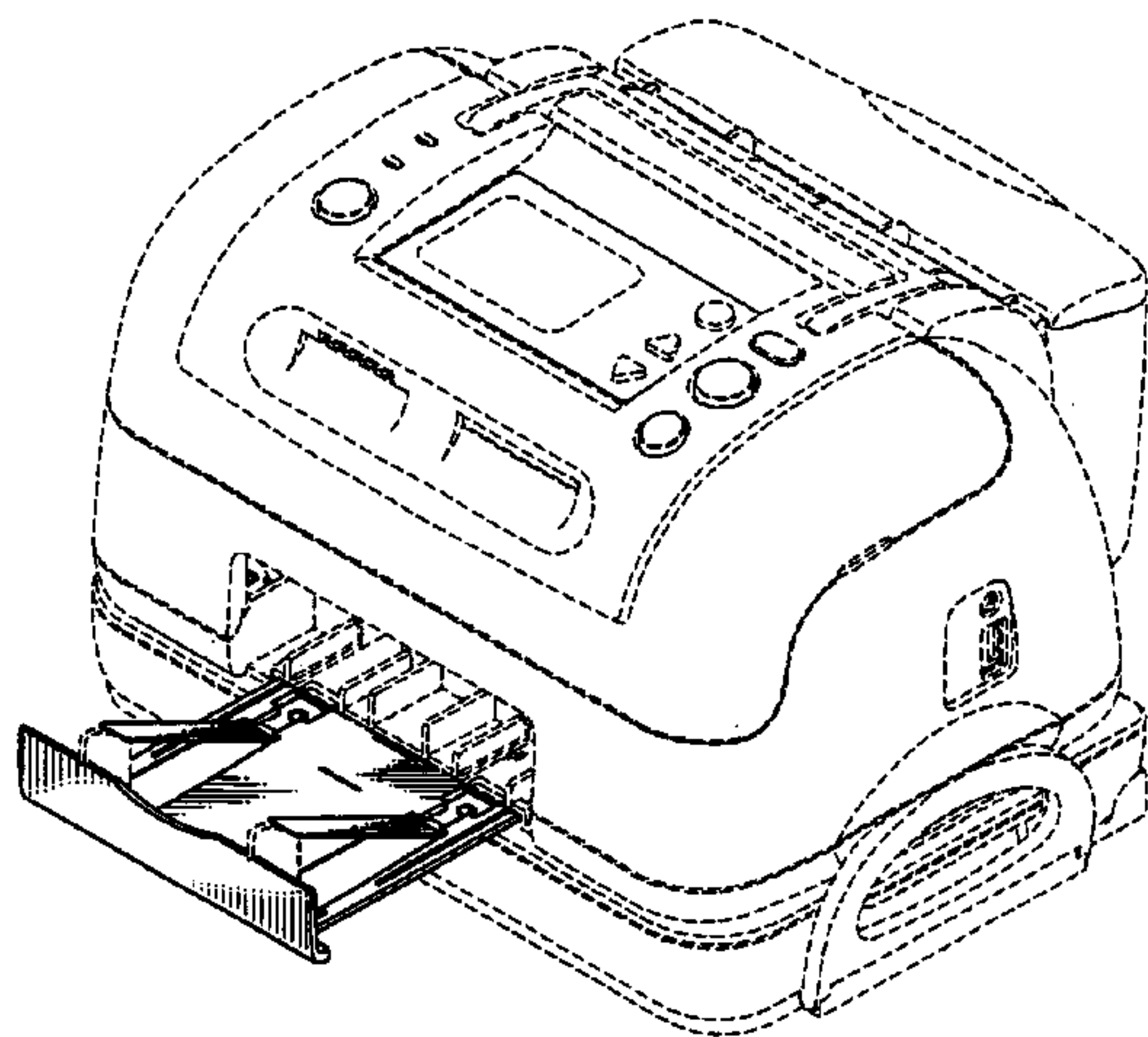


Fig.1

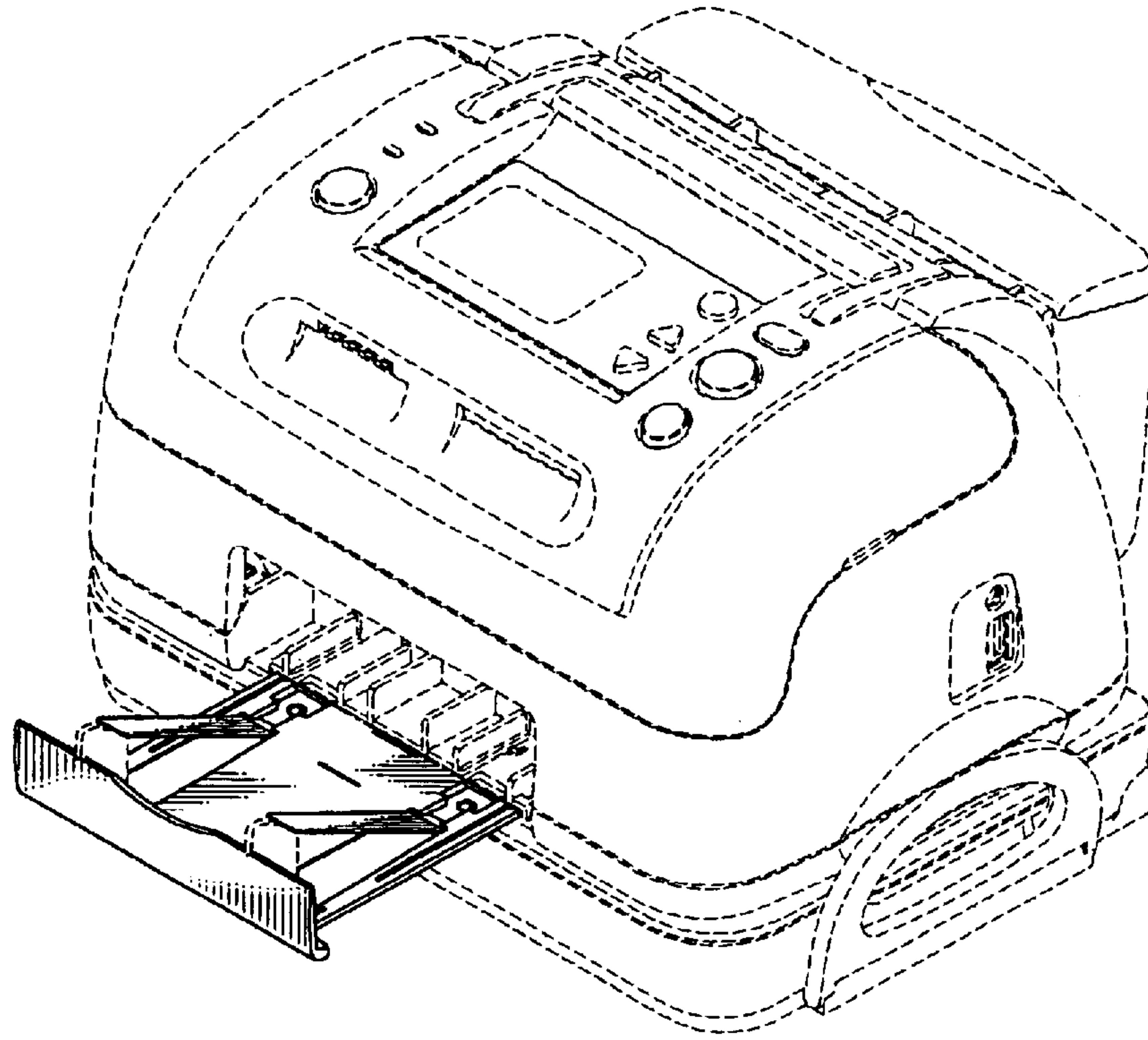


Fig.2

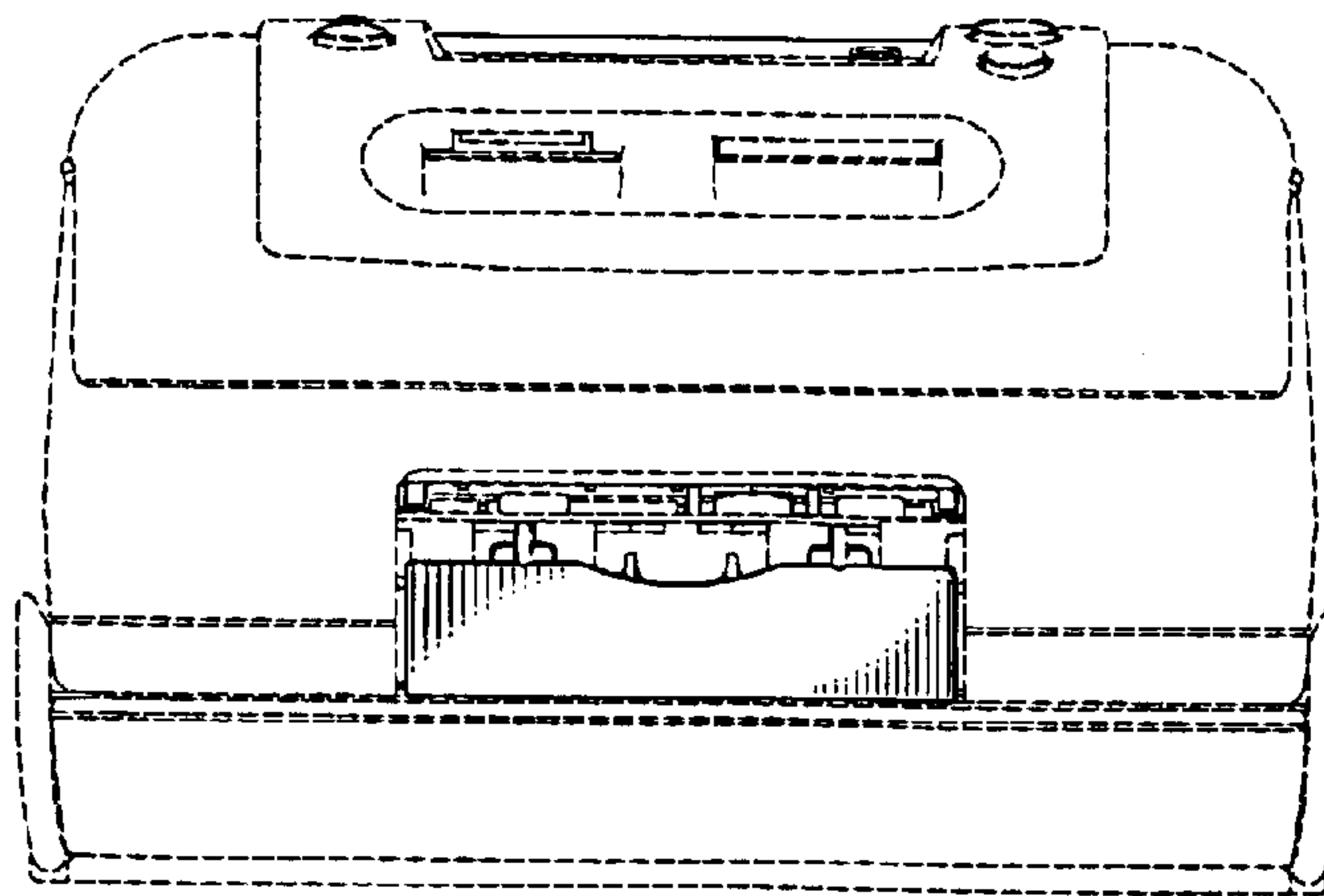


Fig.3

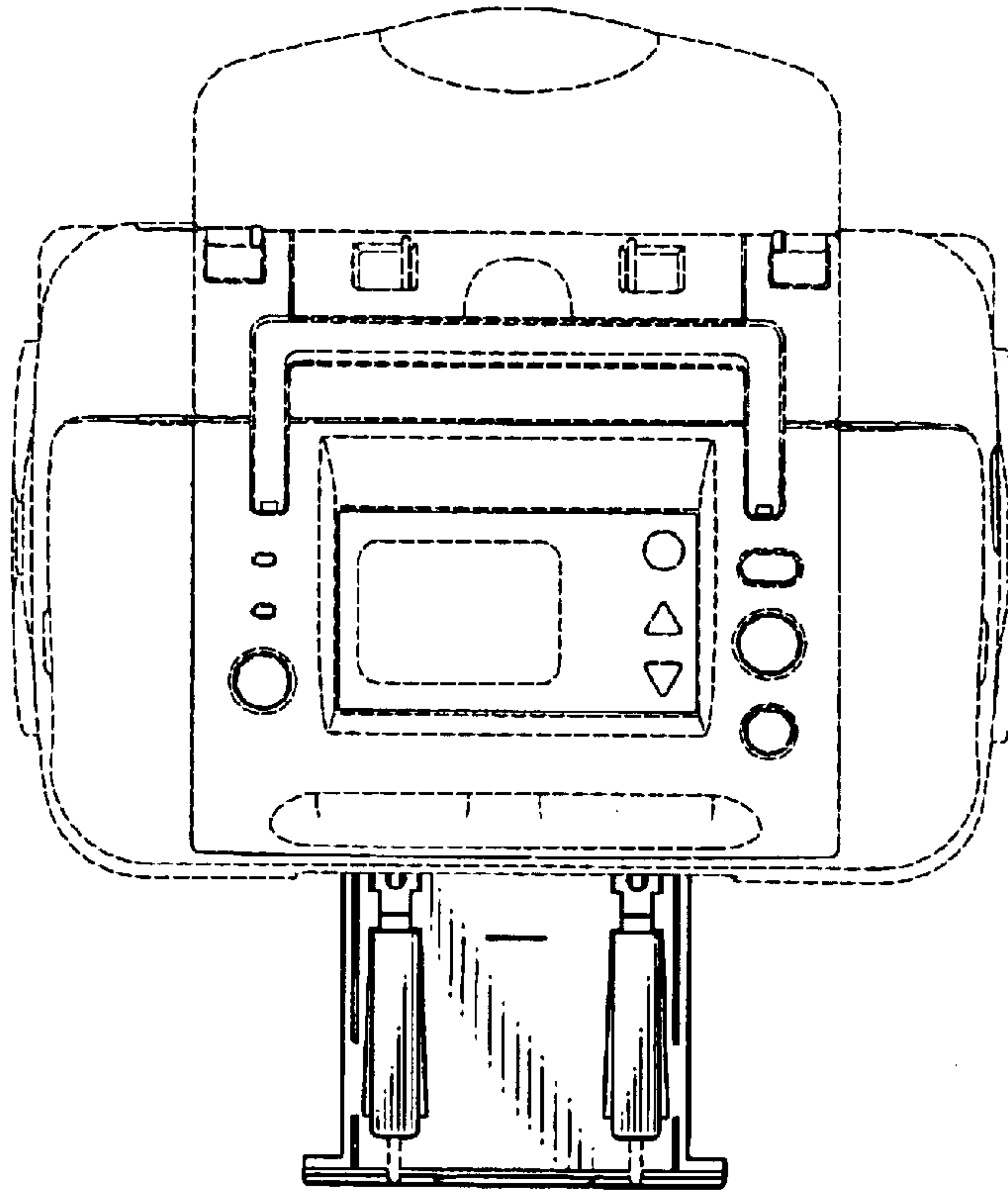


Fig.4

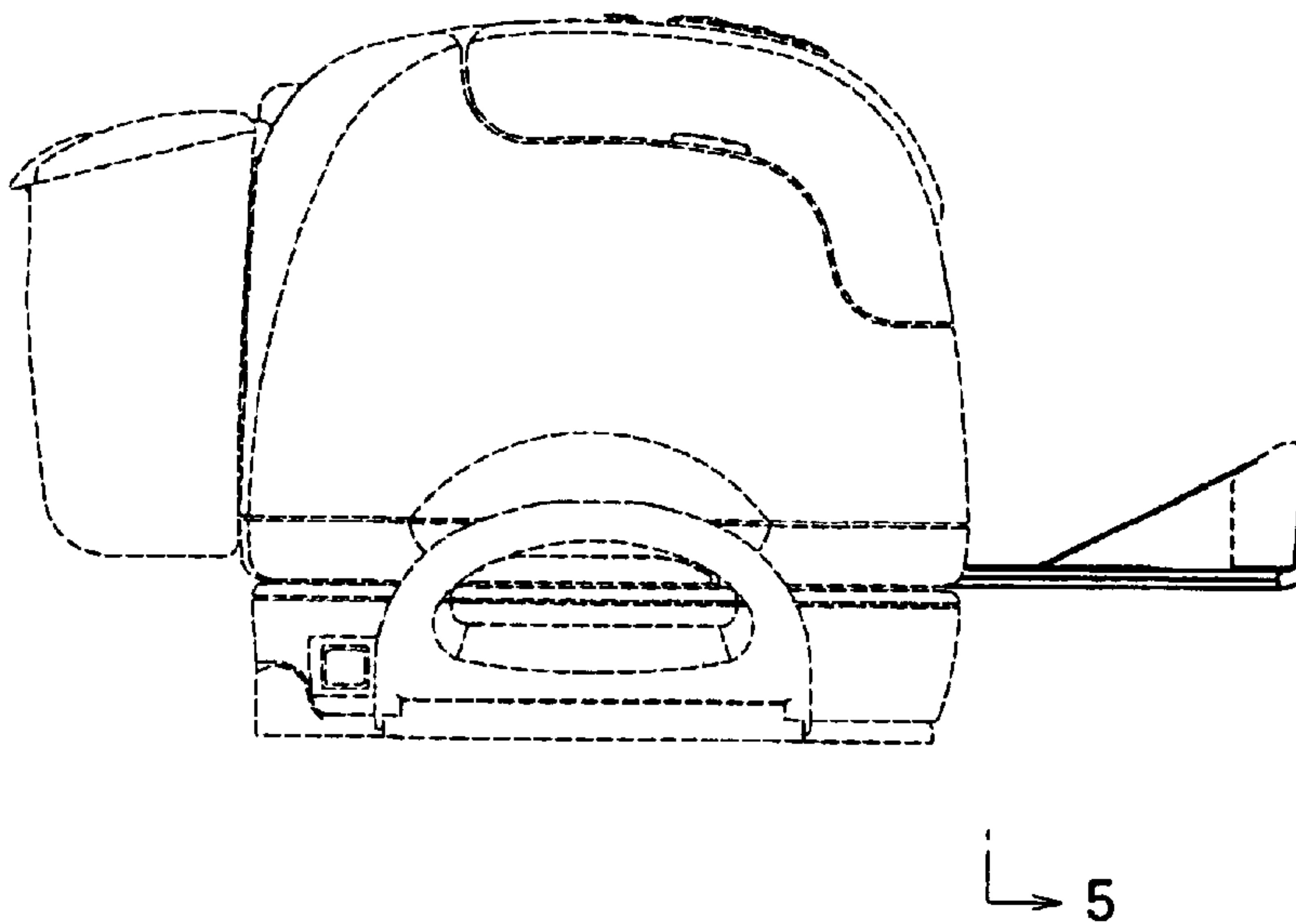


Fig.5

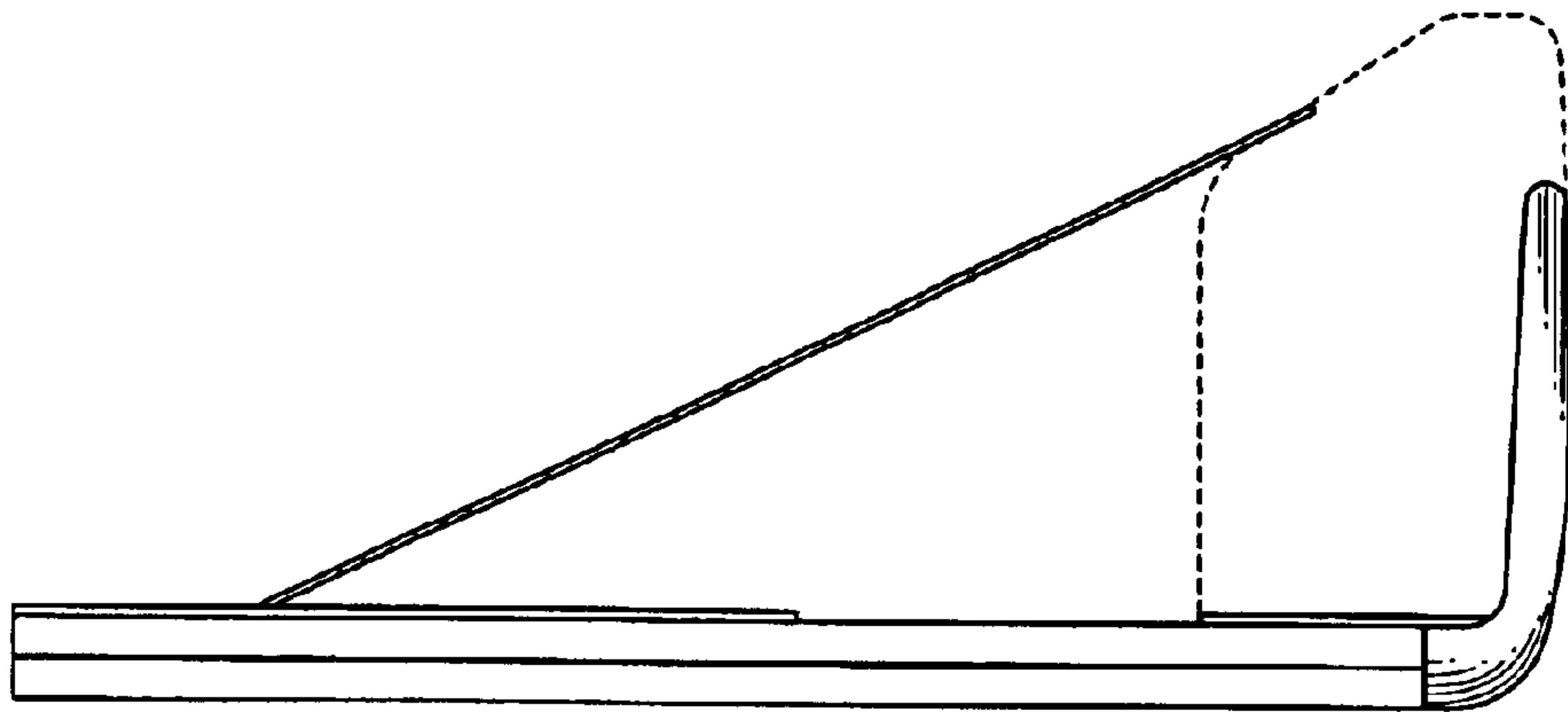


Fig.6

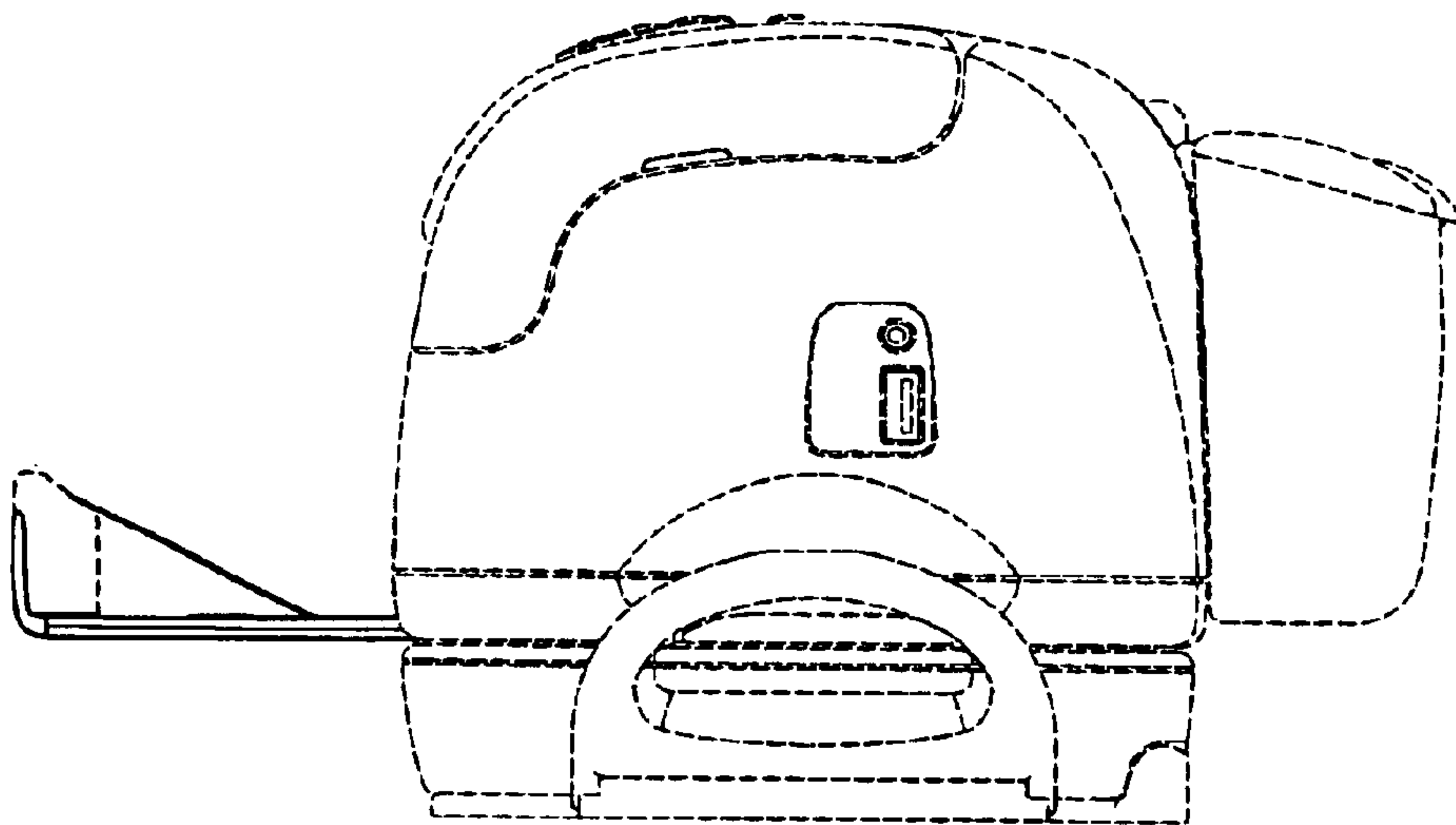




Fig.7

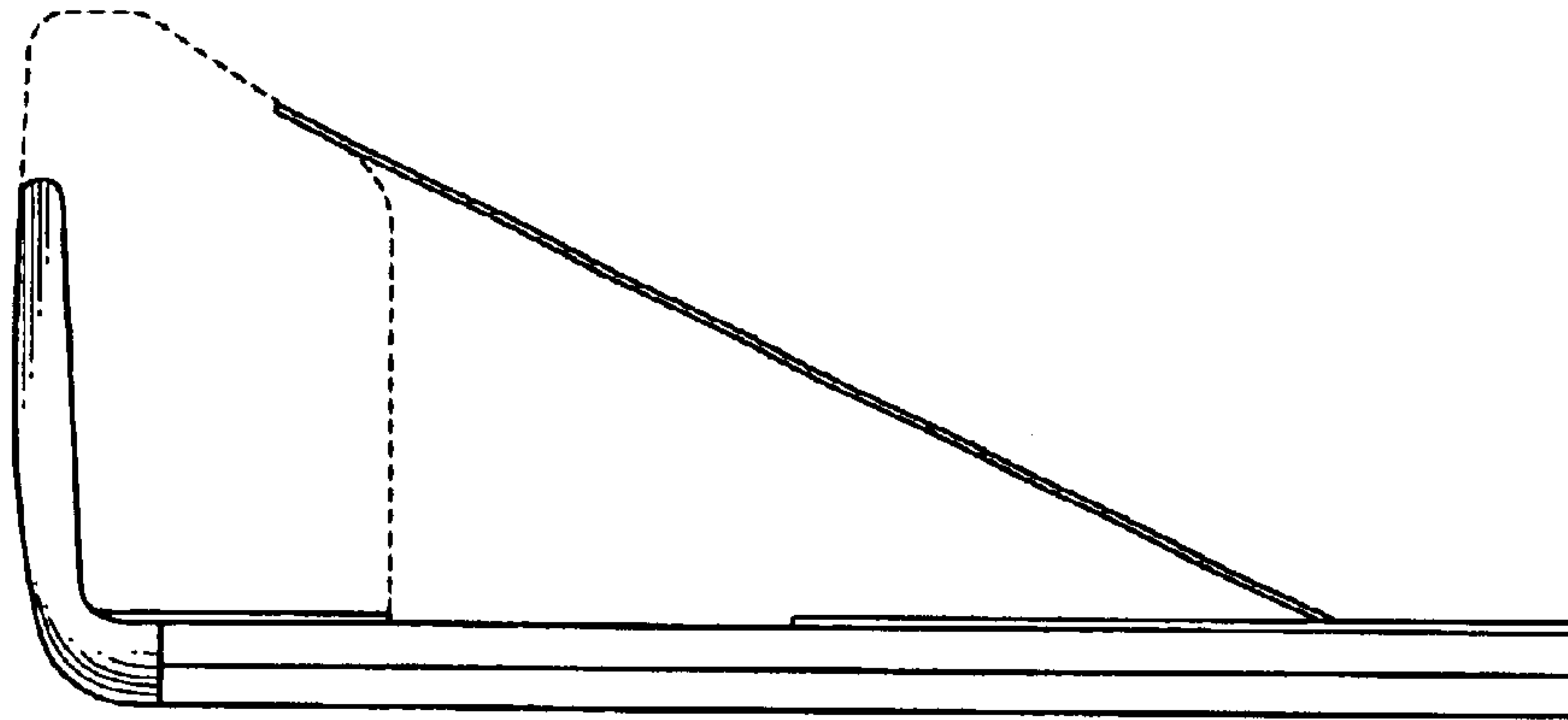


Fig.8

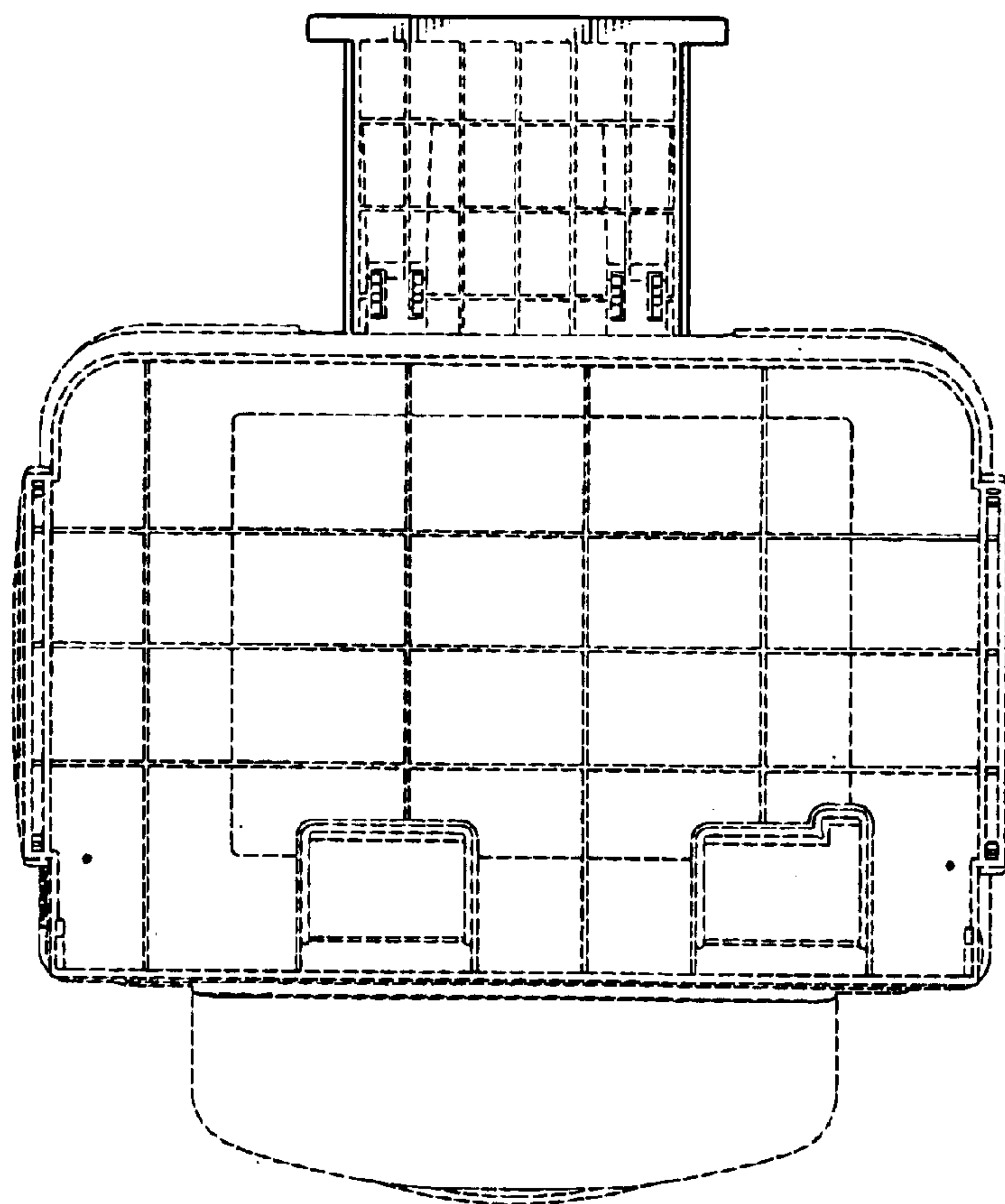


Fig.9

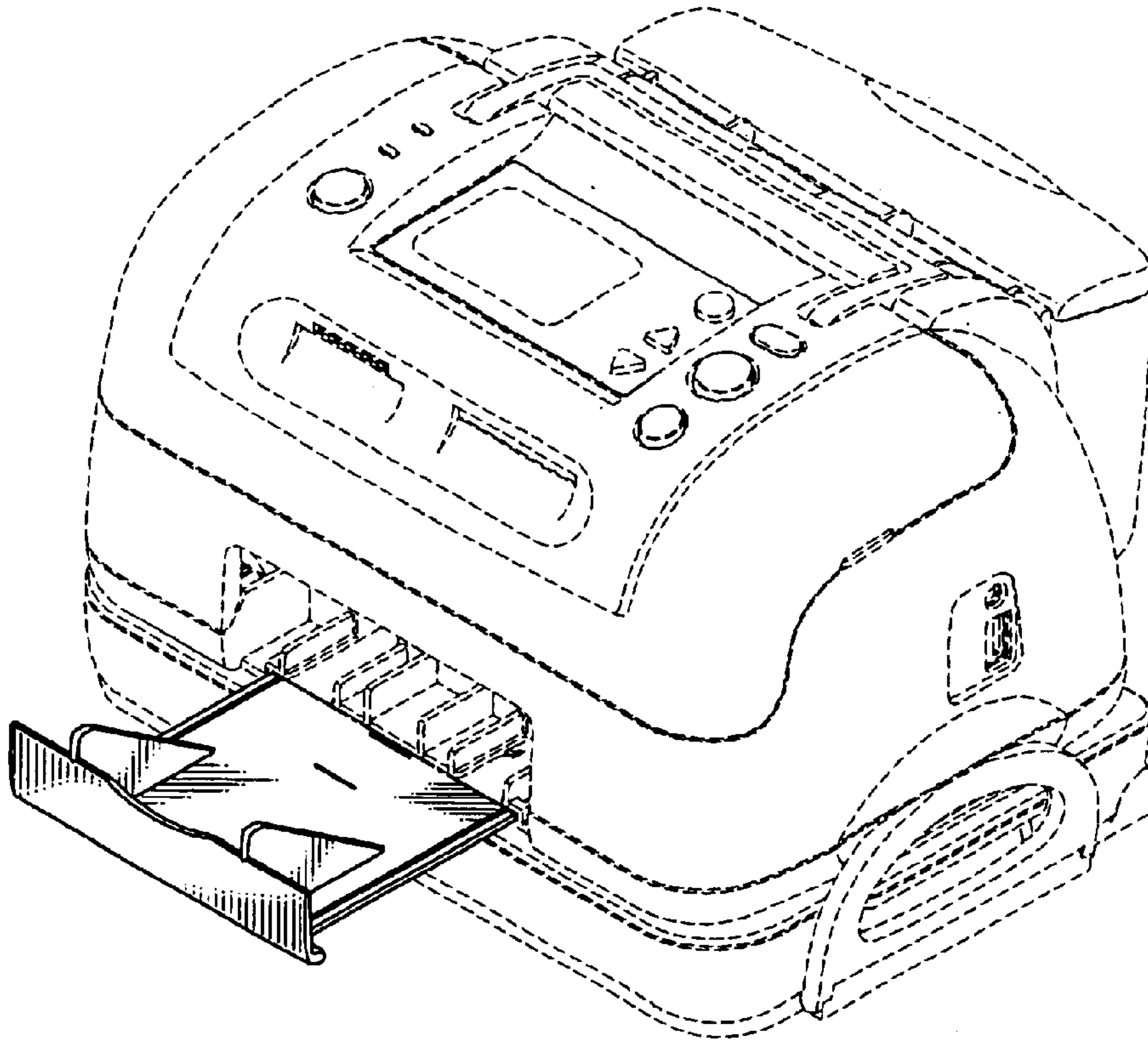


Fig.10

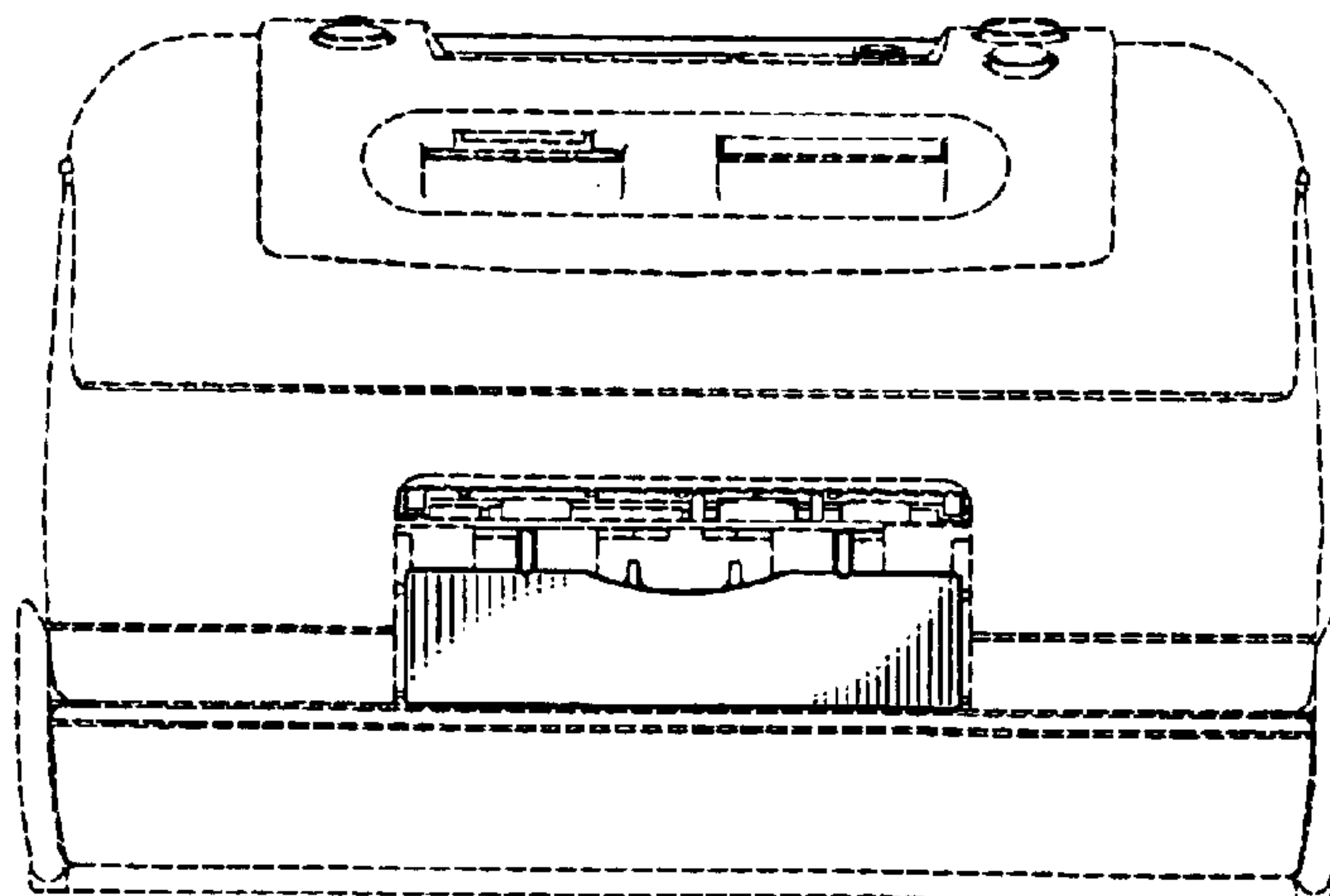


Fig. 11

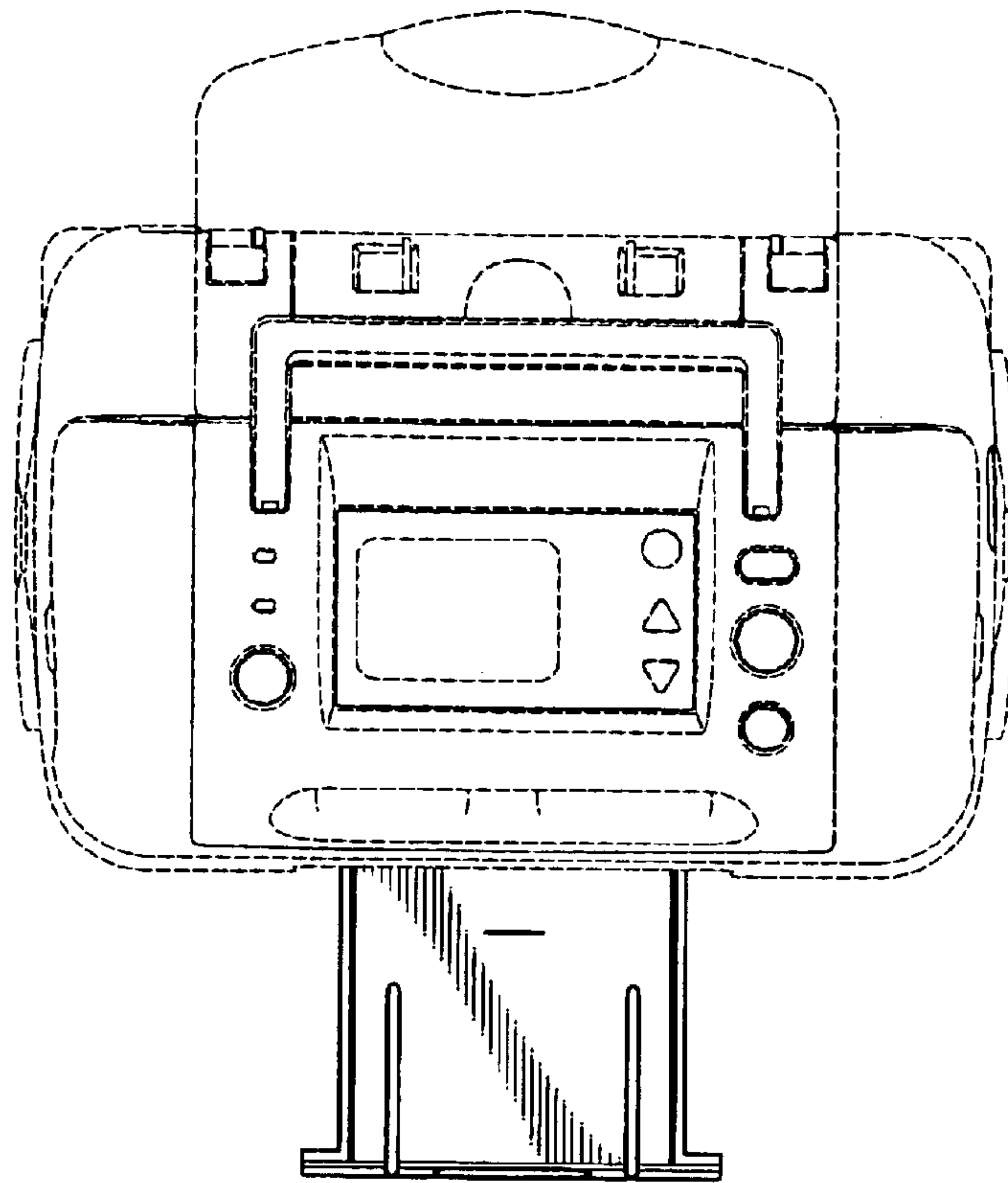
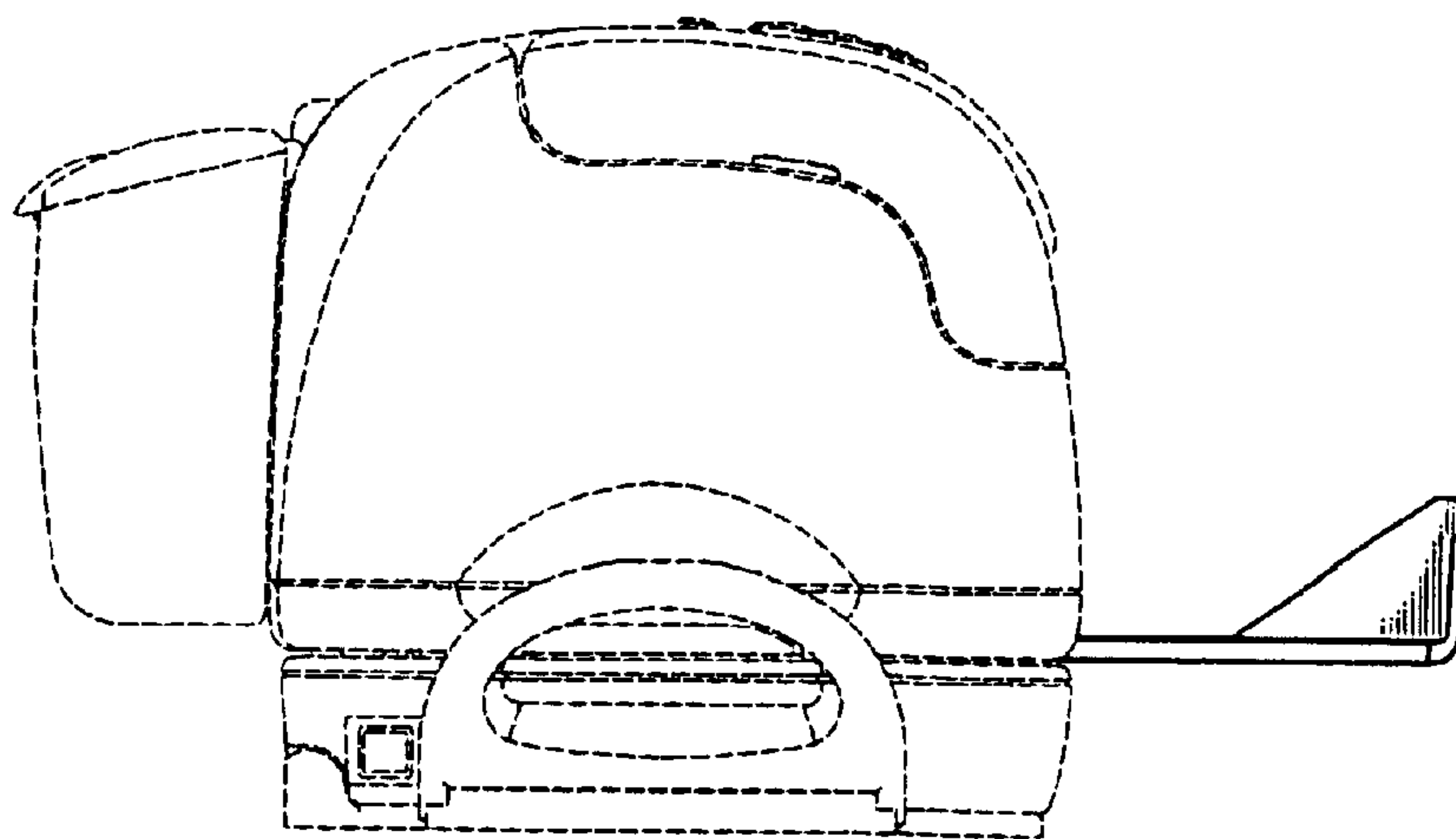


Fig. 12



13

13

Fig.13

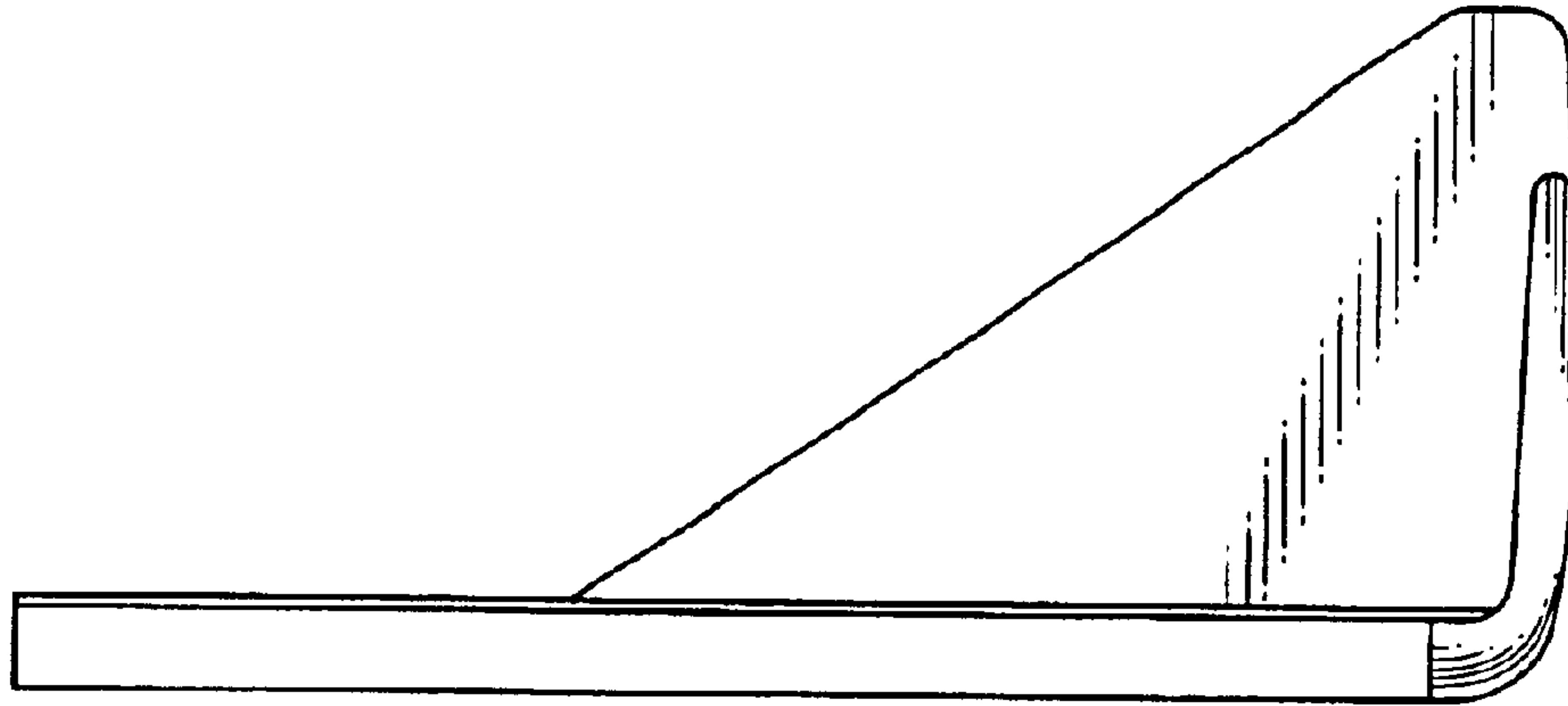


Fig.14

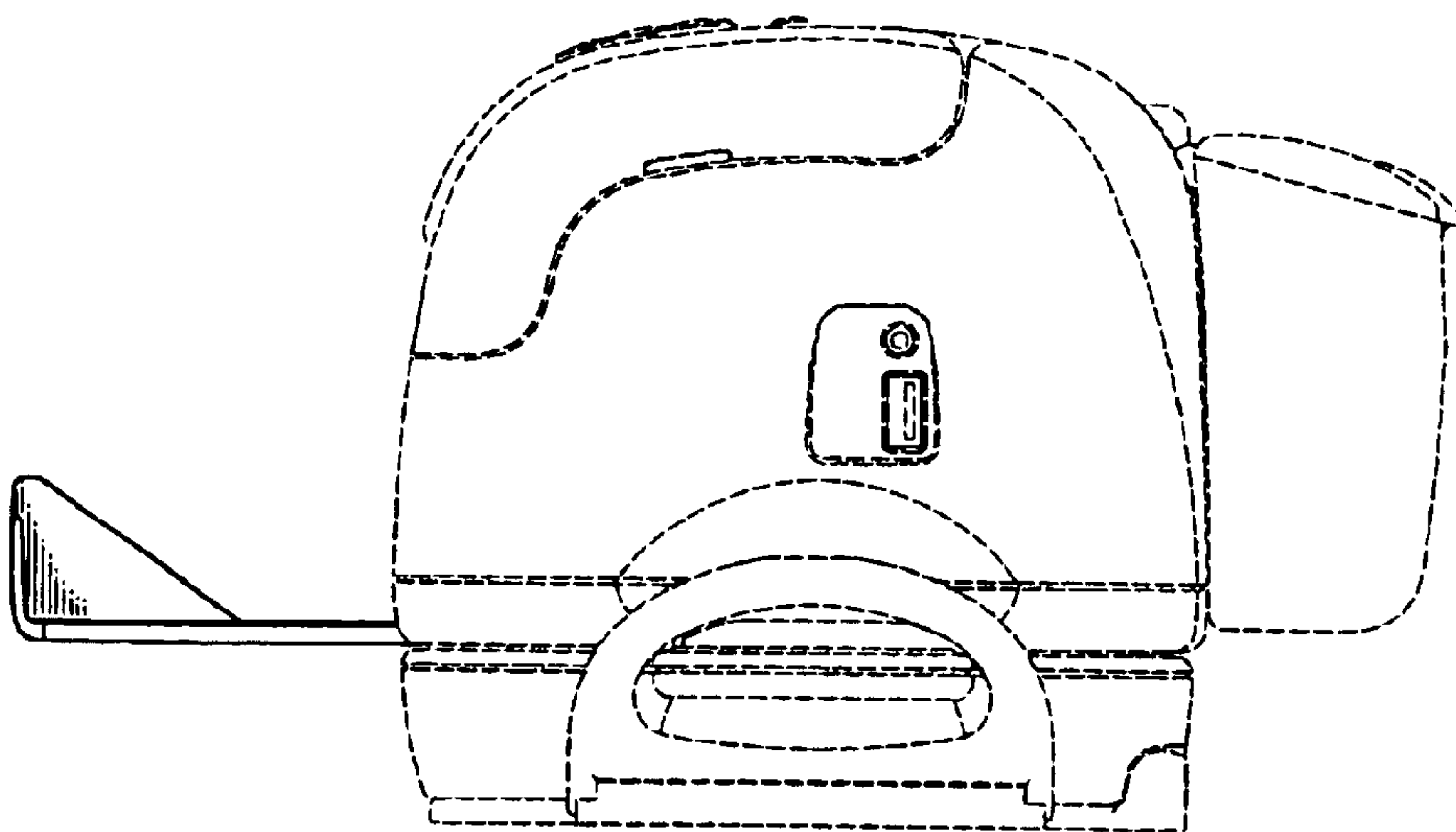




Fig.15

