

US00D502498S

(12) **United States Design Patent**
Kida et al.

(10) **Patent No.:** **US D502,498 S**
(45) **Date of Patent:** **** Mar. 1, 2005**

(54) **CAP FOR A HAND STAMP**

D425,546 S * 5/2000 Lee D18/15
D427,234 S * 6/2000 Loy et al. D18/15

(75) Inventors: **Masaki Kida**, Setagaya-ku (JP);
Motohide Imaizumi, Setagaya-ku (JP)

FOREIGN PATENT DOCUMENTS

(73) Assignee: **Shachihata Inc.**, Nagoya (JP)

JP 868495 5/1993

(**) Term: **14 Years**

* cited by examiner

(21) Appl. No.: **29/194,492**

Primary Examiner—Charles A. Rademaker
(74) *Attorney, Agent, or Firm*—Jacobson Holman PLLC

(22) Filed: **Nov. 26, 2003**

(57) **CLAIM**

(30) **Foreign Application Priority Data**

The ornamental design for a cap for a hand stamp, as shown and described.

Jun. 3, 2003 (JP) 2003-015604

DESCRIPTION

(51) **LOC (7) Cl.** **19-02**

(52) **U.S. Cl.** **D18/18**

(58) **Field of Search** D18/50, 15-18,
D18/99; 118/264; 101/333, 368

FIG. 1 is a perspective view of a cap for a hand stamp showing our new design;
FIG. 2 is a front elevation thereof;
FIG. 3 is a rear elevation thereof;
FIG. 4 is a left side elevation thereof;
FIG. 5 is a right side elevation thereof;
FIG. 6 is a top plan view thereof;
FIG. 7 is a bottom plan view thereof;
FIG. 8 is a cross-sectional view thereof taken along line A—A in FIG. 6 shown on an enlarged scale; and,
FIG. 9 is a cross-sectional view thereof taken along line B—B in FIG. 6 shown on an enlarged scale.

(56) **References Cited**

U.S. PATENT DOCUMENTS

3,020,838 A * 2/1962 Prost 101/333
3,408,932 A * 11/1968 Mucci 101/368
D239,057 S * 3/1976 Utzinger D18/18
D384,096 S * 9/1997 Harden D18/15
D387,800 S * 12/1997 Daw et al. D18/18
D389,175 S * 1/1998 Imamaki D18/18
D399,868 S * 10/1998 Harden D18/18

1 Claim, 3 Drawing Sheets

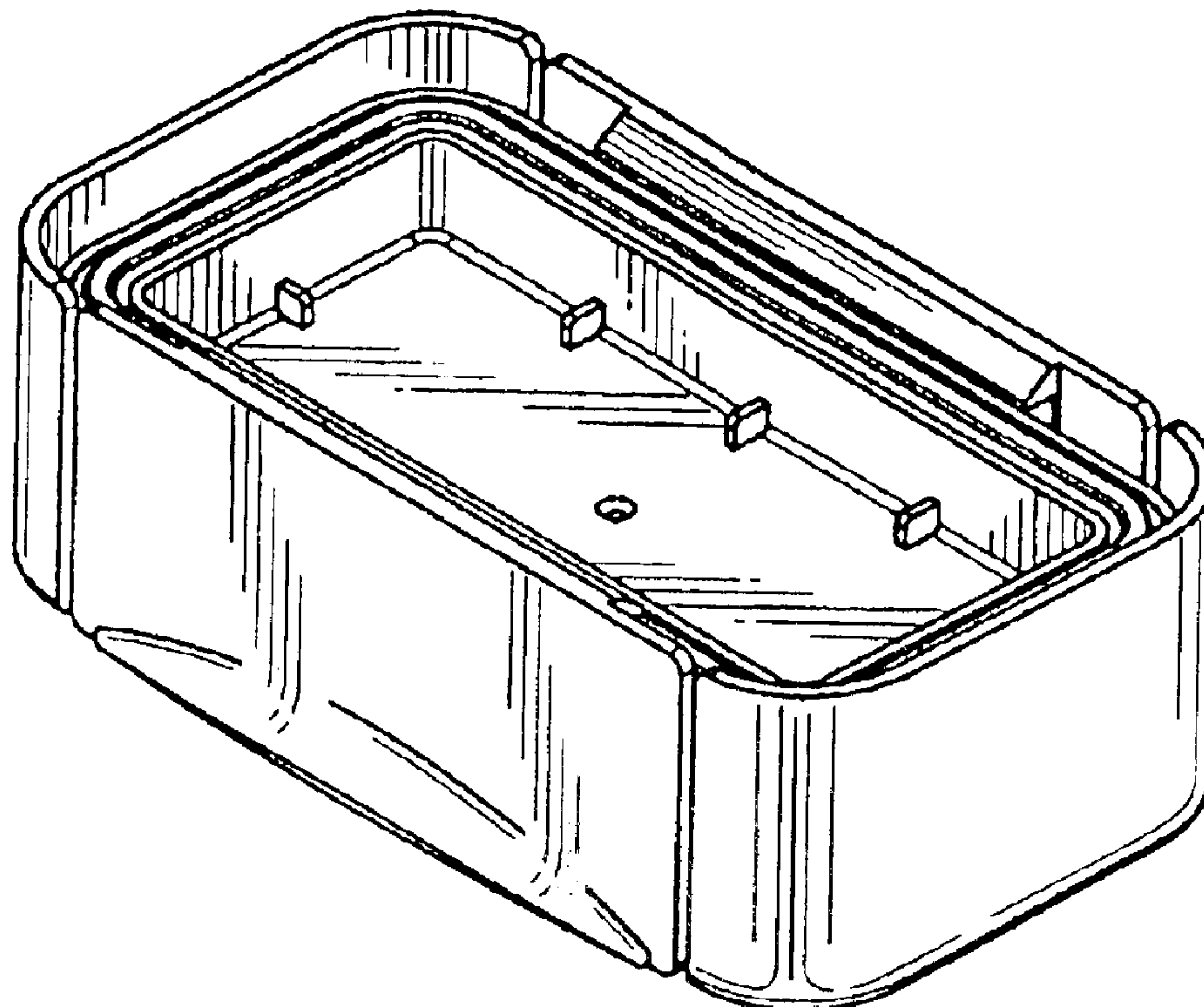


FIG.1

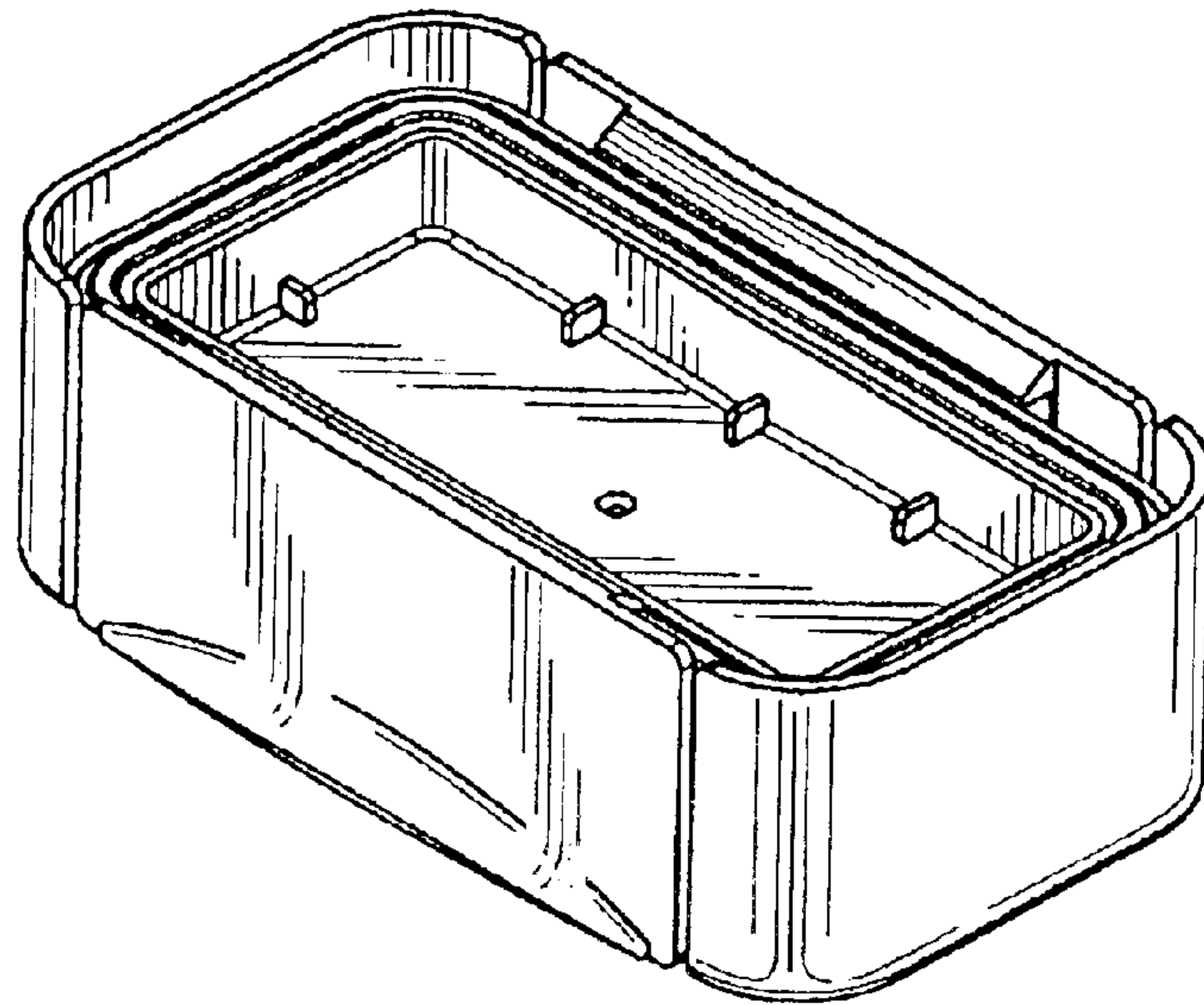


FIG.2

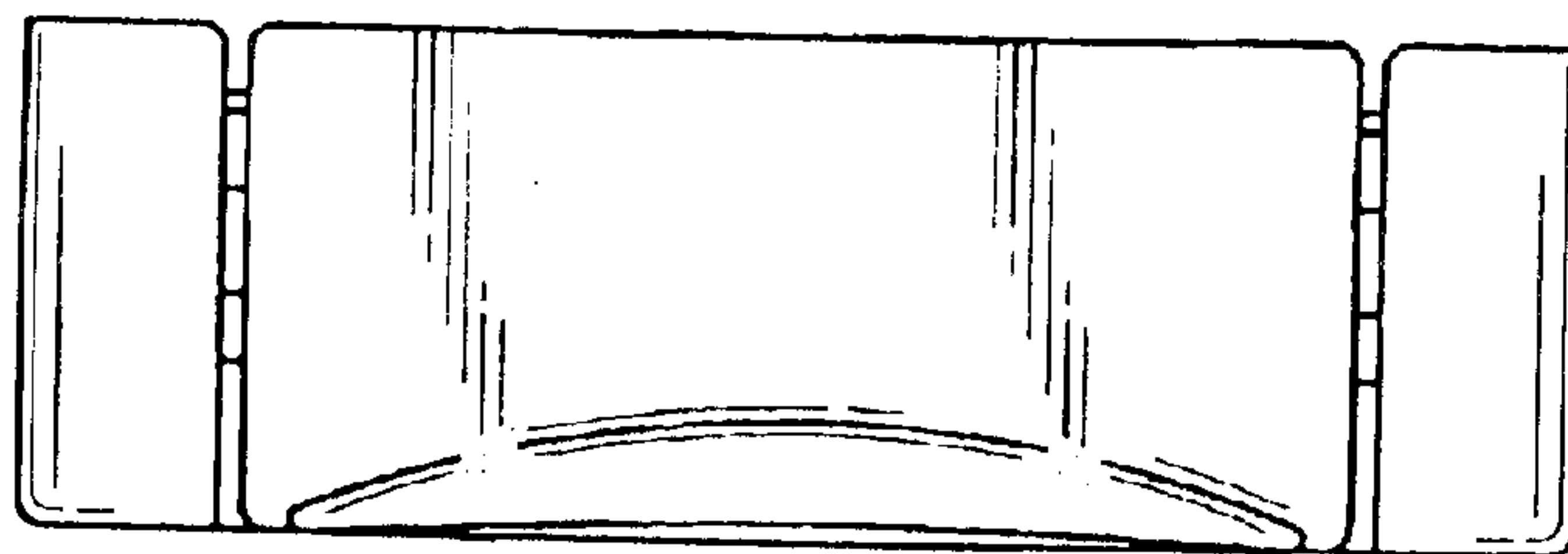


FIG.3

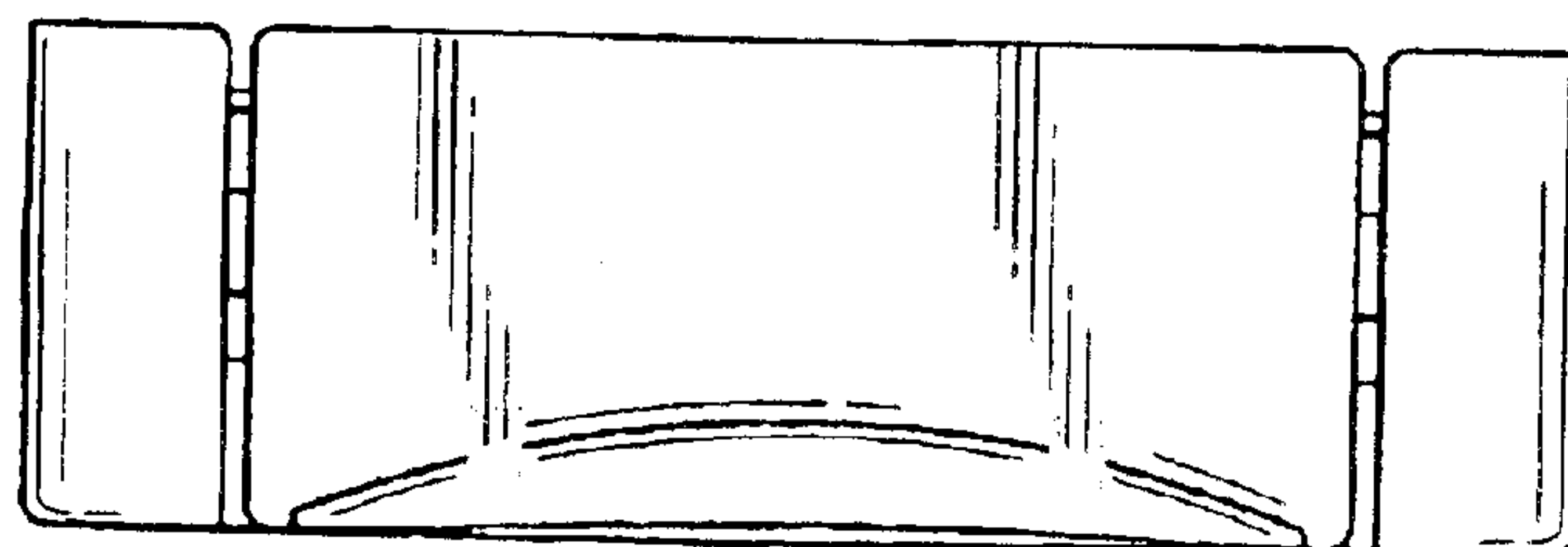


FIG.4

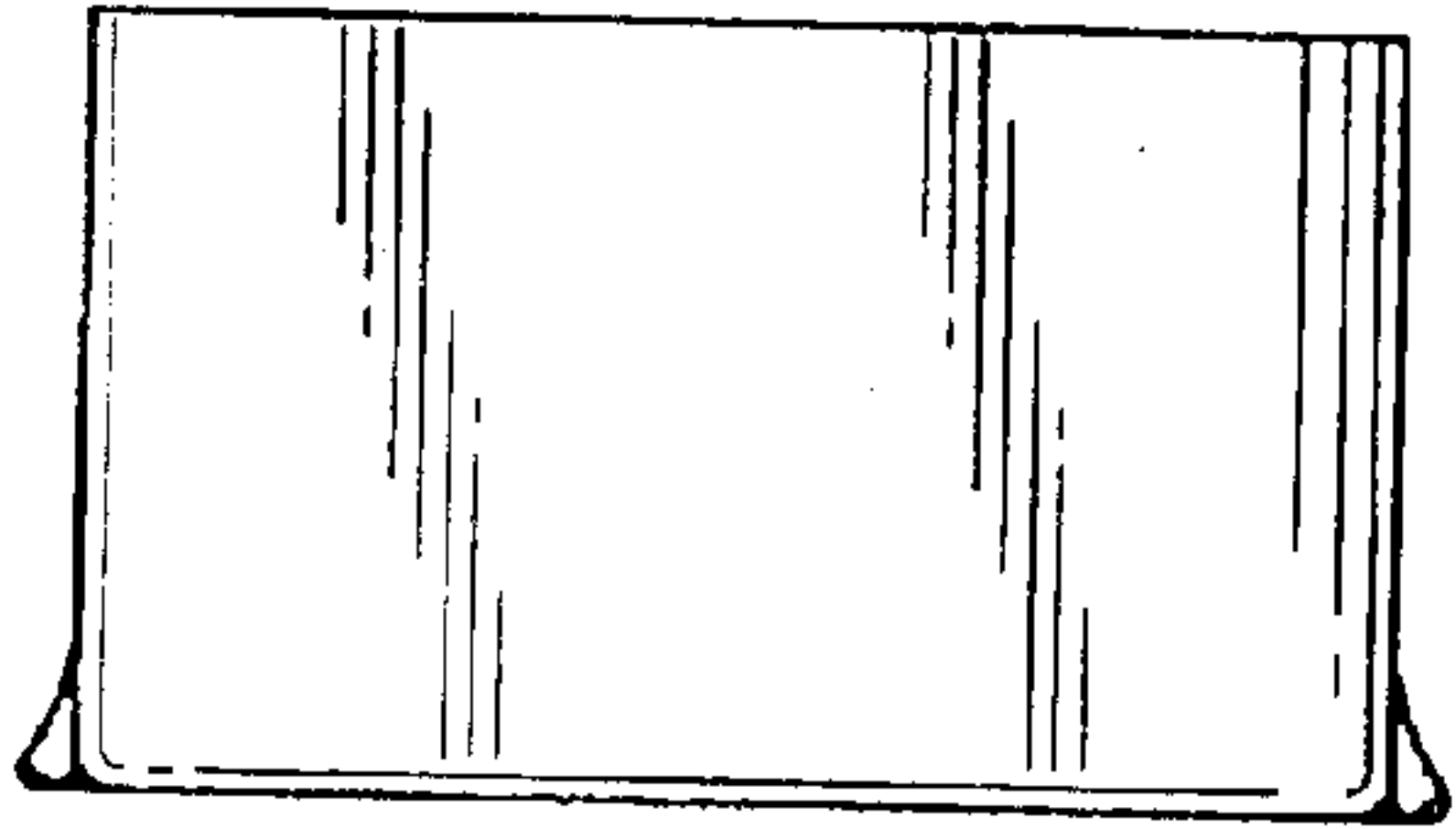


FIG.5

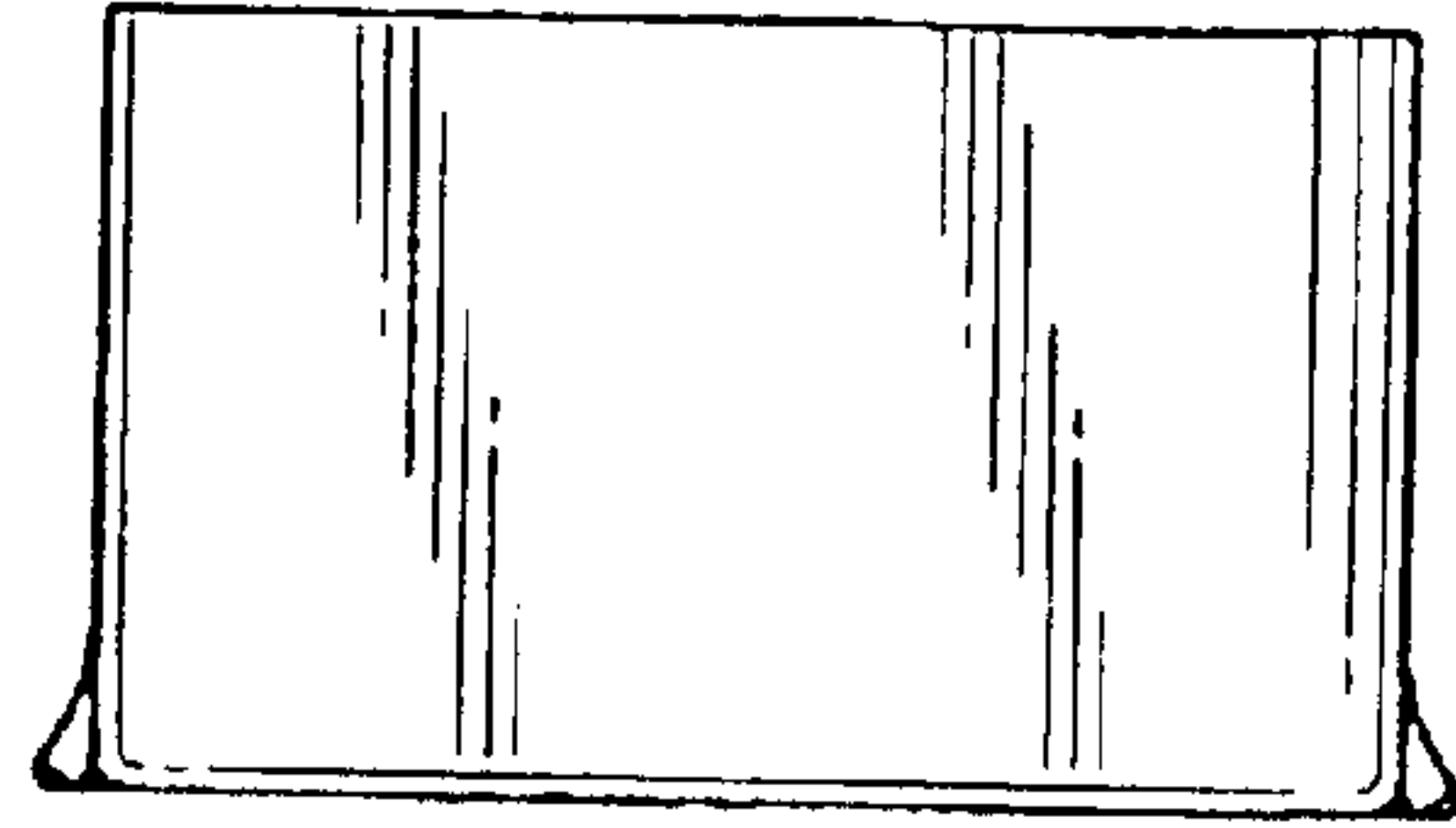


FIG.6

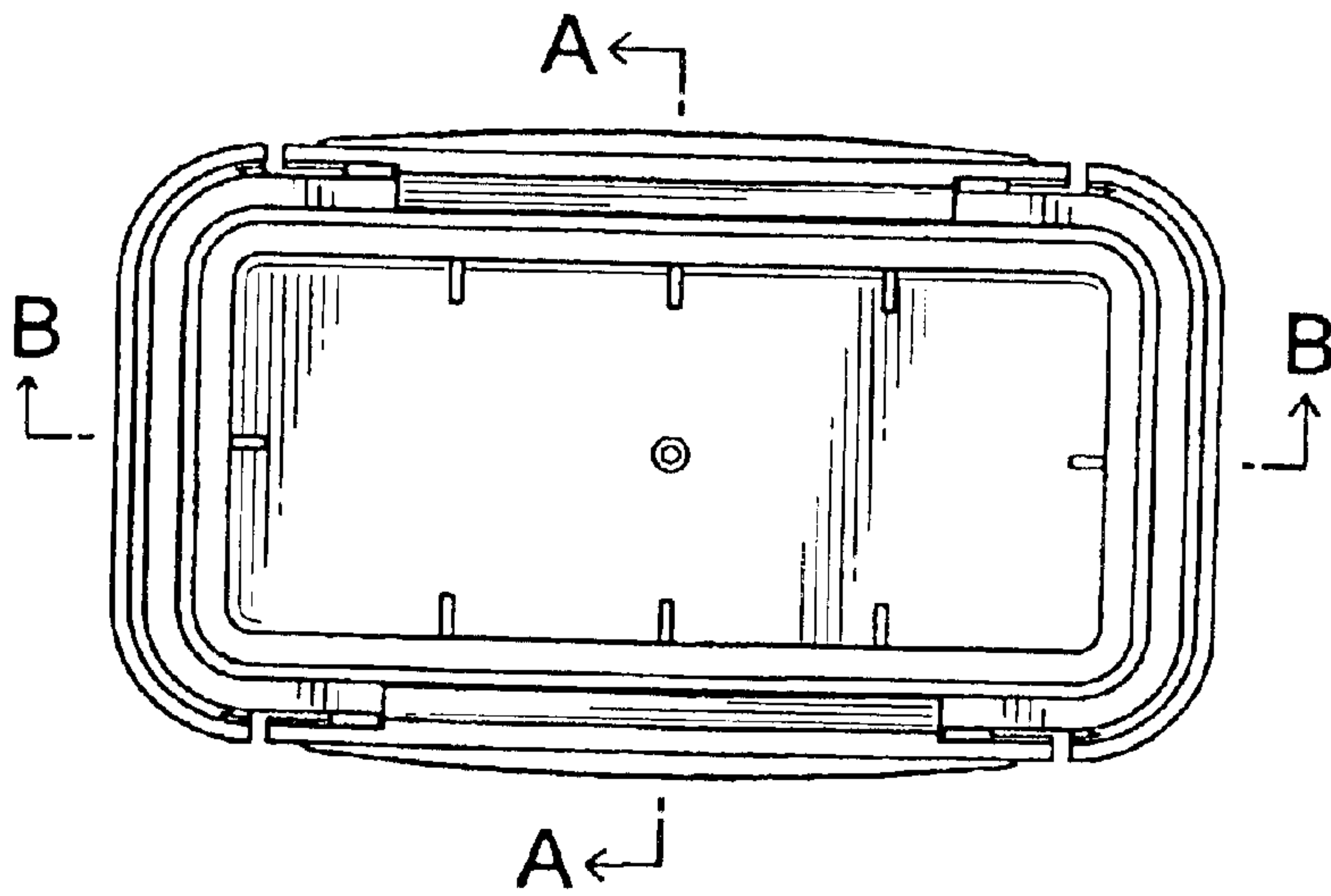


FIG.7

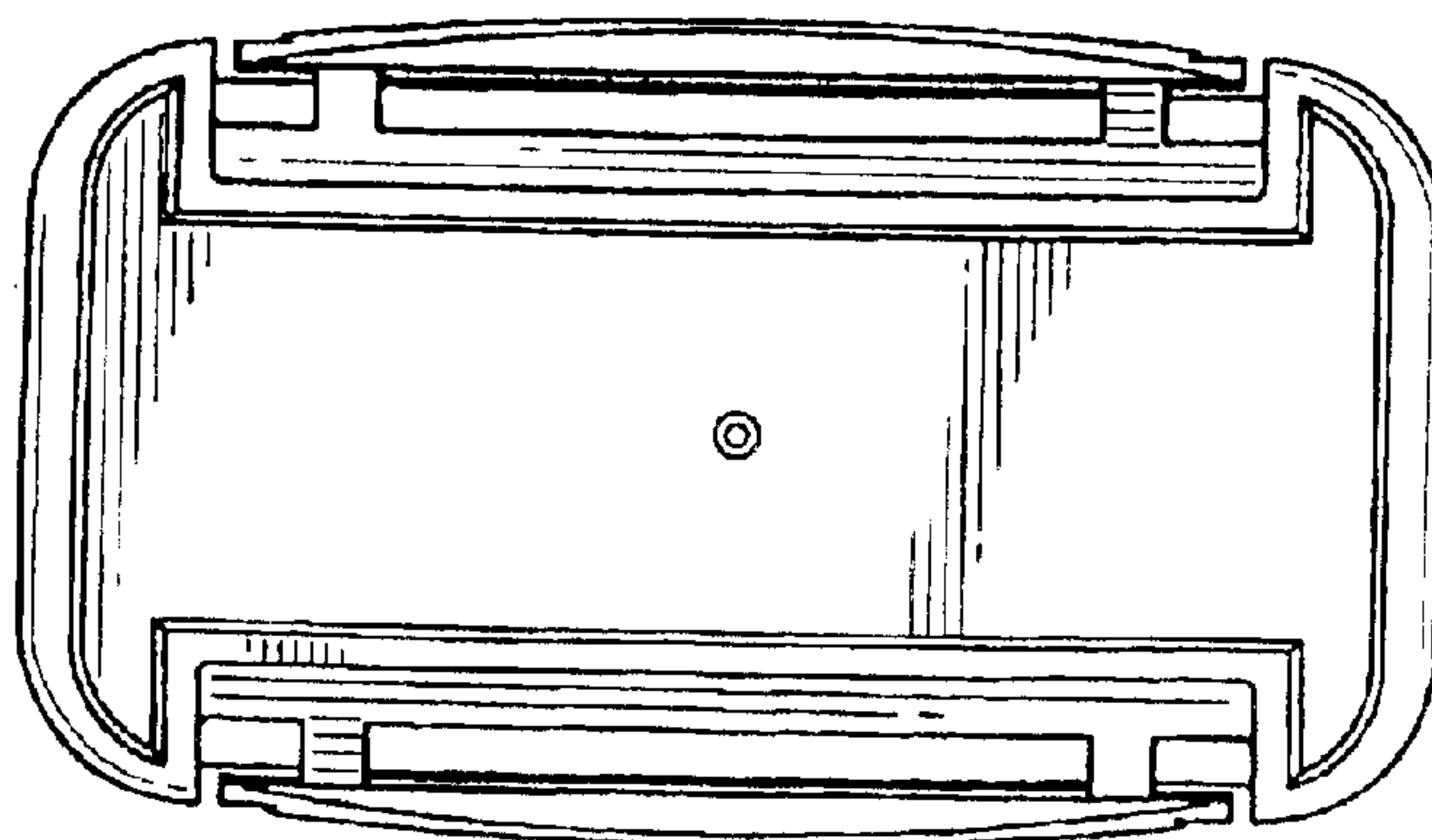


FIG.8

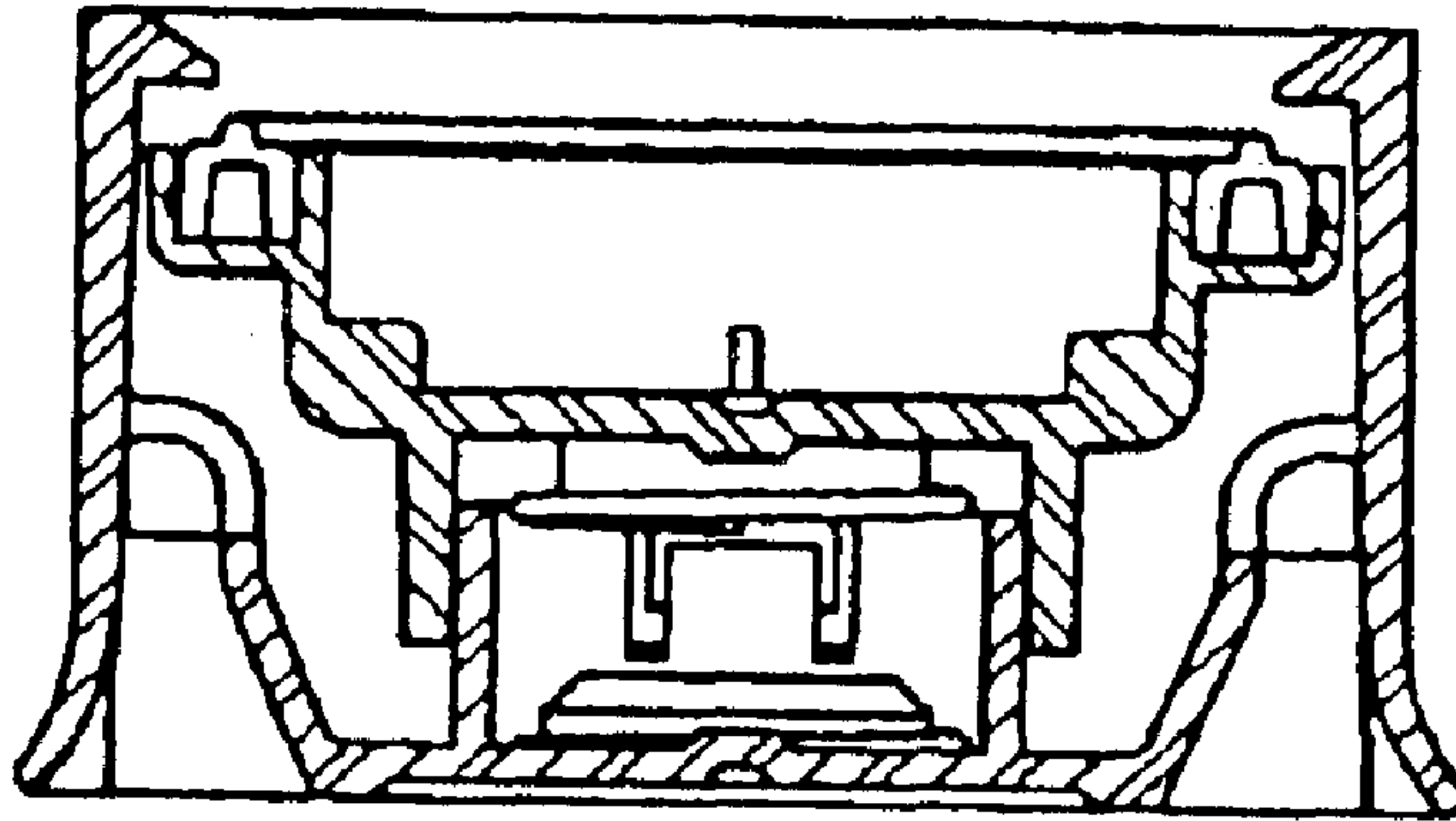


FIG.9

