

US00D502488S

(12) **United States Design Patent**
Miyashita

(10) **Patent No.:** **US D502,488 S**
(45) **Date of Patent:** **** Mar. 1, 2005**

(54) **LIGHT FOR CAMERA**

(75) Inventor: **Shin Miyashita**, Tokyo (JP)
(73) Assignee: **Sony Corporation**, Tokyo (JP)
(**) Term: **14 Years**

(21) Appl. No.: **29/181,117**
(22) Filed: **May 6, 2003**

(51) **LOC (7) Cl.** **16-05**
(52) **U.S. Cl.** **D16/240; D16/239**
(58) **Field of Search** **D16/237, 239,**
D16/240; 362/3, 16-18; 396/155, 180,
182

(56) **References Cited**

U.S. PATENT DOCUMENTS

D247,439 S	*	3/1978	Asaki	D16/239
D252,209 S	*	6/1979	Taylor	D16/239
D261,523 S	*	10/1981	Conner et al.	D16/239
D342,753 S	*	12/1993	Haga	D16/239
5,794,082 A	*	8/1998	Matsui et al.	396/182
D422,293 S		4/2000	Harata		
D444,161 S		6/2001	Nakamura		
D453,351 S	*	2/2002	Kitera	D16/240

OTHER PUBLICATIONS

Web page "Sony eCatalog," <http://www.ecat.sony.co.jp/camera/videoacc/acc/index.cfm?PD=1399&KM=HV-L-IRH2>, 1 sheet, Sony (Feb. 2003).
Web page "Sony eCatalog," <http://www.ecat.sony.co.jp/camera/videoacc/acc/index.cfm?PH=1401&KM=HV-L-FH1100>, 1 sheet, Sony (Feb. 2003).

* cited by examiner

Primary Examiner—Adir Aronovich
(74) *Attorney, Agent, or Firm*—Rader, Fishman & Grauer PLLC

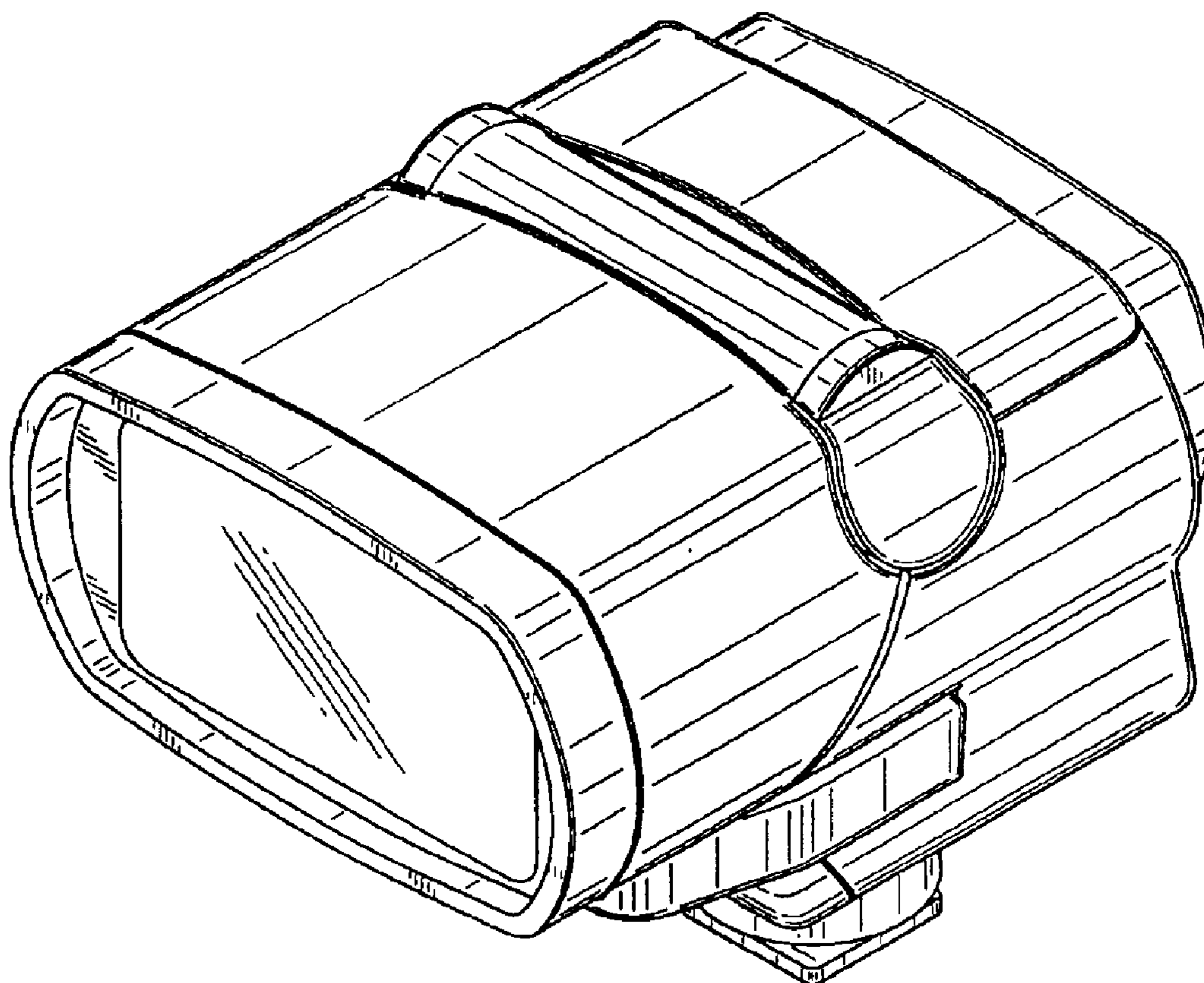
(57) **CLAIM**

The ornamental design for a light for camera, as shown.

DESCRIPTION

FIG. 1 is a perspective view of a light for camera showing my new design;
FIG. 2 is a front elevational view thereof;
FIG. 3 is a rear elevational view thereof;
FIG. 4 is a left side elevational view thereof;
FIG. 5 is a right side elevational view thereof;
FIG. 6 is a top plan view thereof; and,
FIG. 7 is a bottom plan view thereof.

1 Claim, 4 Drawing Sheets



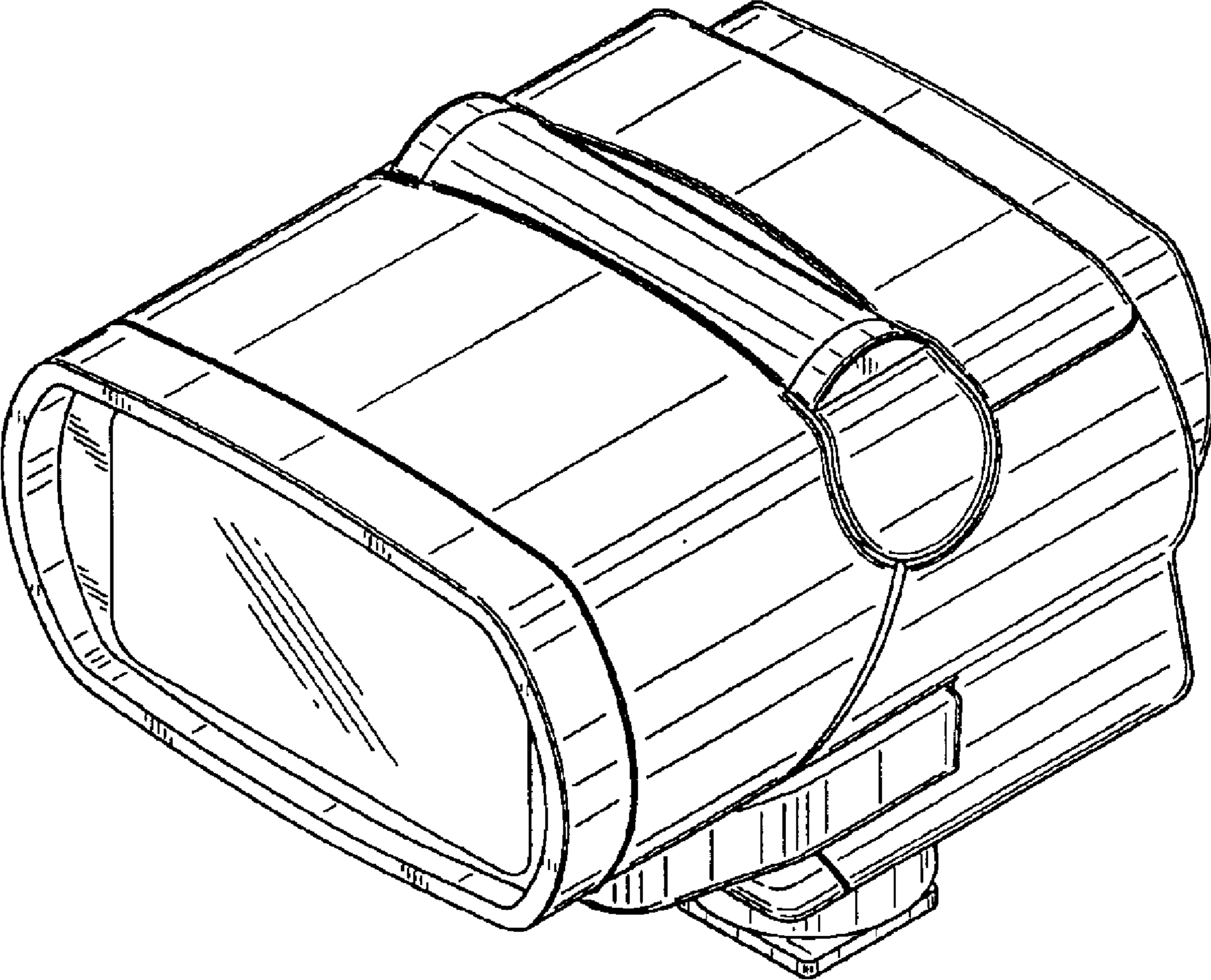


FIG. 1

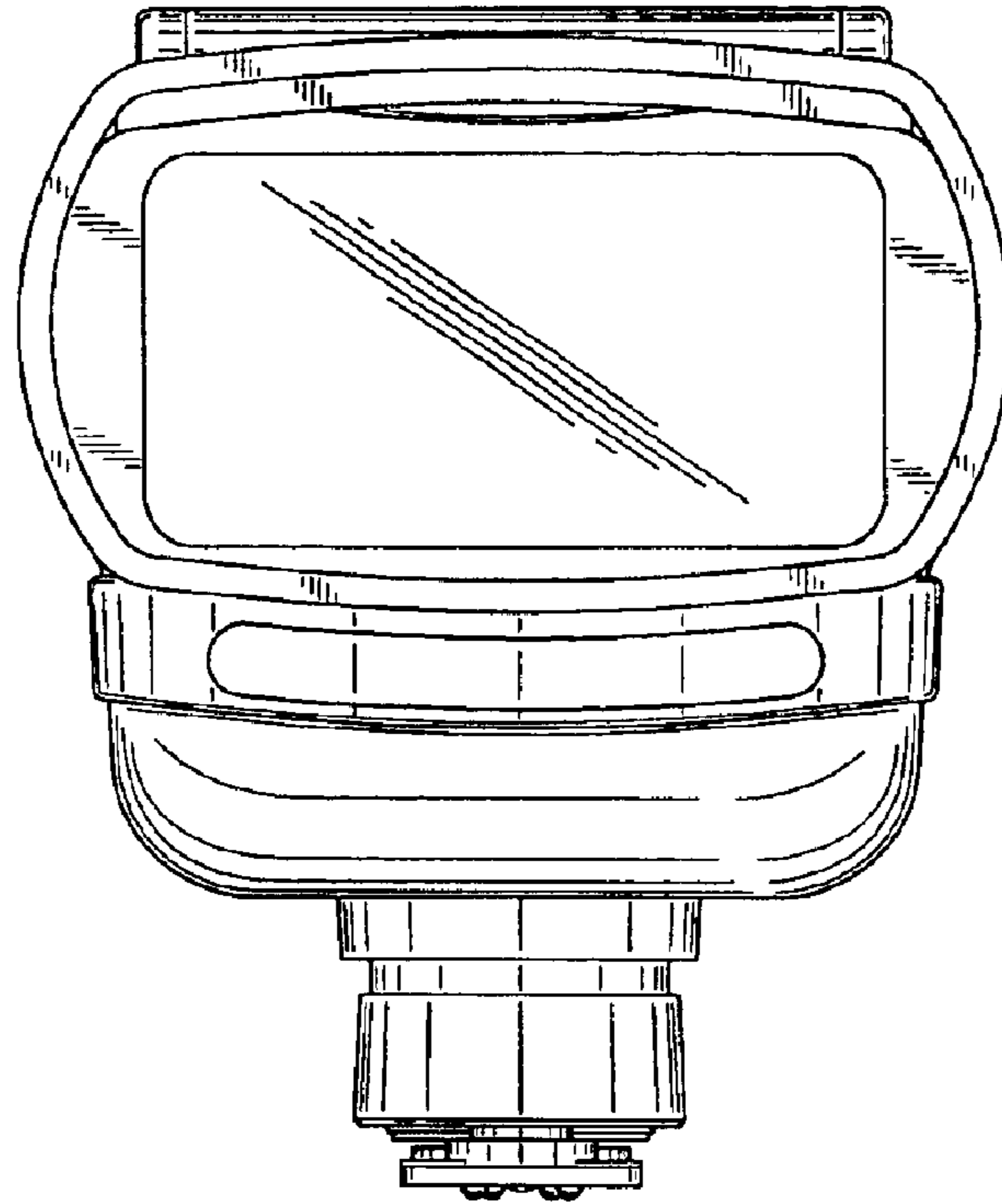


FIG. 2

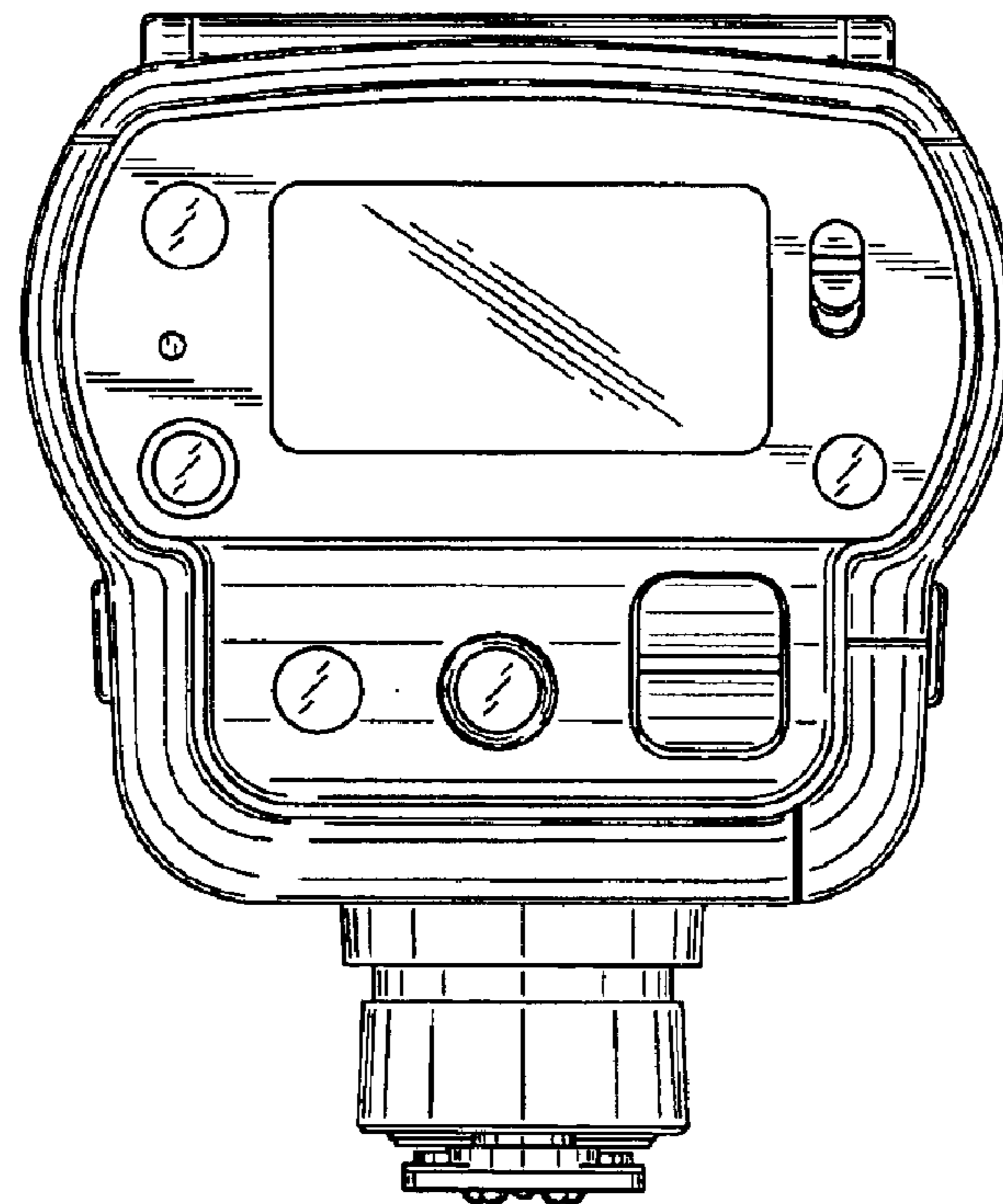


FIG. 3

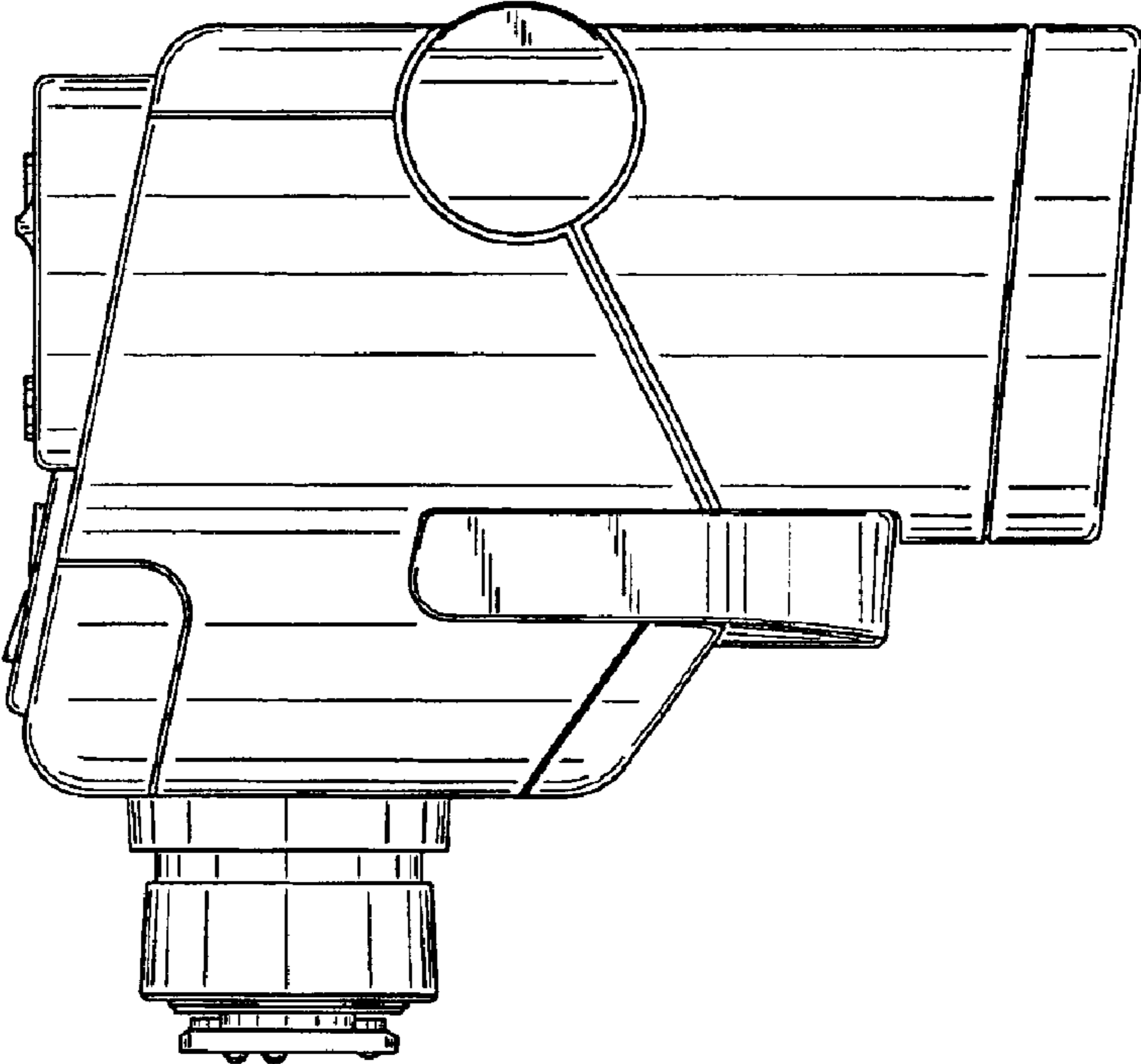


FIG. 4

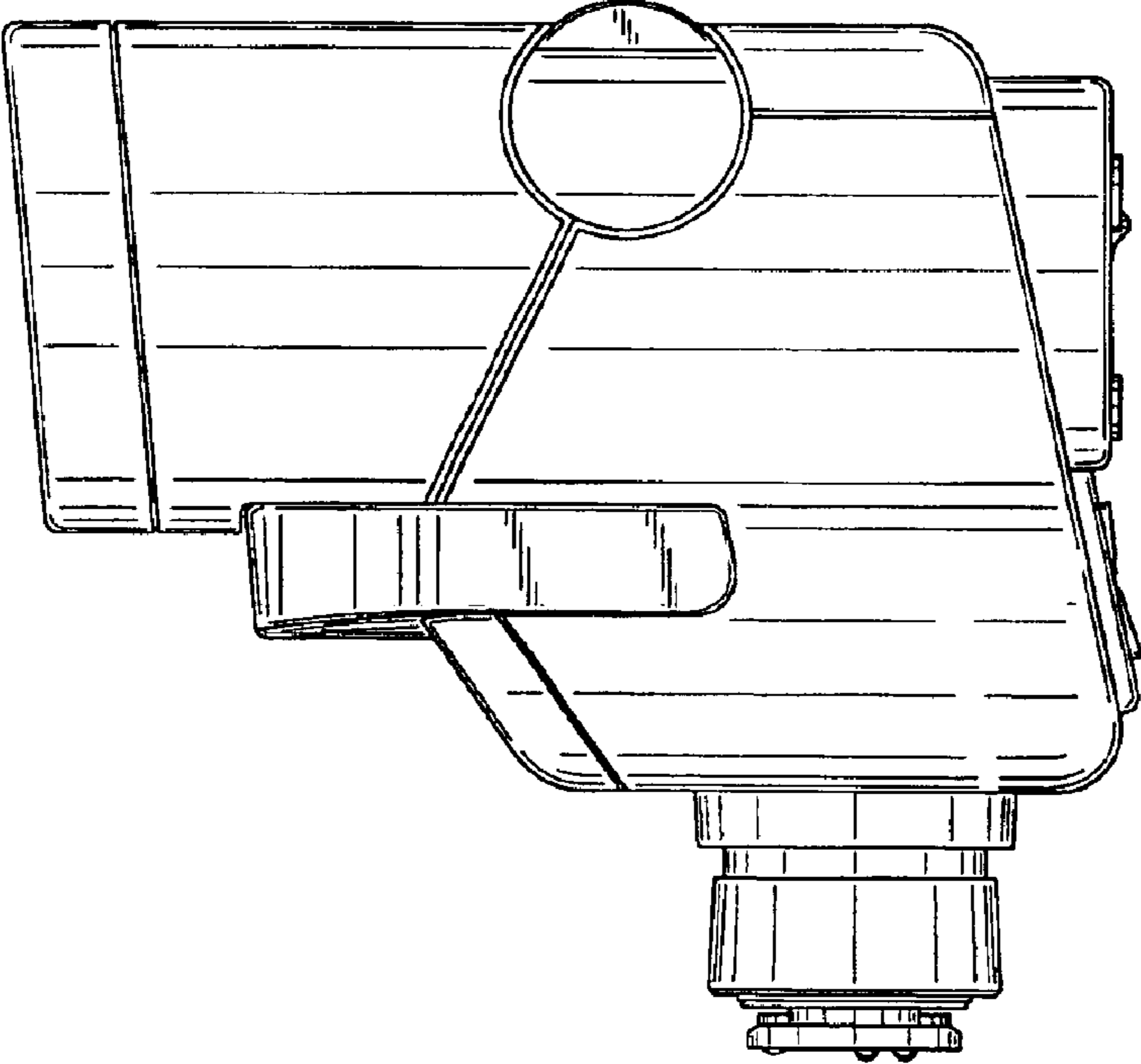


FIG. 5

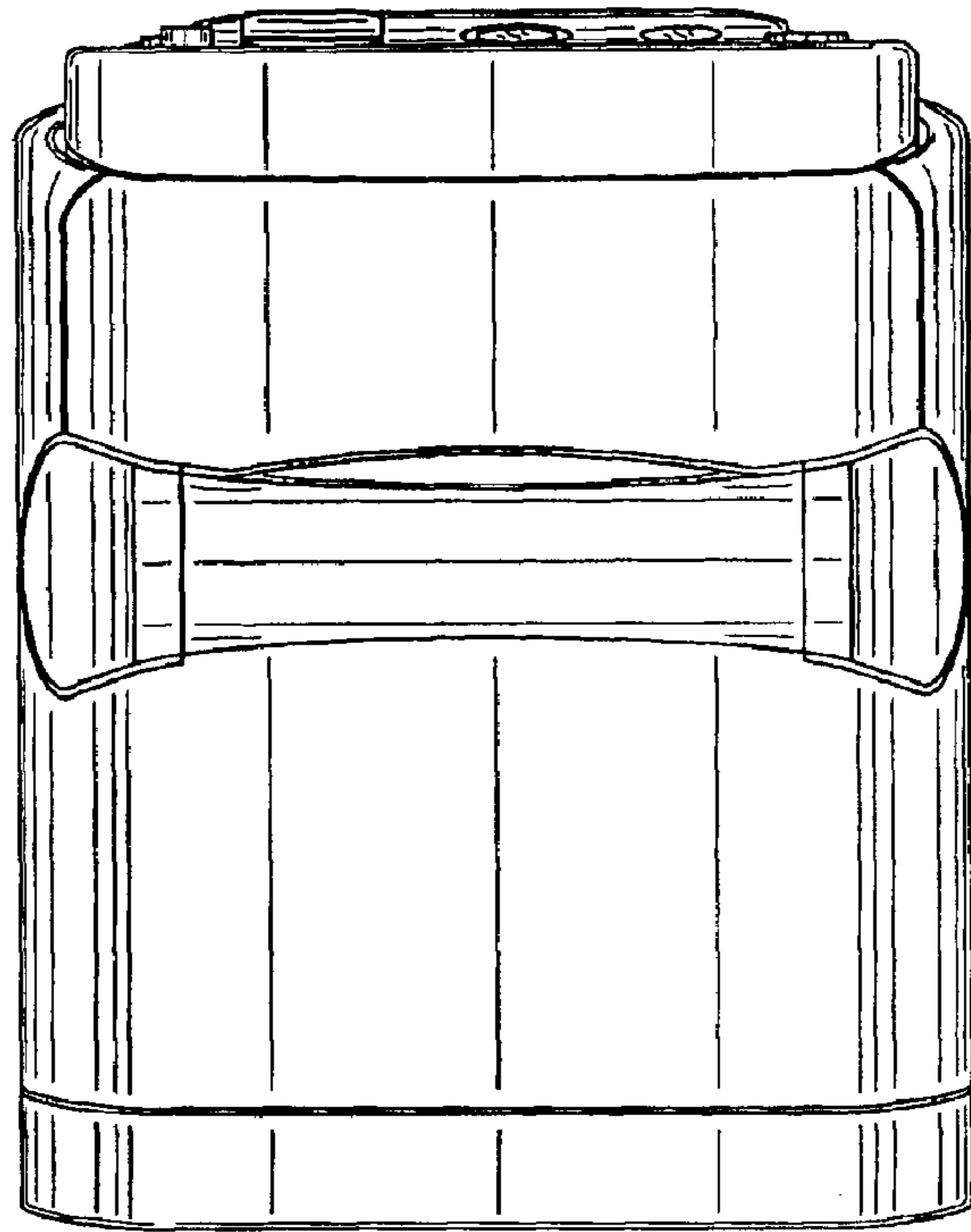


FIG. 6

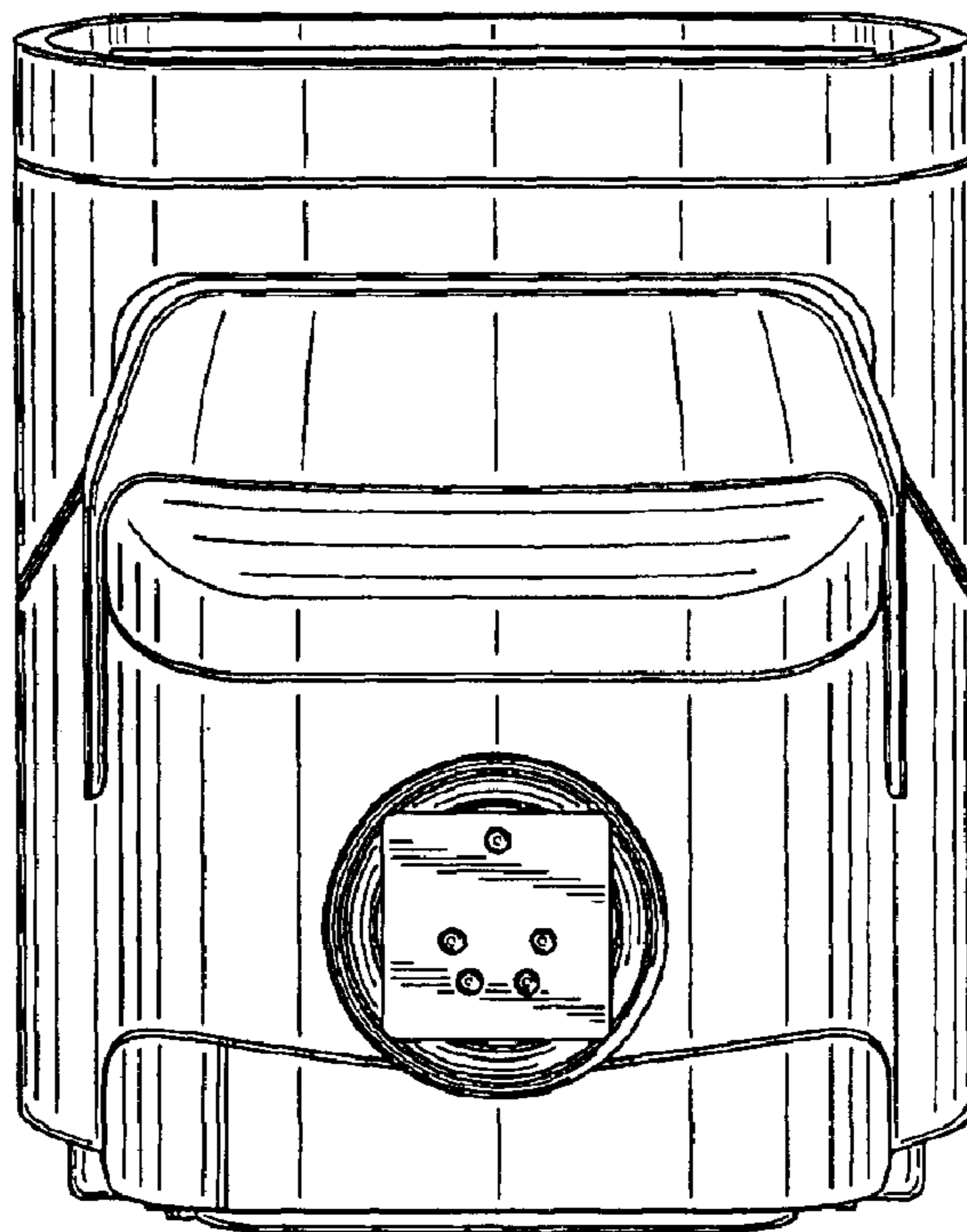


FIG. 7