

US00D502487S

(12) **United States Design Patent**
Kung

(10) **Patent No.:** **US D502,487 S**
(45) **Date of Patent:** **** Mar. 1, 2005**

(54) **JOINT CAPABLE OF EXCHANGING IMAGE PROJECTION DIRECTION**

5,121,220 A * 6/1992 Nakamoto 359/419
D473,255 S * 4/2003 Cozzolino et al. D16/235
6,700,689 B2 * 3/2004 Kung 359/223
2004/0125475 A1 * 7/2004 Kung 359/873

(75) Inventor: **Su Min Kung, Shi-Jr (TW)**

* cited by examiner

(73) Assignee: **Hunter Optical Co., Ltd., Shi-Jr (TW)**

Primary Examiner—Adir Aronovich

(**) Term: **14 Years**

(21) Appl. No.: **29/181,406**

(57) **CLAIM**

(22) Filed: **May 12, 2003**

The ornamental design for a joint capable of exchanging image projection direction, as shown and described.

(30) **Foreign Application Priority Data**

DESCRIPTION

Dec. 30, 2002 (TW) 91307671

FIG. 1 is a front view of a joint capable of exchanging image projection direction;

(51) **LOC (7) Cl.** **16-02**

FIG. 2 is a back view thereof;

(52) **U.S. Cl.** **D16/235**

FIG. 3 is a right side view thereof;

(58) **Field of Search** D16/221, 225,
D16/235, 237; 353/119, 122; 359/223, 225,
402, 419, 433, 873

FIG. 4 is a left side view thereof;

FIG. 5 is a top view thereof;

FIG. 6 is a bottom view thereof; and,

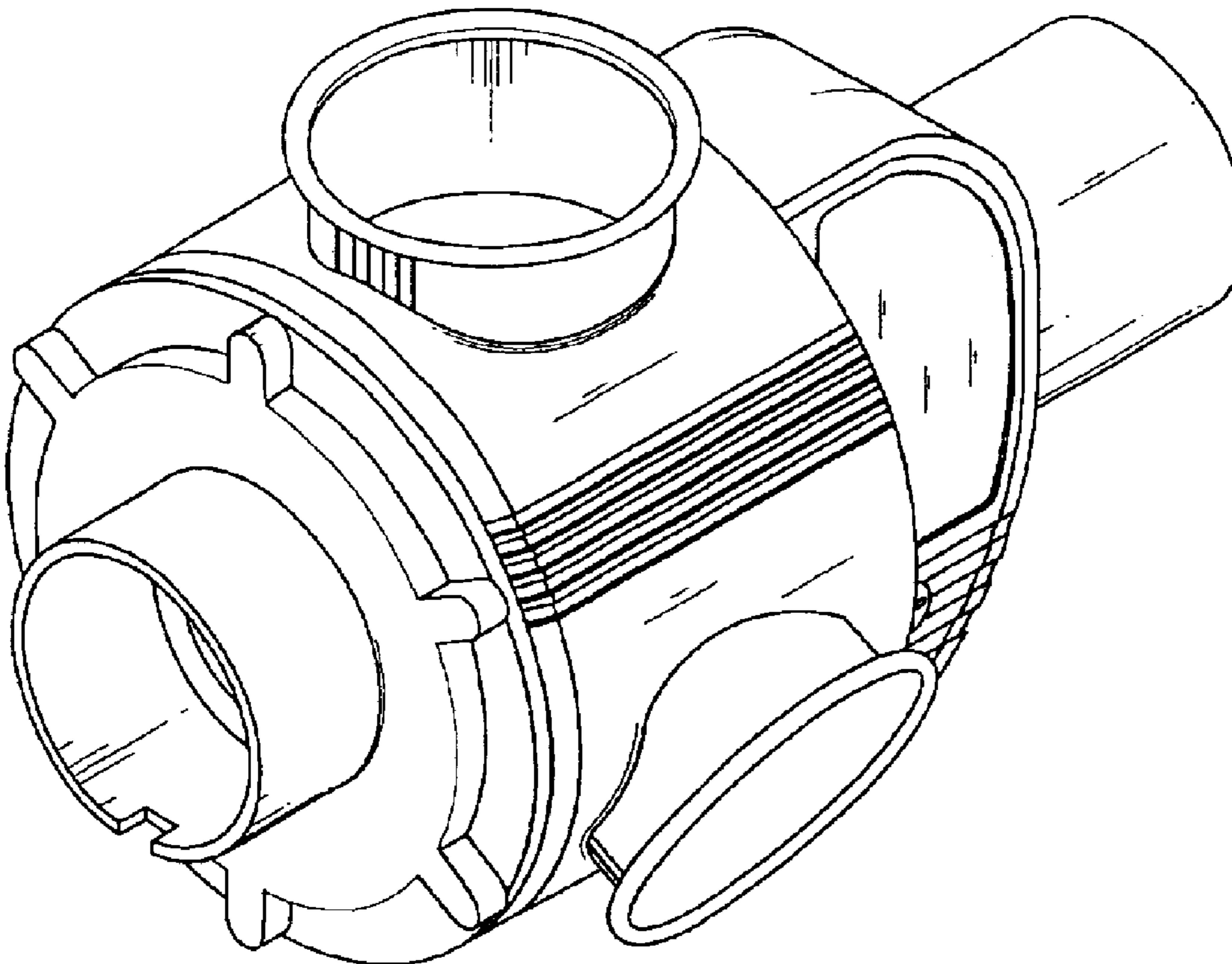
FIG. 7 is a perspective view thereof.

(56) **References Cited**

U.S. PATENT DOCUMENTS

4,930,883 A * 6/1990 Salzman 359/419

1 Claim, 7 Drawing Sheets



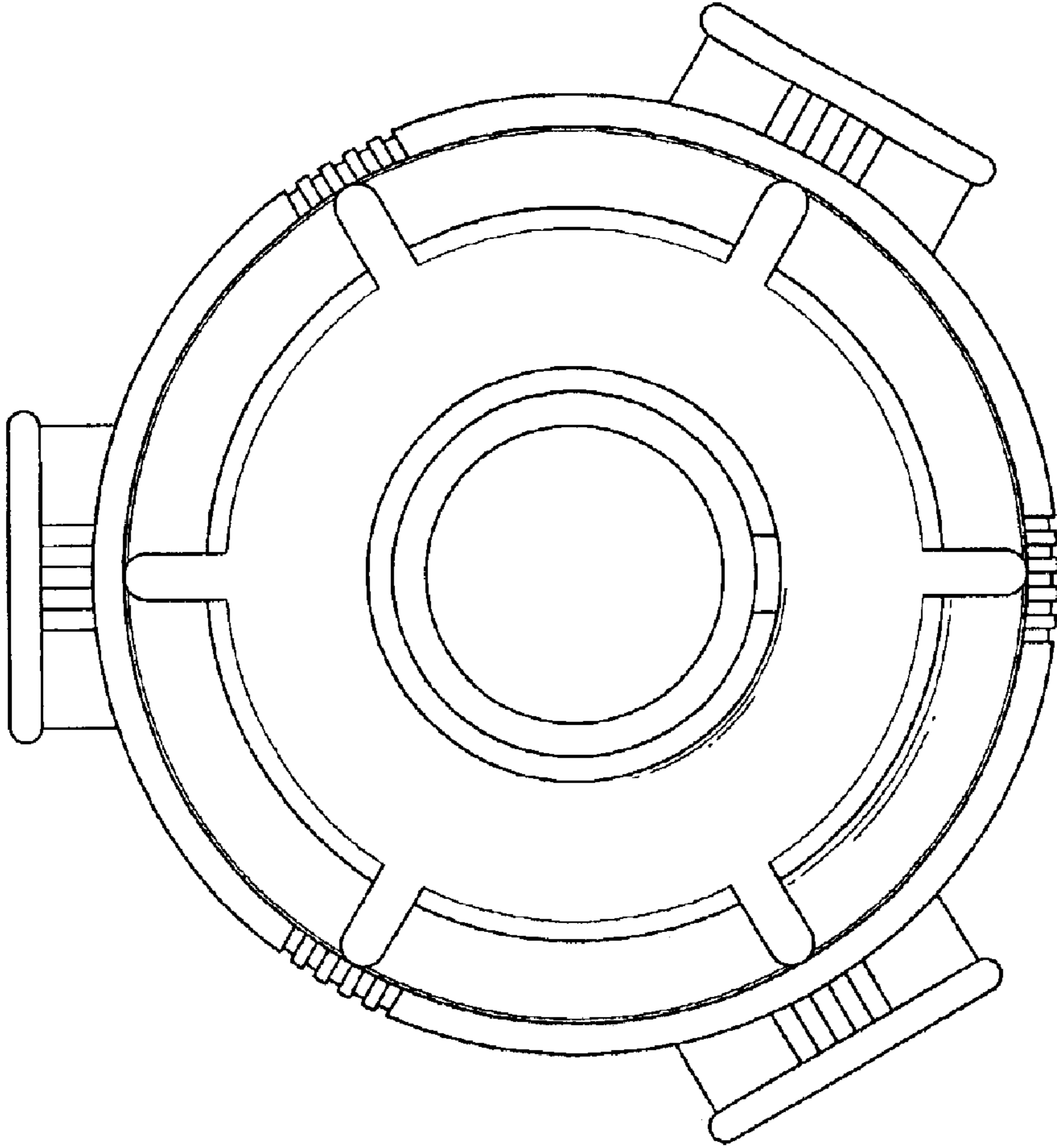


FIG. 1

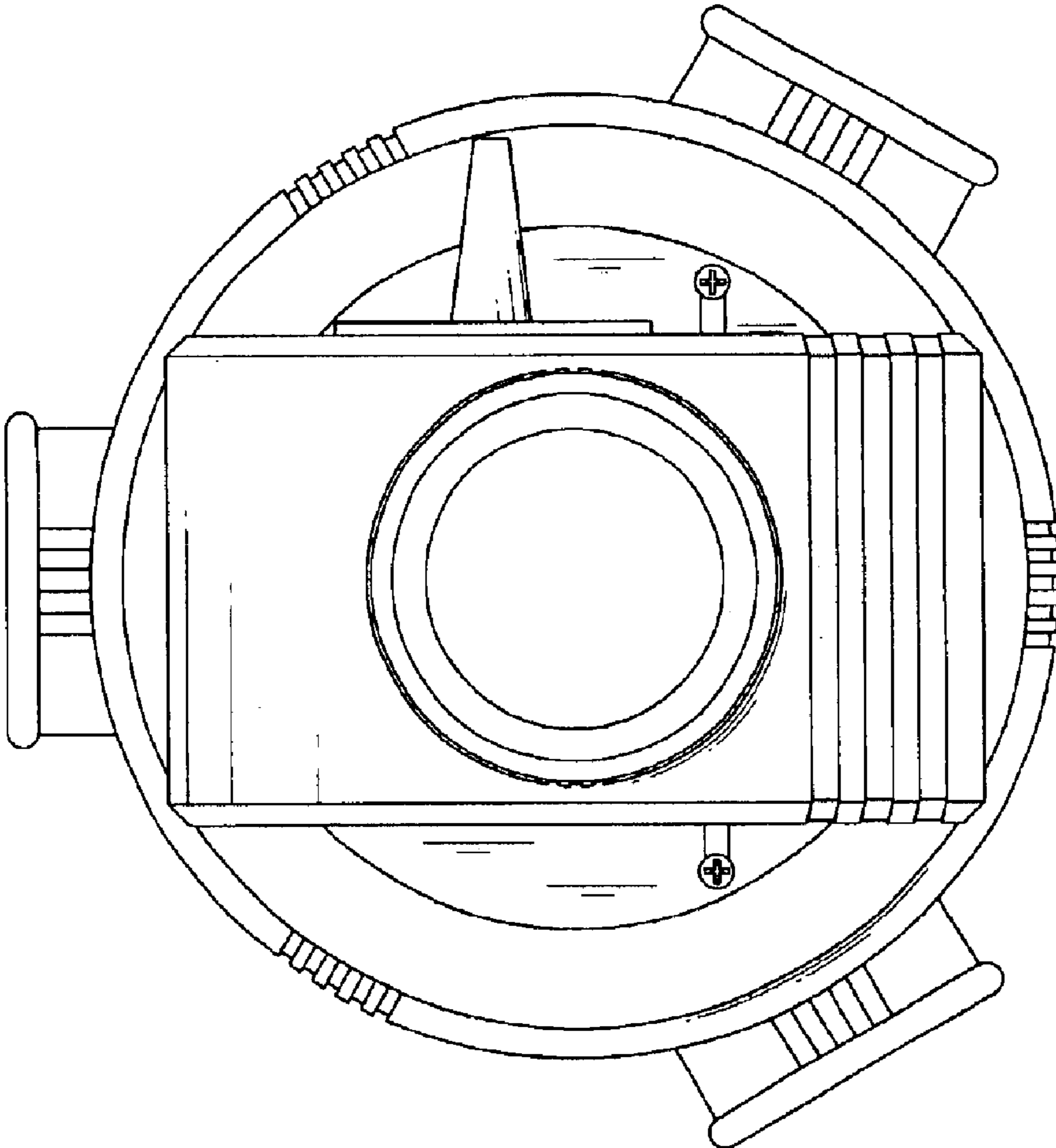


FIG. 2

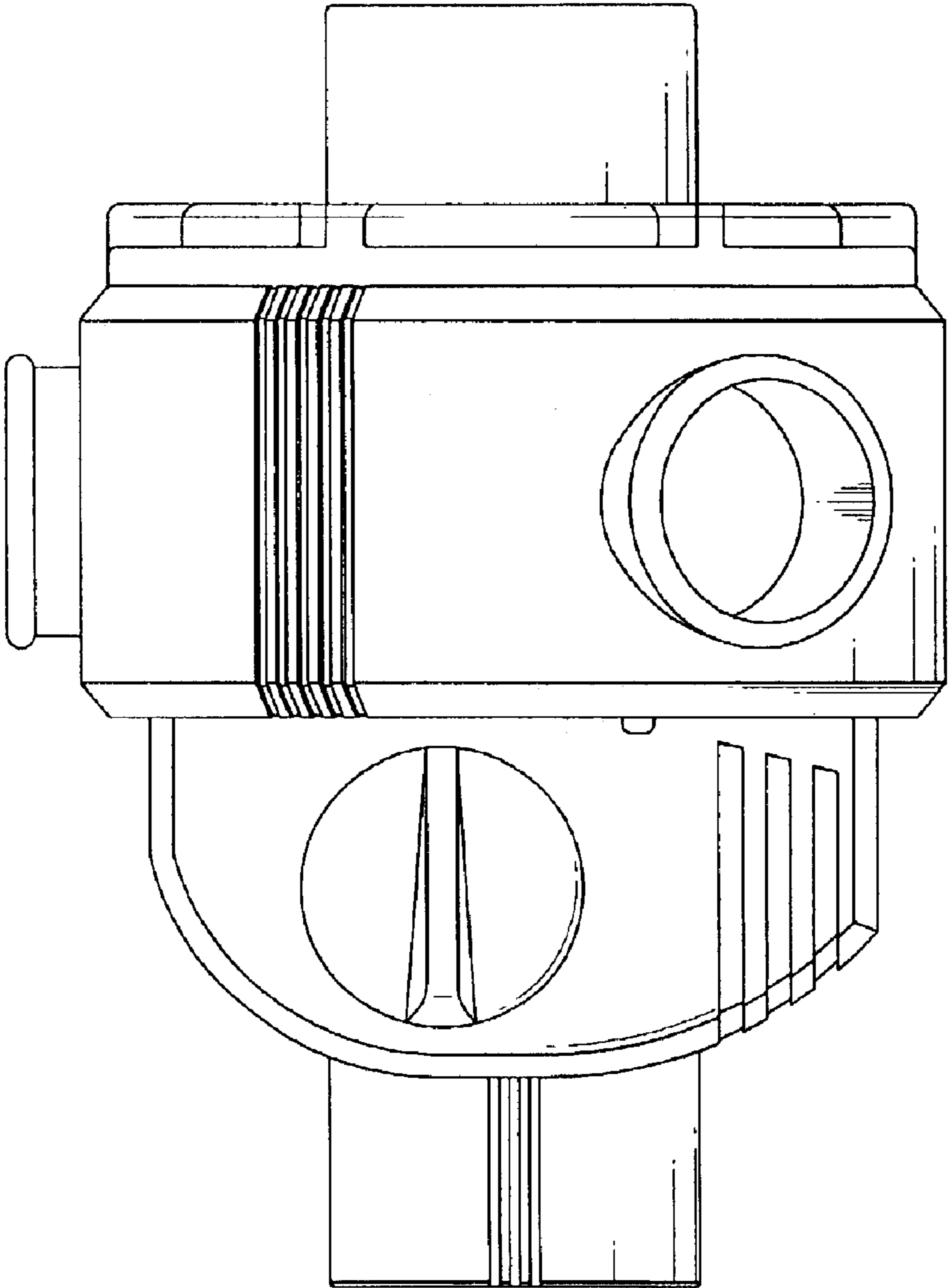


FIG. 3

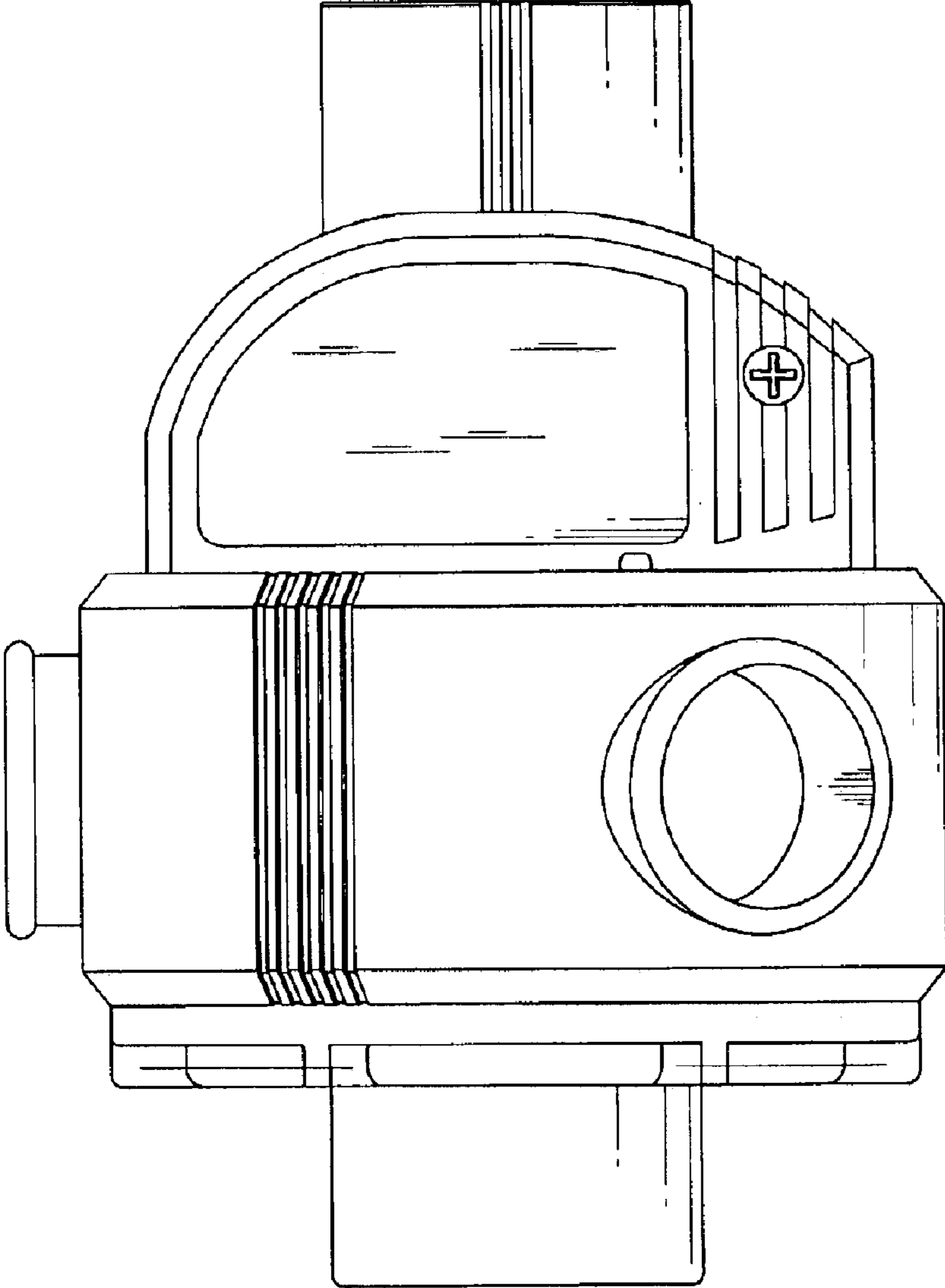


FIG. 4

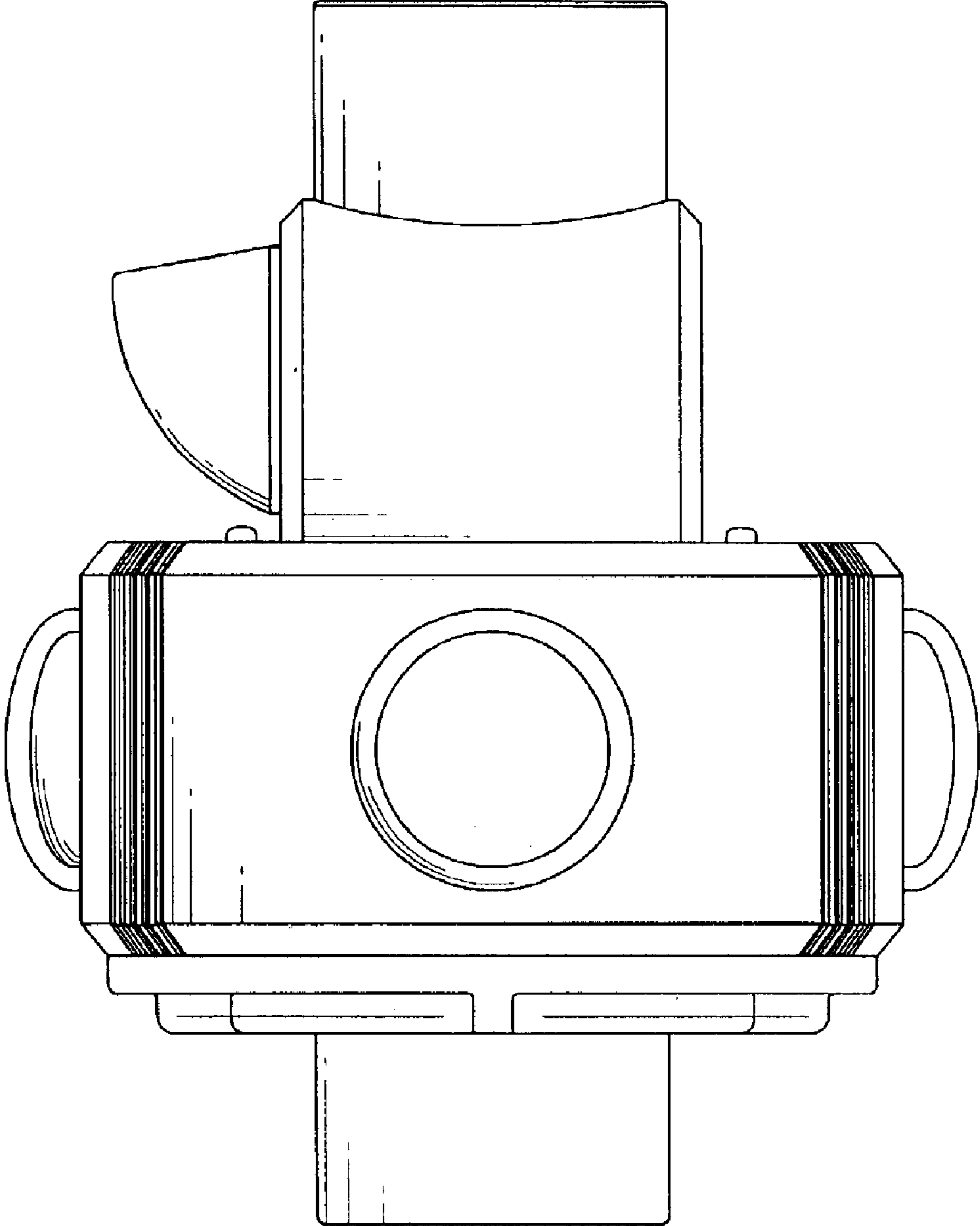


FIG. 5

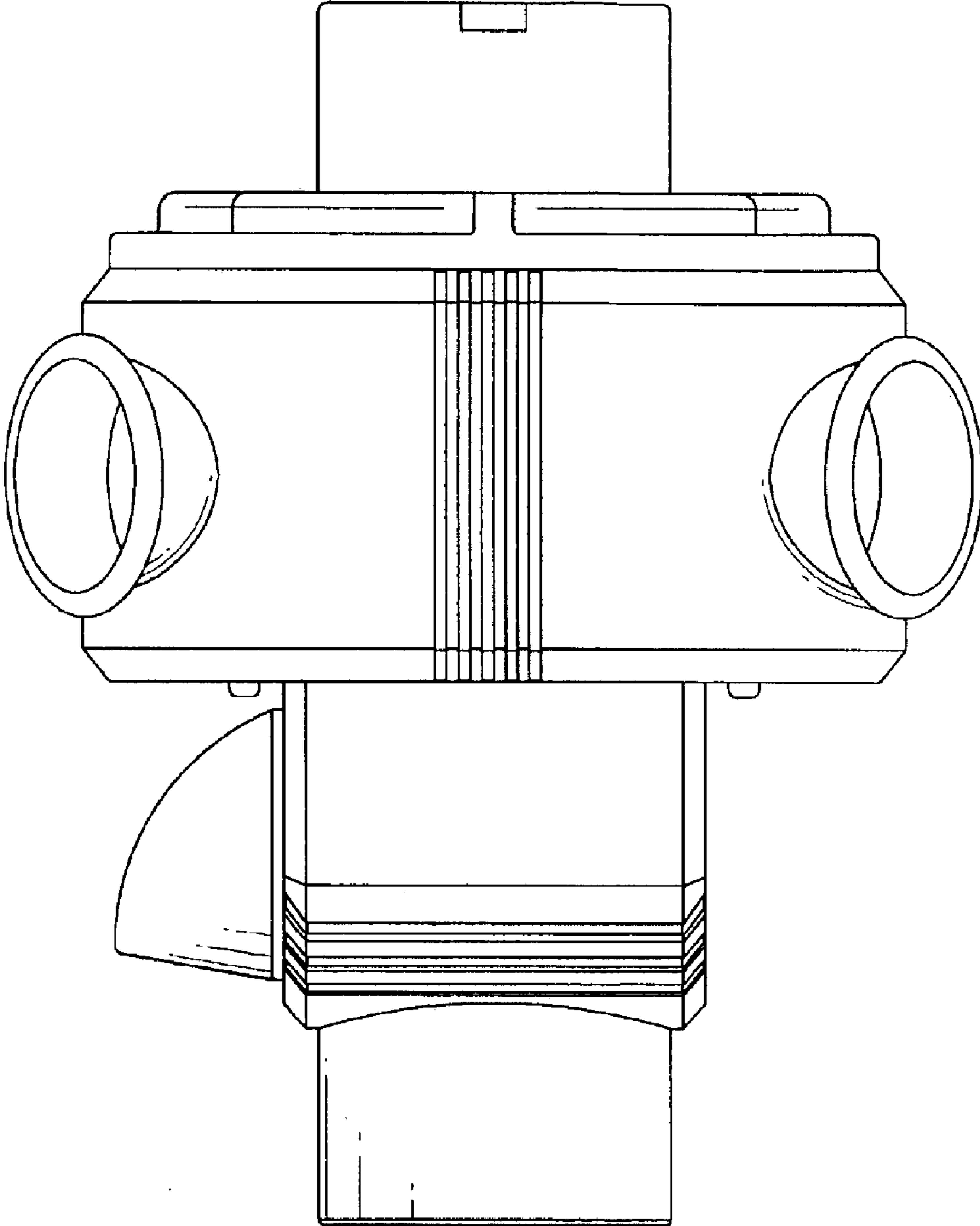


FIG. 6

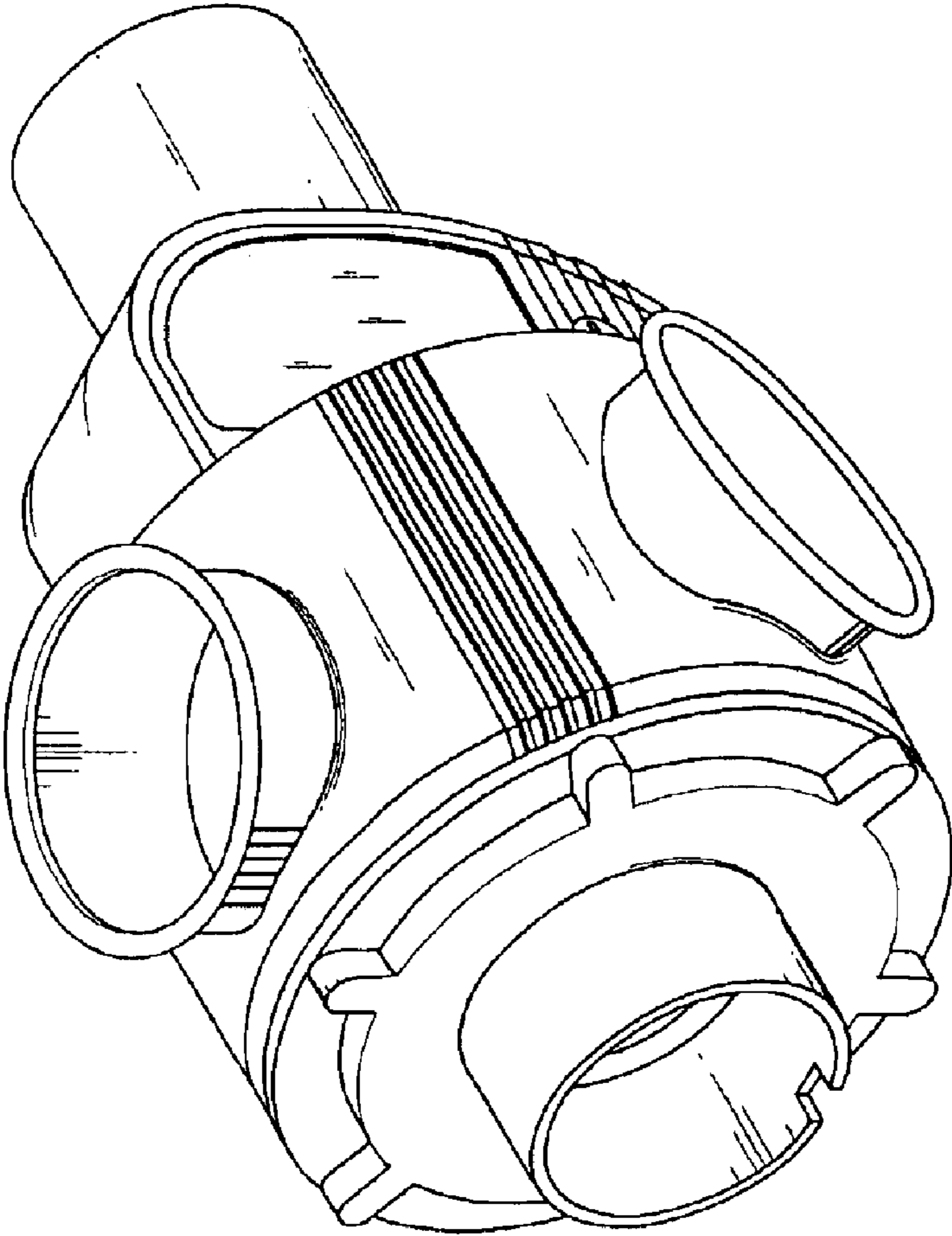


FIG. 7

UNITED STATES PATENT AND TRADEMARK OFFICE
CERTIFICATE OF CORRECTION

PATENT NO. : Des. 502,487 S
APPLICATION NO. : 29/181406
DATED : March 1, 2005
INVENTOR(S) : Su-Min Kung

Page 1 of 1

It is certified that error appears in the above-identified patent and that said Letters Patent is hereby corrected as shown below:

On the Title Page (75) "Inventor: Su-Min Kung, Shi-Jr (TW)" should read -- "Inventor: Su-Min Kung, Hsi Chih (TW)" --

On the Title Page (73) "Assignee: Hunter Optical Co., Ltd., Taipei (TW)" should read -- "Assignee: Hunter Optical Co., Ltd., Hsi Chih (TW)" --

Signed and Sealed this

Twenty Second Day of April, 2008

A handwritten signature in black ink that reads "Jon W. Dudas". The signature is written in a cursive style with a large, looped initial "J".

JON W. DUDAS

Director of the United States Patent and Trademark Office