



US00D502484S

(12) **United States Design Patent**
Nagayama et al.

(10) **Patent No.:** **US D502,484 S**
(45) **Date of Patent:** **** Mar. 1, 2005**

(54) **DIGITAL CAMERA**

D495,352 S * 8/2004 Sakaguchi et al. D16/202
D495,353 S * 8/2004 Komatsu D16/219
D496,380 S * 9/2004 Isomoto D16/202

(75) Inventors: **Yosuke Nagayama**, Tokyo (JP);
Kazuhito Sakaguchi, Sagamihara (JP);
Naoya Nishizawa, Tokyo (JP)

* cited by examiner

(73) Assignee: **Casio Keisanki Kabushiki Kaisha**,
Tokyo (JP)

Primary Examiner—Adir Aronovich
(74) *Attorney, Agent, or Firm*—Frishauf, Holtz, Goodman
& Chick, P.C.

(**) Term: **14 Years**

(57) **CLAIM**

(21) Appl. No.: **29/204,179**

The ornamental design for digital camera, as shown and described.

(22) Filed: **Apr. 26, 2004**

DESCRIPTION

(51) **LOC (7) Cl.** **16-05**

(52) **U.S. Cl.** **D16/219; D16/202**

(58) **Field of Search** D16/200–204,
D16/208, 209, 218, 219; 348/373–376;
358/906, 909.1; 396/535–541

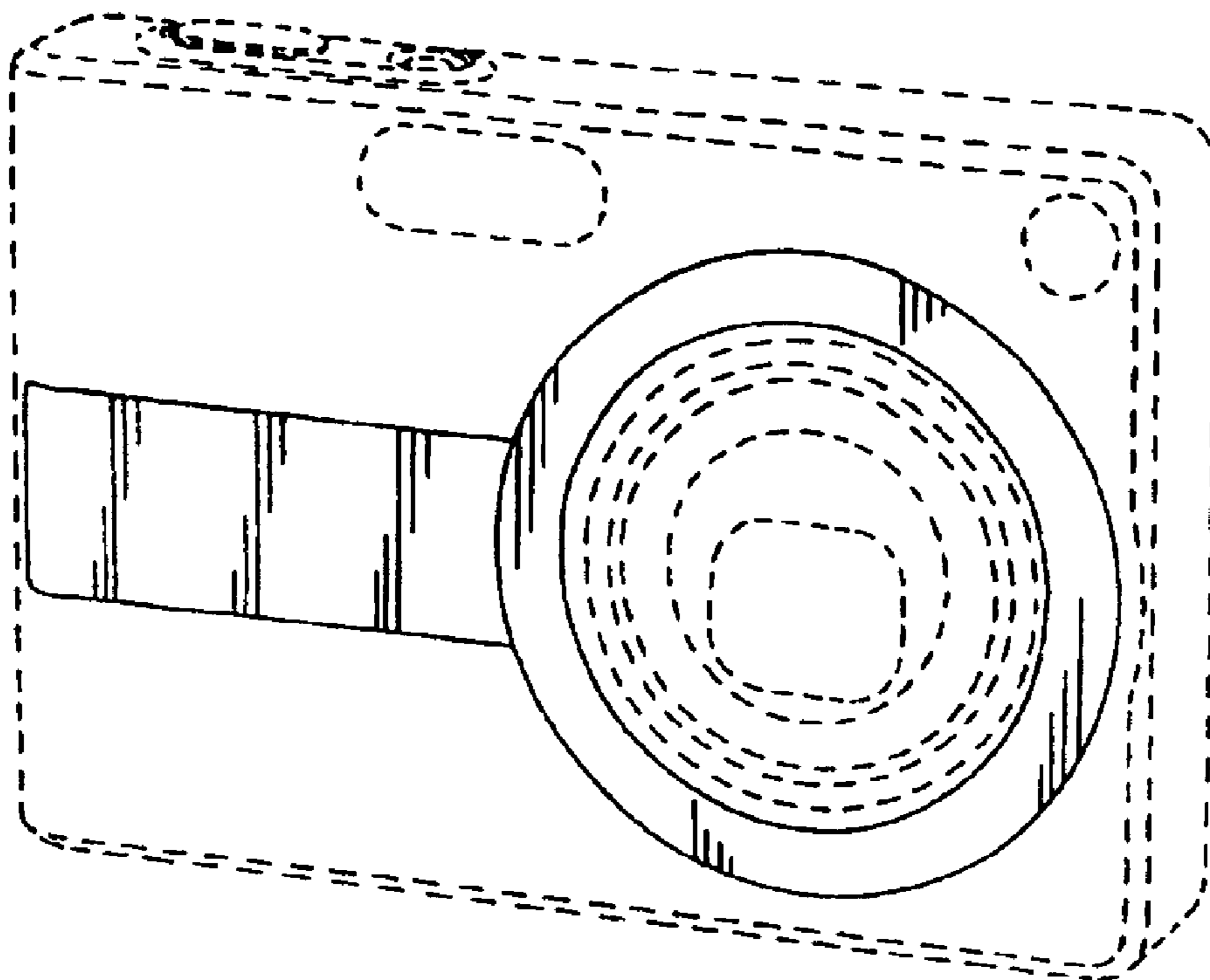
FIG. 1 is a reduced top, front, right side perspective view of a digital camera showing our new design; FIG. 2 is a front elevational view thereof; FIG. 3 is a rear elevational view thereof; FIG. 4 is a left side view thereof; FIG. 5 is a right side view thereof; FIG. 6 is a top plan view thereof; and, FIG. 7 is a bottom plan view thereof. The broken line showing is for illustrative purposes only and forms no part of the claimed design.

(56) **References Cited**

U.S. PATENT DOCUMENTS

D430,186 S * 8/2000 Suzuki et al. D16/202
D445,440 S * 7/2001 Chen D16/202
D487,476 S * 3/2004 Komatsu D16/219
D495,350 S * 8/2004 Yoo D16/202

1 Claim, 5 Drawing Sheets



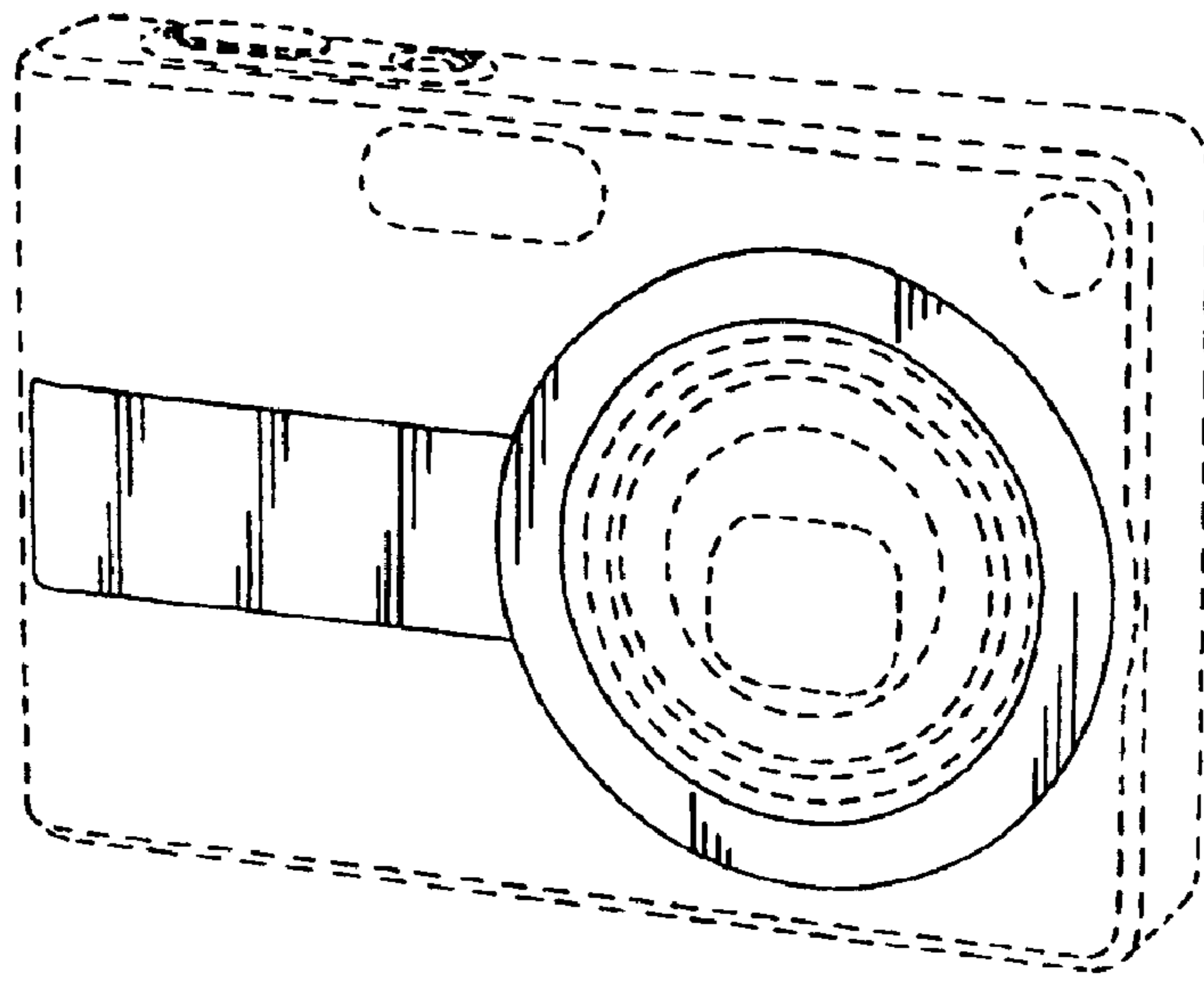


FIG. 1

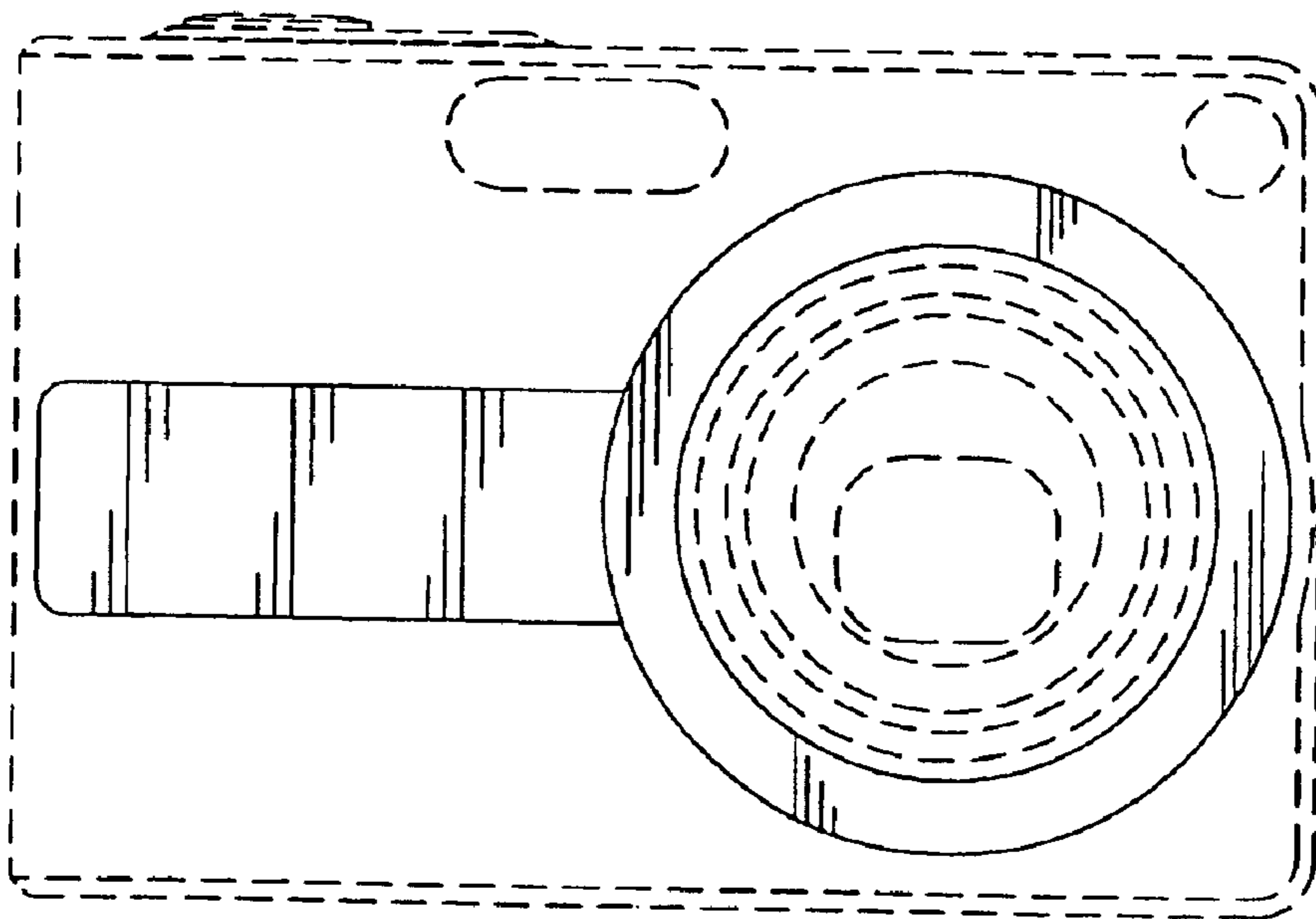


FIG. 2

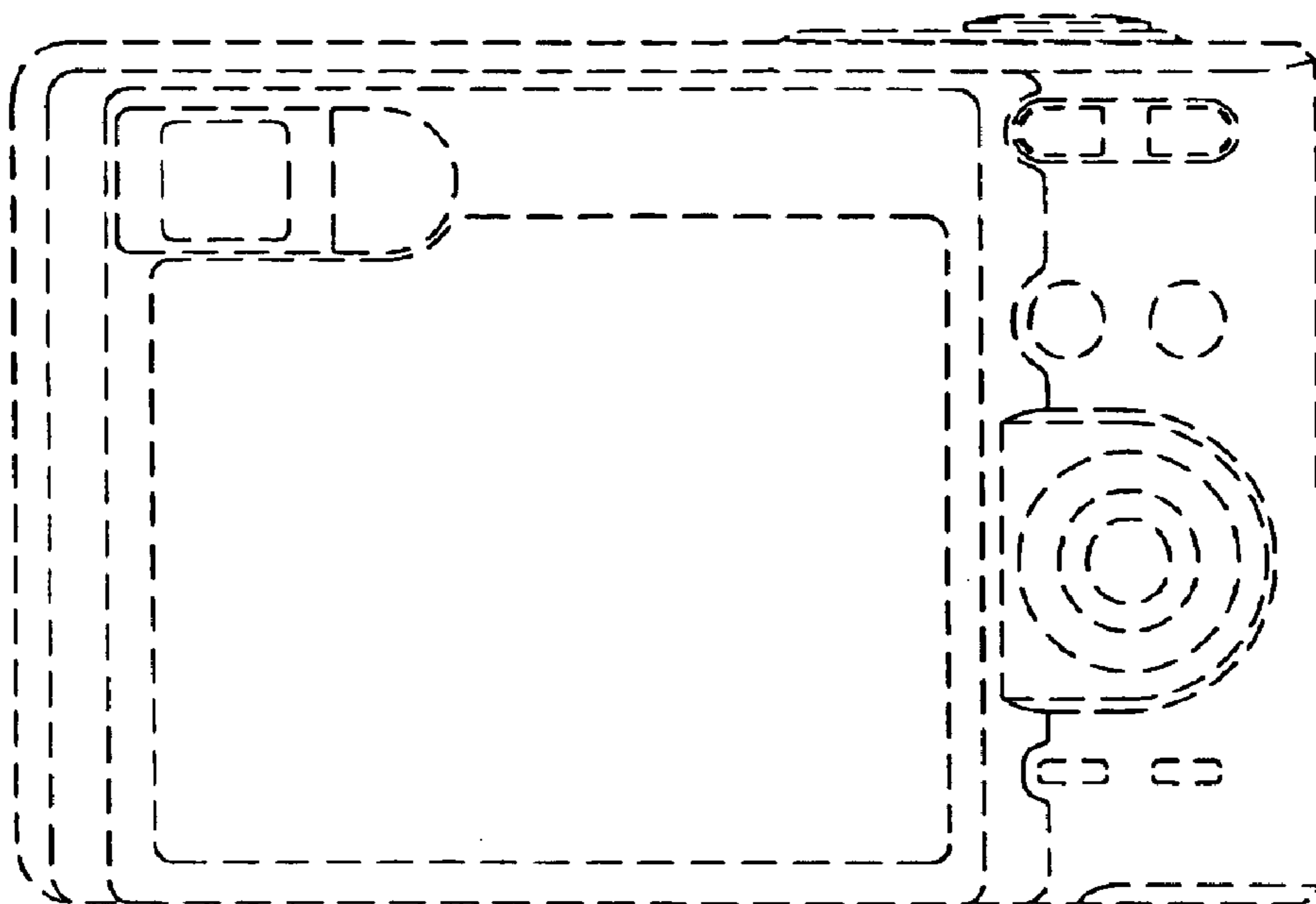


FIG. 3

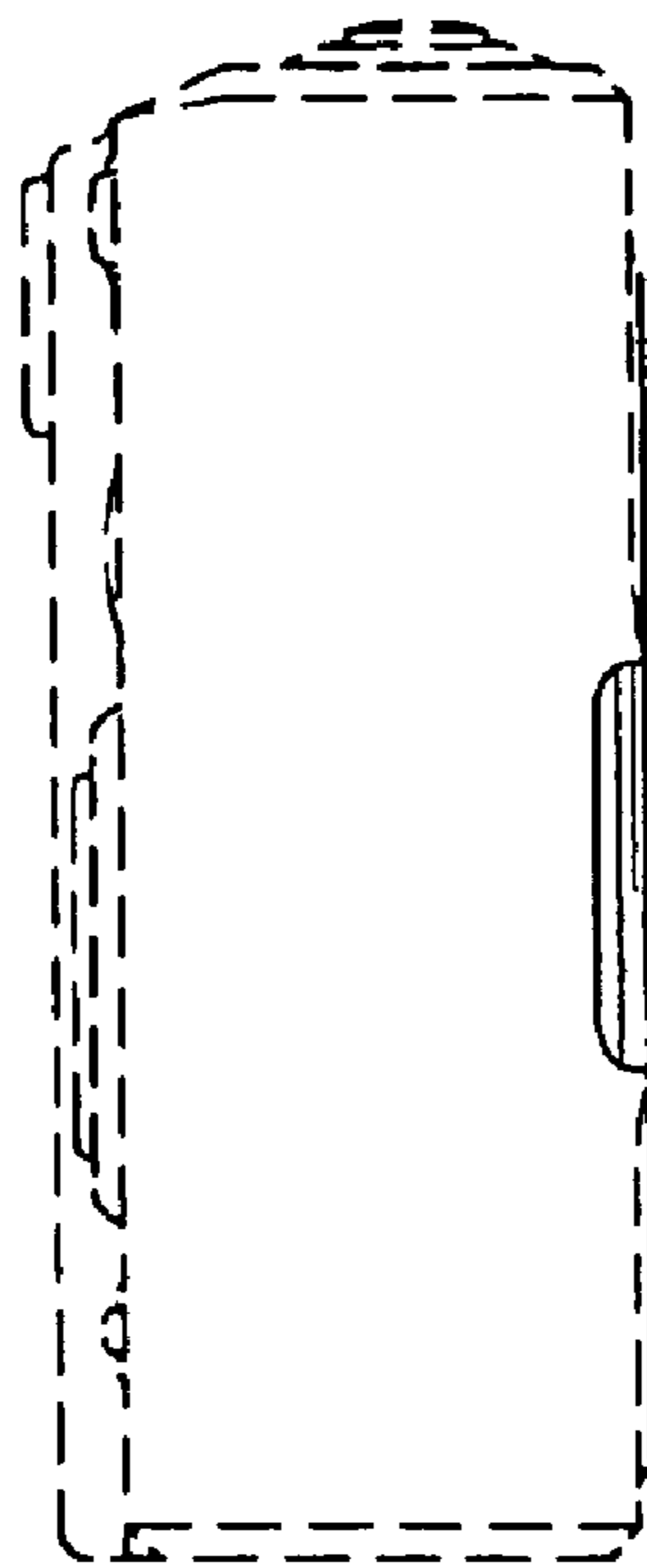


FIG. 4

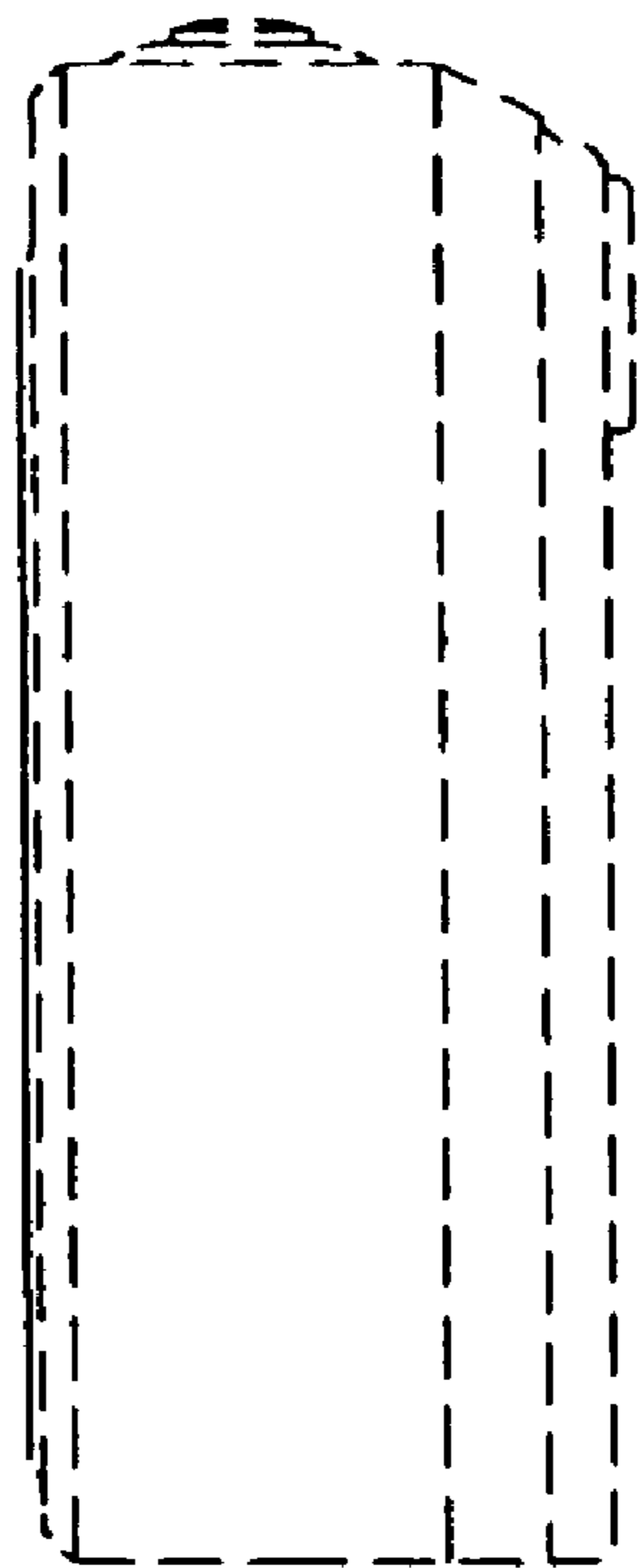


FIG. 5

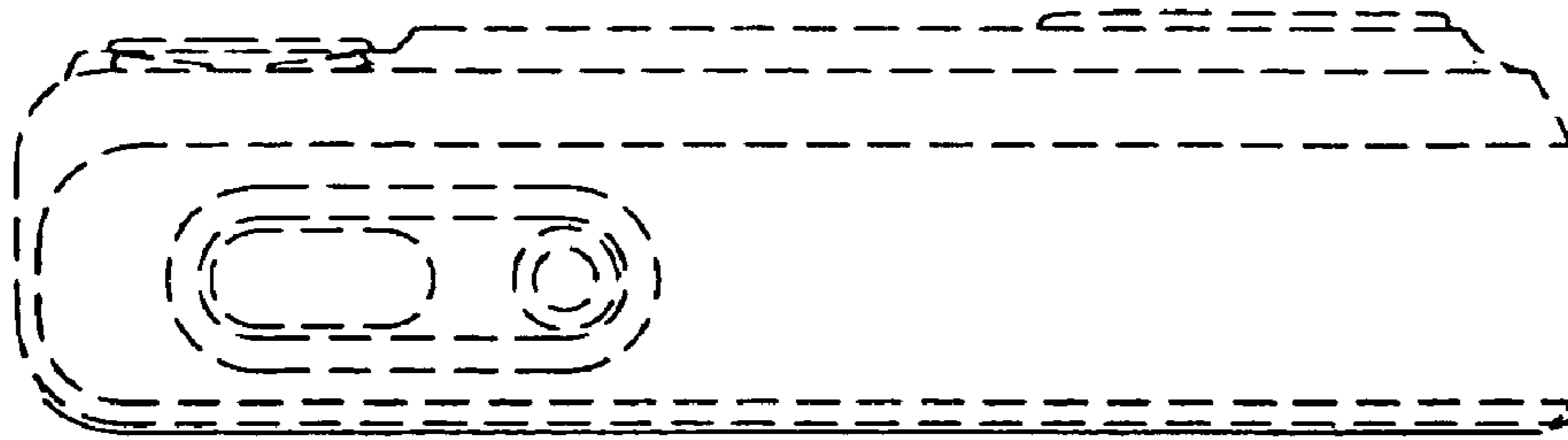


FIG. 6



FIG. 7