

US00D502482S

(12) **United States Design Patent**
Urushihata

(10) **Patent No.:** **US D502,482 S**
(45) **Date of Patent:** **** Mar. 1, 2005**

(54) **CAMERA**

(75) **Inventor:** **Mutsumi Urushihata, Hino (JP)**

(73) **Assignee:** **Olympus Corporation, Tokyo (JP)**

(**) **Term:** **14 Years**

(21) **Appl. No.:** **29/186,105**

(22) **Filed:** **Jul. 8, 2003**

(30) **Foreign Application Priority Data**

May 13, 2003 (JP) 2003-013240

(51) **LOC (7) Cl.** **16-01**

(52) **U.S. Cl.** **D16/209**

(58) **Field of Search** D16/200-204,
D16/208, 209, 212, 218; 396/535-541

(56) **References Cited**

U.S. PATENT DOCUMENTS

- D351,400 S * 10/1994 Suyama et al. D16/209
- D353,153 S * 12/1994 Isozaki D16/209
- D356,808 S * 3/1995 Nagaoka D16/209
- D363,503 S * 10/1995 Ina D16/209

- D440,591 S * 4/2001 Nasu D16/209
- D483,389 S * 12/2003 Nasu D16/209

* cited by examiner

Primary Examiner—Adir Aronovich

(74) *Attorney, Agent, or Firm*—Hogan & Hartson LLP

(57) **CLAIM**

The ornamental design for a camera, as shown and described.

DESCRIPTION

FIG. 1 is a perspective view showing of a camera as our novel design, which is seen from the front side obliquely from upper right side;

FIG. 2 is a perspective view thereof, which is seen from the rear side obliquely from lower right side;

FIG. 3 is a front view thereof;

FIG. 4 is a rear view thereof;

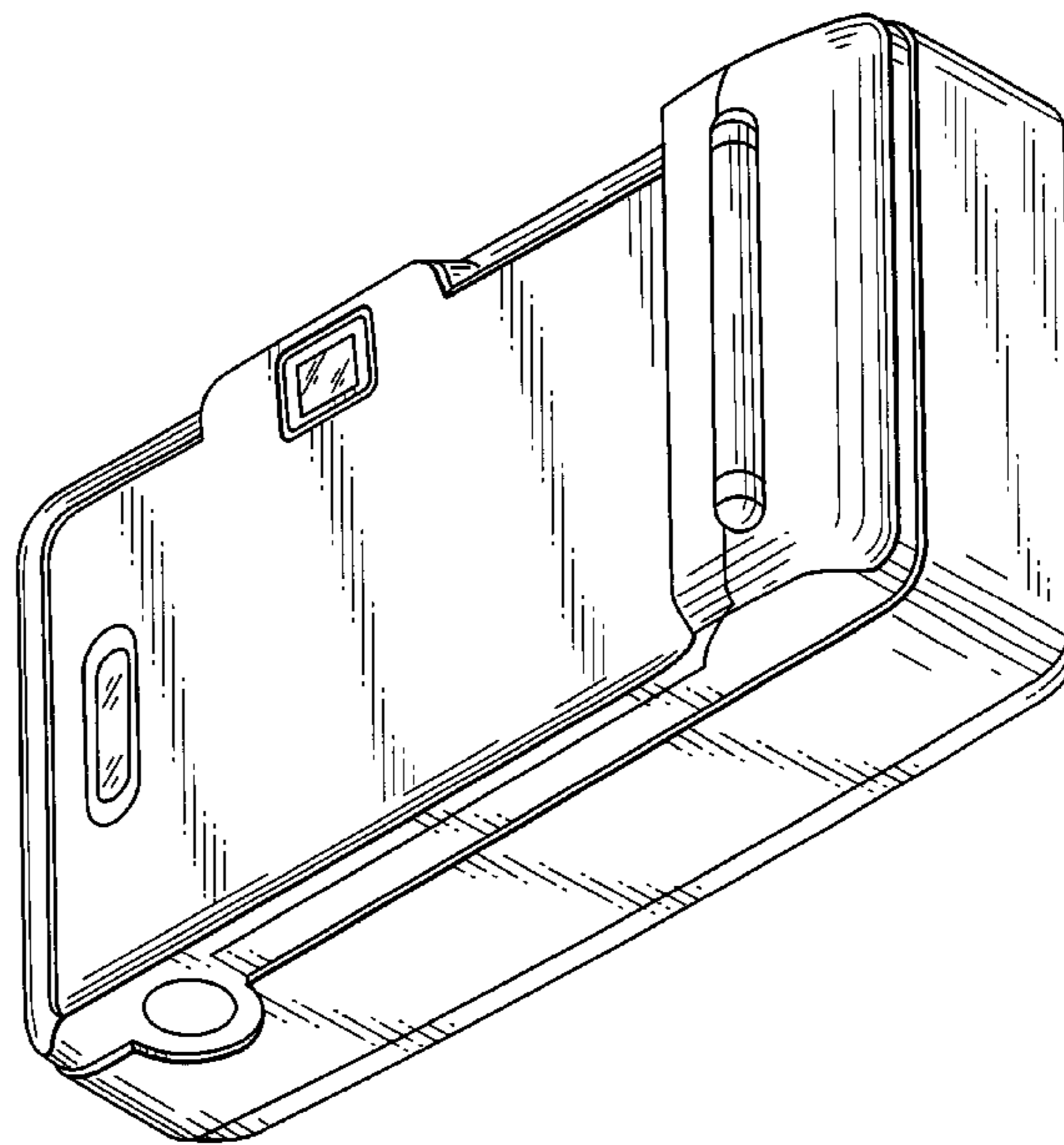
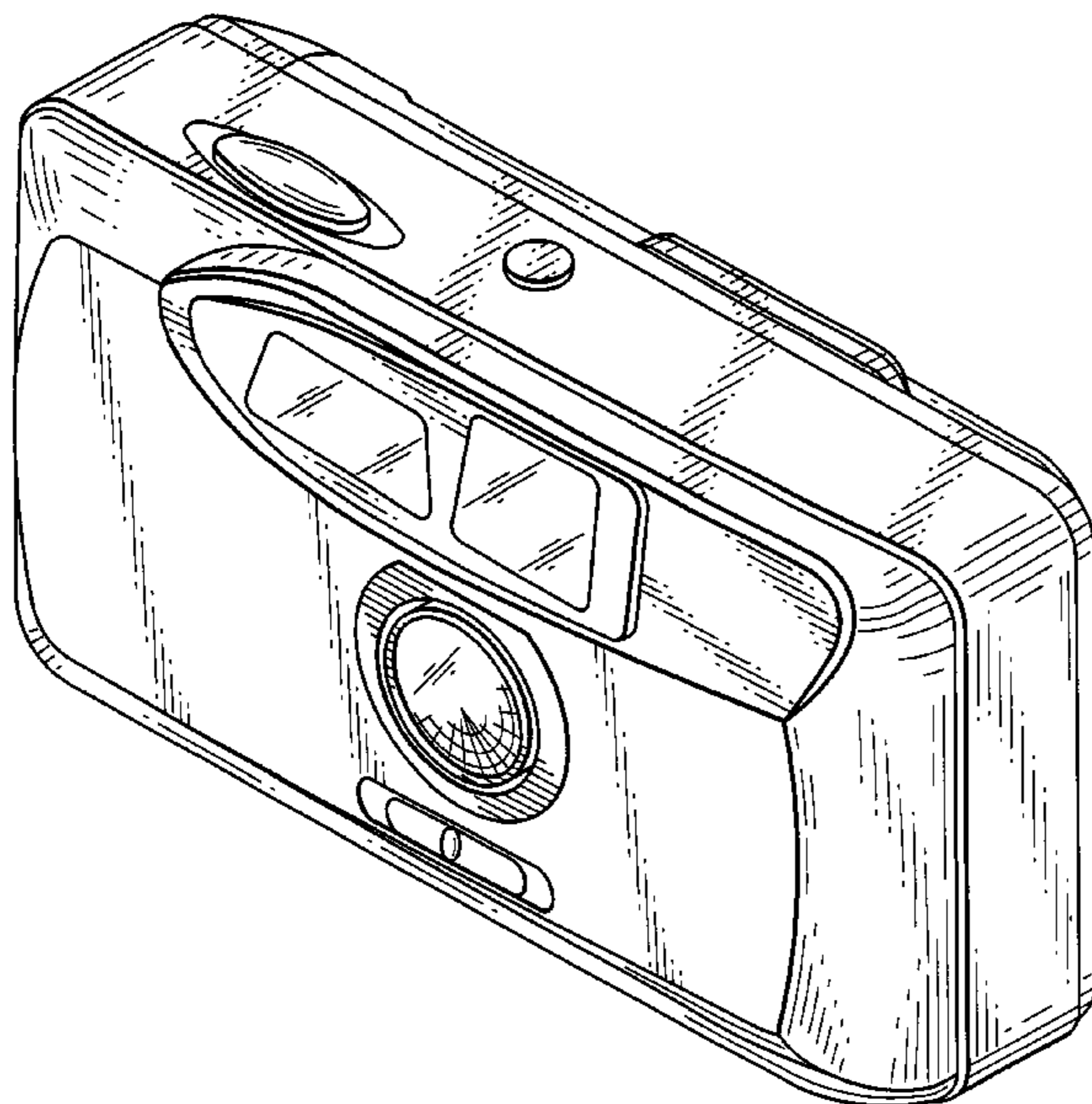
FIG. 5 is a plan view thereof;

FIG. 6 is a bottom plan view thereof;

FIG. 7 is a right side view thereof; and,

FIG. 8 is a left side view thereof.

1 Claim, 5 Drawing Sheets



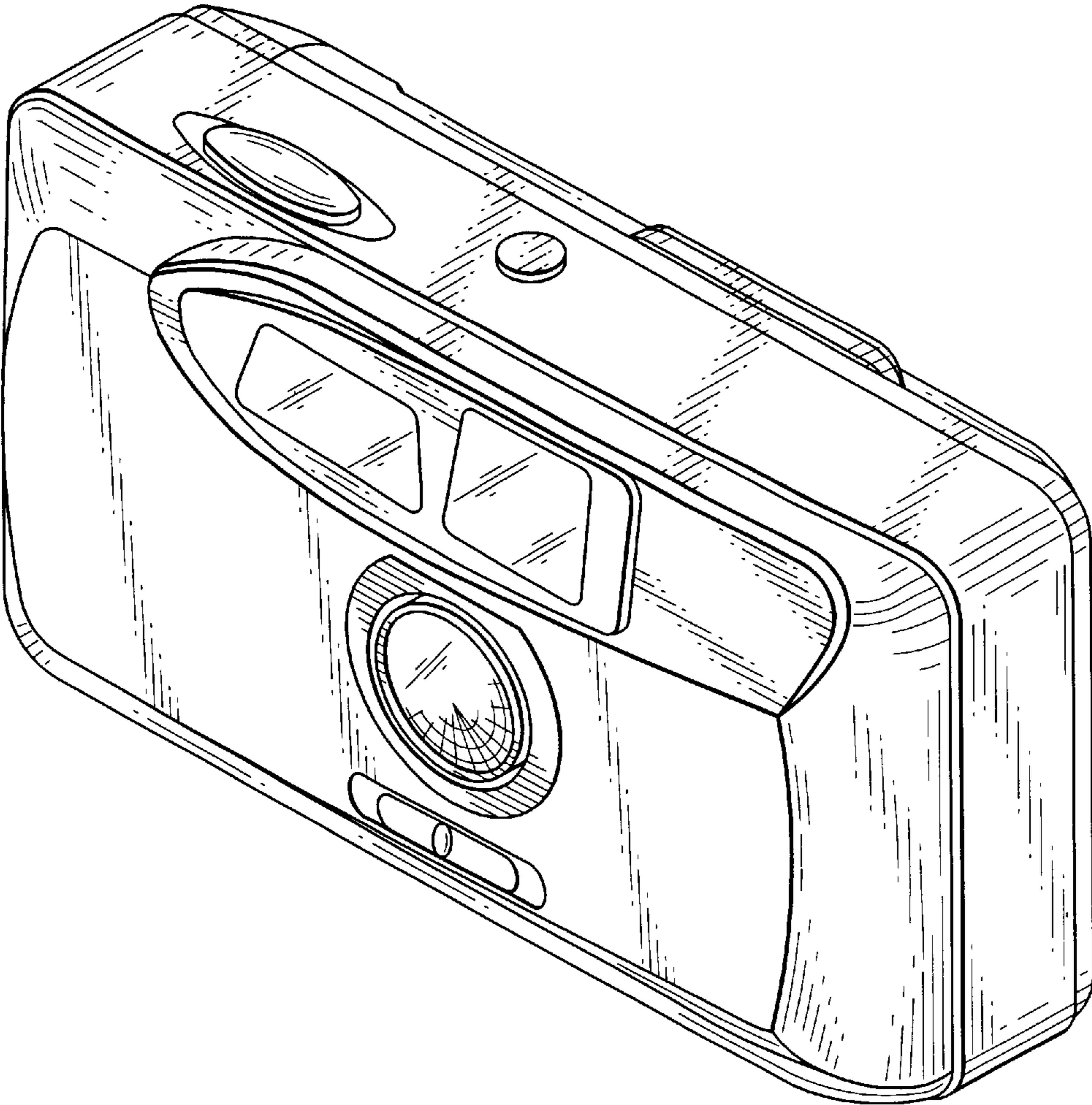


FIG. 1

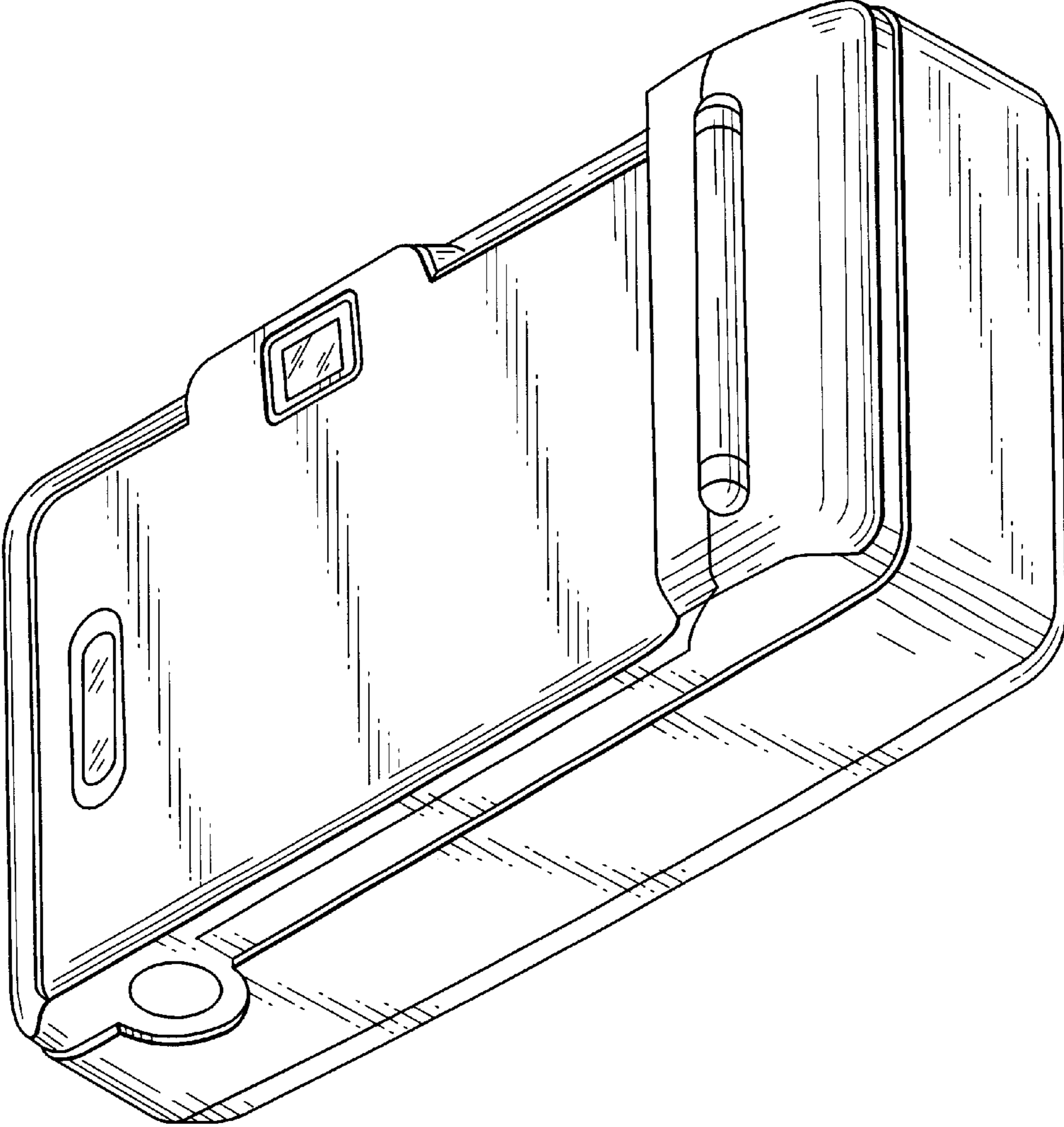


FIG. 2

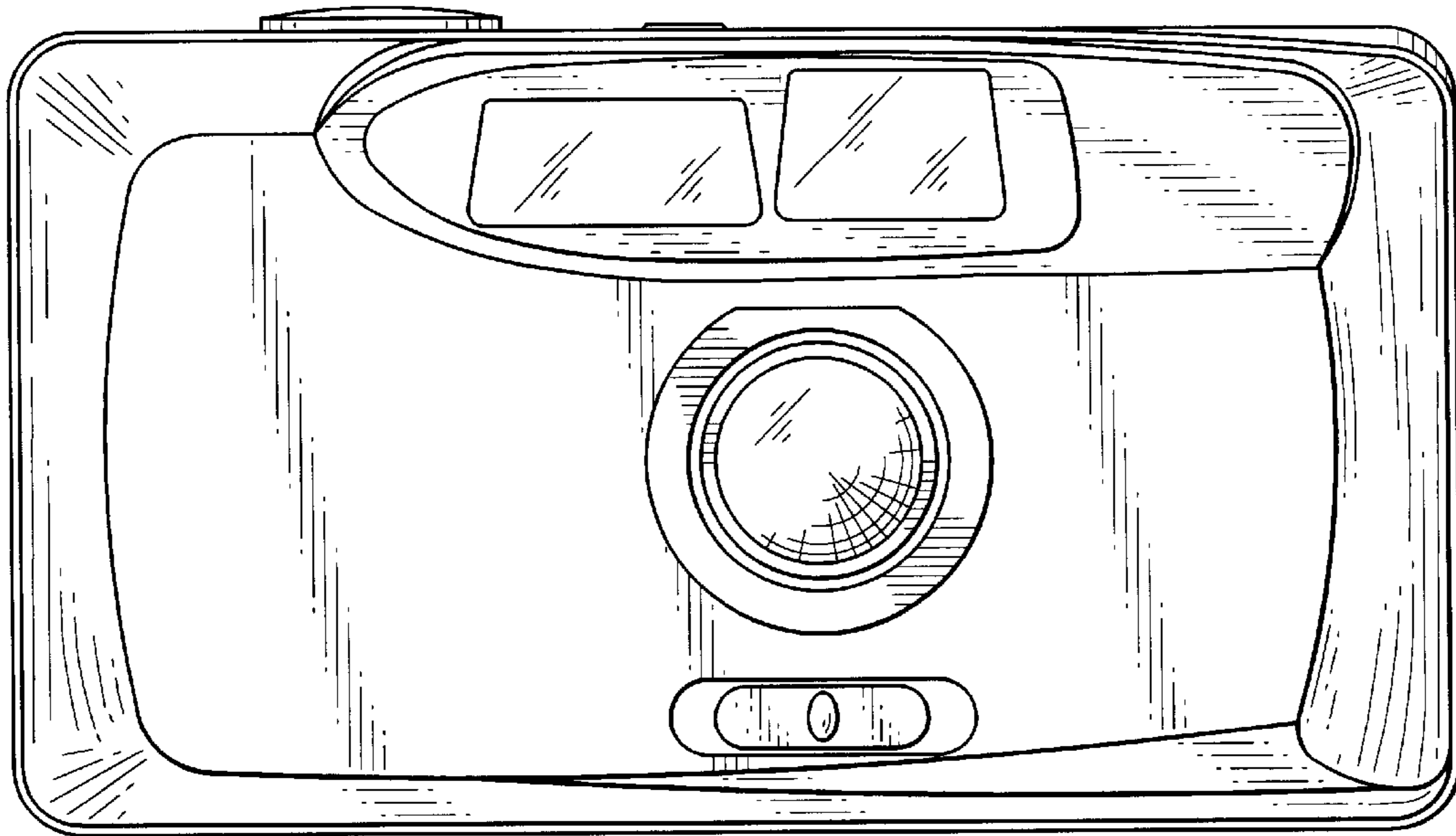


FIG. 3

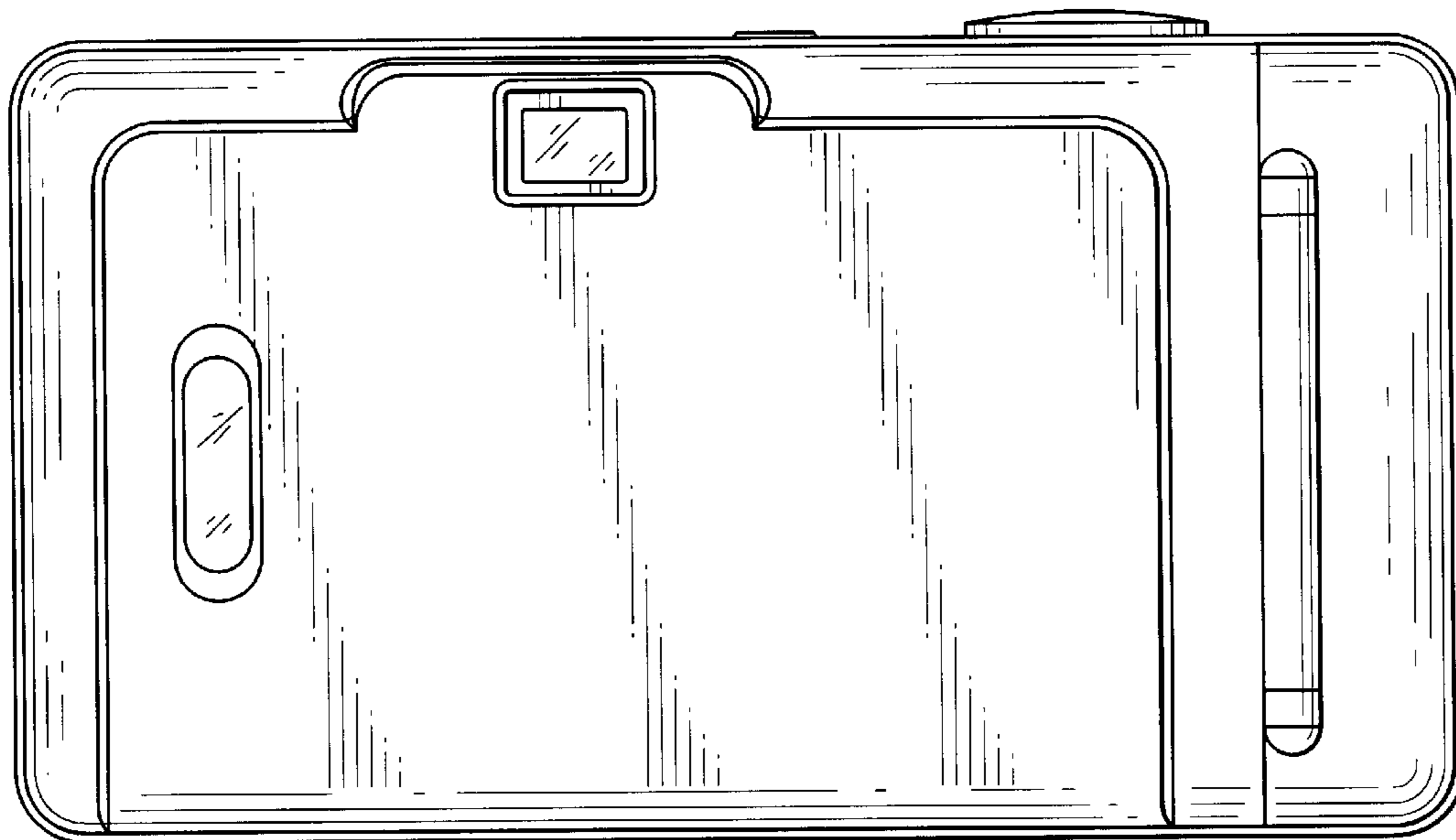


FIG. 4

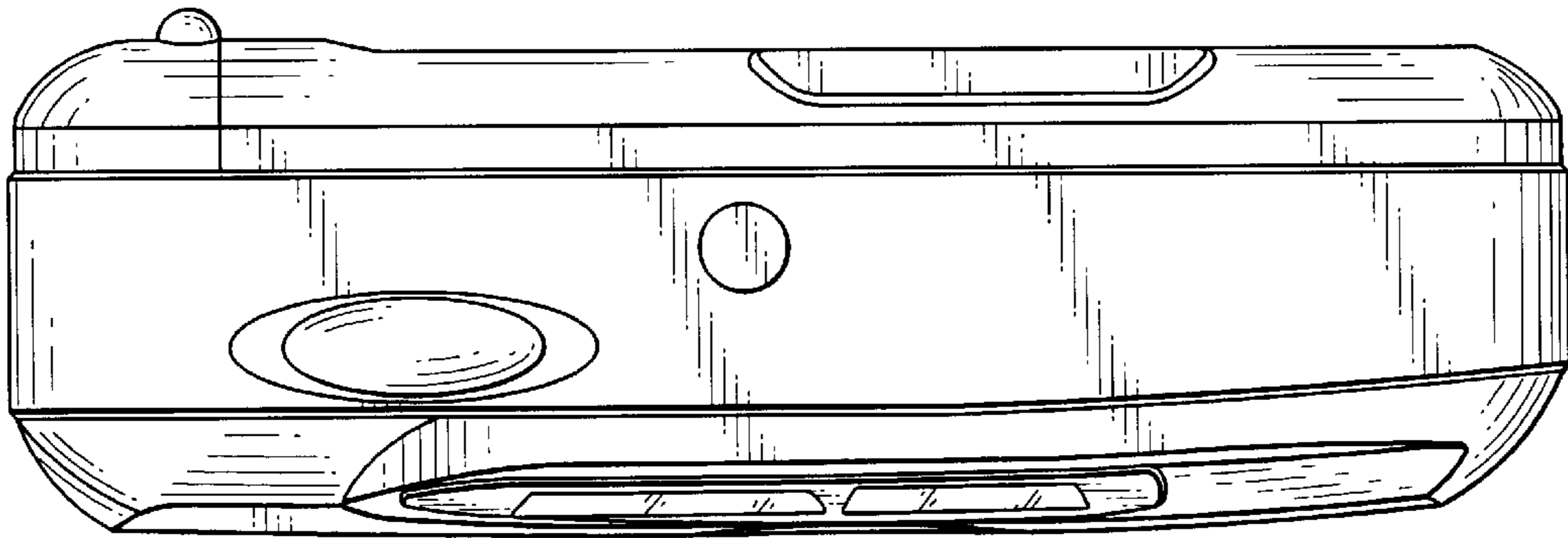


FIG. 5

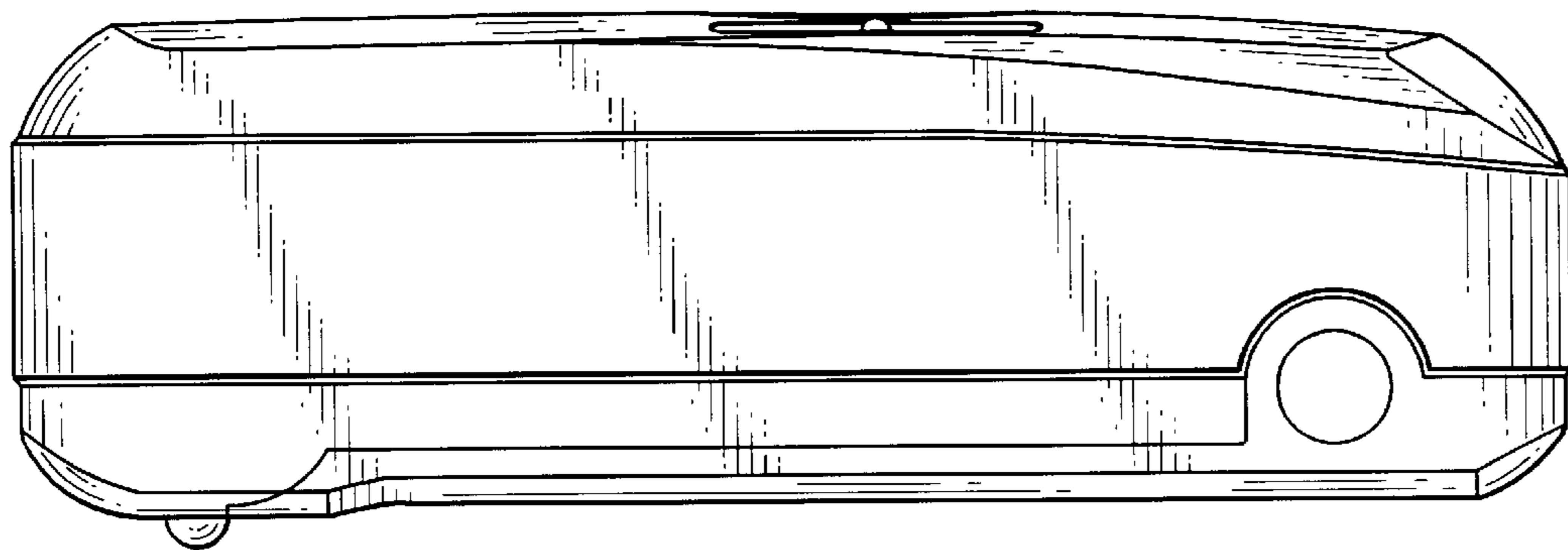


FIG. 6



FIG. 7

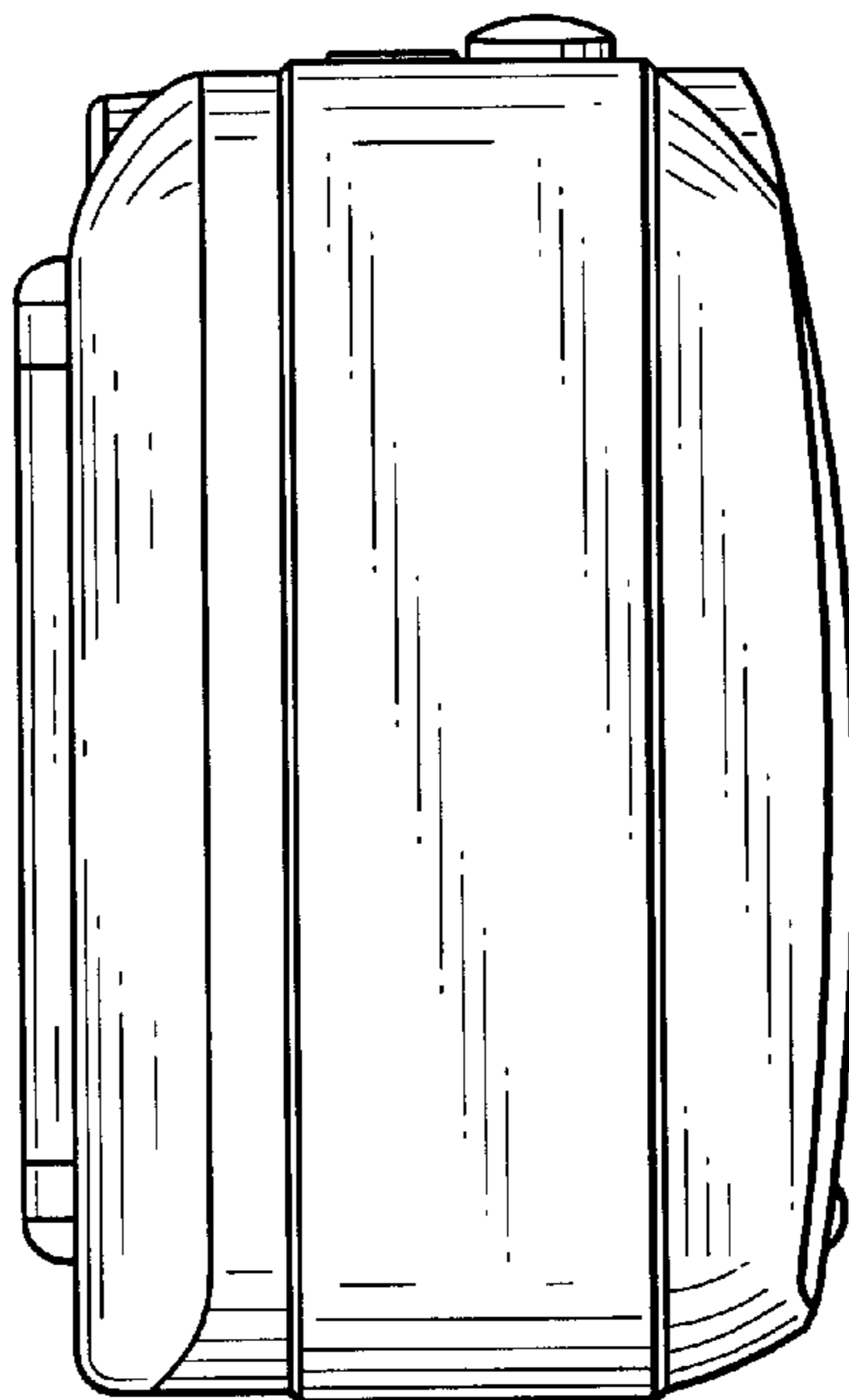


FIG. 8