

US00D502481S

(12) **United States Design Patent** (10) **Patent No.:** **US D502,481 S**  
**Hines et al.** (45) **Date of Patent:** **\*\* Mar. 1, 2005**

(54) **COMBINATION BINOCULARS AND CAMERA**

(75) Inventors: **David M. Hines**, Santa Ana, CA (US);  
**Andres Dandler**, Aliso Viejo, CA (US);  
**Jaime Canedo**, Irvine, CA (US)

(73) Assignee: **Meade Instruments Corp.**, Irvine, CA (US)

(\*\*) Term: **14 Years**

(21) Appl. No.: **29/185,776**

(22) Filed: **Jul. 1, 2003**

(51) **LOC (7) Cl.** ..... **16-01**

(52) **U.S. Cl.** ..... **D16/208**

(58) **Field of Search** ..... D16/130, 133,  
D16/200-204, 208, 211, 218, 219; 359/407-413;  
396/429, 432, 535-541

(56) **References Cited**

**U.S. PATENT DOCUMENTS**

2,882,791 A	4/1959	Moller et al.	
2,955,156 A	10/1960	Heilig	
3,833,758 A	9/1974	Ferrari	
3,981,021 A	9/1976	Beecher	
4,067,027 A	1/1978	Yamazaki	
D259,569 S	6/1981	Nishioka	
D262,632 S	1/1982	Yamazaki	
4,443,819 A	4/1984	Funada et al.	
4,445,766 A *	5/1984	Yamazaki	396/432
4,450,487 A	5/1984	Koide	
4,496,981 A	1/1985	Ota	
4,539,701 A	9/1985	Galbreath et al.	
4,571,628 A	2/1986	Thornton	
4,676,619 A	6/1987	Woolley	
D303,534 S *	9/1989	Lane et al.	D16/218
4,915,487 A	4/1990	Riddell, III et al.	
5,040,068 A	8/1991	Parulski et al.	
5,307,202 A	4/1994	Martino et al.	
D353,388 S	12/1994	Matsushita	
5,416,633 A	5/1995	Michel et al.	
D365,831 S	1/1996	Miyahara et al.	
D365,832 S	1/1996	Miyahara et al.	
5,579,165 A	11/1996	Michel et al.	

5,861,994 A	1/1999	Kelly	
D412,177 S *	7/1999	Fujii	D16/133
5,986,803 A	11/1999	Kelly	
5,999,299 A	12/1999	Chan et al.	
6,067,190 A	5/2000	Kelly	
6,088,053 A	7/2000	Hammack et al.	
D448,394 S *	9/2001	Ueda et al.	D16/133
6,499,594 B1 *	12/2002	Koch	359/407
D476,349 S *	6/2003	Fujii	D16/208
D484,899 S	1/2004	Yanagisawa	
D484,900 S	1/2004	Lee et al.	
D488,178 S *	4/2004	Huang	D16/218
2002/0109785 A1	8/2002	Hammack et al.	

**OTHER PUBLICATIONS**

Brochure by Meade Instruments Corporation for Travel-View Binoculars "CaptureView", undated.  
Meade Instruments Corporation website print-out for Meade Sports Optics—Capture View, 2003.  
Target weekly ad containing Bushnell Binoculars with built-in digital camera, undated.

\* cited by examiner

*Primary Examiner*—Adir Aronovich

(74) *Attorney, Agent, or Firm*—Knobbe Martens Olson & Bear LLP

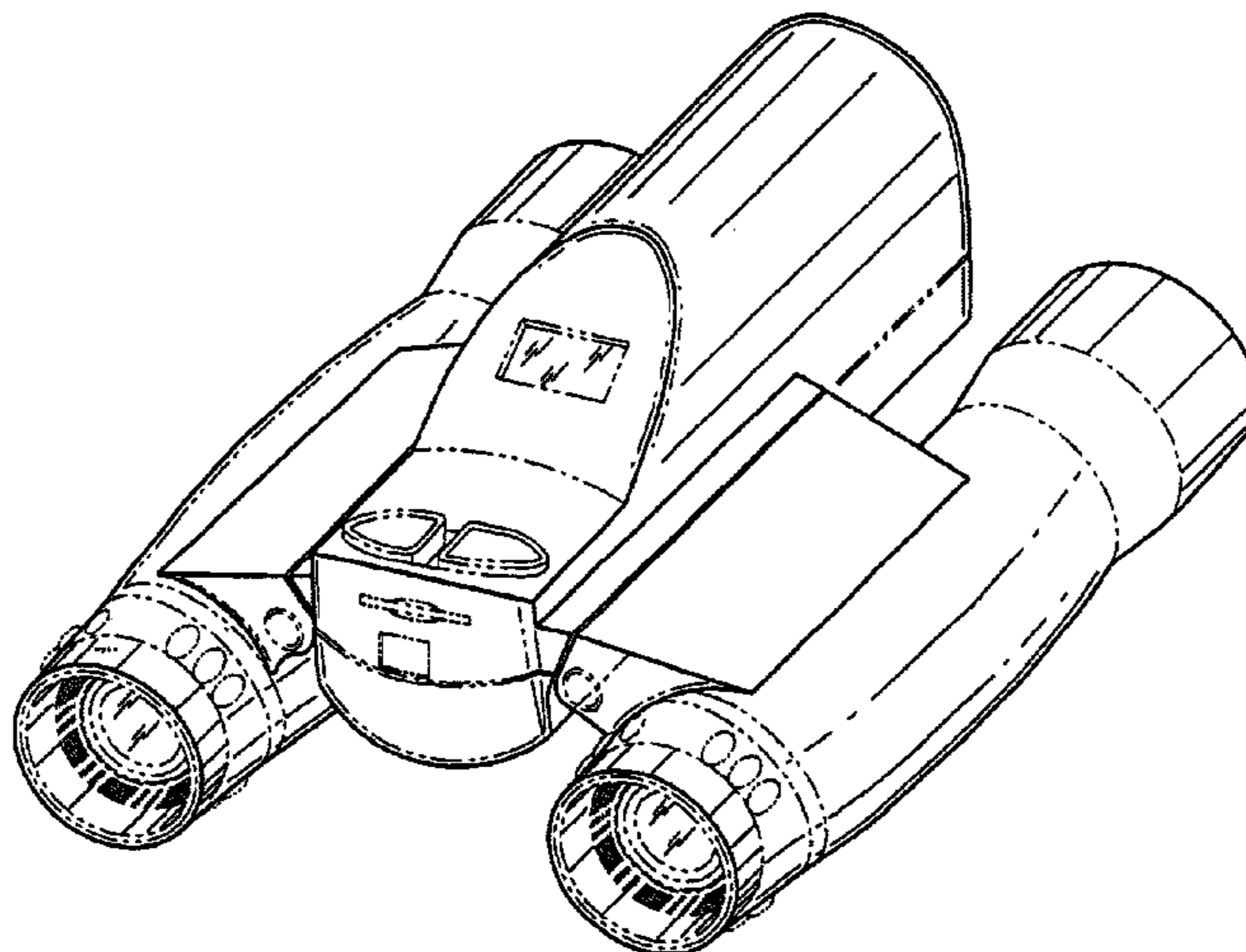
(57) **CLAIM**

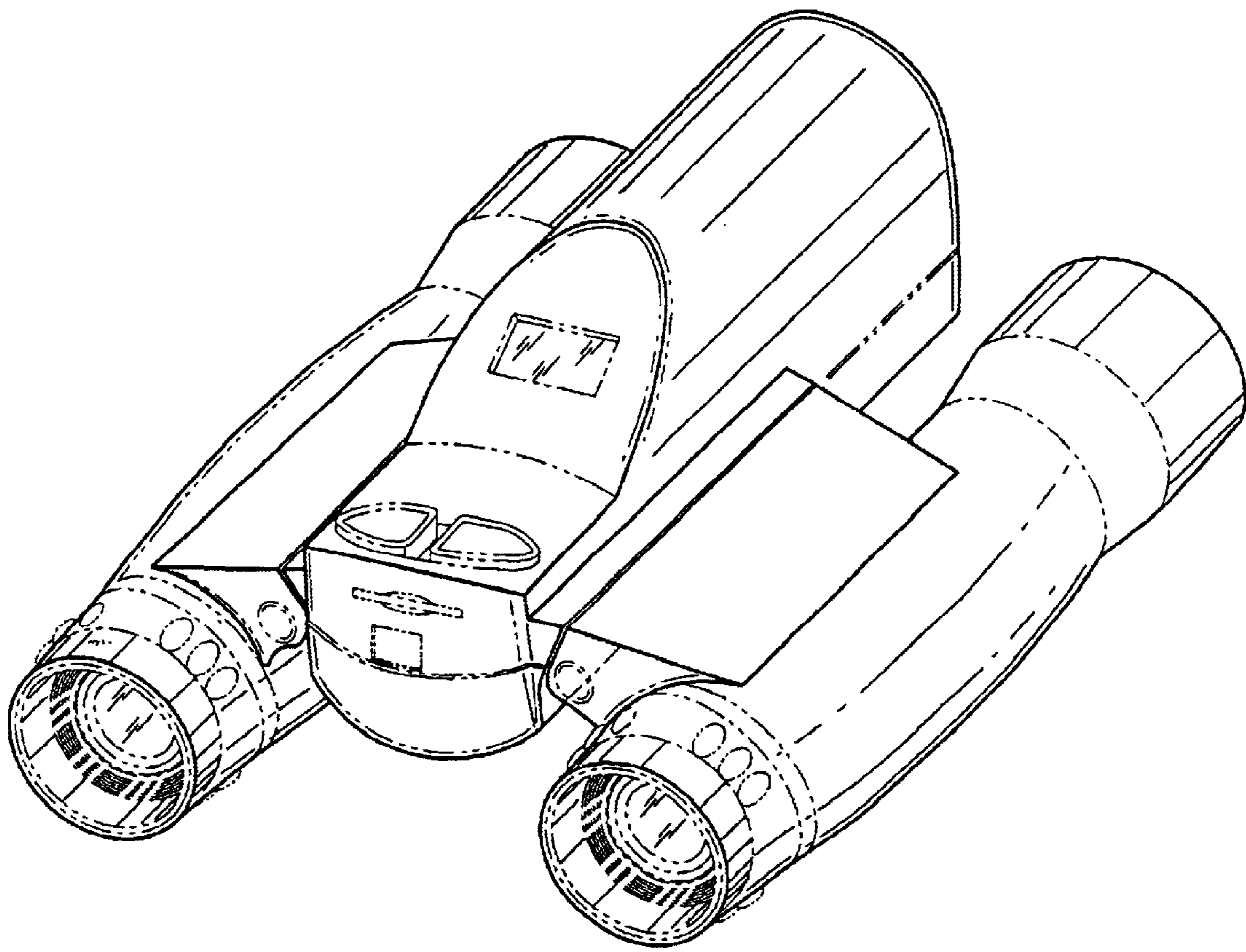
The ornamental design for a combination binoculars and camera, as shown and described.

**DESCRIPTION**

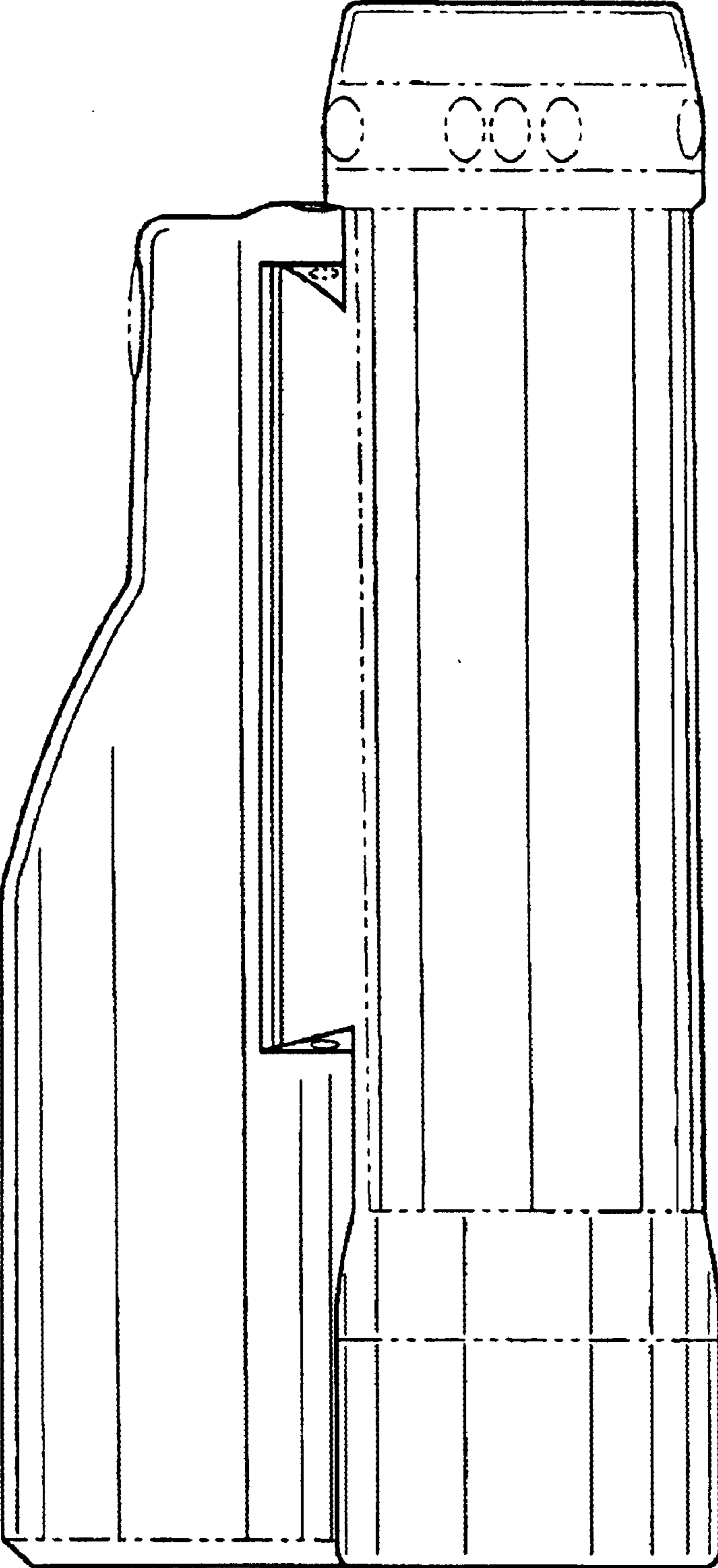
FIG. 1 is a front perspective view of a combination binoculars and camera showing our new design;  
FIG. 2 is a right side elevational view thereof, the left side elevational view being a mirror image thereof;  
FIG. 3 is a top plan view thereof;  
FIG. 4 is a rear elevational view thereof;  
FIG. 5 is a front elevational view thereof; and,  
FIG. 6 is a bottom plan view thereof.  
The portions of the article in broken lines are shown for illustrative purposes only and form no part of the claimed design.

**1 Claim, 6 Drawing Sheets**

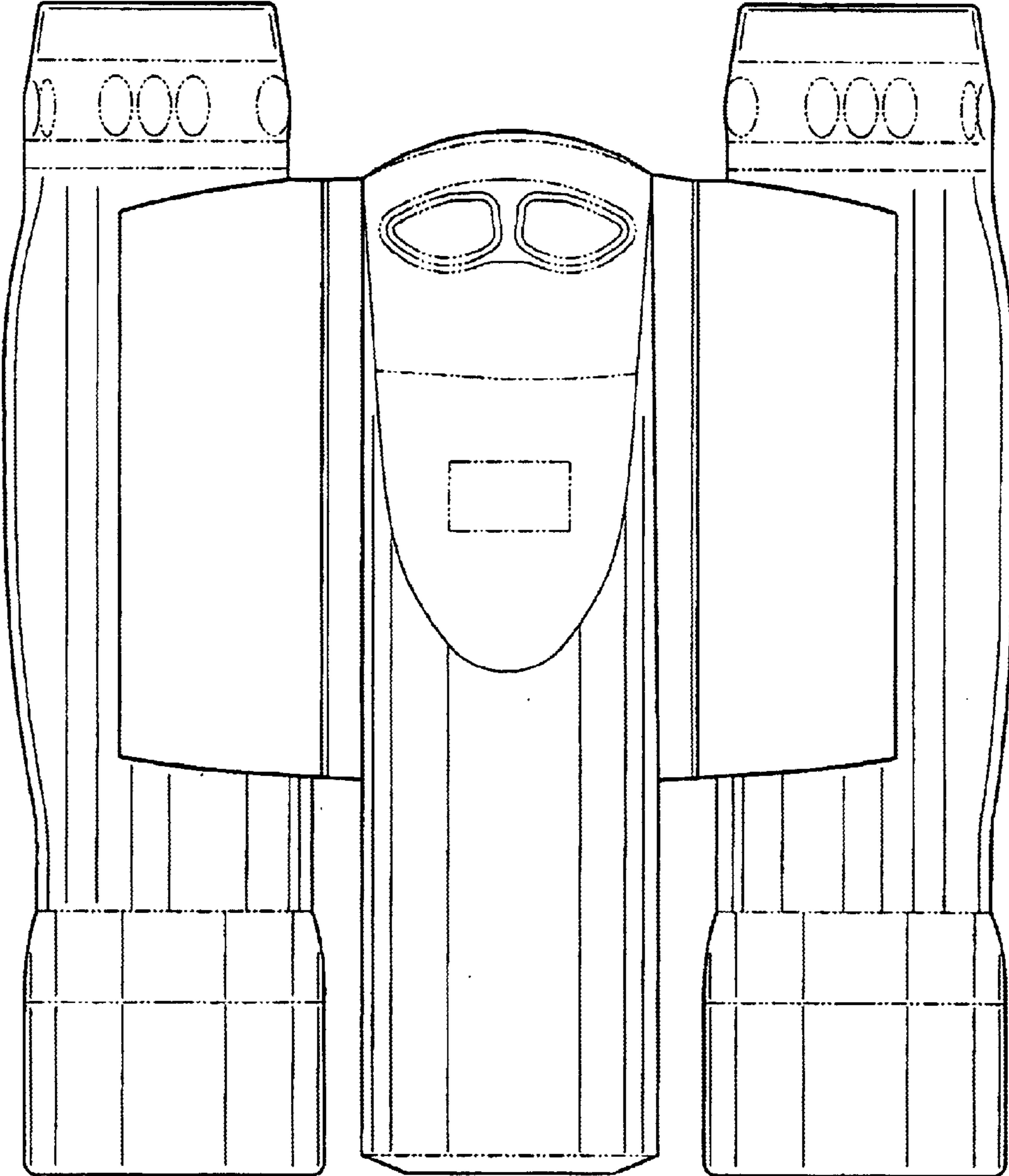




**FIG. 1**

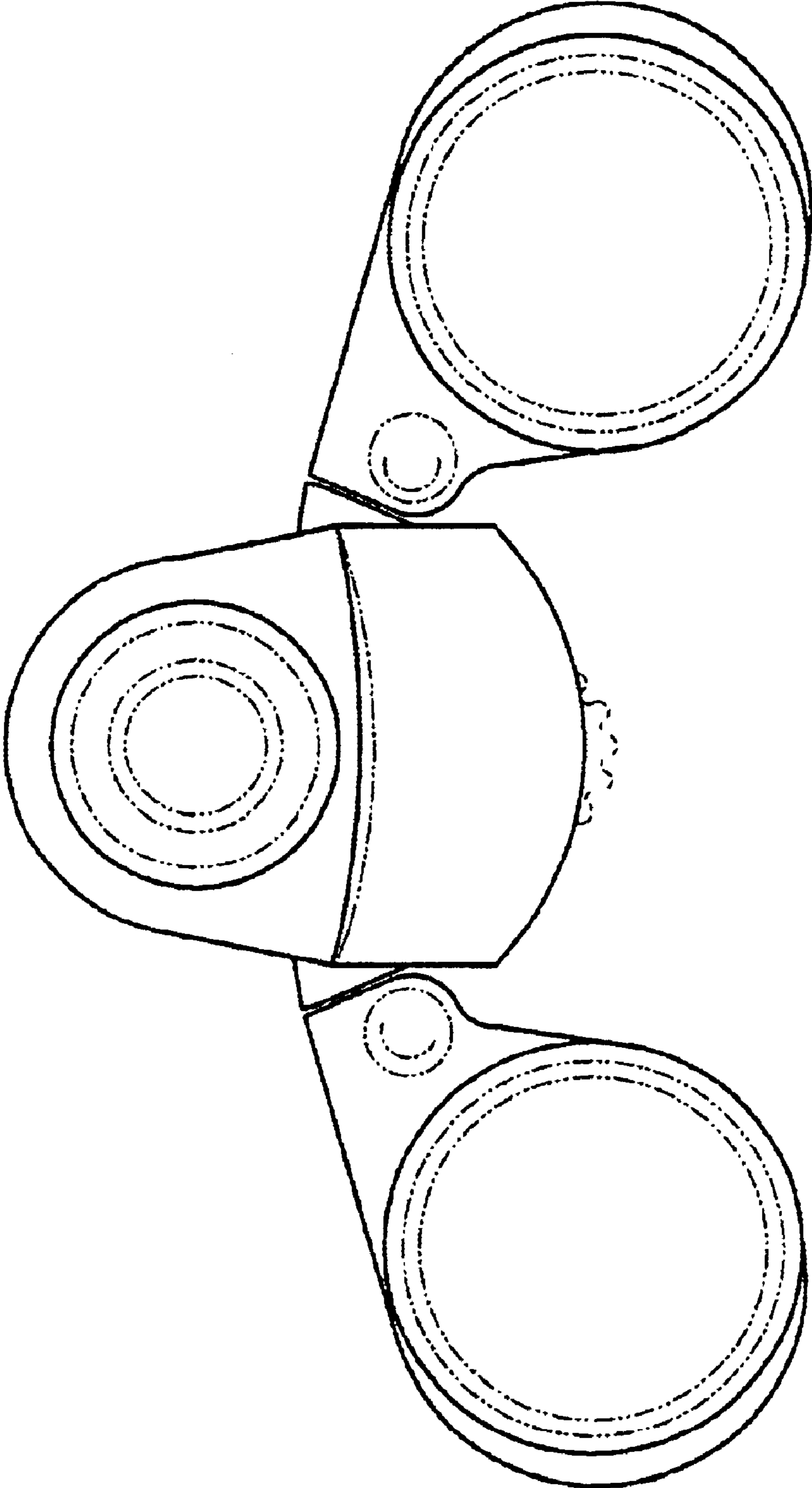


**FIG. 2**

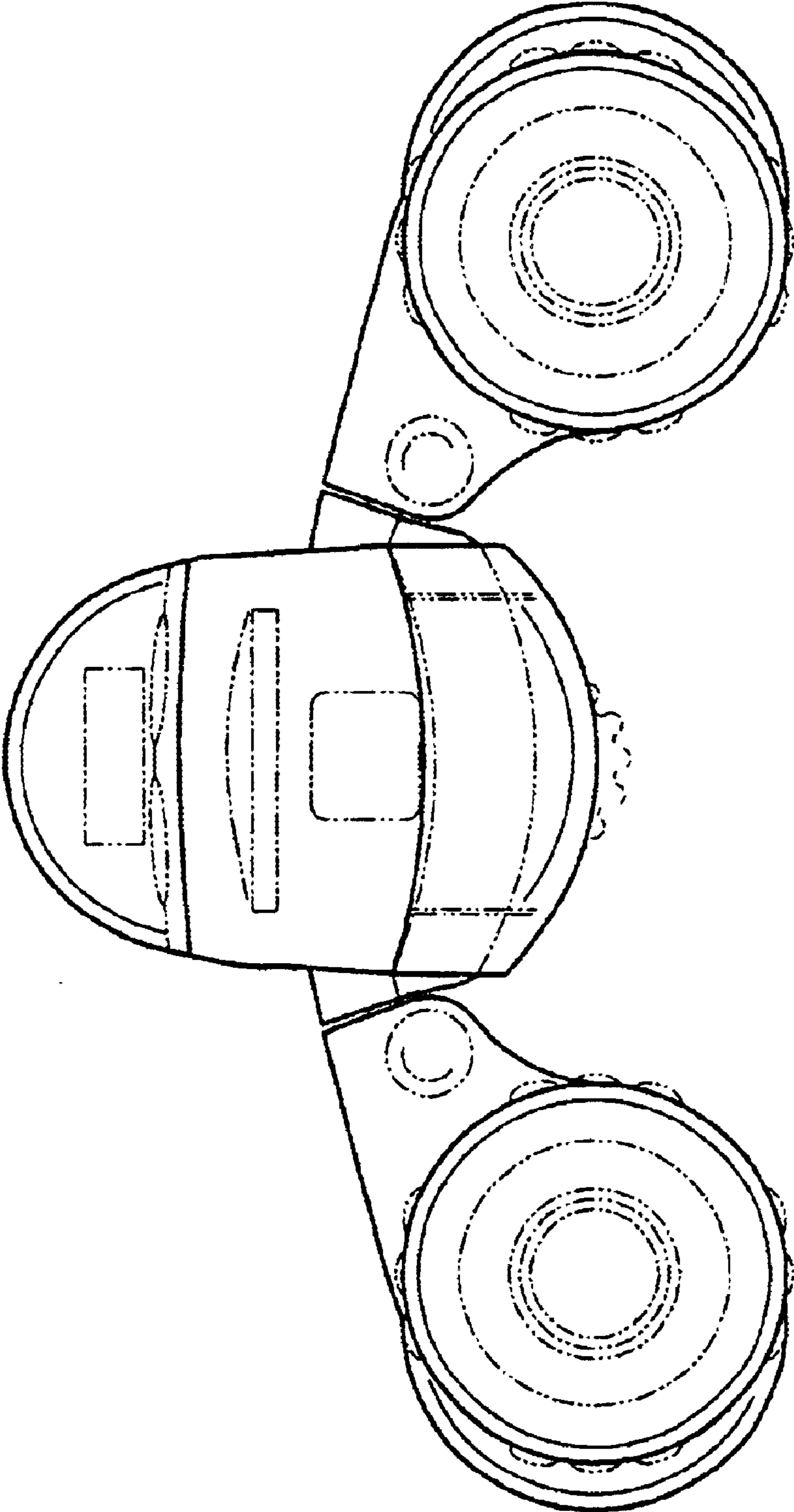


*FIG. 3*

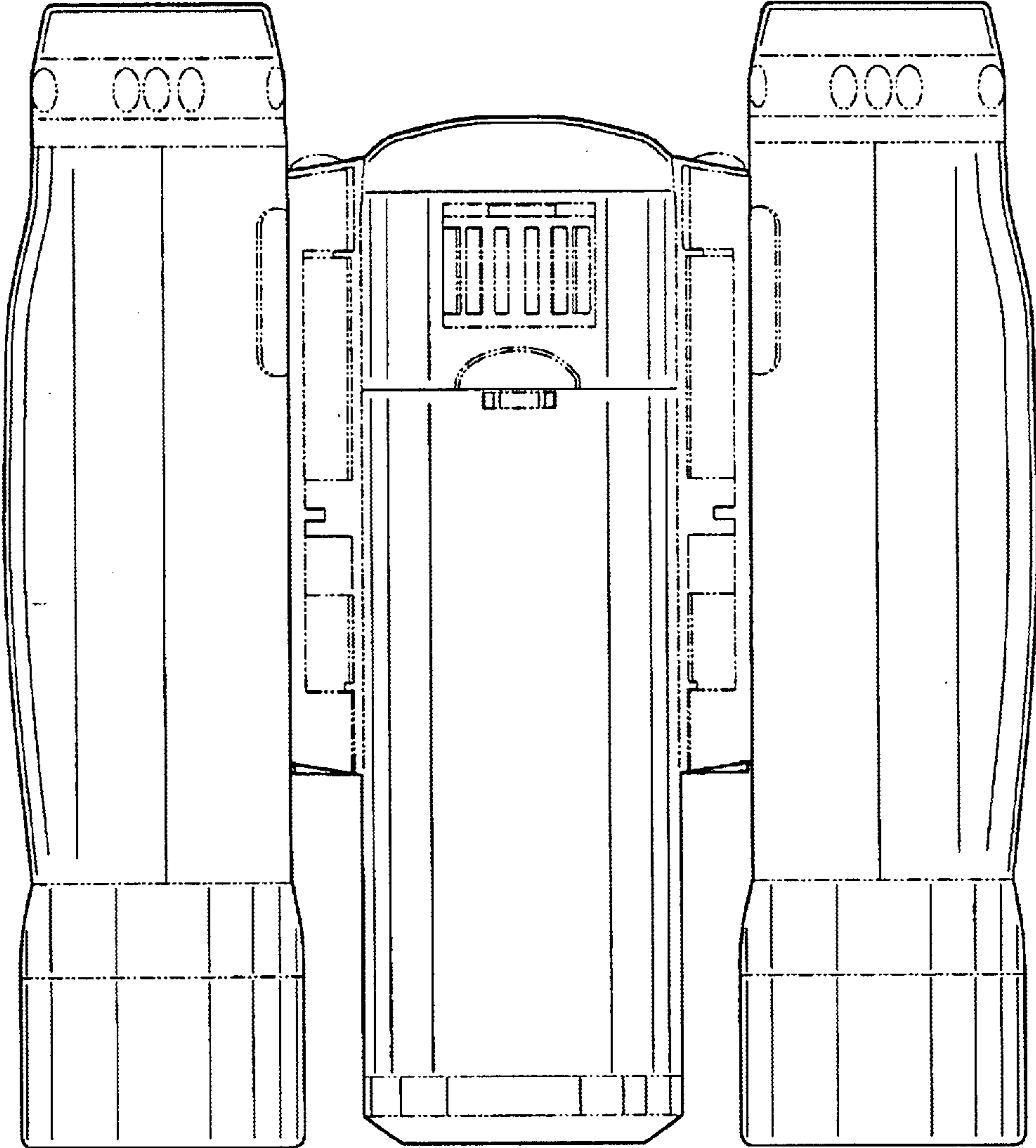




**FIG. 4**



**FIG. 5**



*FIG. 6*