

US00D502480S

(12) **United States Design Patent**  
**Nagayama**

(10) **Patent No.:** **US D502,480 S**

(45) **Date of Patent:** **\*\* Mar. 1, 2005**

(54) **DIGITAL CAMERA**

D495,350 S \* 8/2004 Yoo ..... D16/202  
D495,352 S \* 8/2004 Sakaguchi et al. .... D16/202

(75) **Inventor:** **Yosuke Nagayama, Tokyo (JP)**

\* cited by examiner

(73) **Assignee:** **Casio Keisanki Kabushiki Kaisha, Tokyo (JP)**

*Primary Examiner*—Adir Aronovich  
(74) *Attorney, Agent, or Firm*—Frishauf, Holtz, Goodman & Chick, P.C.

(\*\*) **Term:** **14 Years**

(57) **CLAIM**

(21) **Appl. No.:** **29/204,204**

The ornamental design for digital camera, as shown and described.

(22) **Filed:** **Apr. 26, 2004**

(51) **LOC (7) Cl.** ..... **16-01**

(52) **U.S. Cl.** ..... **D16/202; D16/218**

(58) **Field of Search** ..... D16/200–204,  
D16/208, 209, 218, 219; 348/373–376;  
358/906, 909.1; 396/535–541

**DESCRIPTION**

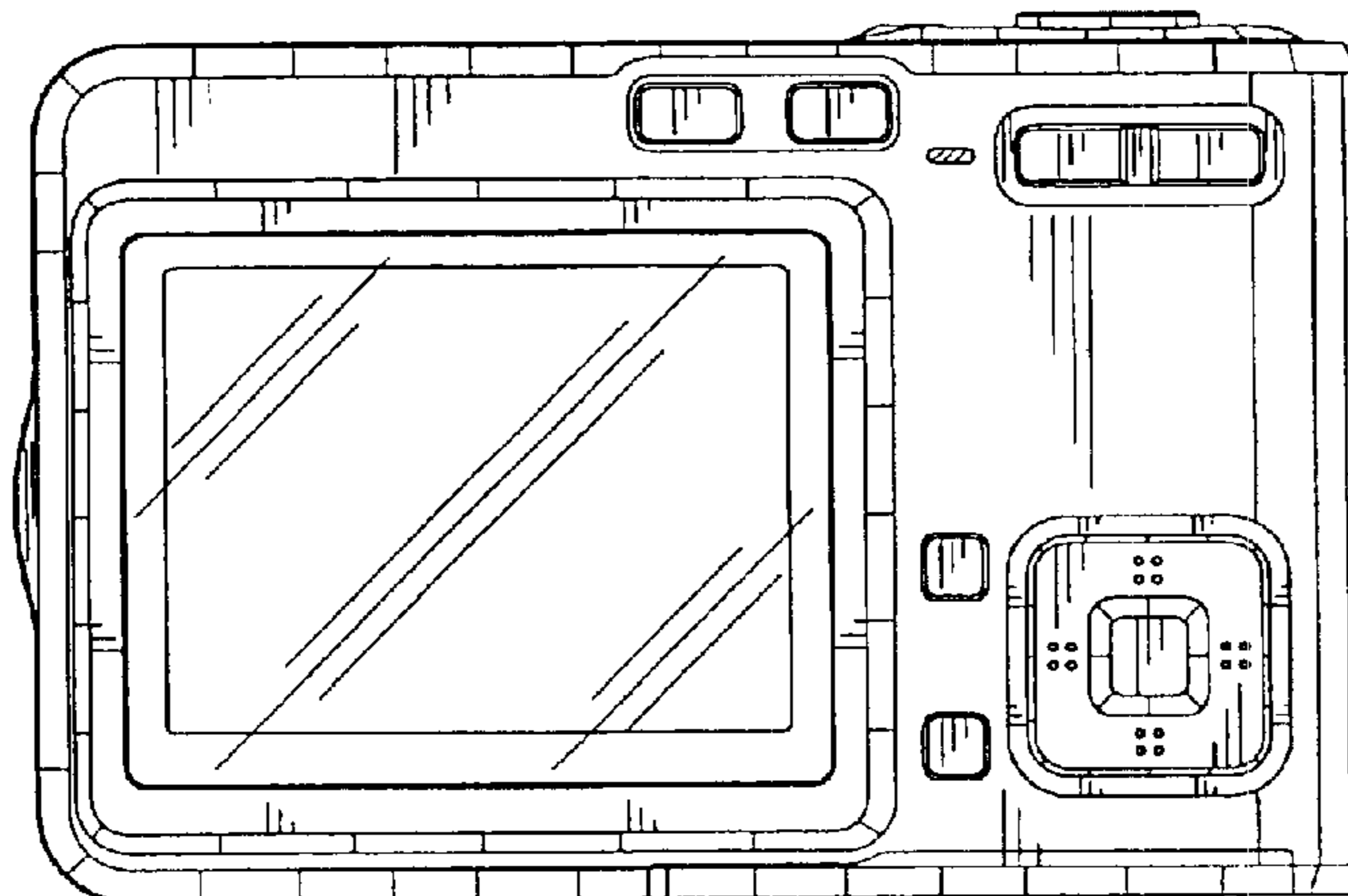
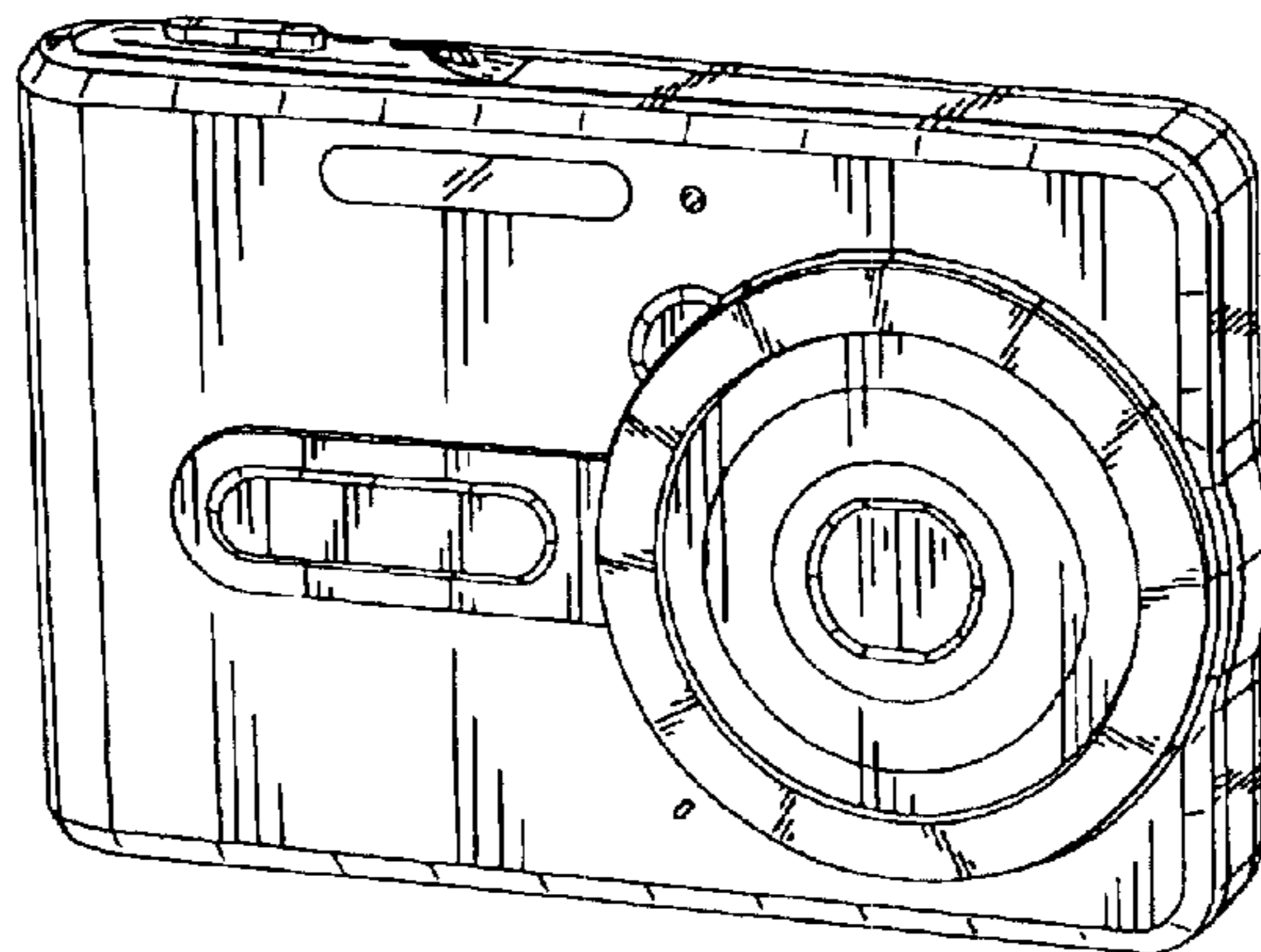
FIG. 1 is a reduced top, front, right side perspective view of a digital camera showing my new design; FIG. 2 is a front elevational view thereof; FIG. 3 is a rear elevational view thereof; FIG. 4 is a left side view thereof; FIG. 5 is a right side view thereof; FIG. 6 is a top plan view thereof; FIG. 7 is a bottom plan view thereof; and, FIG. 8 is a reduced top, front, right side perspective view thereof showing the zoom lens extended.

(56) **References Cited**

**U.S. PATENT DOCUMENTS**

D445,440 S \* 7/2001 Chen ..... D16/202  
D450,073 S \* 11/2001 Sumita ..... D16/202  
6,434,337 B1 \* 8/2002 Misawa ..... 358/909.1  
D478,606 S \* 8/2003 Owada ..... D16/202  
D479,547 S \* 9/2003 Nagayama ..... D16/202

**1 Claim, 5 Drawing Sheets**



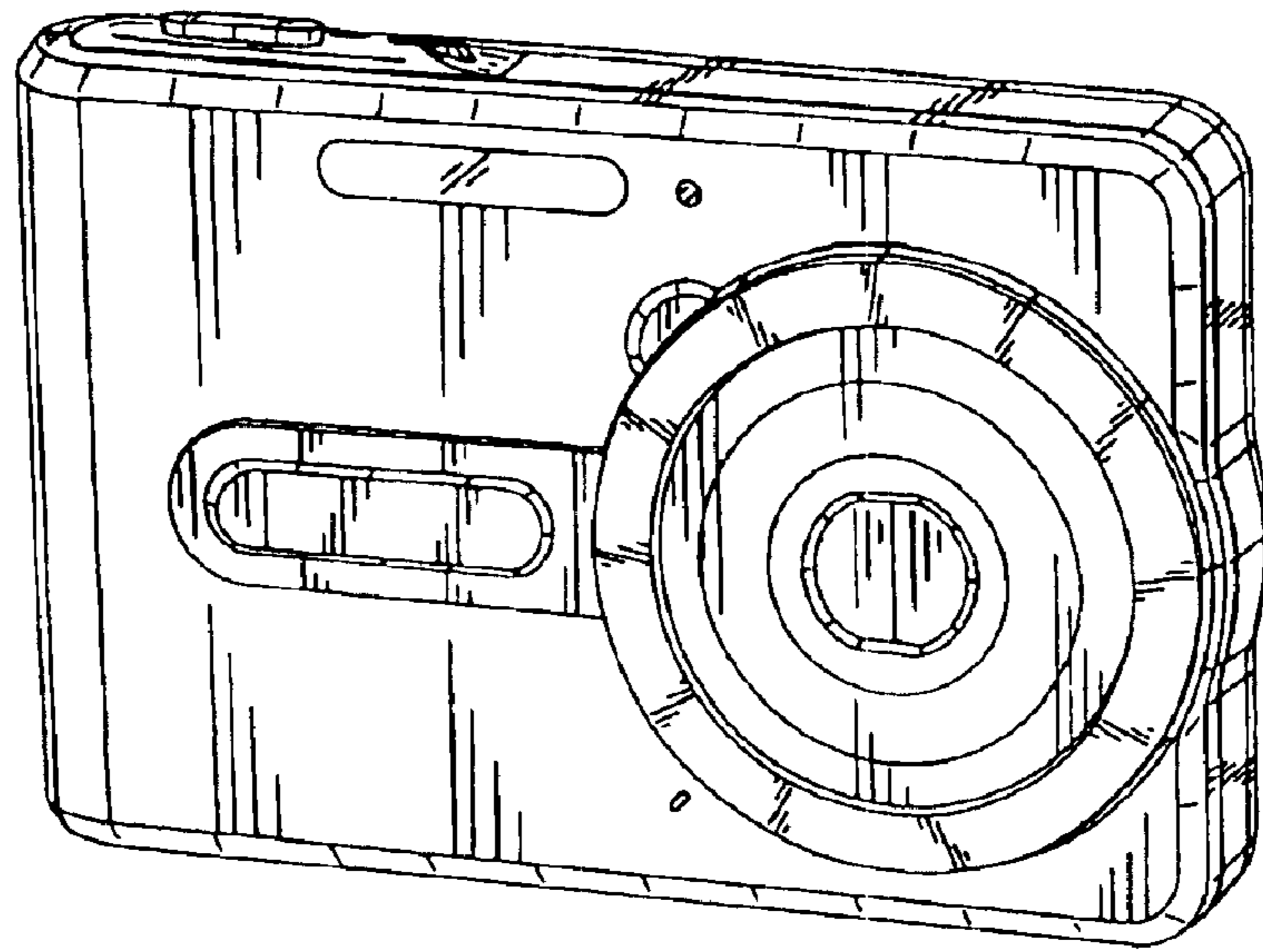


FIG. 1

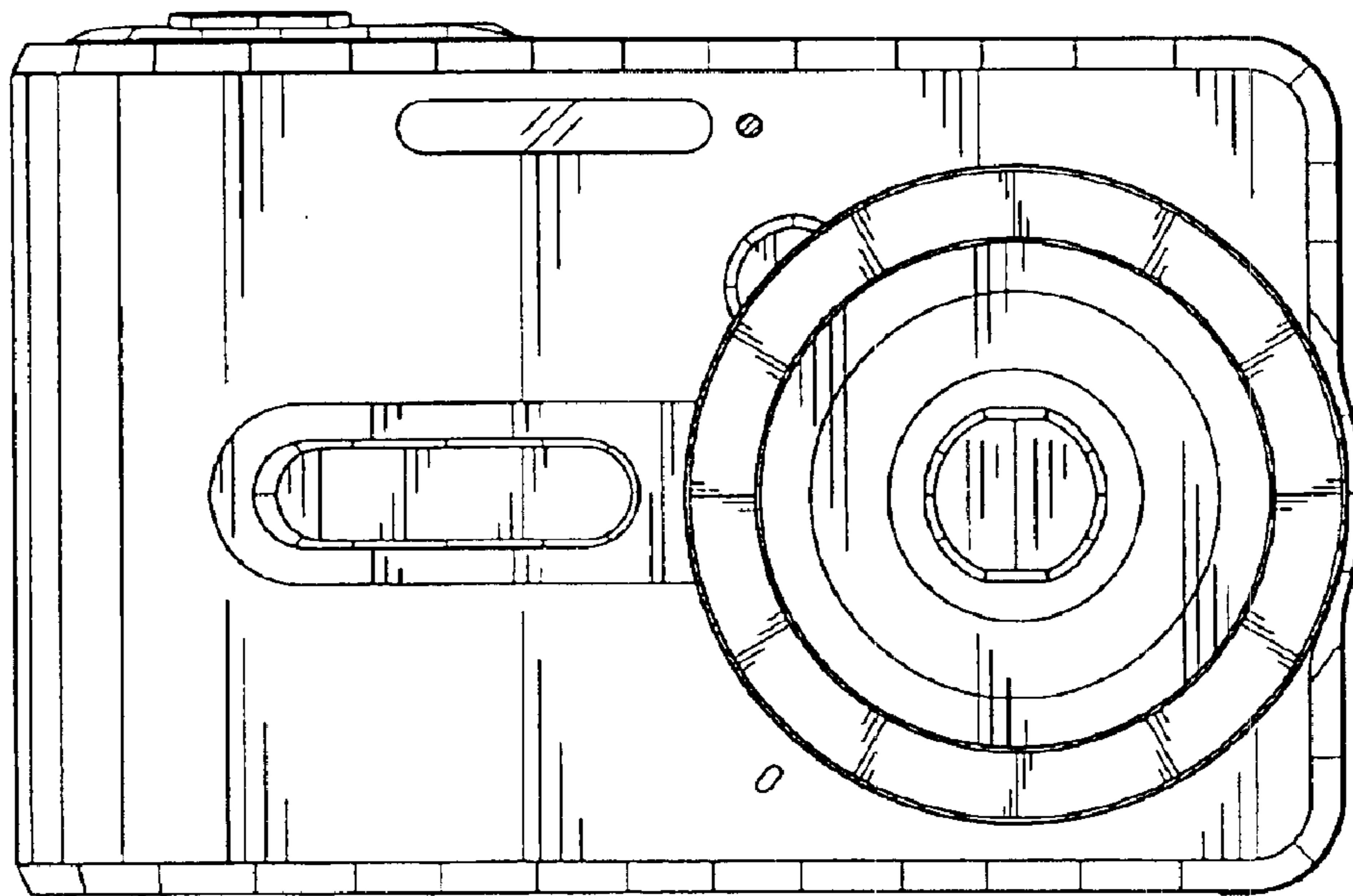


FIG. 2

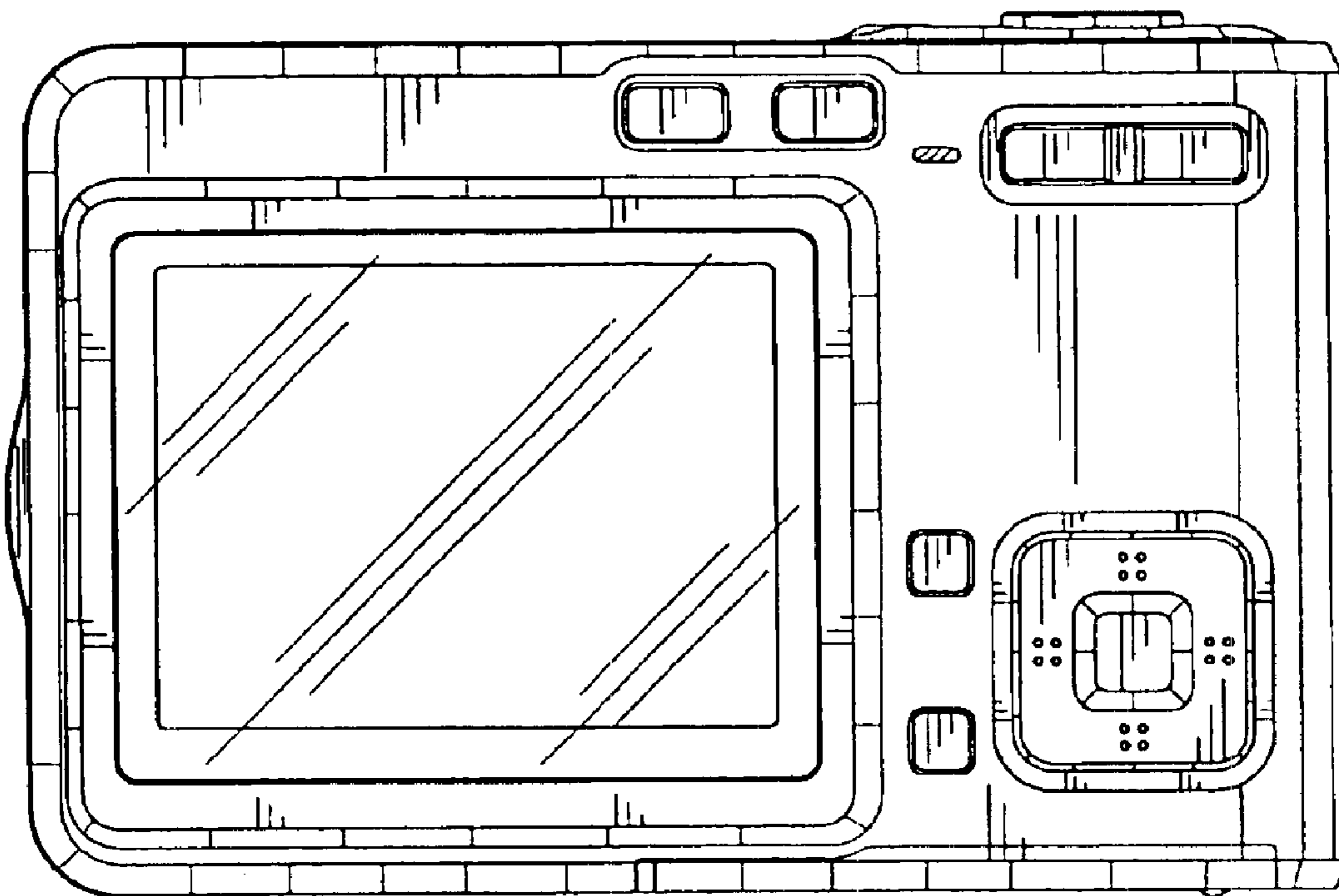


FIG. 3



**FIG. 4**

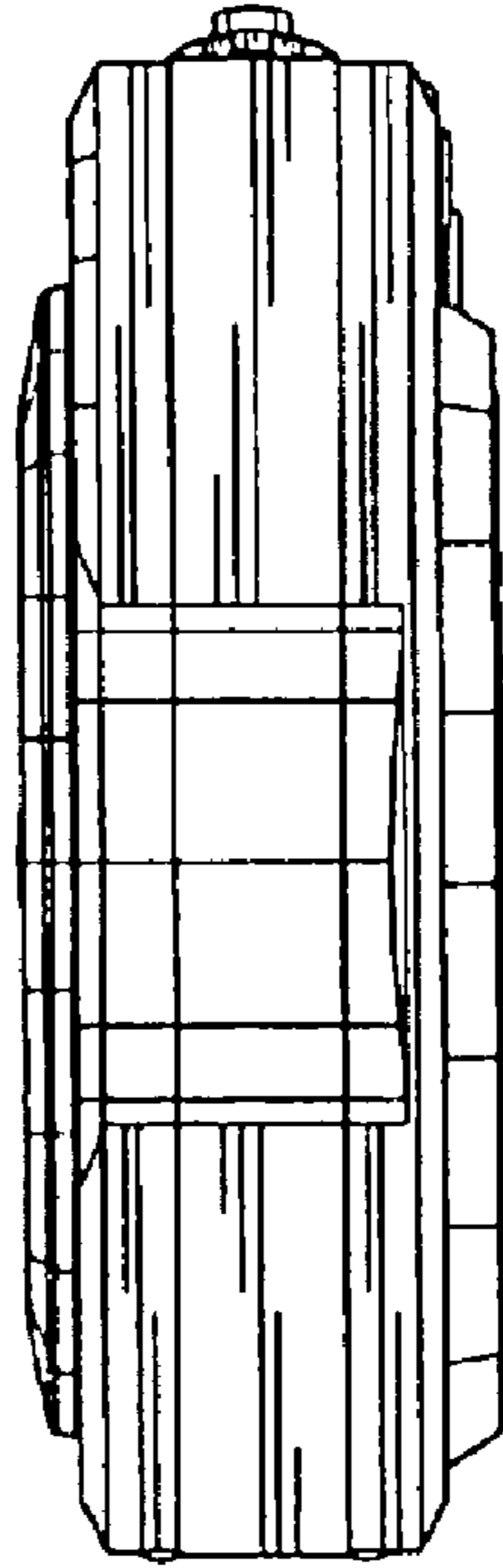


FIG. 5

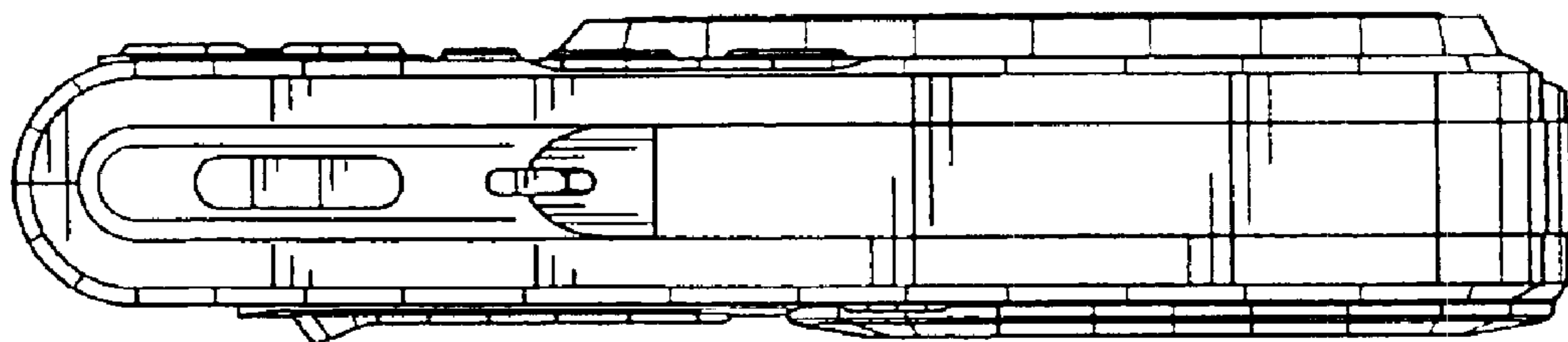


FIG. 6

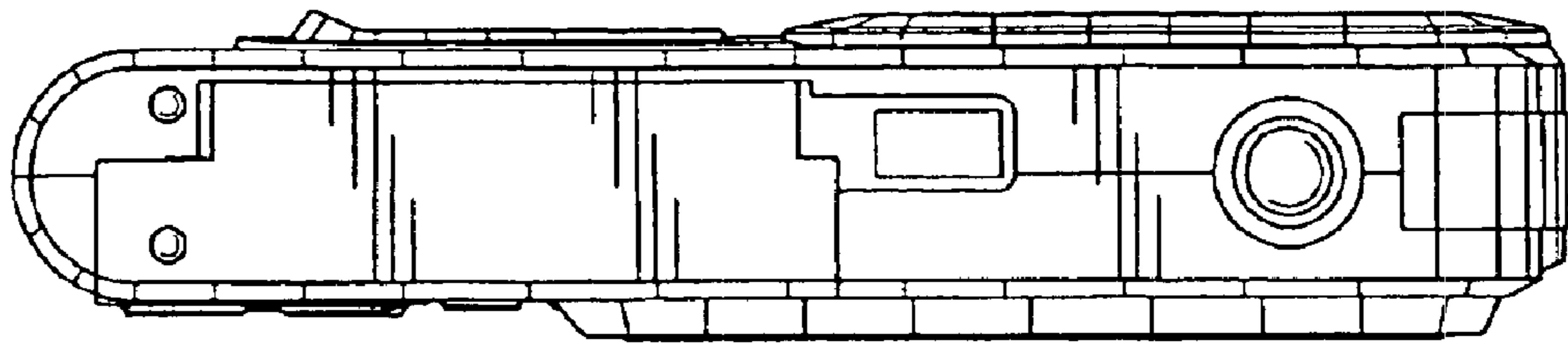


FIG. 7

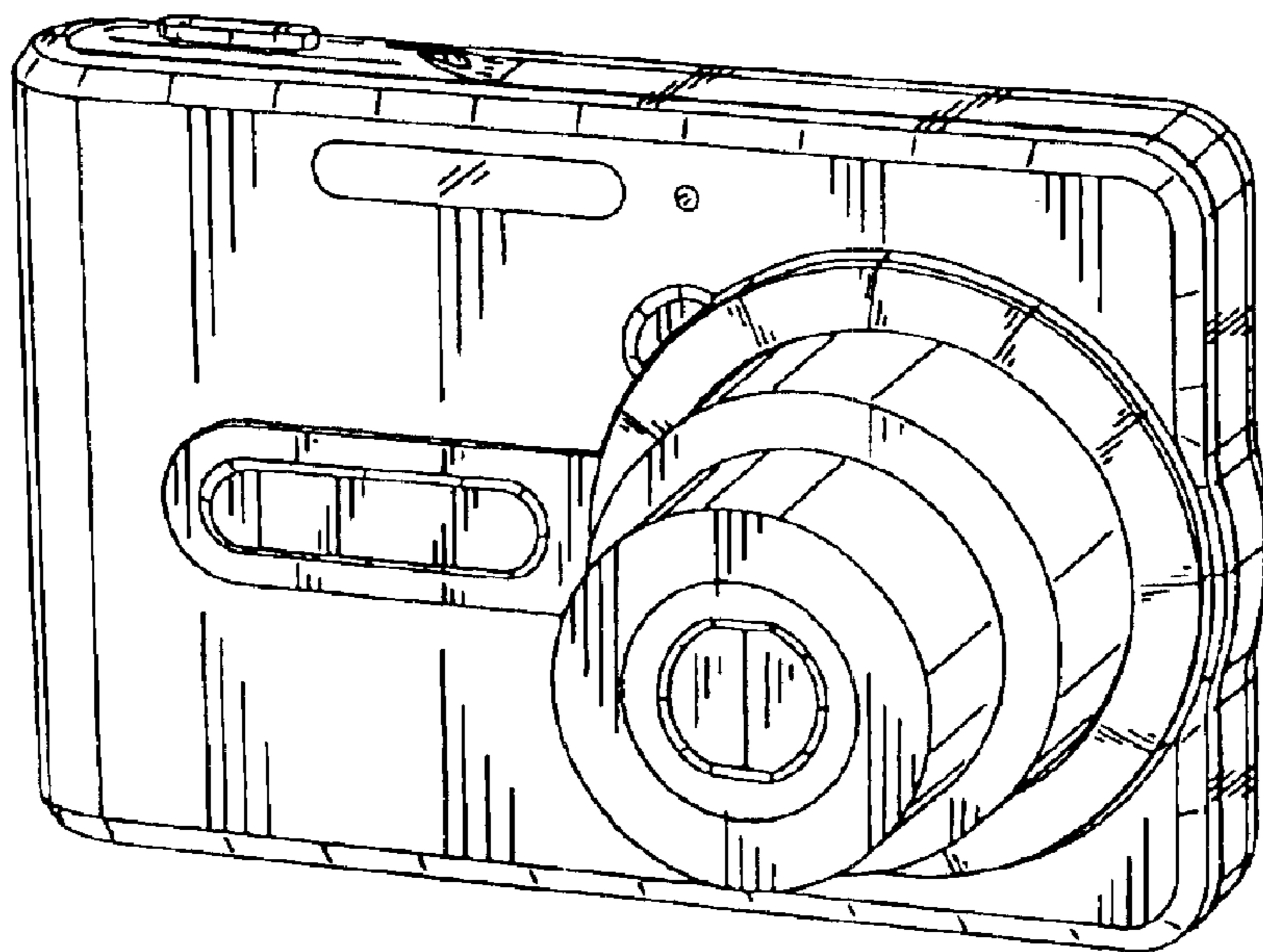


FIG. 8