

US00D502479S

(12) **United States Design Patent**
Nishizawa et al.

(10) **Patent No.:** **US D502,479 S**
(45) **Date of Patent:** **** Mar. 1, 2005**

(54) **DIGITAL CAMERA**

(75) Inventors: **Naoya Nishizawa**, Tokyo (JP); **Yosuke Nagayama**, Tokyo (JP); **Kazuhito Sakaguchi**, Sagamihara (JP)

(73) Assignee: **Casio Keisanki Kabushiki Kaisha**, Tokyo (JP)

(**) Term: **14 Years**

(21) Appl. No.: **29/204,200**

(22) Filed: **Apr. 26, 2004**

(51) **LOC (7) Cl.** **16-01**

(52) **U.S. Cl.** **D16/202; D16/218**

(58) **Field of Search** **D16/200-204, D16/208, 209, 218, 219; 348/373-376; 358/906, 909.1; 396/535-541**

(56) **References Cited**

U.S. PATENT DOCUMENTS

- D430,186 S * 8/2000 Suzuki et al. D16/202
- D445,440 S * 7/2001 Chen D16/202
- 6,434,337 B1 * 8/2002 Misawa 358/909.1
- D478,606 S * 8/2003 Owada D16/202

- D479,547 S * 9/2003 Nagayama D16/202
- D495,350 S * 8/2004 Yoo D16/202
- D495,352 S * 8/2004 Sakaguchi et al. D16/202

* cited by examiner

Primary Examiner—Adir Aronovich

(74) *Attorney, Agent, or Firm*—Frishauf, Holtz, Goodman & Chick, P.C.

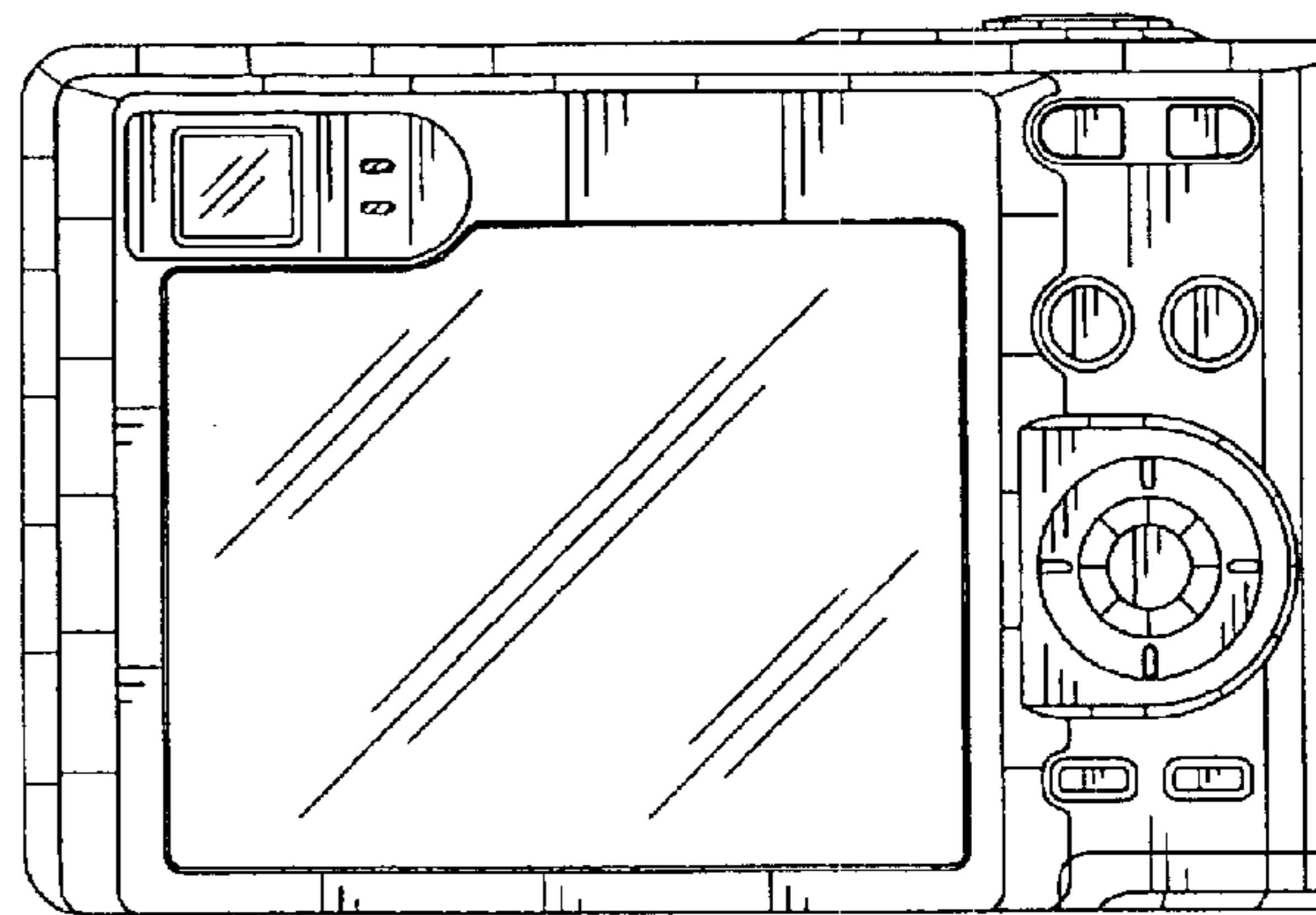
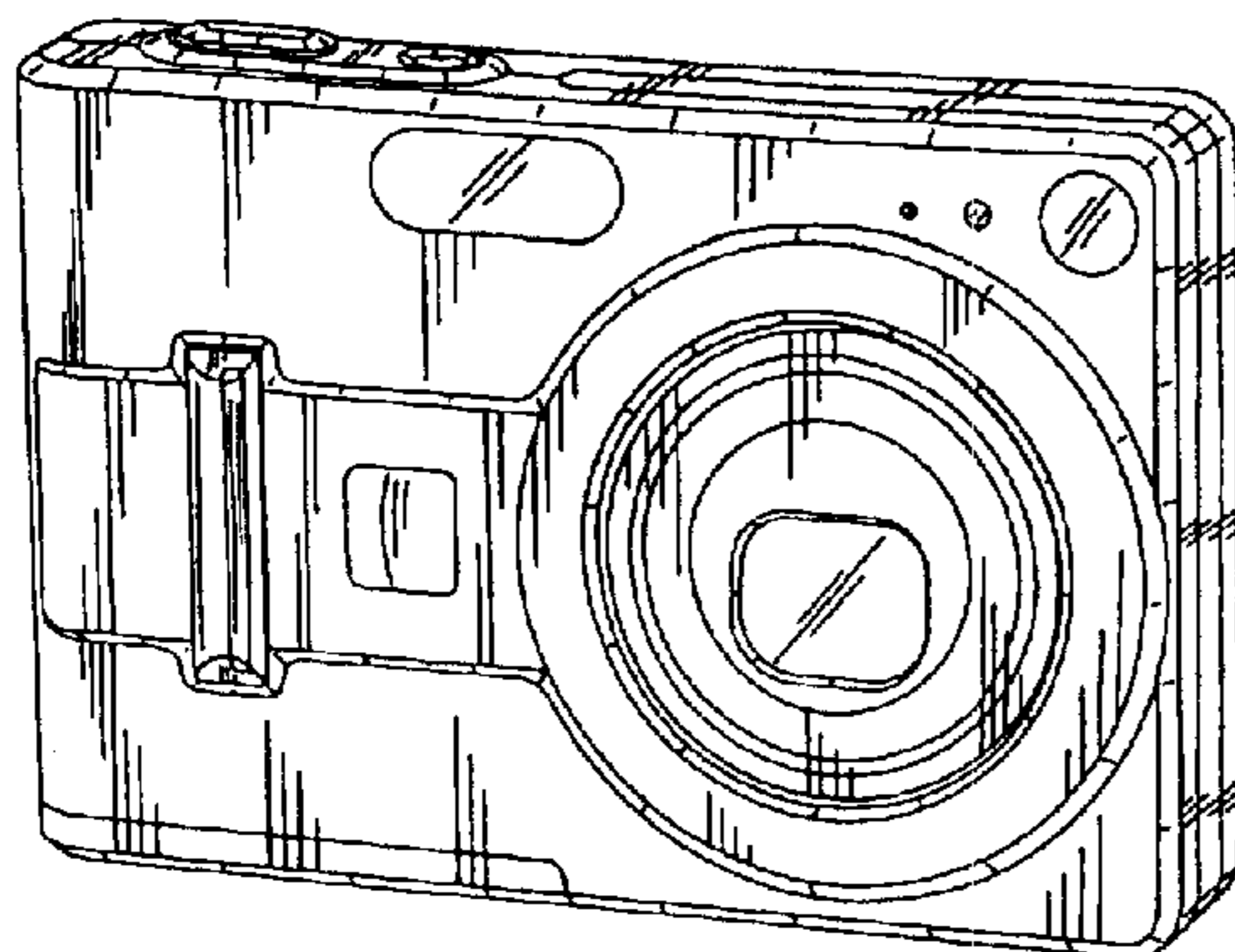
(57) **CLAIM**

The ornamental design for digital camera, as shown and described.

DESCRIPTION

FIG. 1 is a reduced top, front, right side perspective view of a digital camera showing our new design; FIG. 2 is a front elevational view thereof; FIG. 3 is a rear elevational view thereof; FIG. 4 is a left side view thereof; FIG. 5 is a right side view thereof; FIG. 6 is a top plan view thereof; FIG. 7 is a bottom plan view thereof; and, FIG. 8 is a reduced top, front, right side perspective view thereof showing the zoom lens extended.

1 Claim, 5 Drawing Sheets



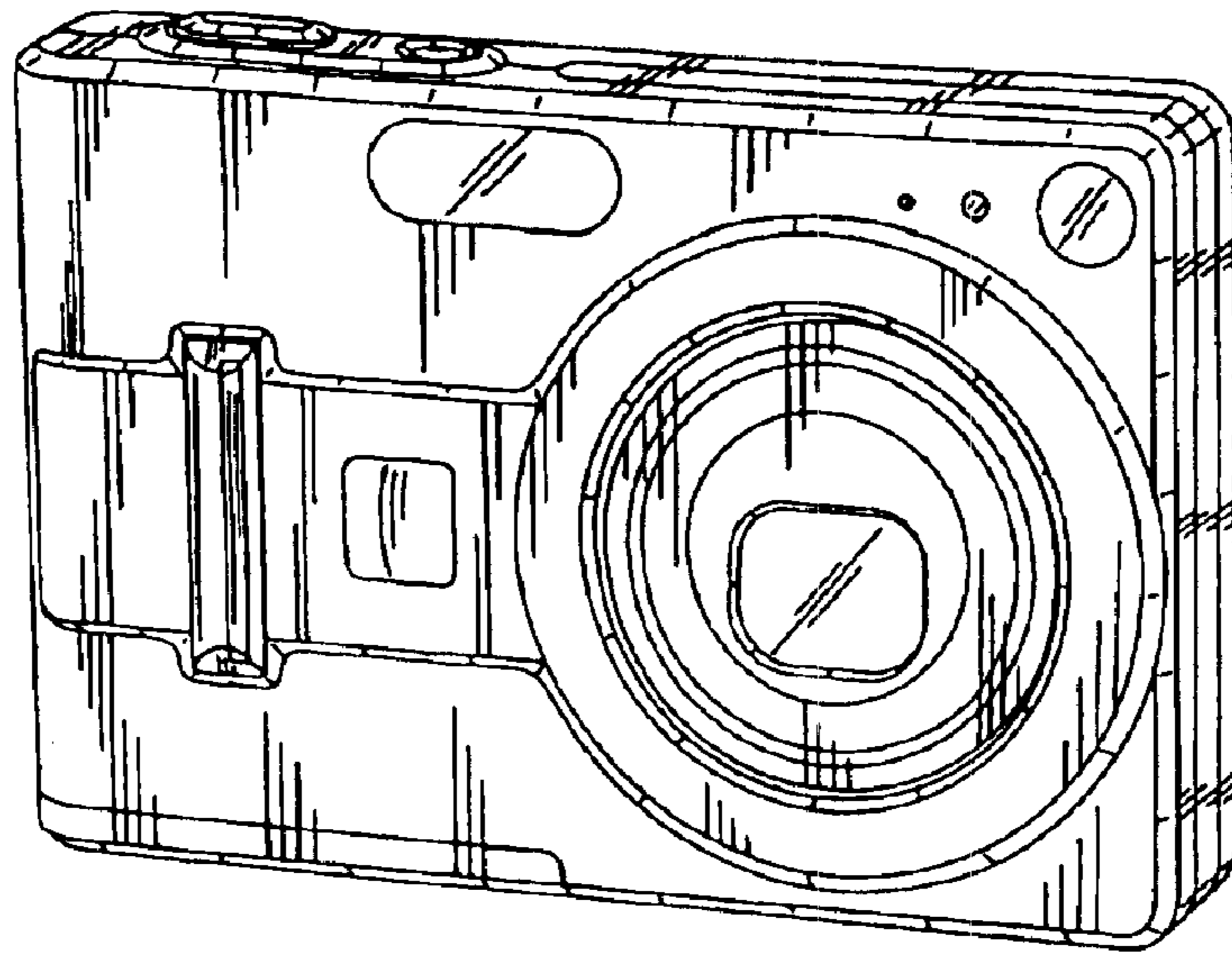


FIG. 1

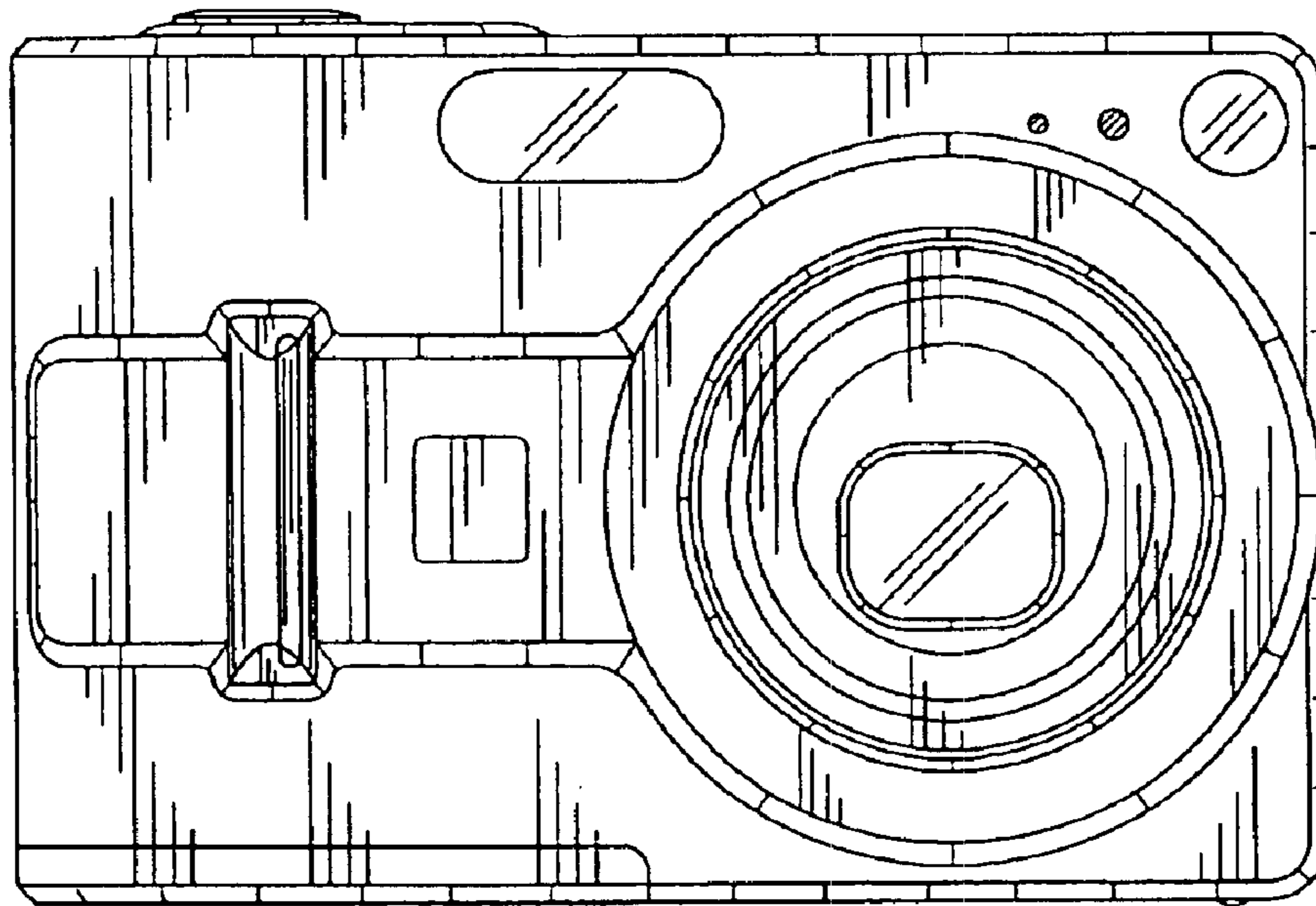


FIG. 2

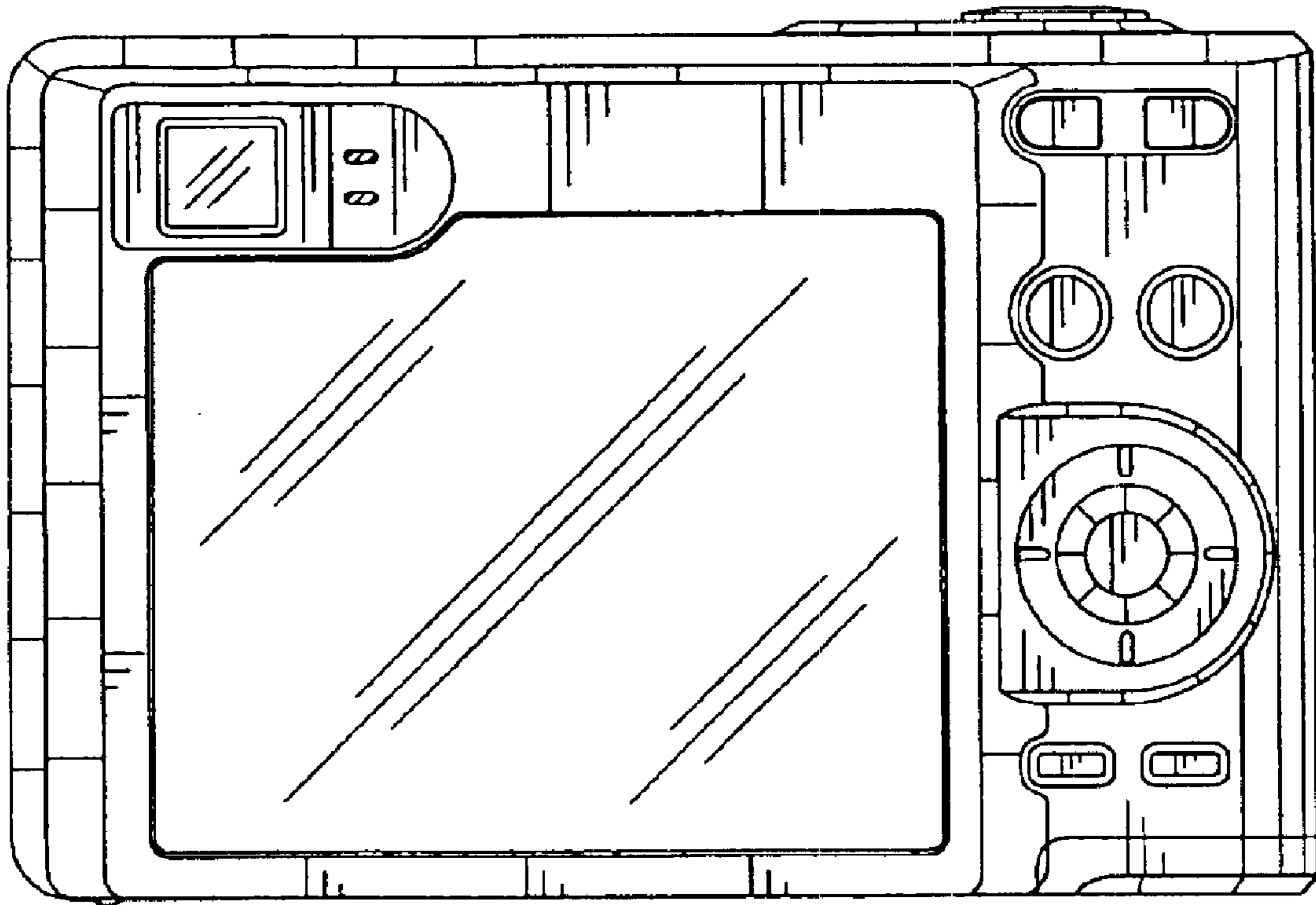


FIG. 3

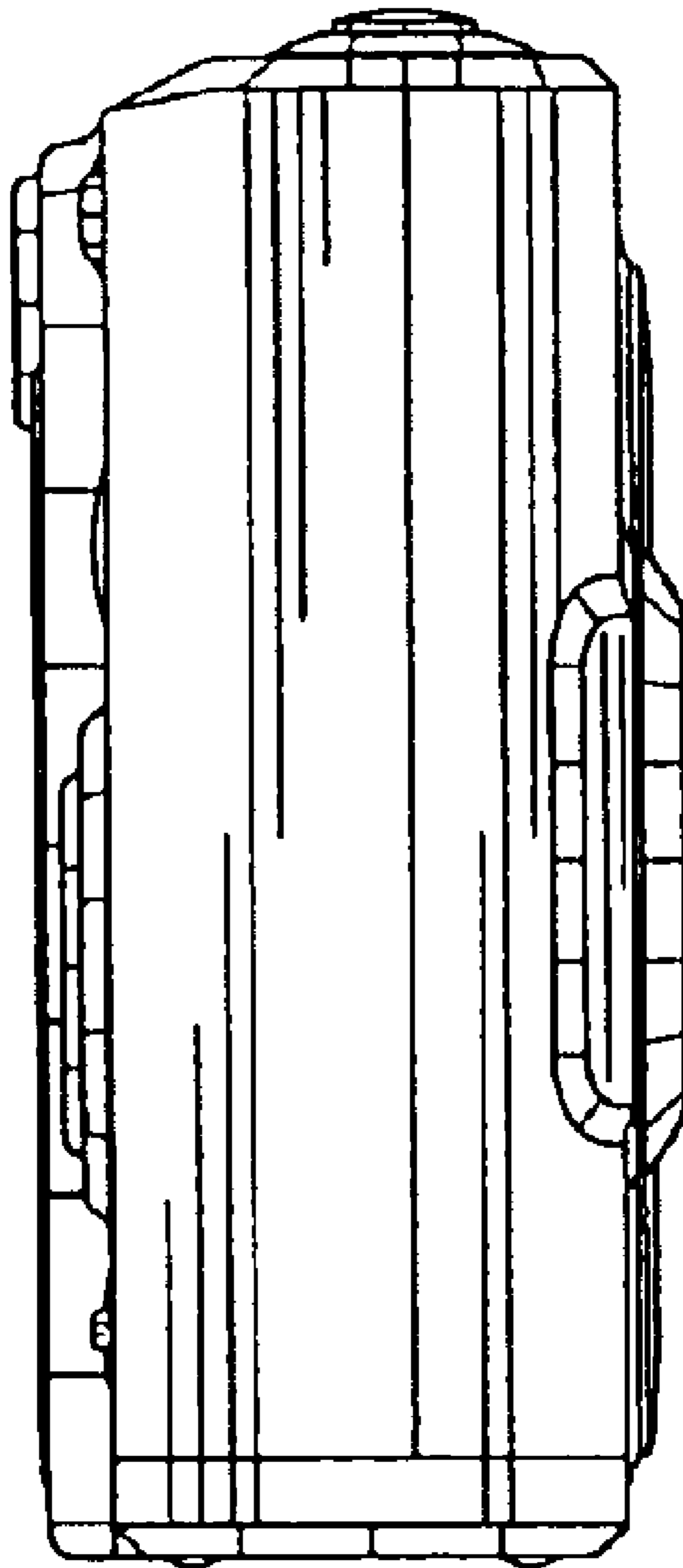


FIG. 4

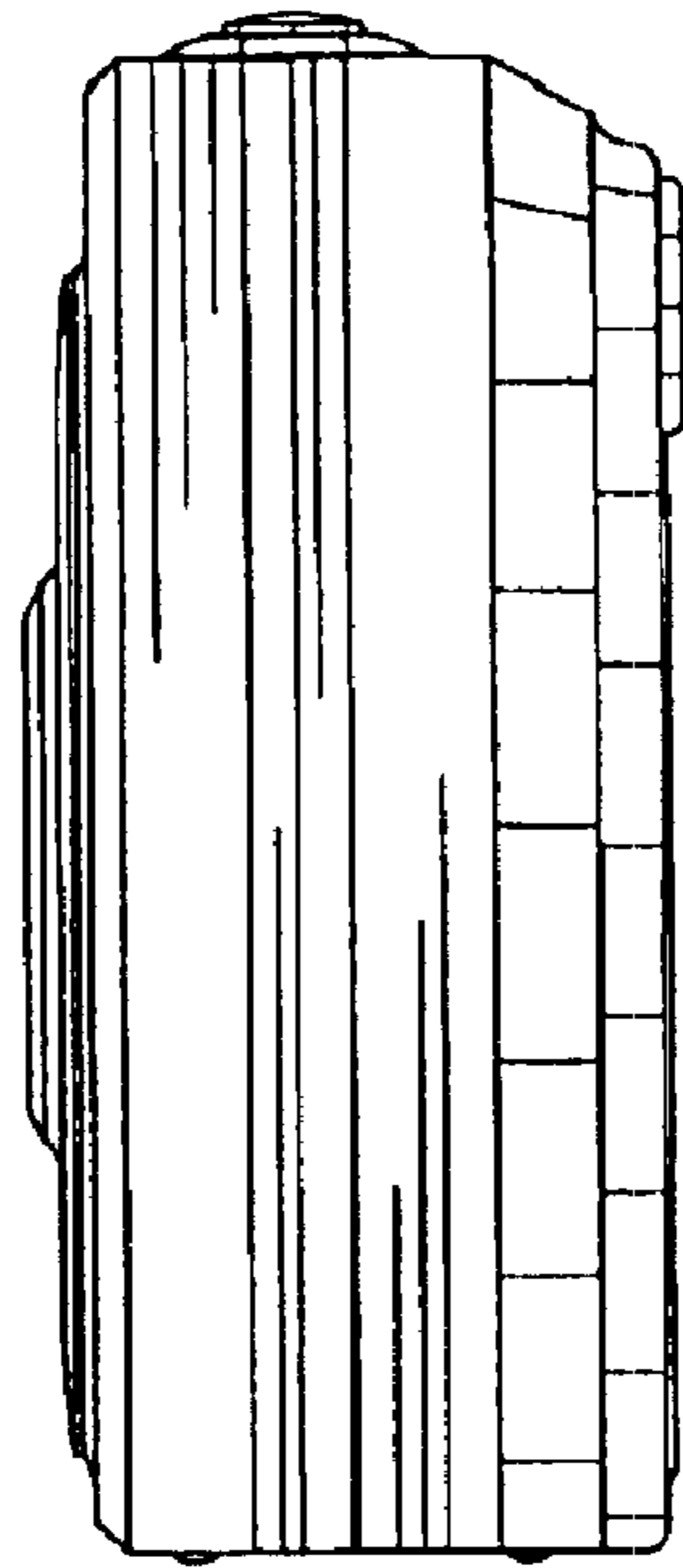


FIG. 5

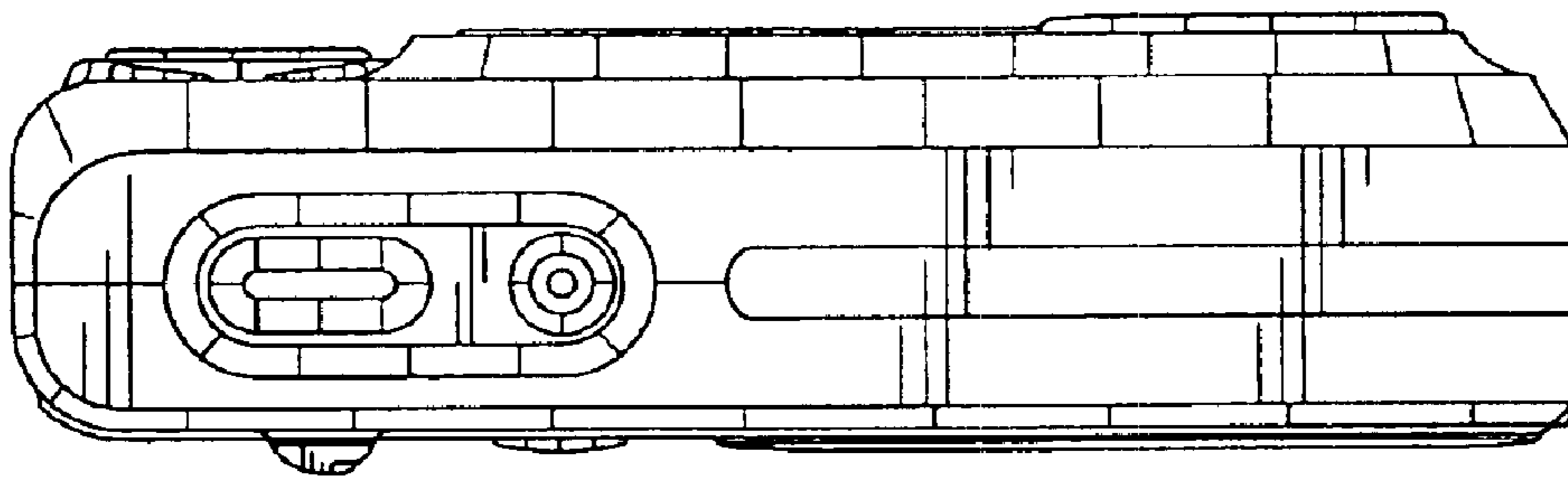


FIG. 6

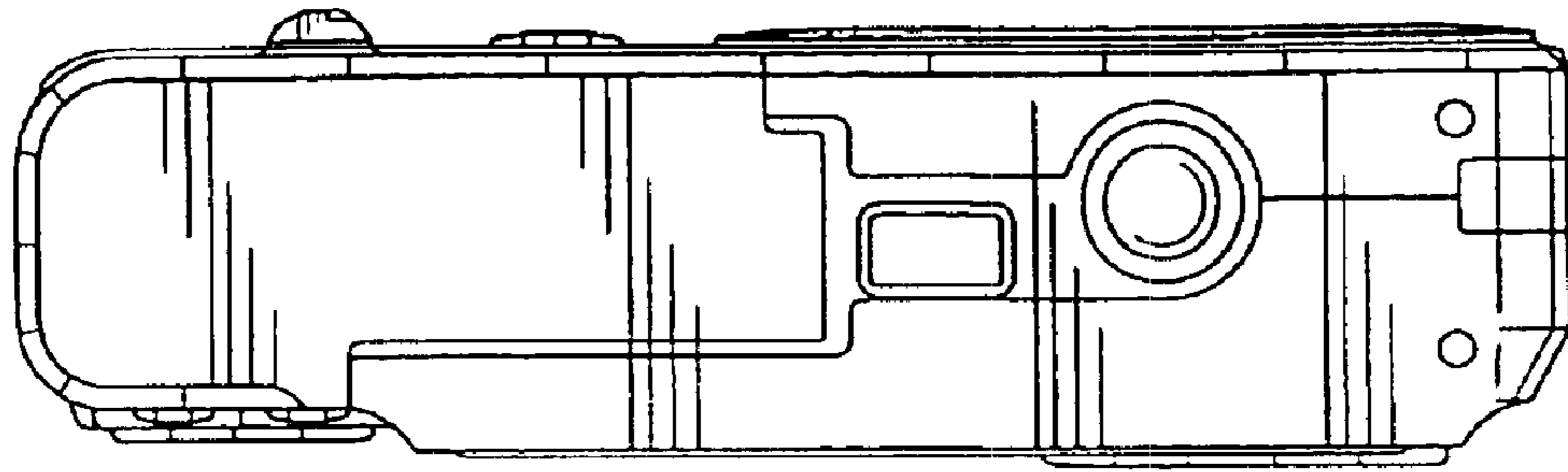


FIG. 7

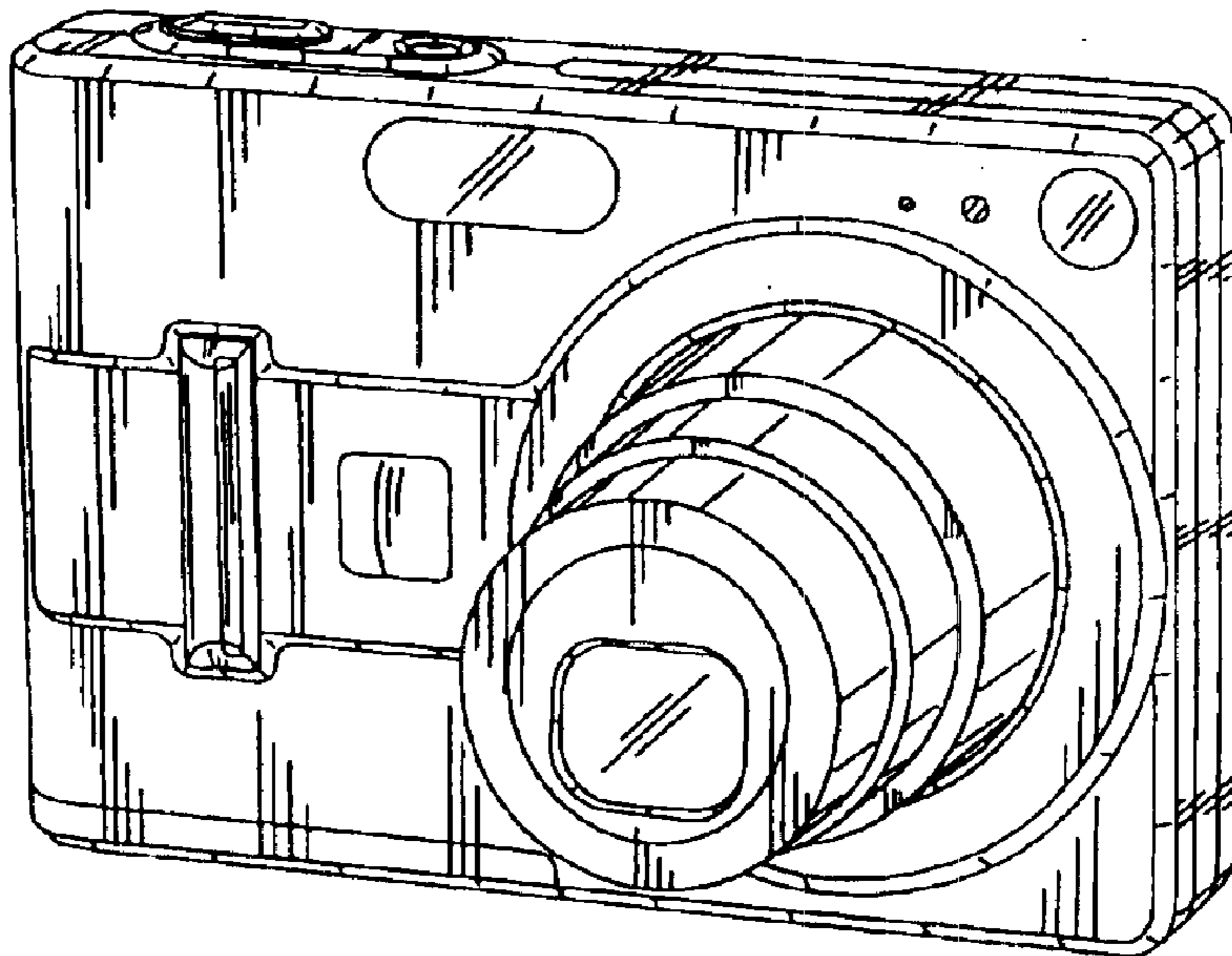


FIG. 8