



US00D502476S

(12) **United States Design Patent**  
**Wright et al.**

(10) **Patent No.: US D502,476 S**  
(45) **Date of Patent: \*\* Mar. 1, 2005**

(54) **BENCH MOUNTED TUBING SEALER**

(75) Inventors: **Douglas F. Wright**, Tucson, AZ (US);  
**Leonard T. Williams**, Tucson, AZ (US)

(73) Assignee: **Engineering & Research Associates, Inc.**, Tucson, AZ (US)

(\*\*) Term: **14 Years**

(21) Appl. No.: **29/192,705**

(22) Filed: **Oct. 28, 2003**

(51) **LOC (7) Cl.** ..... **15-09**

(52) **U.S. Cl.** ..... **D15/146**

(58) **Field of Search** ..... D15/145-146;  
219/769, 777-78, 765, 770, 774, 632, 757,  
736; 156/358, 380.1, 273.7, 274.4, 274.6,  
380.6, 380.7, 380.3, 477-789, 583.9

(56) **References Cited**

**U.S. PATENT DOCUMENTS**

4,186,292 A	1/1980	Acker	
4,390,832 A	6/1983	Taylor	
4,490,598 A	12/1984	Minney et al.	
D280,515 S	9/1985	Minney et al.	
D340,730 S	10/1993	Myers	
D385,894 S	11/1997	Linner	
D457,177 S	5/2002	Hsu	
D494,608 S	* 8/2004	Wright	D15/146
6,784,407 B2	* 8/2004	Wright et al.	219/769

**OTHER PUBLICATIONS**

National Hospital Specialties, "Genesis Tube Sealers", Sep. 2000.  
Baxter Healthcare Corporation, "Hand-held Tube Sealer", 2002.

Baxter Healthcare Corporation, "Mobile, Battery-operated, Hand-held Tube Sealer", 2002.

Baxter Healthcare Corporation, "Portable, Battery-operated, Hand-held Tube Sealer", 2000.

Terumo Medical Corporation, "Teruflex ACS-152 Dielectric Sealer", 2000.

Ace Medicalinc., "Ace Sealer-01", 2001.

National Hospital Specialties, "Meeting the Demands for Today's Blood Bank Professional", 2002.

NPBI B.V., "Composeal", undated.

NPBI, "Composeal Mobilea", undated.

HEMOPHARM, "Tube Sealers", undated.

Ljunberg & Kogel AB, "Biosealer CR 6-PS", undated.

Biotrans GmbH, "Biotrans Composeal", undated.

\* cited by examiner

*Primary Examiner*—Antoine D. Davis

(74) *Attorney, Agent, or Firm*—Cahill, von Hellens & Glazer P.L.C.

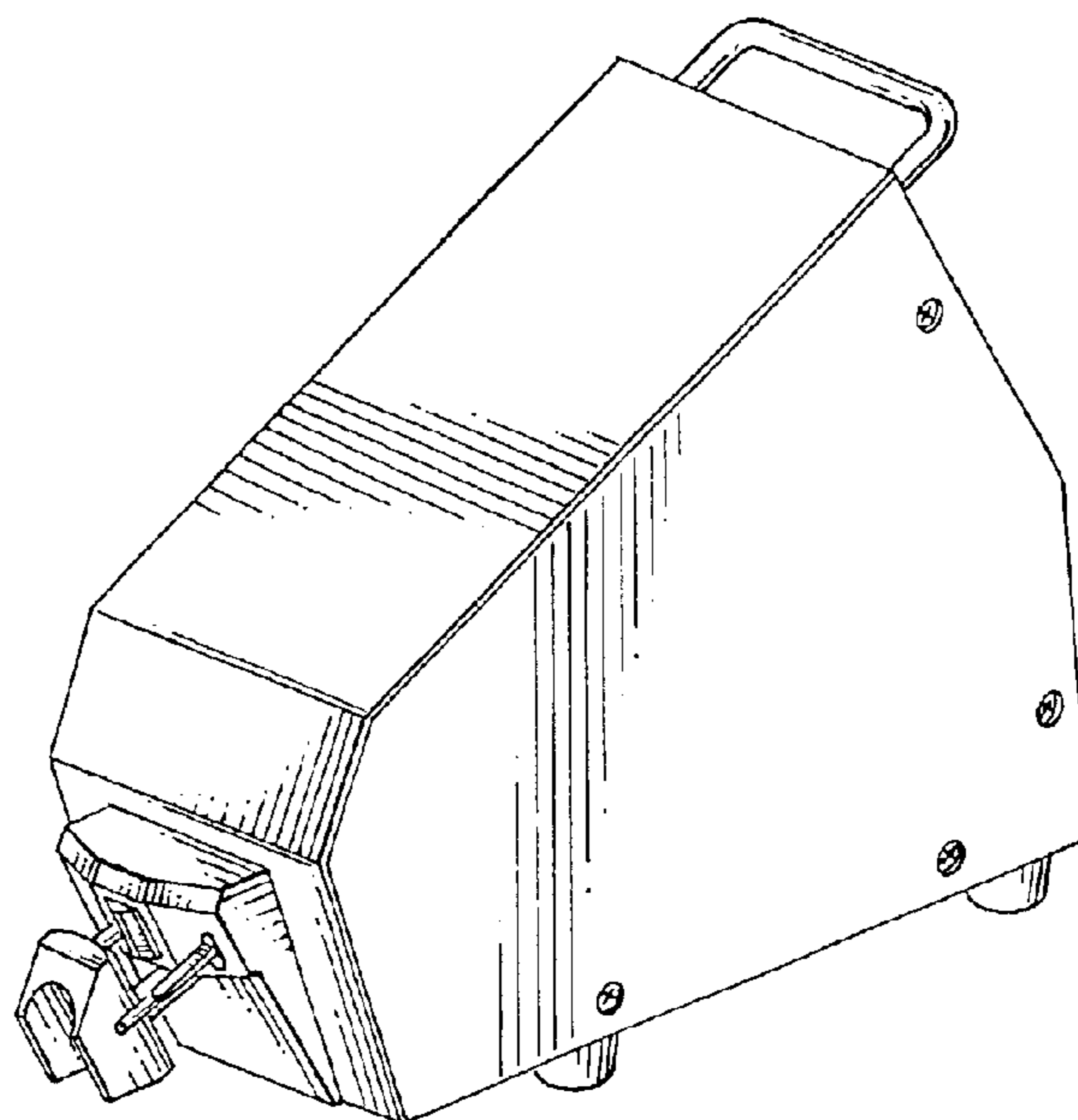
(57) **CLAIM**

The ornamental design for a bench mounted tubing sealer, as shown and described.

**DESCRIPTION**

FIG. 1 is a front right isometric view of my bench mounted tubing sealer and showing our design;  
FIG. 2 is a top view thereof;  
FIG. 3 is a right side elevational view thereof, the left side elevational view being a mirror image;  
FIG. 4 is a front elevational view thereof;  
FIG. 5 is a rear side elevational view thereof; and,  
FIG. 6 is a bottom view thereof.

**1 Claim, 2 Drawing Sheets**



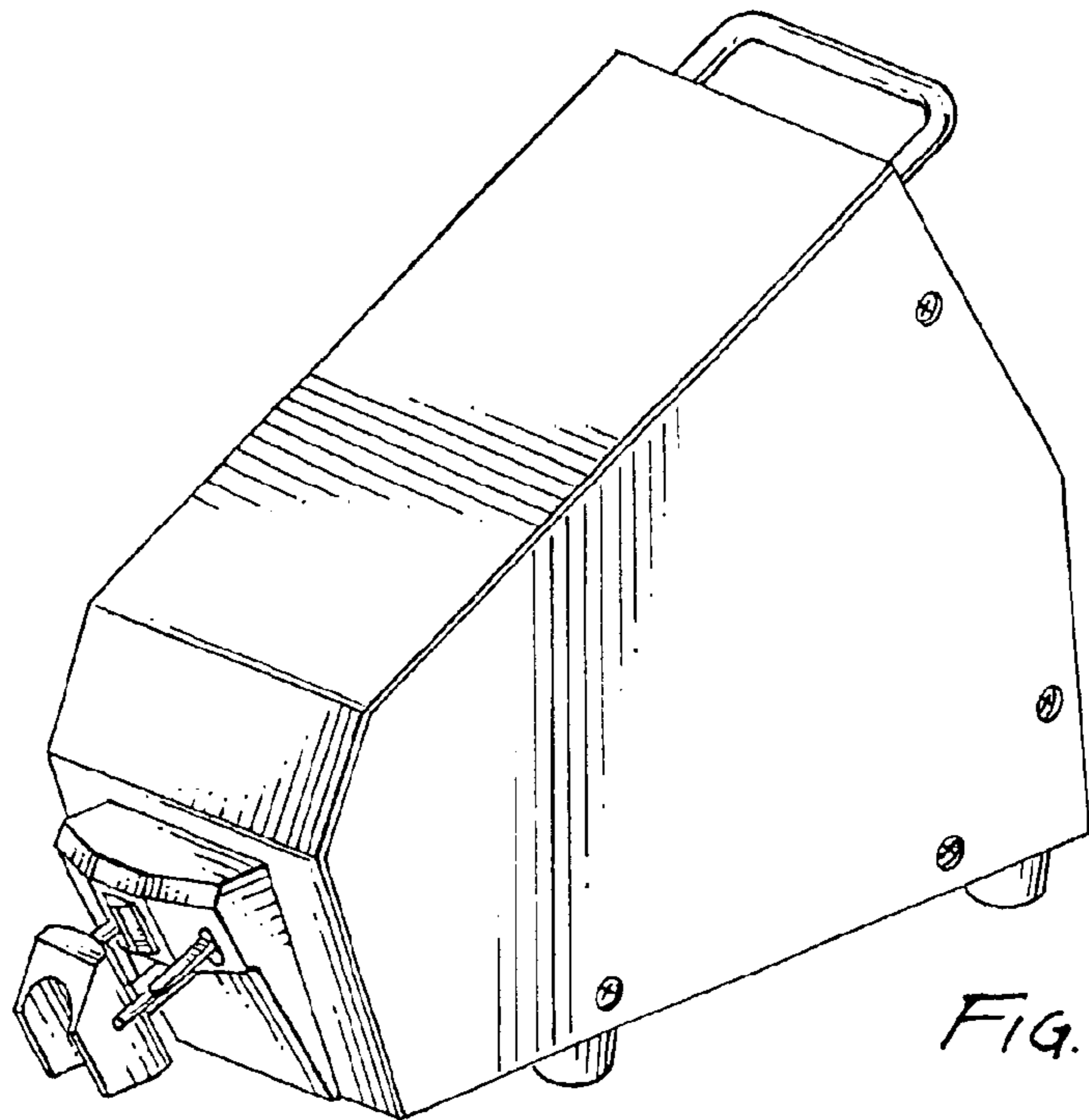


FIG. 1

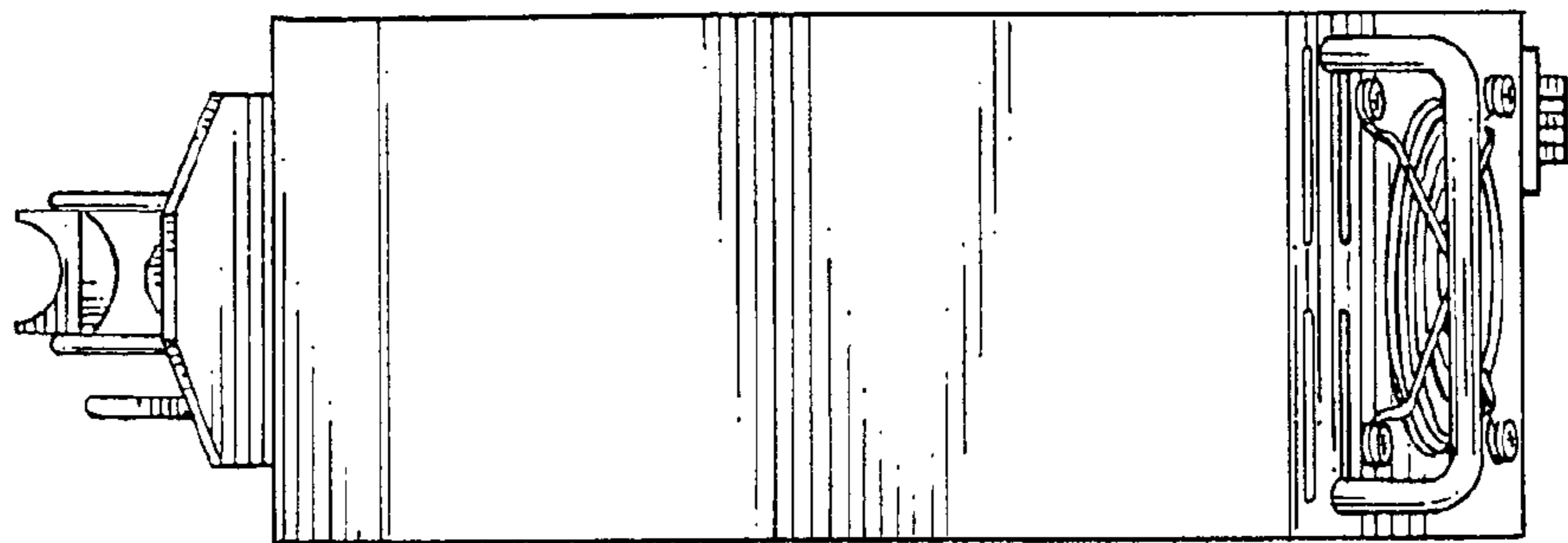


FIG. 2

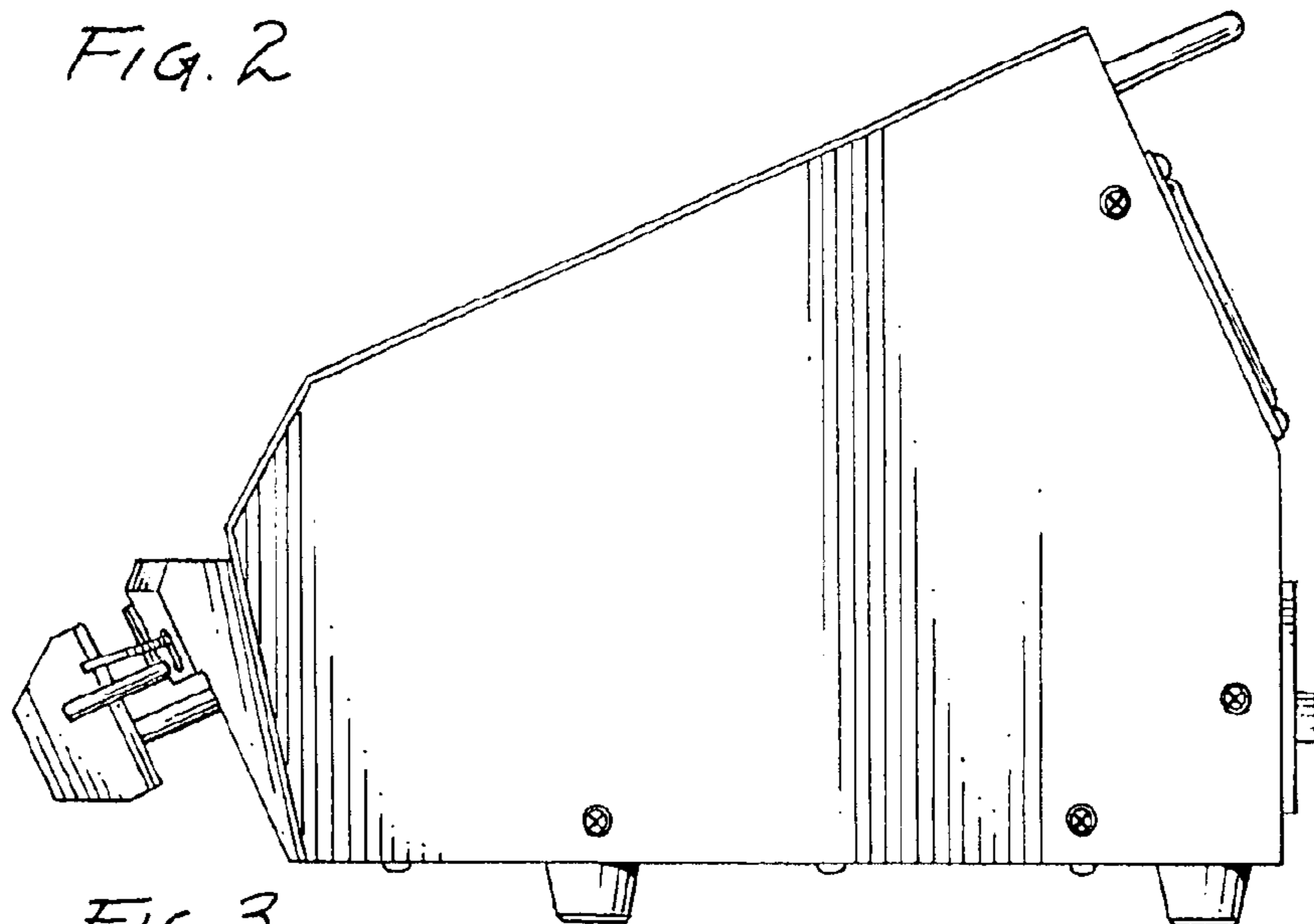


FIG. 3

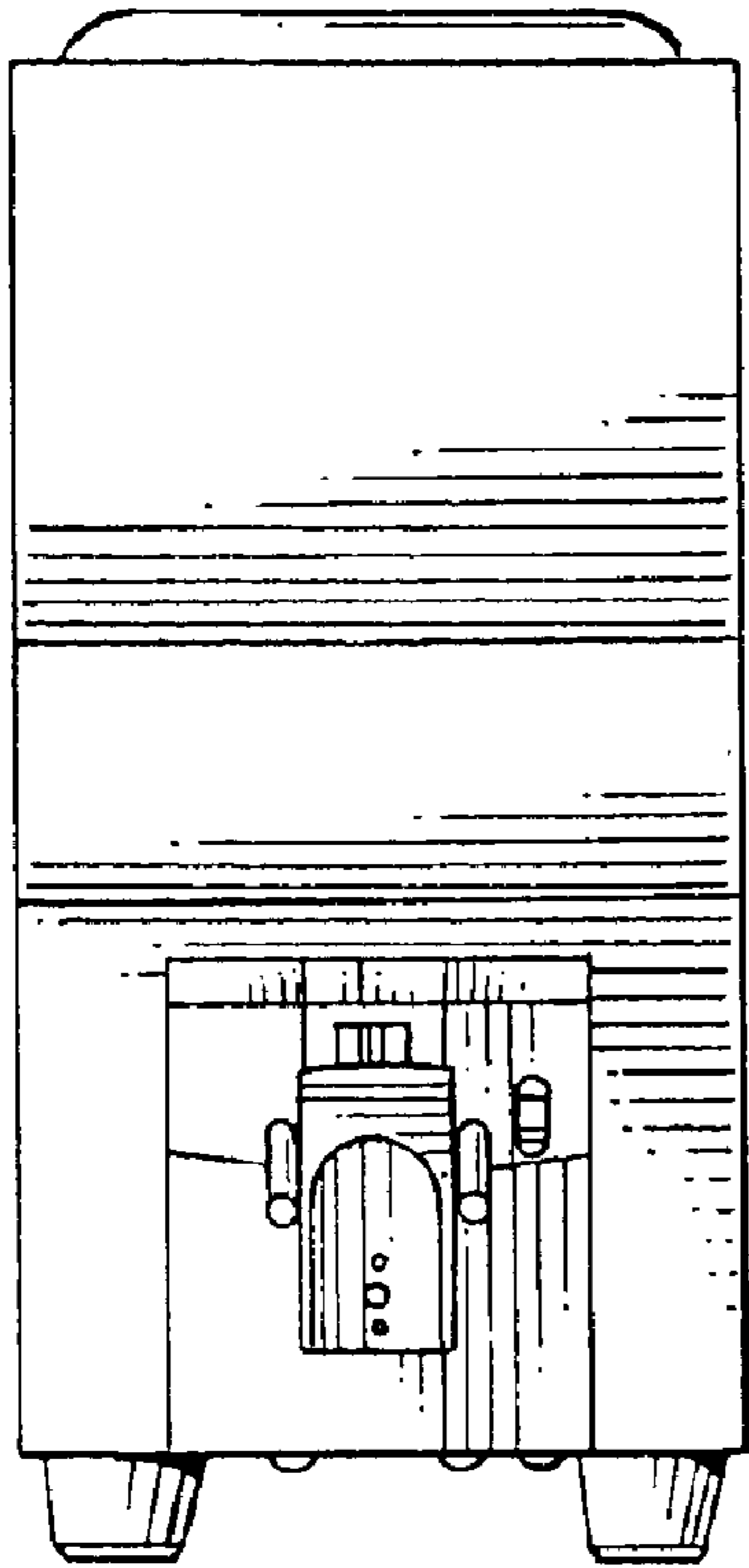


FIG. 4

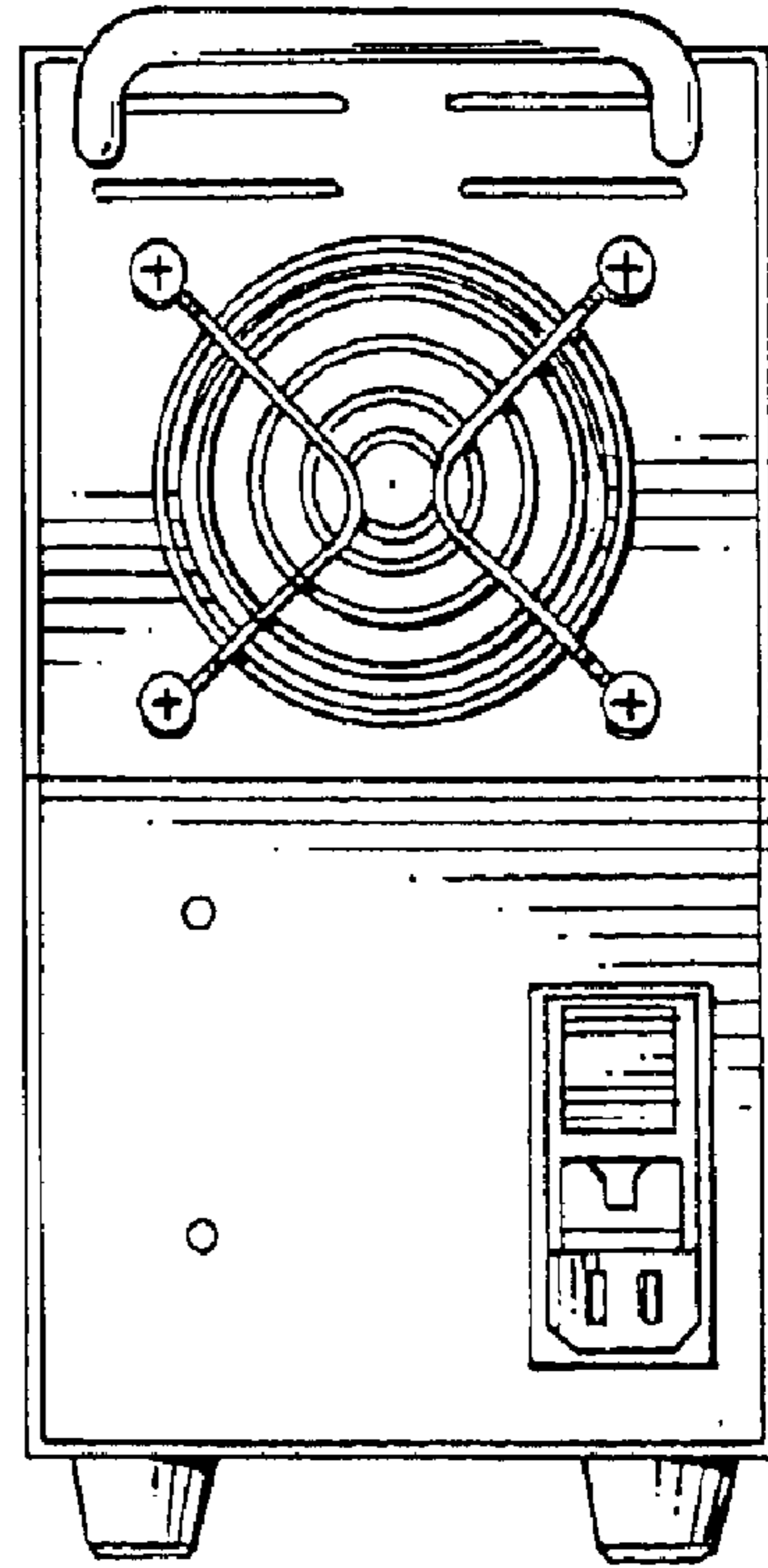


FIG. 5

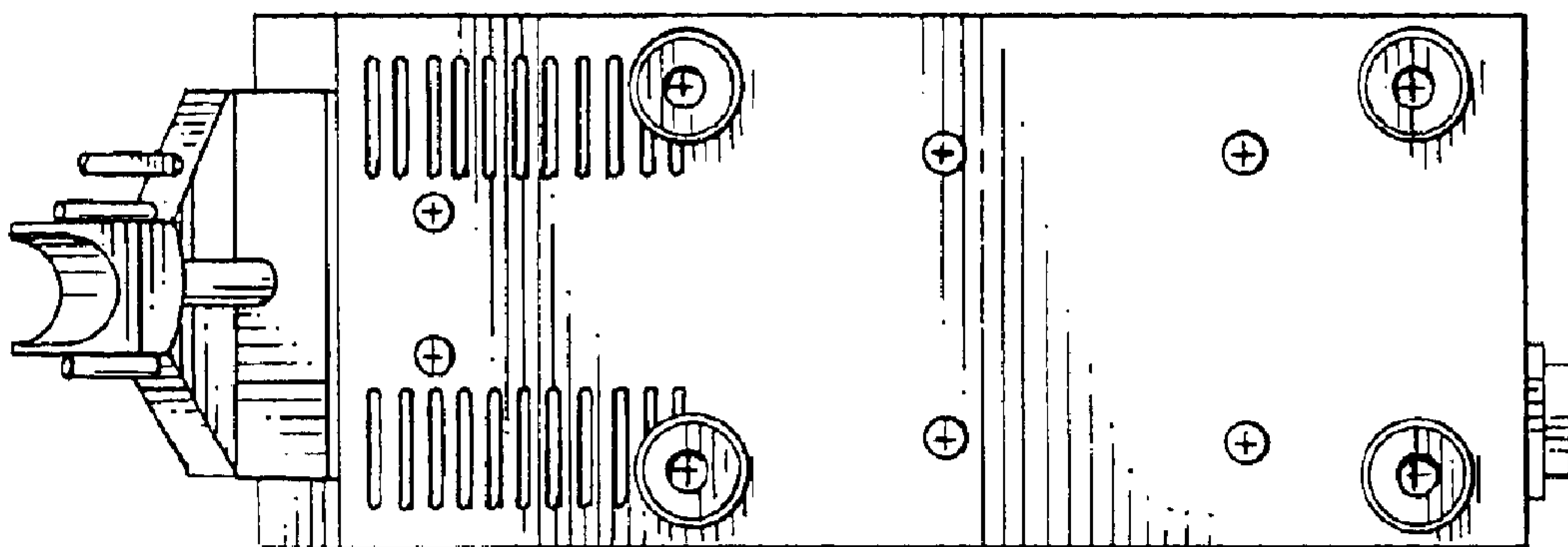


FIG. 6