



US00D502475S

(12) **United States Design Patent** (10) **Patent No.:** **US D502,475 S**
Wright et al. (45) **Date of Patent:** **** Mar. 1, 2005**

(54) **TUBING SEALER WITH PROTRUDING SEALING HEAD**
(75) Inventors: **Douglas F. Wright**, Tucson, AZ (US); **Leonard T. Williams**, Tucson, AZ (US)
(73) Assignee: **Engineering & Research Associates, Inc.**, Tucson, AZ (US)
(**) Term: **14 Years**

(21) Appl. No.: **29/192,691**
(22) Filed: **Oct. 28, 2003**

(51) **LOC (7) Cl.** **15-09**
(52) **U.S. Cl.** **D15/146**
(58) **Field of Search** D15/145-146;
219/769, 777-78, 765, 770, 774, 632, 757,
736; 156/358, 380.1, 273.7, 274.4, 274.6,
380.6, 380.7, 380.3, 477-789

(56) **References Cited**
U.S. PATENT DOCUMENTS

4,186,292 A	1/1980	Acker	
4,390,832 A	6/1983	Taylor	
4,490,598 A	12/1984	Minney et al.	
D280,515 S	9/1985	Minney et al.	
D340,730 S	10/1993	Myers	
D385,894 S	11/1997	Linner	
D457,177 S	5/2002	Hsu	
D494,608 S *	8/2004	Wright	D15/146
6,784,407 B2 *	8/2004	Wright et al.	219/769

OTHER PUBLICATIONS
National Hospital Specialties, "Genesis Tube Sealers", Sep. 2000.
Baxter Healthcare Corporation, "Hand-held Tube Sealer", 2002.

Baxter Healthcare Corporation, "Mobile, Battery-operated, Hand-held Tube Sealer", 2002.
Baxter Healthcare Corporation, "Portable, Battery-operated, Hand-held Tube Sealer", 2000.
Terumo Medical Corporation, "Teruflex ACS-152 Dielectric Sealer", 2000.
Ace Medicalinc., "Ace Sealer-01", 2001.
National Hospital Specialties, "Meeting the Demands for Today's Blood Bank Professional", 2002.
NPBI B.V., "Composeal", undated.
NPBI, "Composeal Mobilea", undated.
Hemopharm, "Tube Sealers", undated.
Ljungberg & Kogel AB, "Biosealer CR 6-PS", undated.
Biotrans GmbH, "Biotrans Composeal", undated.

* cited by examiner

Primary Examiner—Antoine D. Davis
(74) *Attorney, Agent, or Firm*—Cahill, von Hellens & Glazer P.L.C.

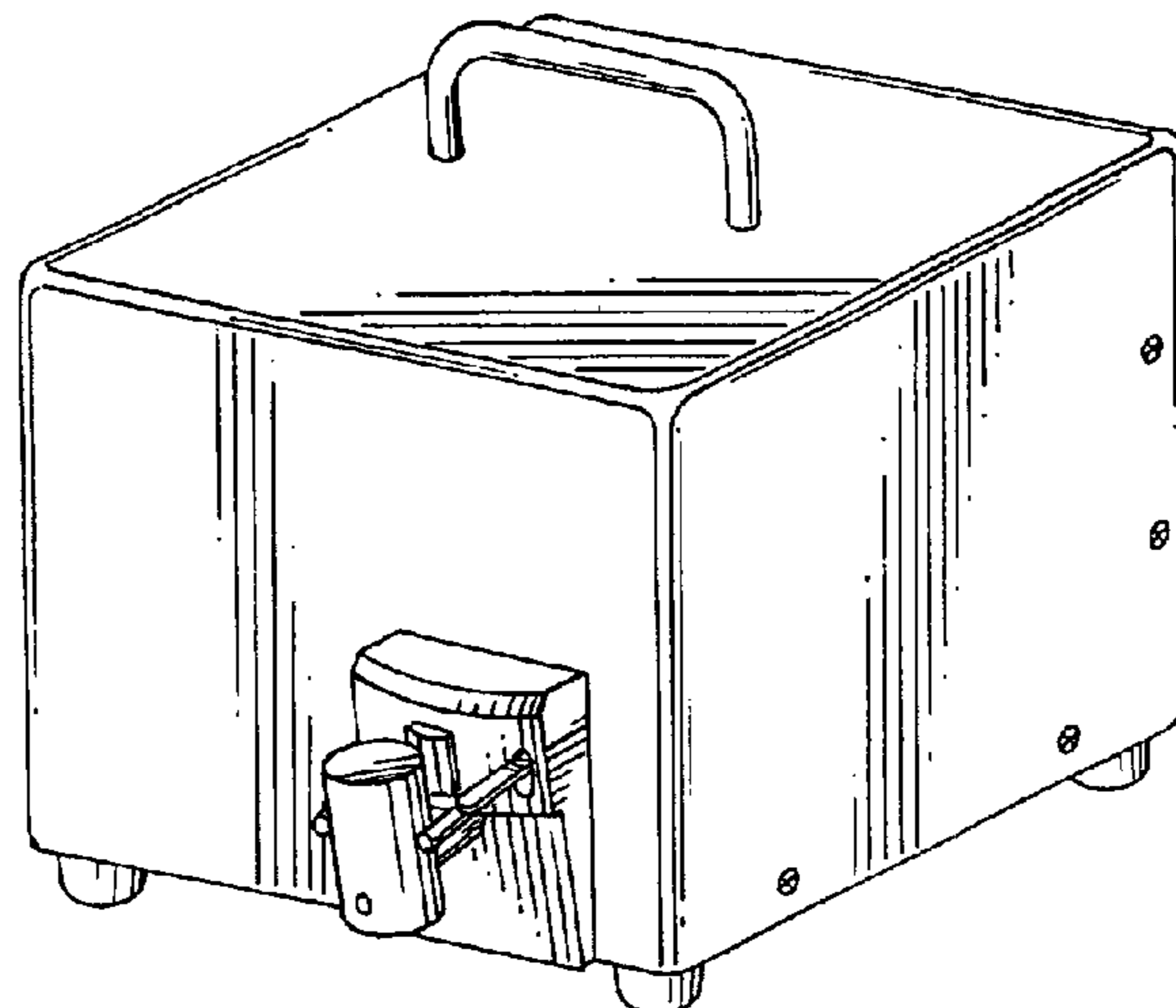
(57) **CLAIM**

The ornamental design for a tubing sealer with protruding sealing head, as shown and described.

DESCRIPTION

FIG. 1 is a right front isometric view of a tubing sealer with protruding sealing head showing our design;
FIG. 2 is a front elevational view thereof;
FIG. 3 is a right side elevational view thereof, the left side elevational view being a mirror image;
FIG. 4 is a top view thereof;
FIG. 5 is a bottom view thereof; and,
FIG. 6 is a rear elevational view thereof.

1 Claim, 3 Drawing Sheets



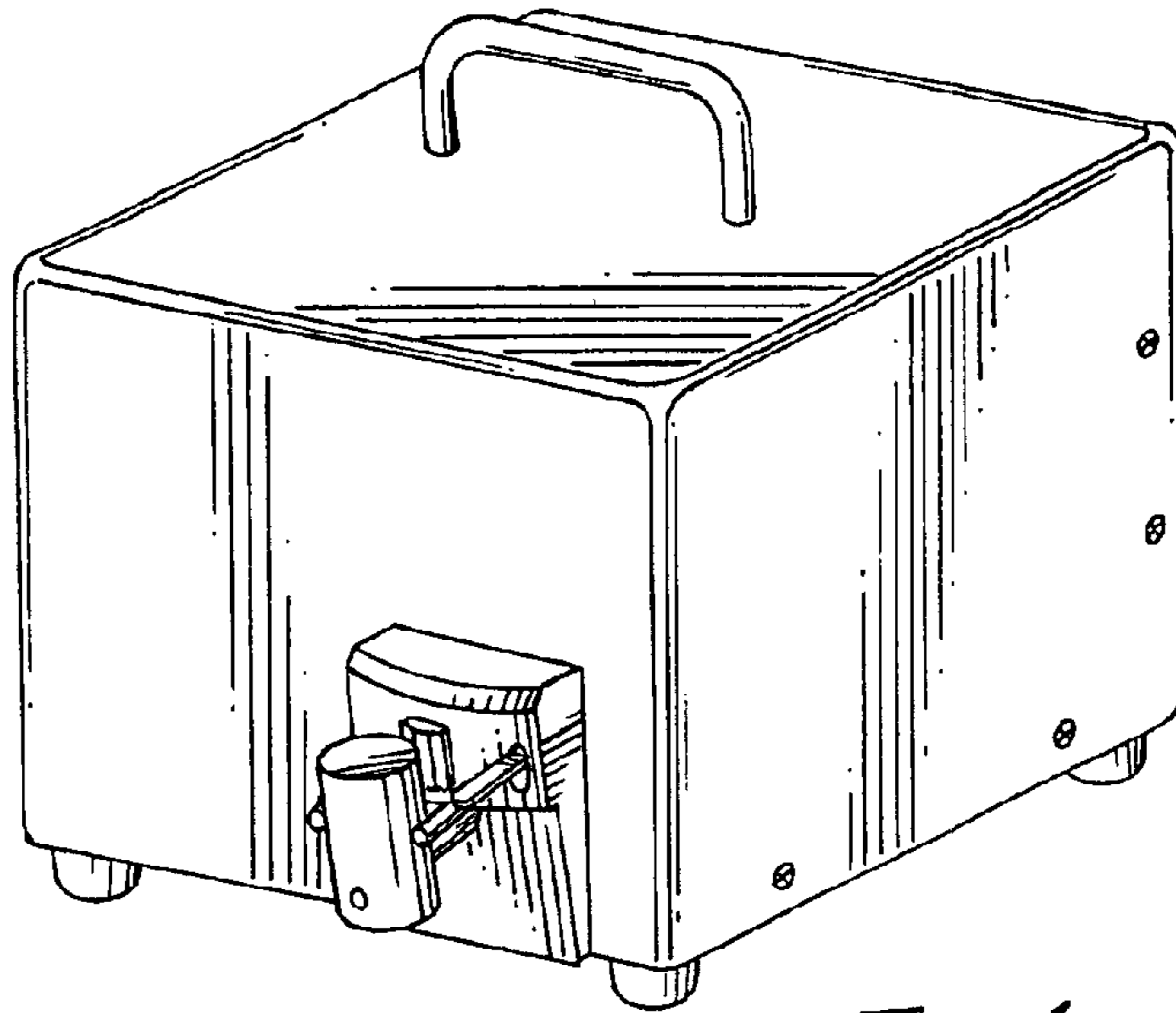


FIG. 1

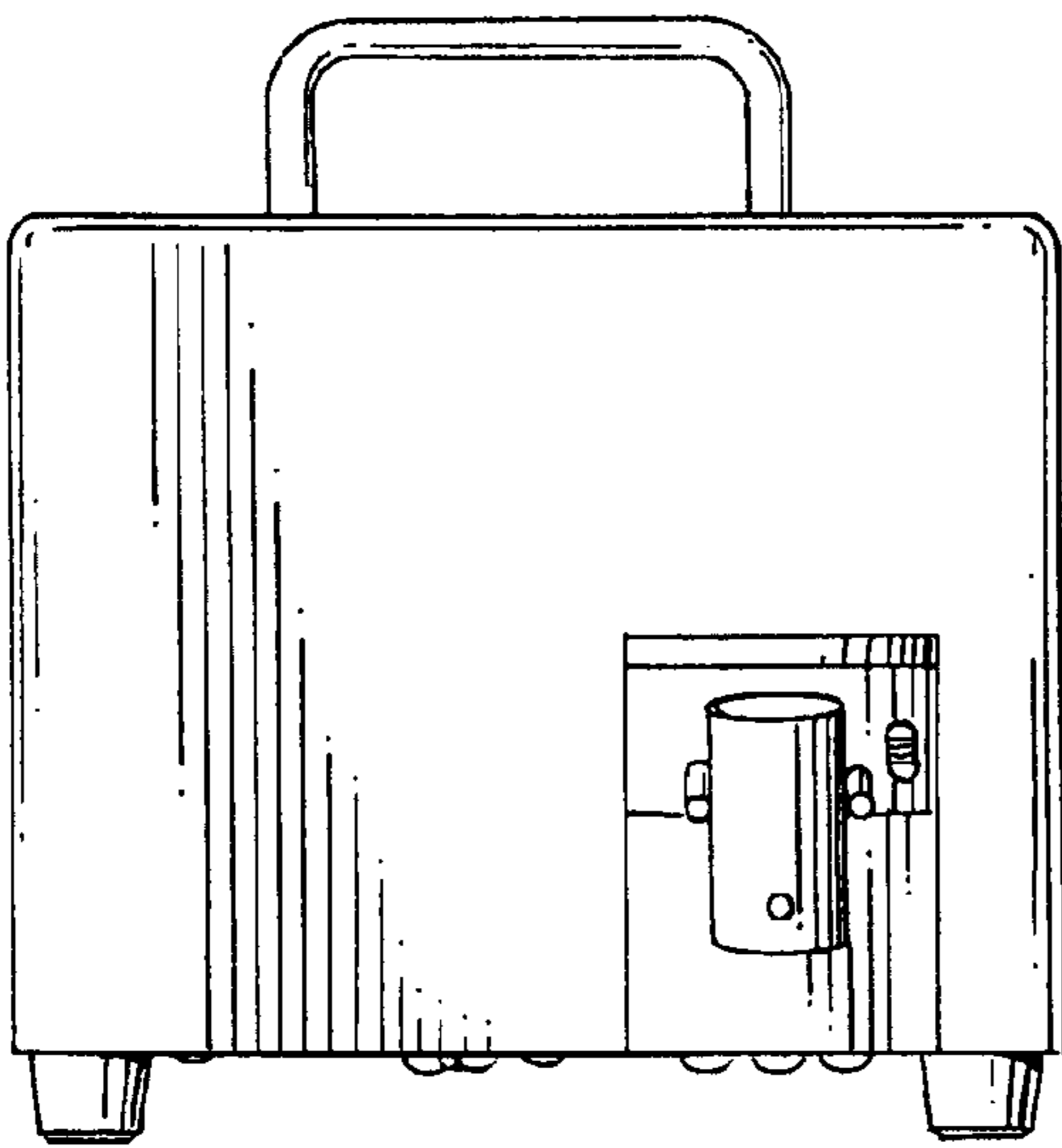


FIG. 2

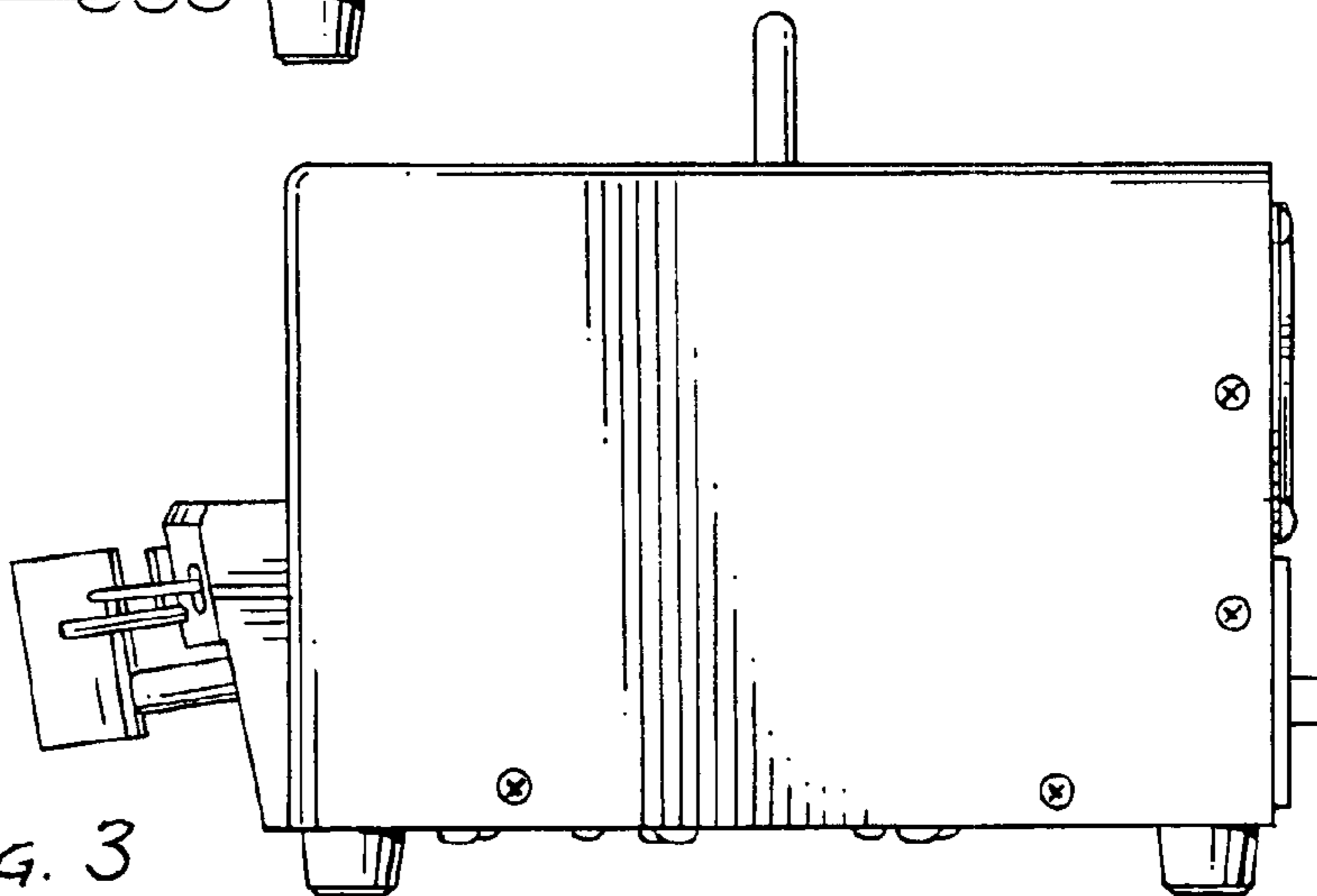


FIG. 3

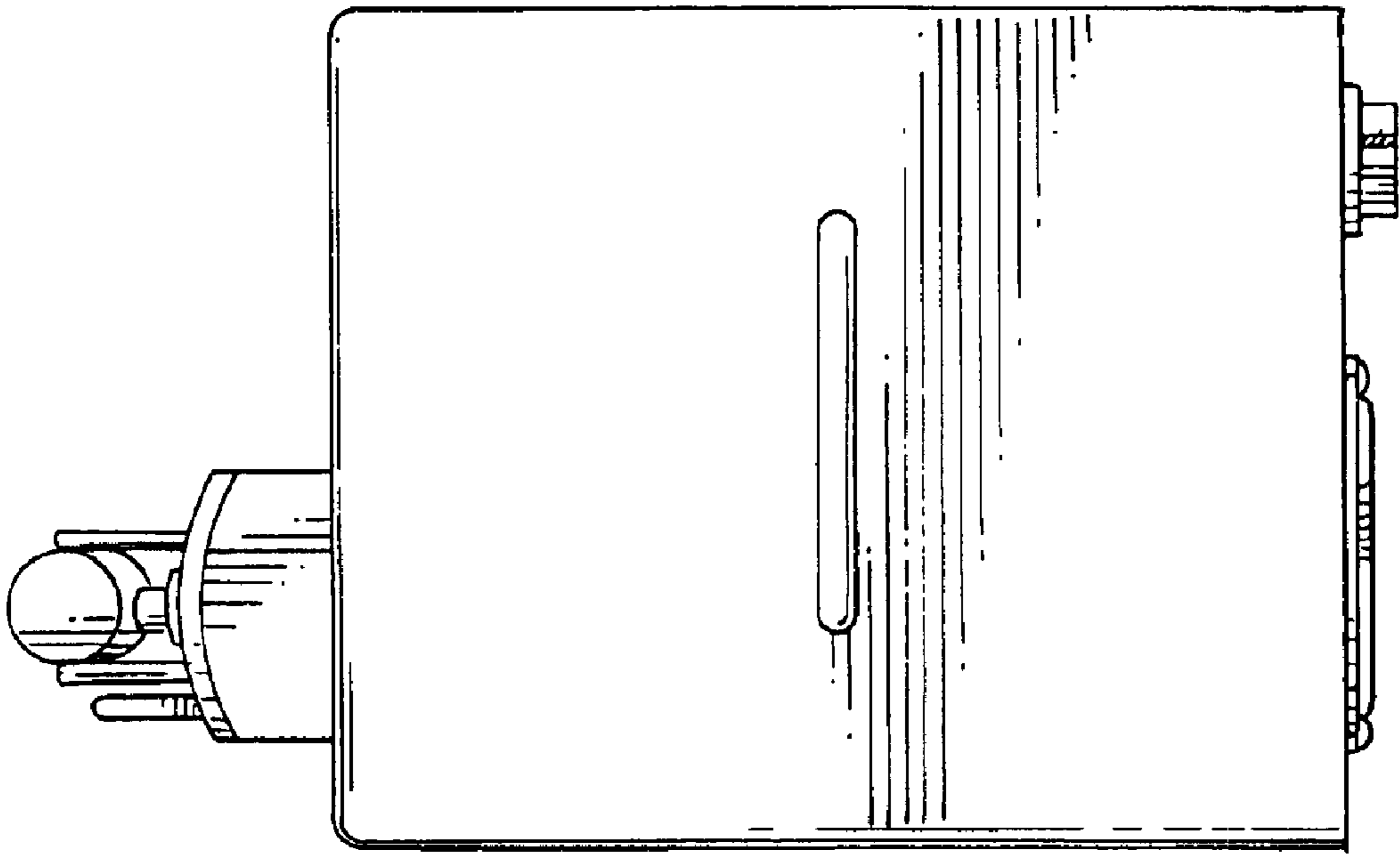


FIG. 4

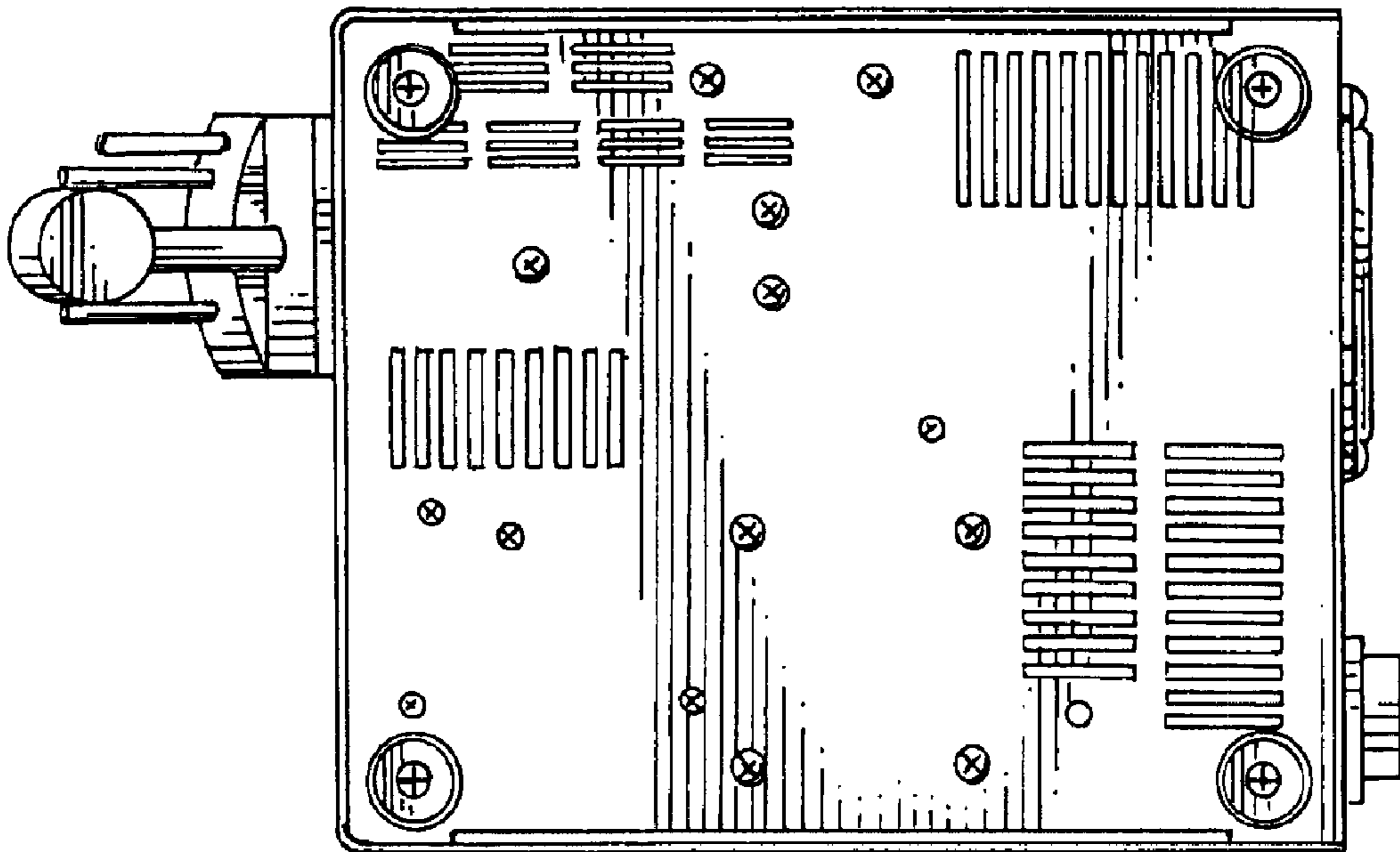


FIG. 5

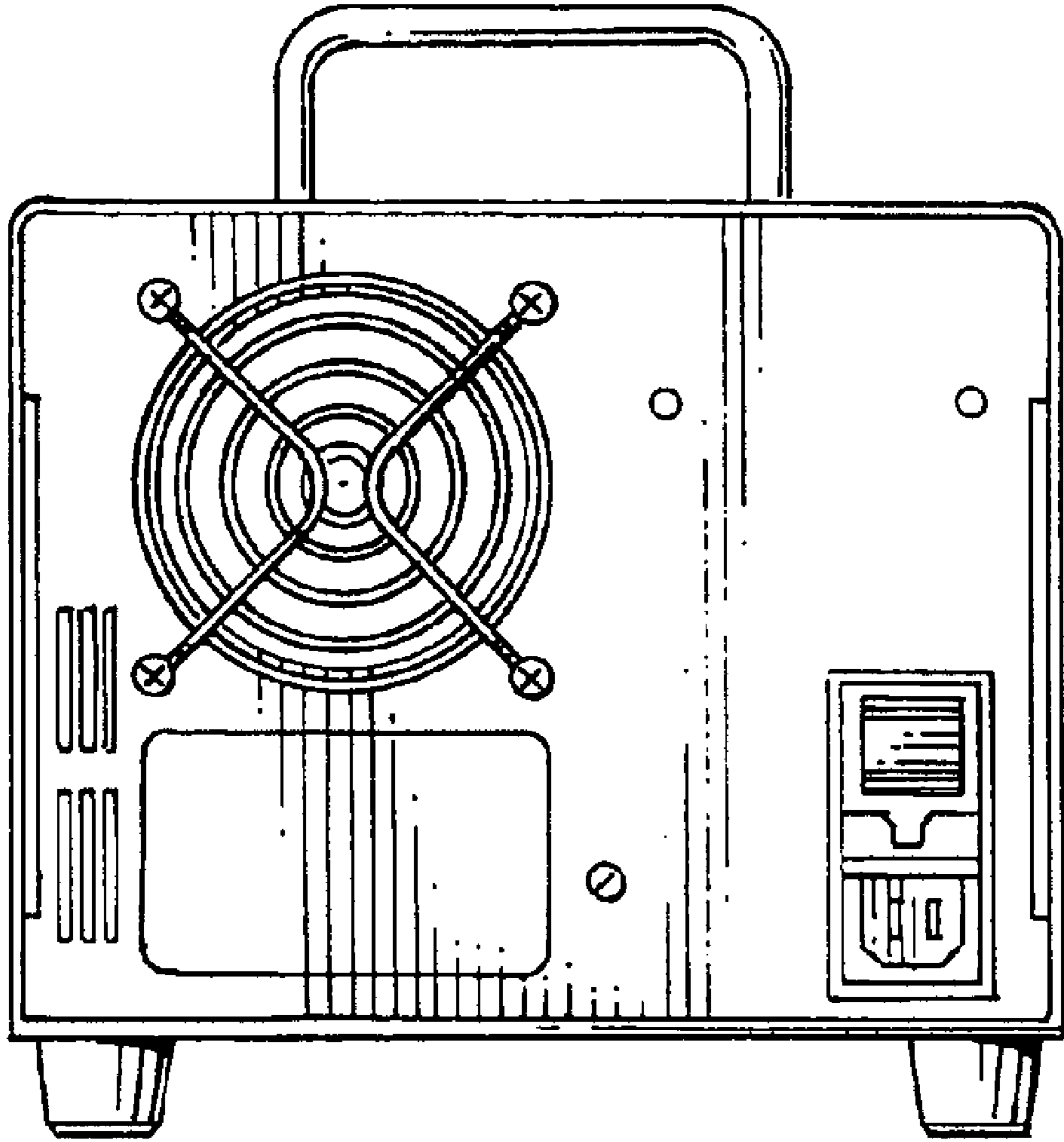


FIG. 6