



US00D502474S

(12) **United States Design Patent**
Raarup

(10) **Patent No.:** **US D502,474 S**
(45) **Date of Patent:** **** Mar. 1, 2005**

(54) **CONTROL PANEL**

(75) **Inventor:** **Howard Raarup, Sønderborg (DK)**

(73) **Assignee:** **Linak A/S, Nordborg (DK)**

(**) **Term:** **14 Years**

(21) **Appl. No.:** **29/189,685**

(22) **Filed:** **Sep. 10, 2003**

Related U.S. Application Data

(62) Division of application No. 29/164,477, filed on Jul. 26, 2002, now Pat. No. Des. 487,902.

(30) **Foreign Application Priority Data**

Jan. 30, 2002 (DK) DA 2002 00080
May 1, 2002 (DK) DA 2002 00356

(51) **LOC (7) Cl.** **15-09**

(52) **U.S. Cl.** **D15/143**

(58) **Field of Search** D15/143; 74/2,
74/3-4; 297/DIG. 3; 91/2, 41-52

(56) **References Cited**

U.S. PATENT DOCUMENTS

D465,797 S * 11/2002 Landerholm et al. D15/143

2003/0038443 A1 * 2/2003 Reiner et al. 280/124.16
2003/0198125 A1 * 10/2003 Linsen et al. 366/152.1
2003/0209866 A1 * 11/2003 Kwon 280/5.522
2003/0209869 A1 * 11/2003 Kwon 280/86.75
2004/0065547 A1 * 4/2004 Stevens et al. 204/405

* cited by examiner

Primary Examiner—Antoine D. Davis

(74) *Attorney, Agent, or Firm*—Dykema Gossett PLLC

(57) **CLAIM**

The ornamental design for a control panel, as shown and described.

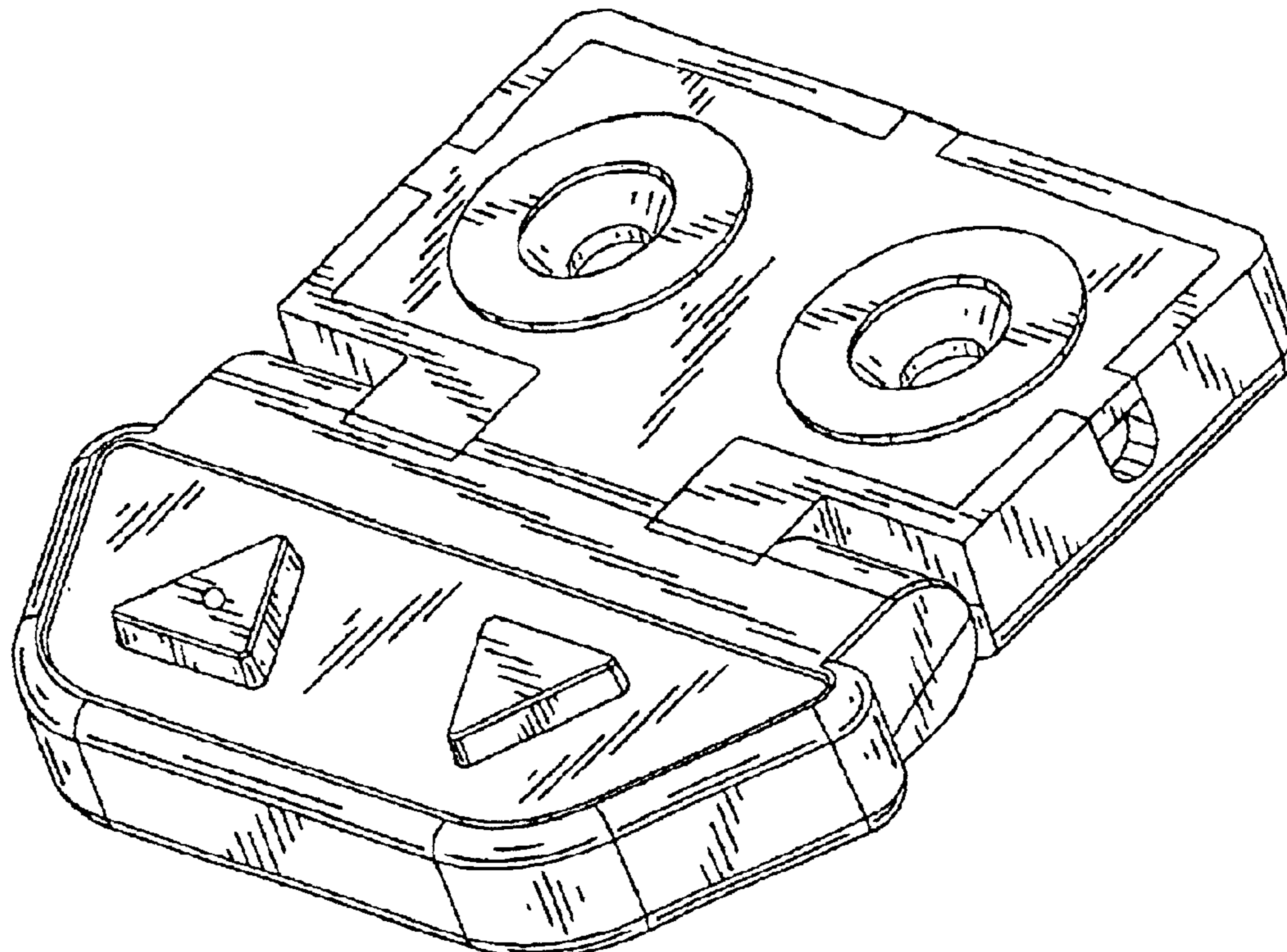
DESCRIPTION

FIG. 1 is a perspective front view of the control panel according to my design,

FIG. 2 is a perspective rear view thereof; and,

FIGS. 3-6 are perspective front views thereof with the panel in respective first, second, third and fourth inclined orientations.

1 Claim, 3 Drawing Sheets



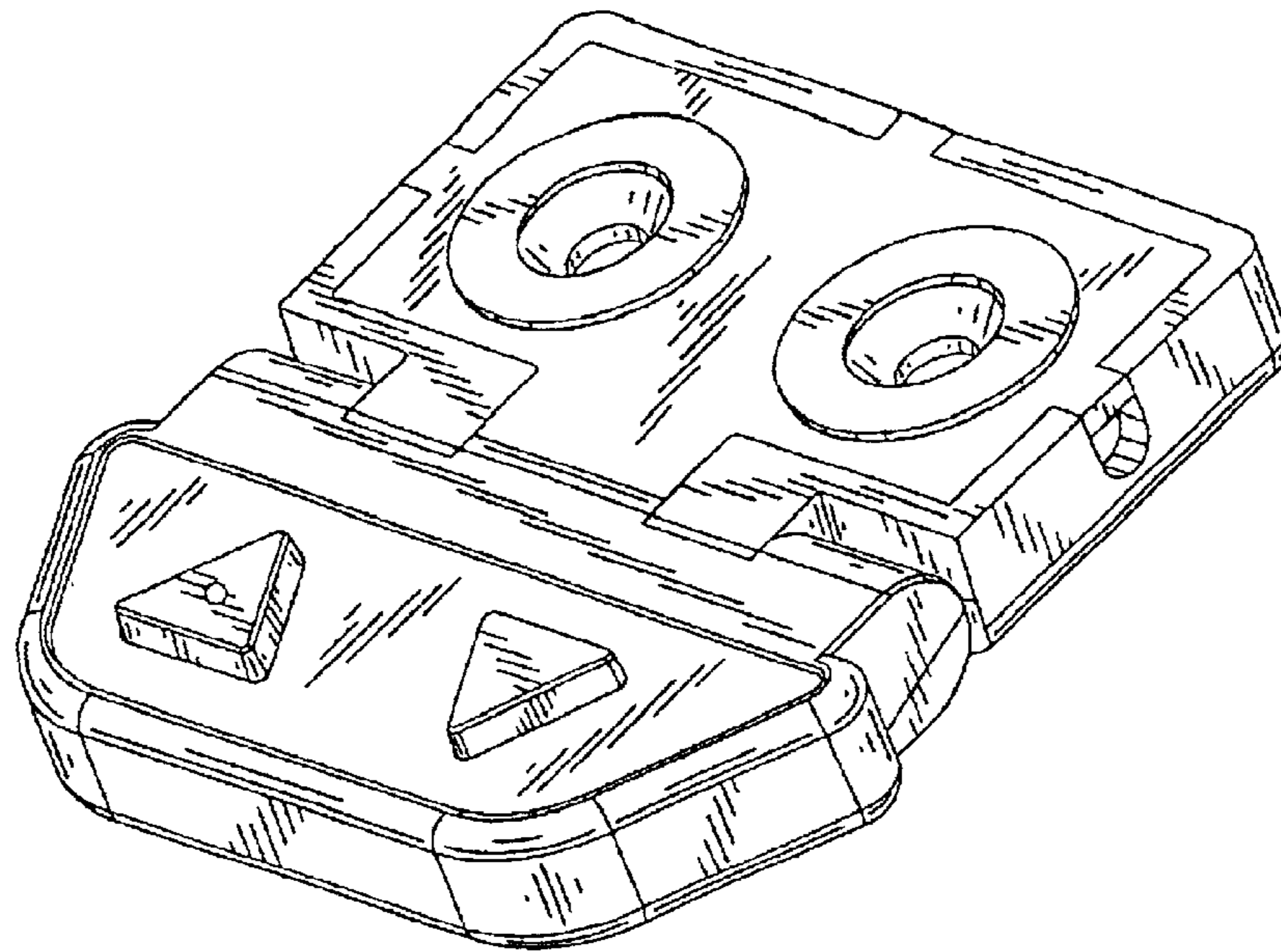


FIG. 1

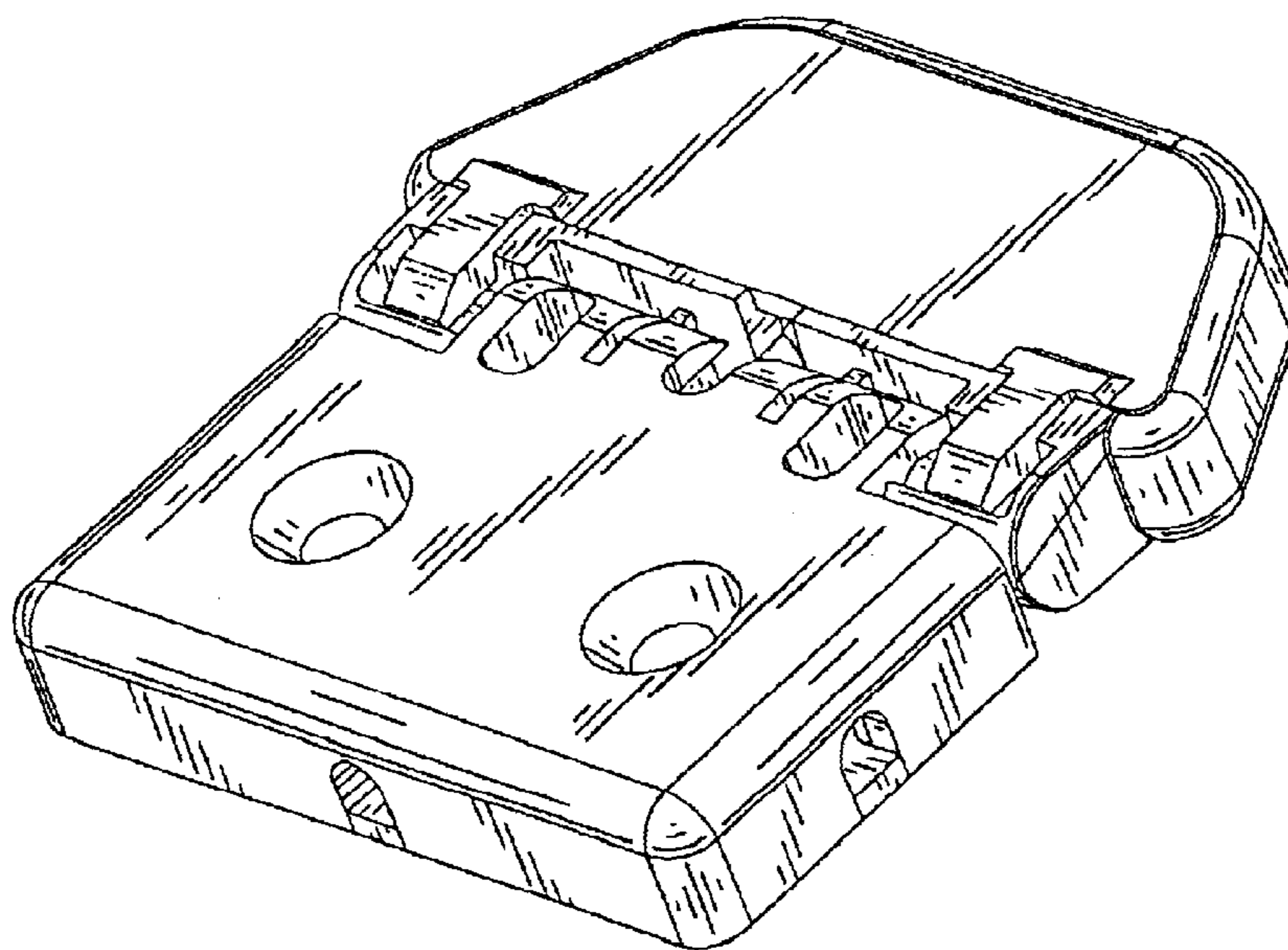


FIG. 2

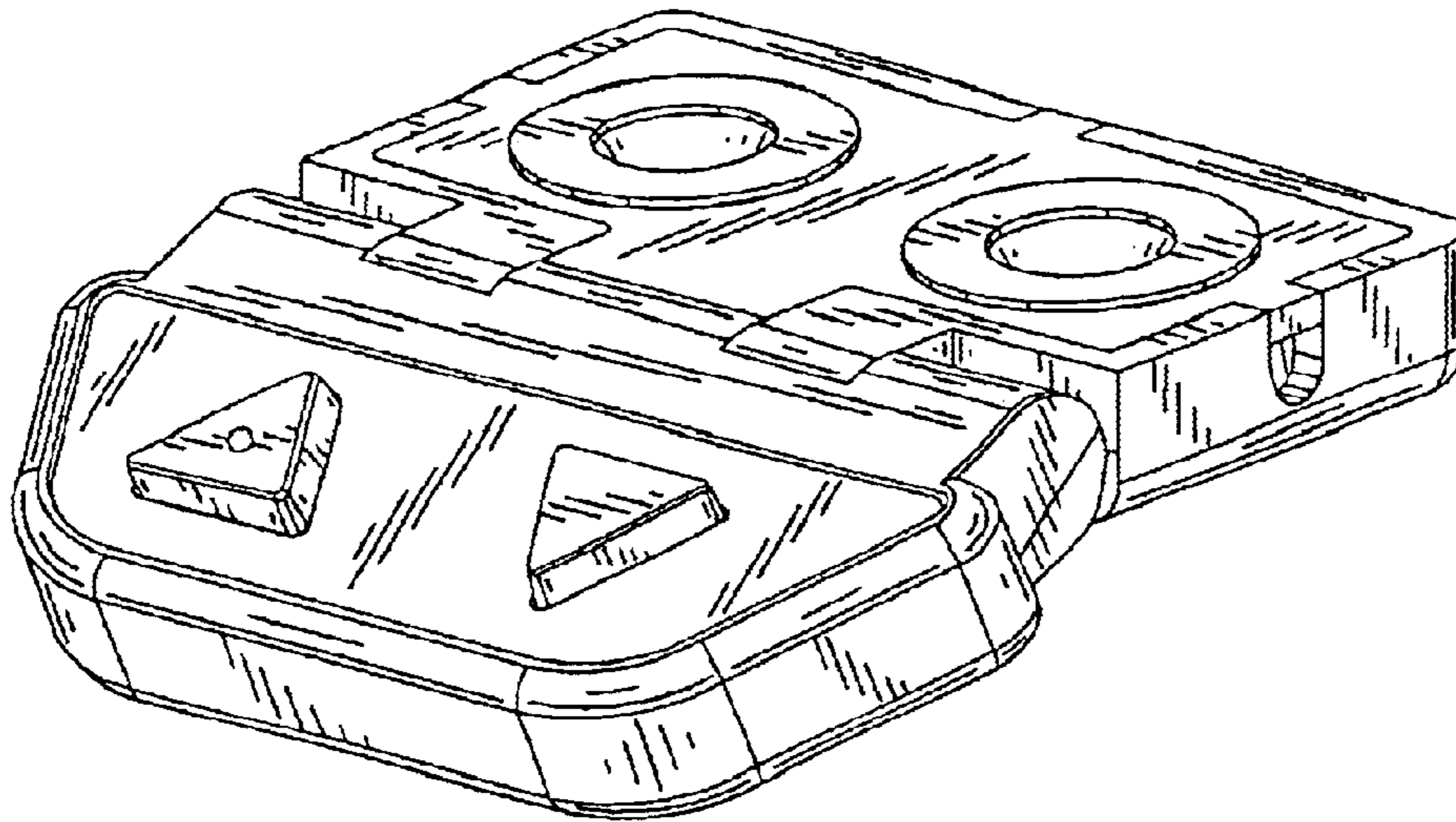


FIG. 3

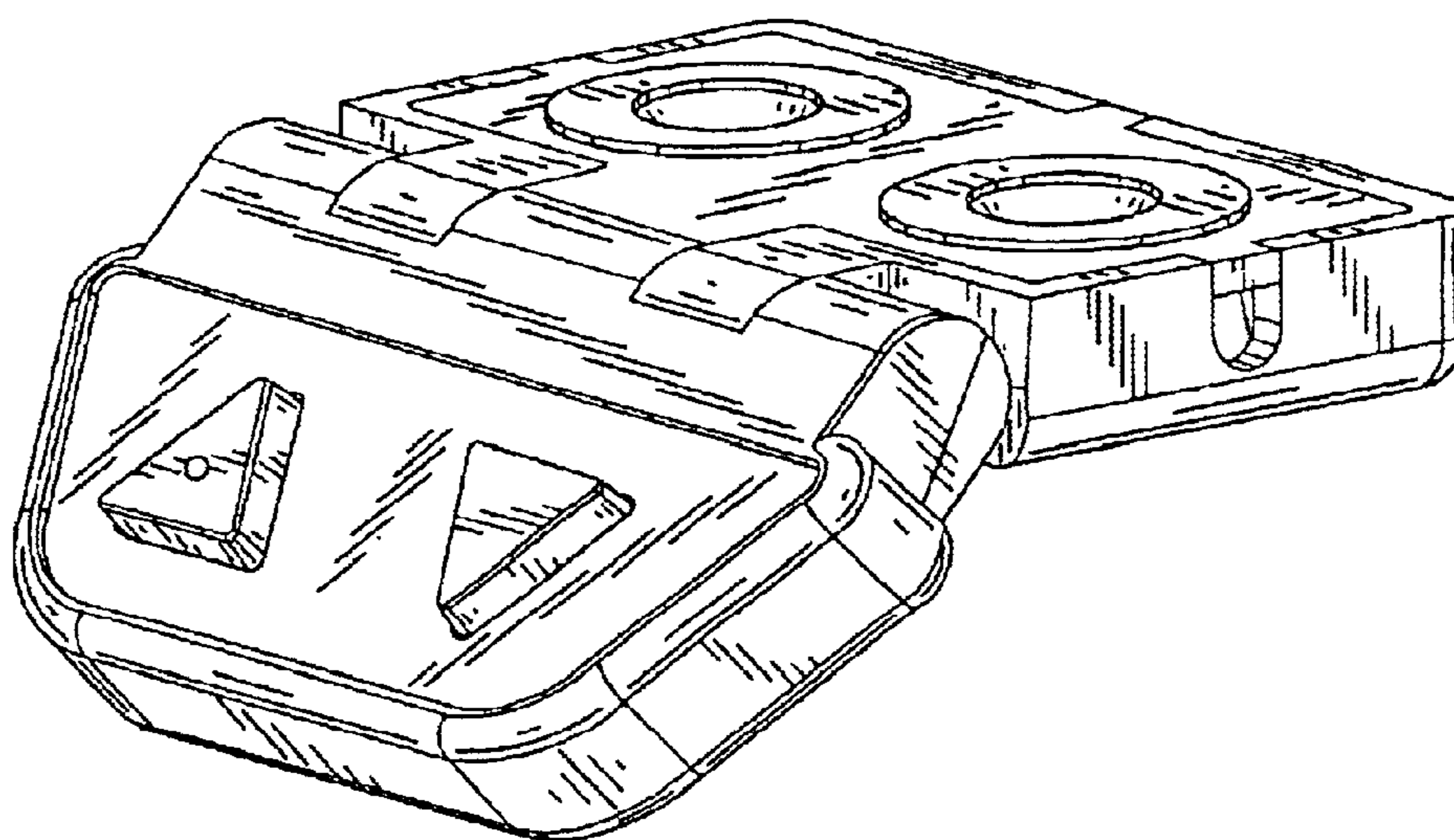


FIG. 4

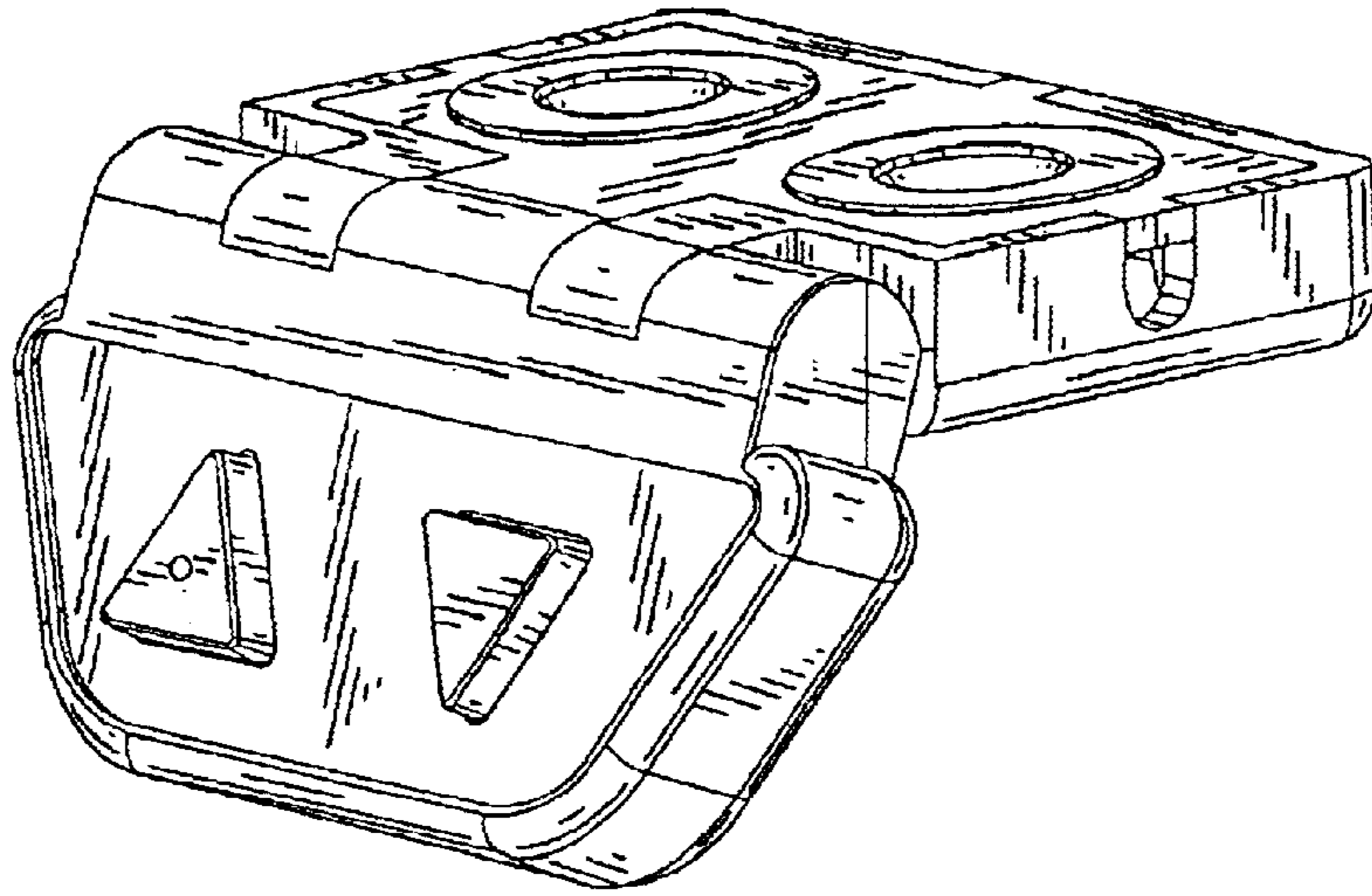


FIG. 5

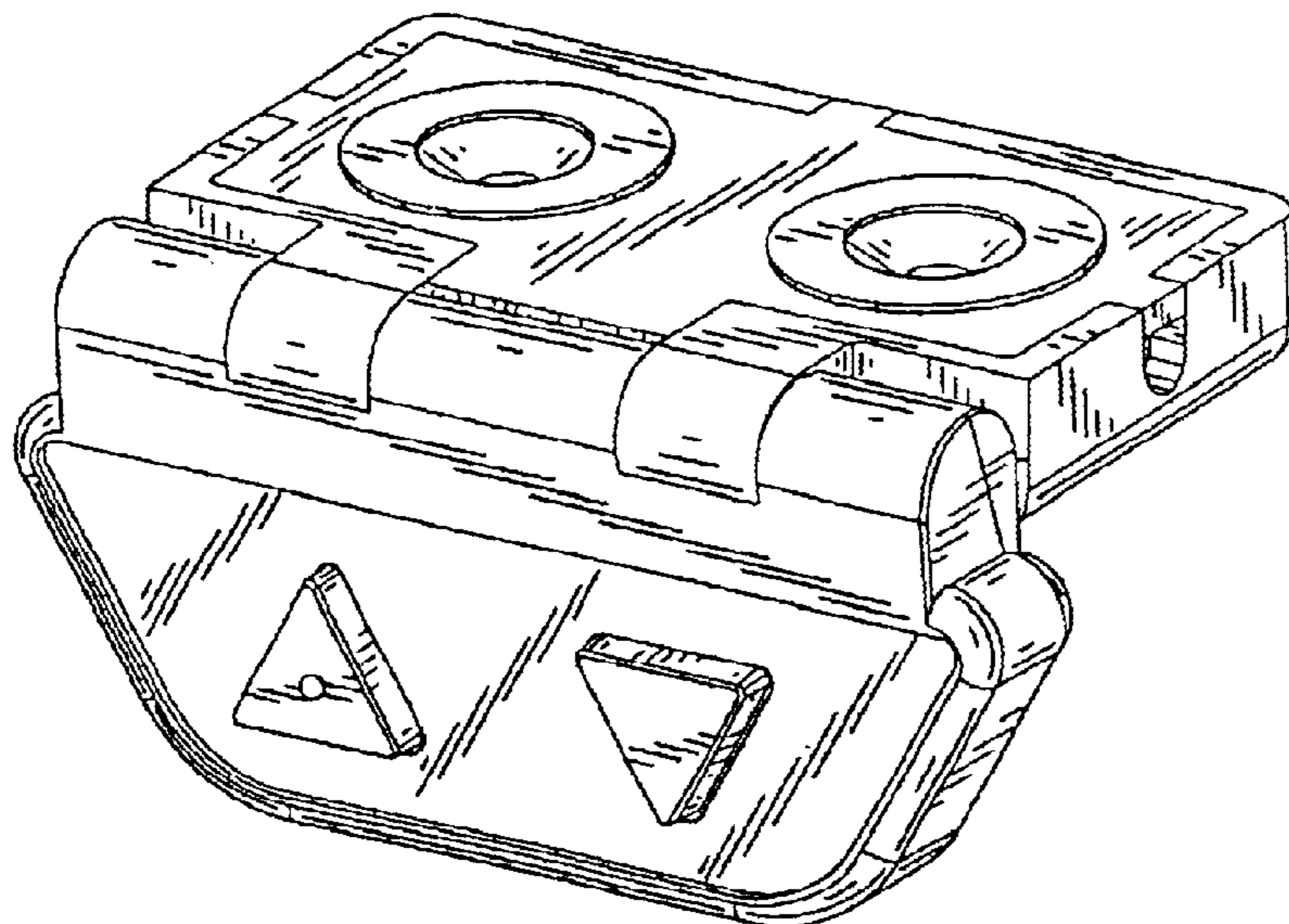


FIG. 6