

US00D502473S

(12) **United States Design Patent**
Tong

(10) **Patent No.:** **US D502,473 S**
(45) **Date of Patent:** **** Mar. 1, 2005**

(54) **CUTTING INSERT STRUCTURE**

(75) **Inventor:** **Nelson Pao Chung Tong**, Massillon, OH (US)

(73) **Assignee:** **Manchester Tool Company**, Akron, OH (US)

(**) **Term:** **14 Years**

(21) **Appl. No.:** **29/179,152**

(22) **Filed:** **Apr. 4, 2003**

(51) **LOC (7) Cl.** **15-09**

(52) **U.S. Cl.** **D15/139**

(58) **Field of Search** D15/138, 139;
407/113-117

(56) **References Cited**

U.S. PATENT DOCUMENTS

5,511,911	A	*	4/1996	Katbi et al.	407/114
5,676,495	A	*	10/1997	Katbi et al.	407/114
6,238,147	B1	*	5/2001	Tagtstrom et al.	407/117
D452,870	S		1/2002	Hansson et al.	
D466,537	S	*	12/2002	Hansson et al.	D15/139
D470,516	S	*	2/2003	Andersson	D15/139
D470,517	S	*	2/2003	Andersson	D15/139

OTHER PUBLICATIONS

Page 22 of product catalog of PH Horn for grooving tools, date unknown.

1 page of product catalog of Zinner for Recessing and cut off System 2000, date unknown.

* cited by examiner

Primary Examiner—Brian N Vinson

(74) *Attorney, Agent, or Firm*—Watts Hoffmann Co., LPA

(57) **CLAIM**

I claim the ornamental design for a cutting insert structure, as shown and described.

DESCRIPTION

FIG. 1 is a perspective view of a cutting insert structure showing one embodiment of my new design;

FIG. 2 is a left end view of the cutting insert structure shown in FIG. 1;

FIG. 3 is a right end view of the cutting insert structure shown in FIG. 1;

FIG. 4 is a top plan view of the cutting insert structure shown in FIG. 1;

FIG. 5 is a side elevational view of the cutting insert structure shown in FIG. 1; and,

FIG. 6 is a bottom plan view of the cutting insert structure shown in FIG. 1.

FIG. 7 is a perspective view of a cutting insert structure showing another embodiment of my new design;

FIG. 8 is a left end view of the cutting insert structure shown in FIG. 7;

FIG. 9 is a right end view of the cutting insert structure shown in FIG. 7;

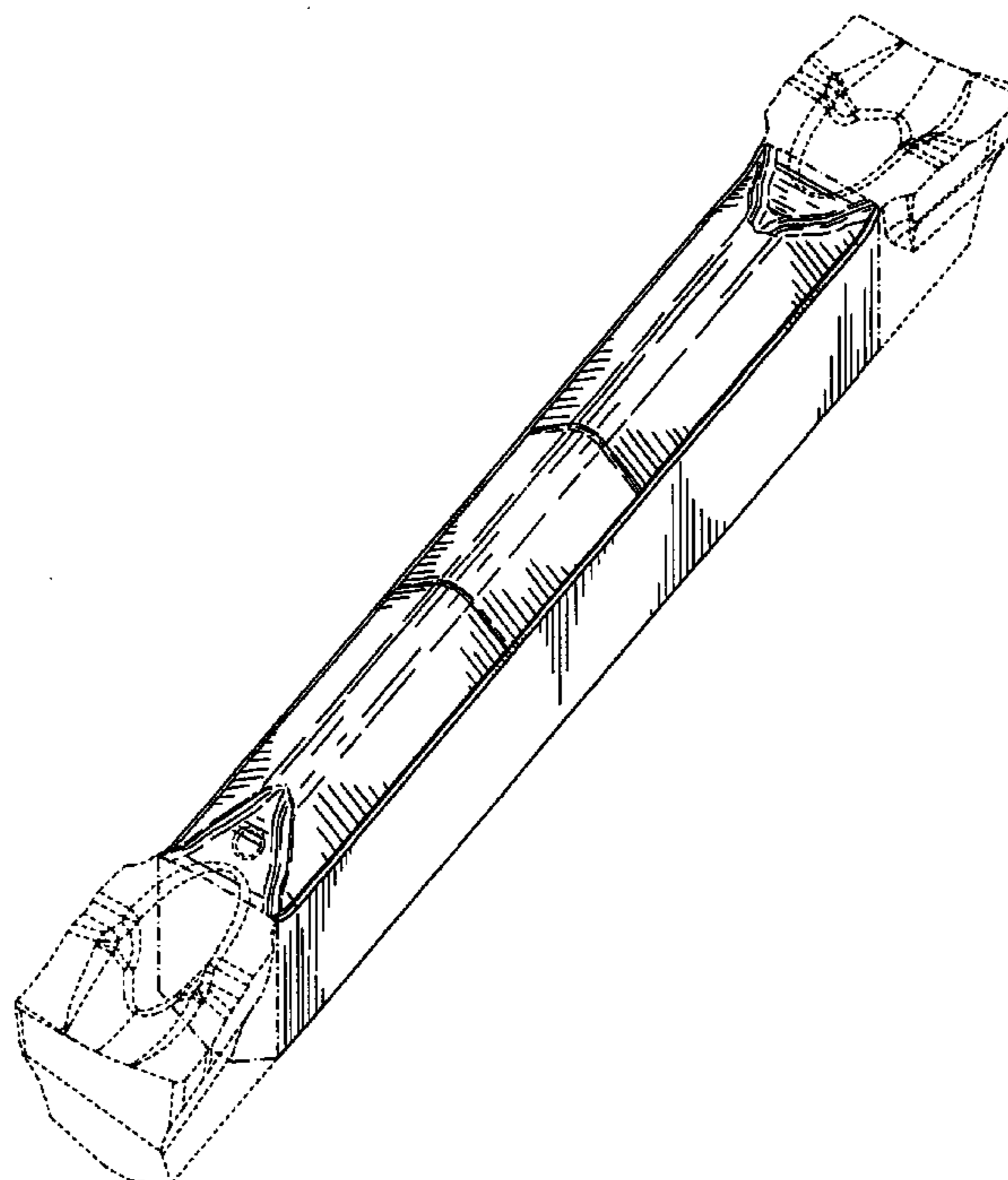
FIG. 10 is a top plan view of the cutting insert structure shown in FIG. 7;

FIG. 11 is a side elevational view of the cutting insert structure shown in FIG. 7; and,

FIG. 12 is a bottom plan view of the cutting insert structure shown in FIG. 7.

The broken lines in FIGS. 1-12 are for illustrative purposes only and do not form part of the invention shown in FIGS. 1-12.

1 Claim, 4 Drawing Sheets



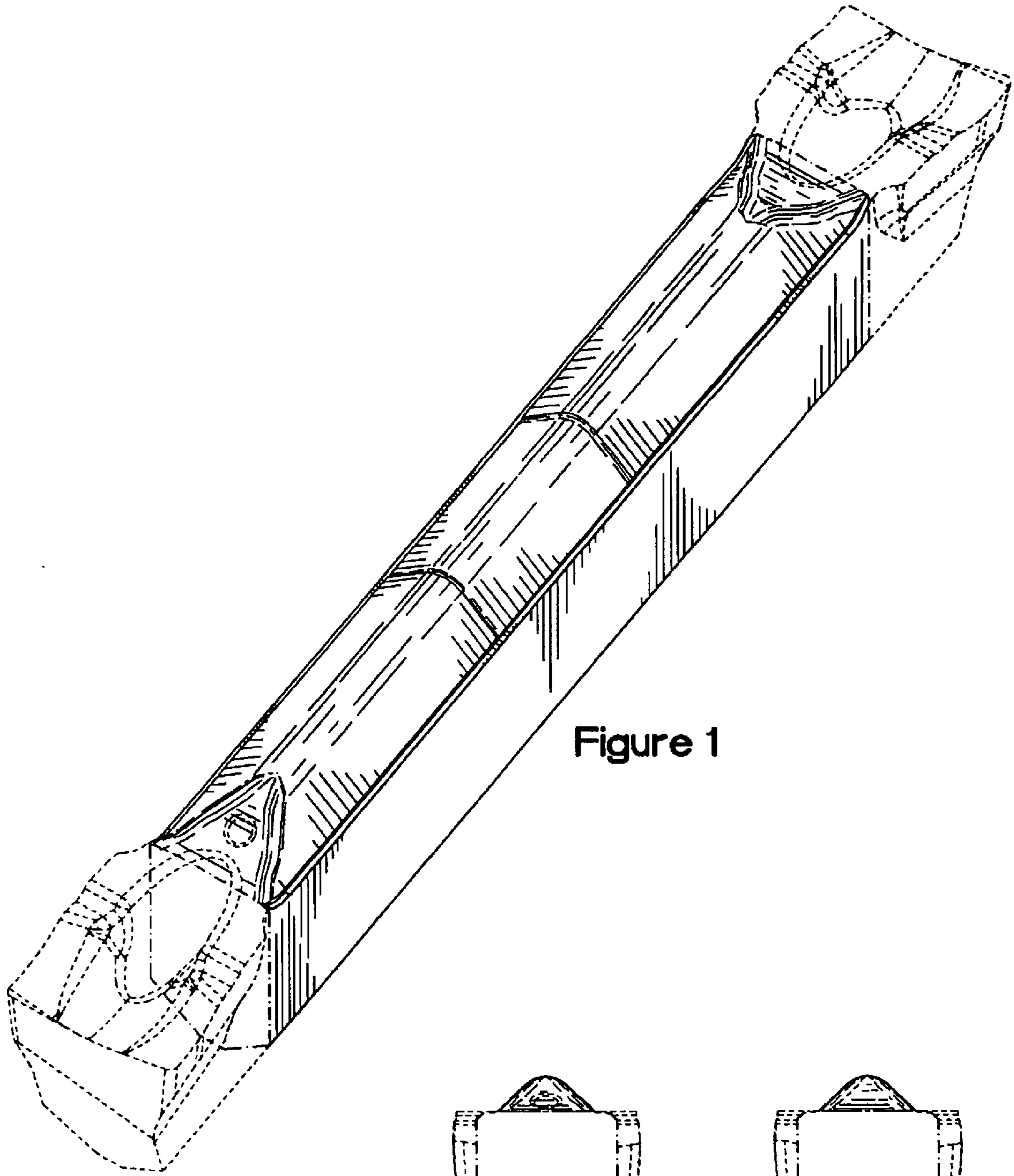


Figure 1

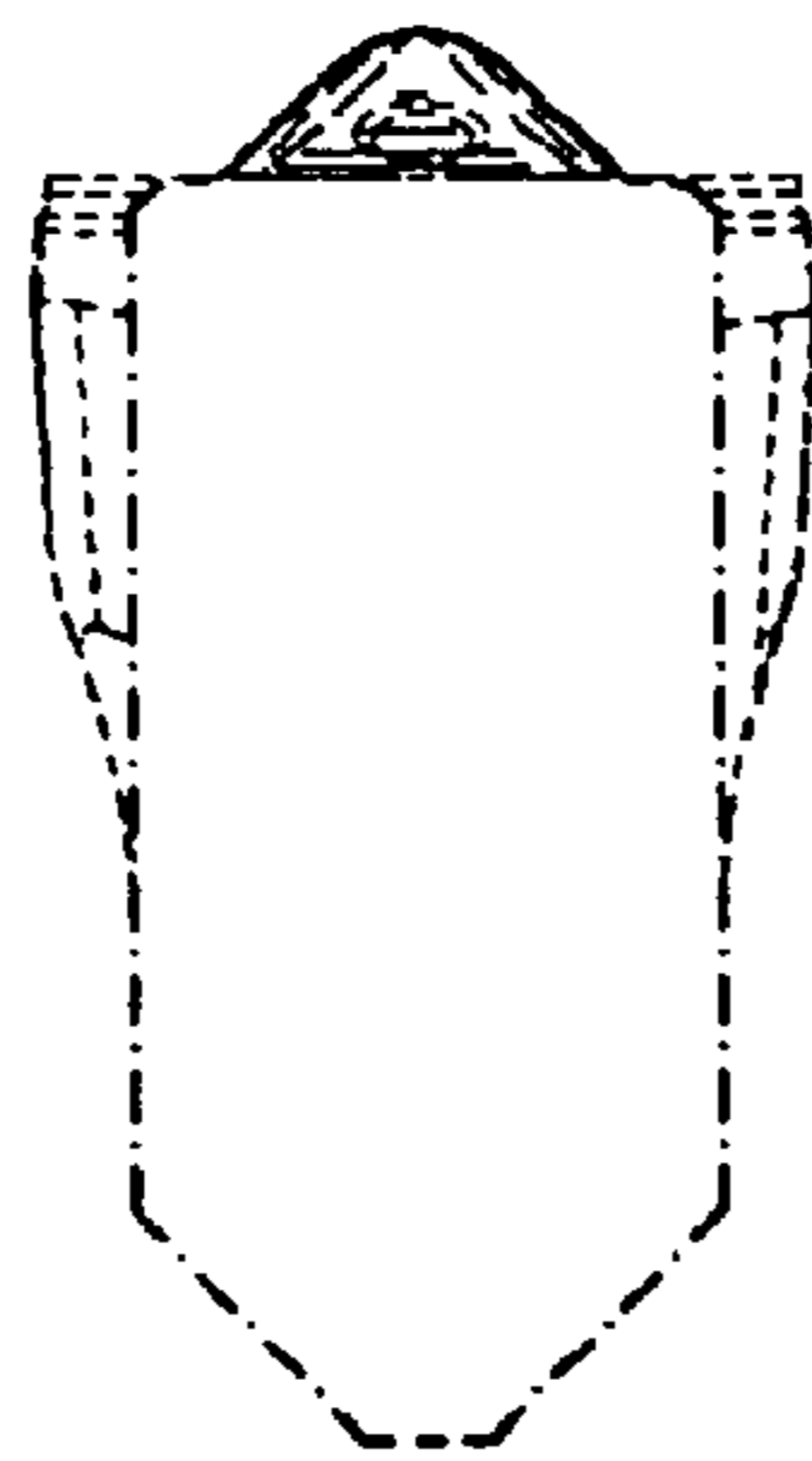


Figure 2

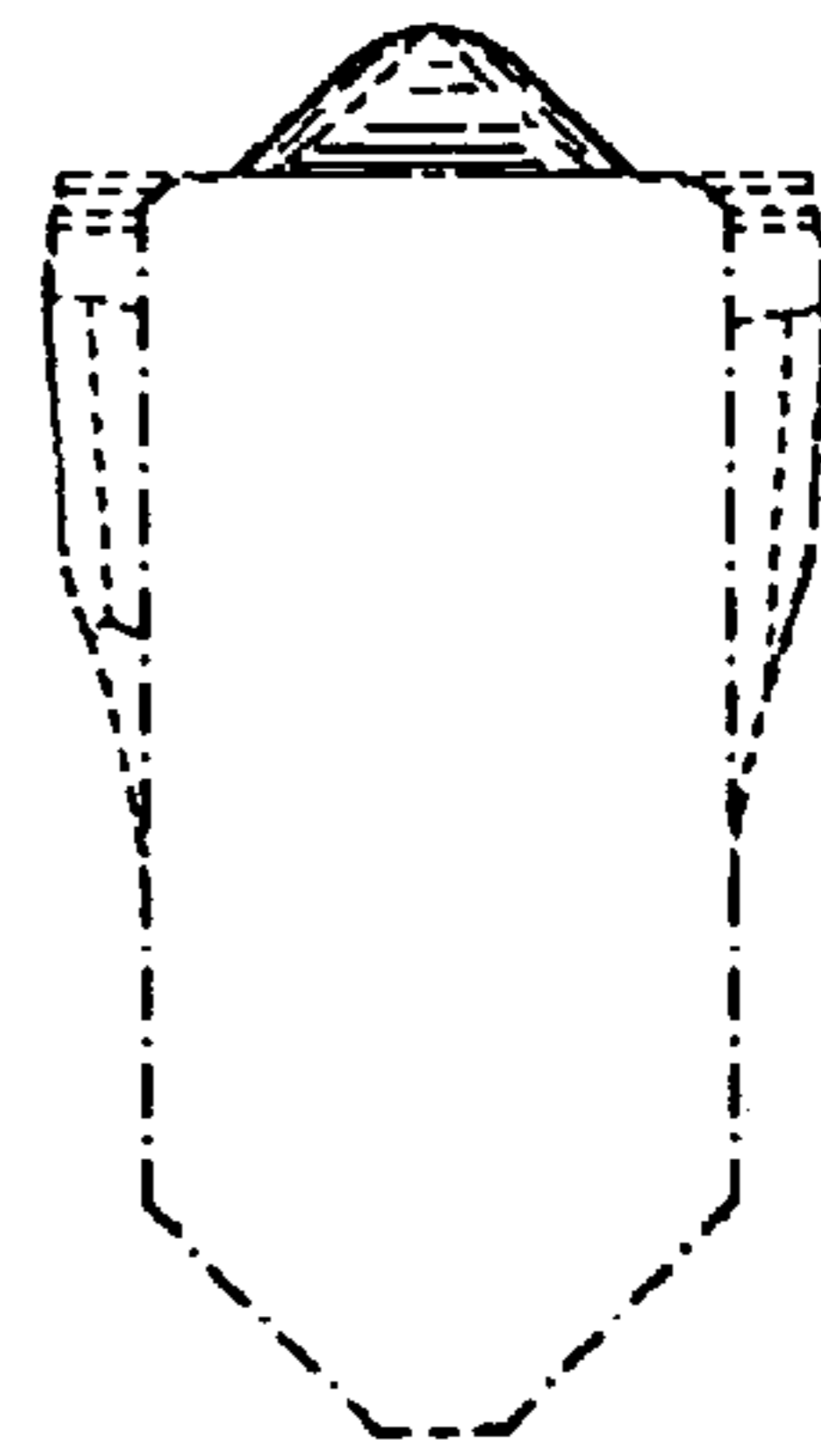


Figure 3



Figure 4

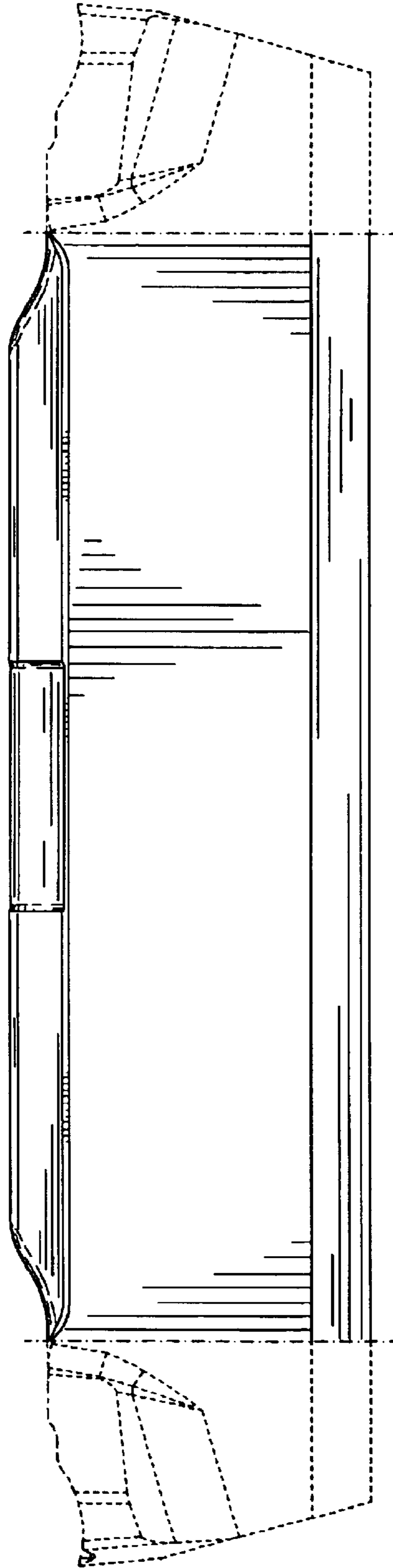


Figure 5

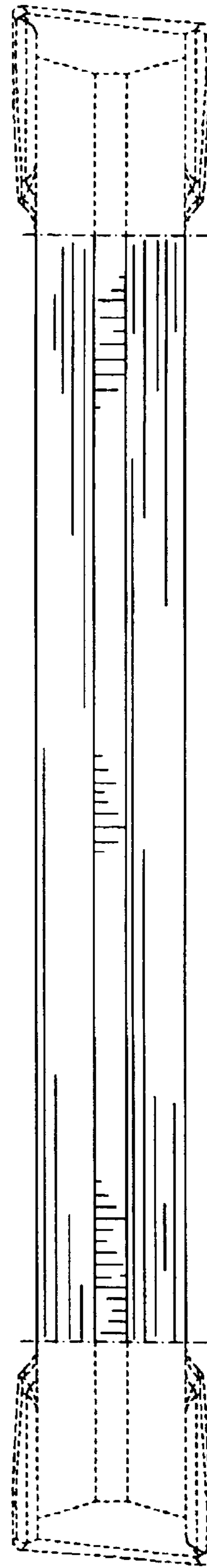


Figure 6

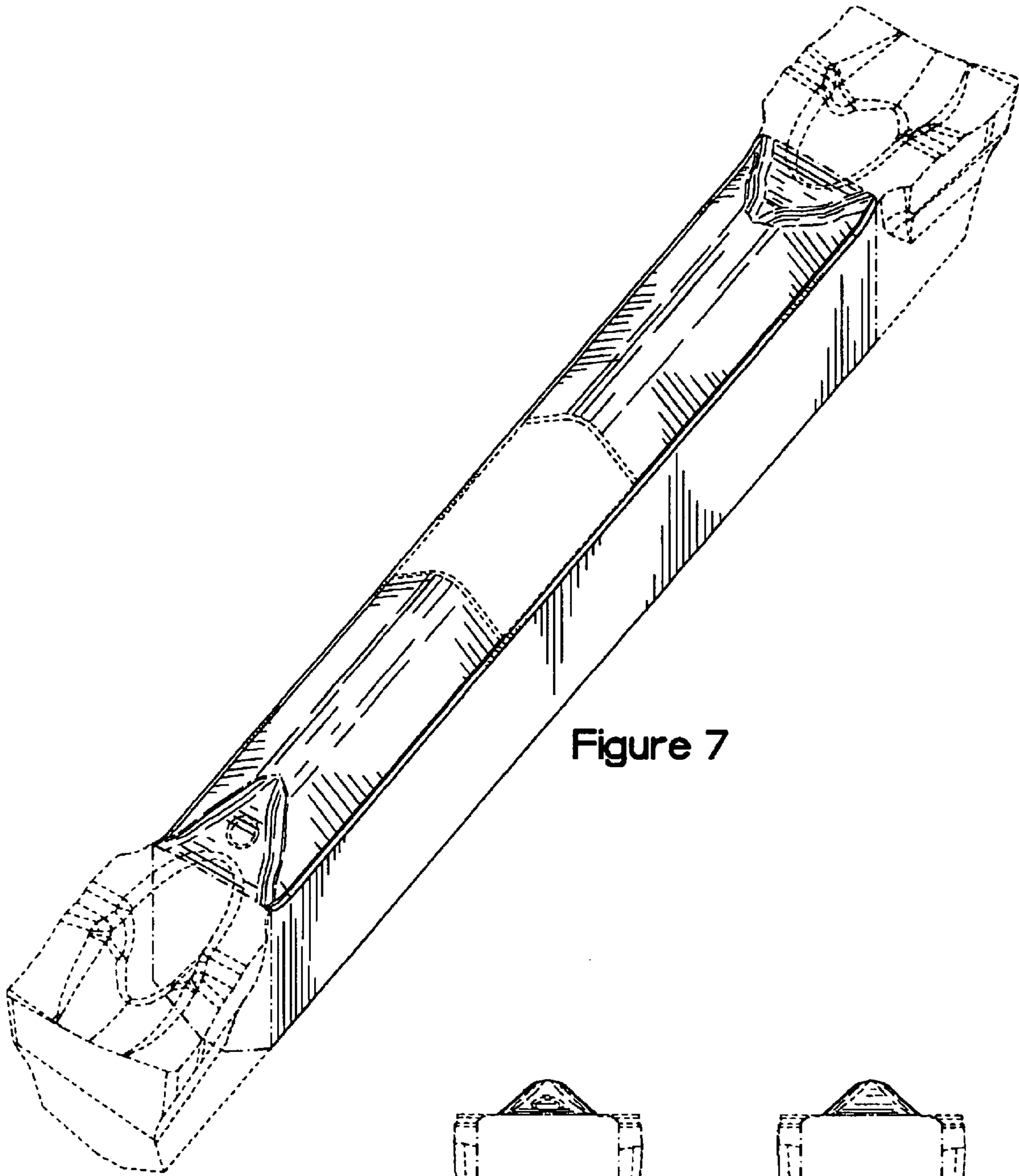


Figure 7

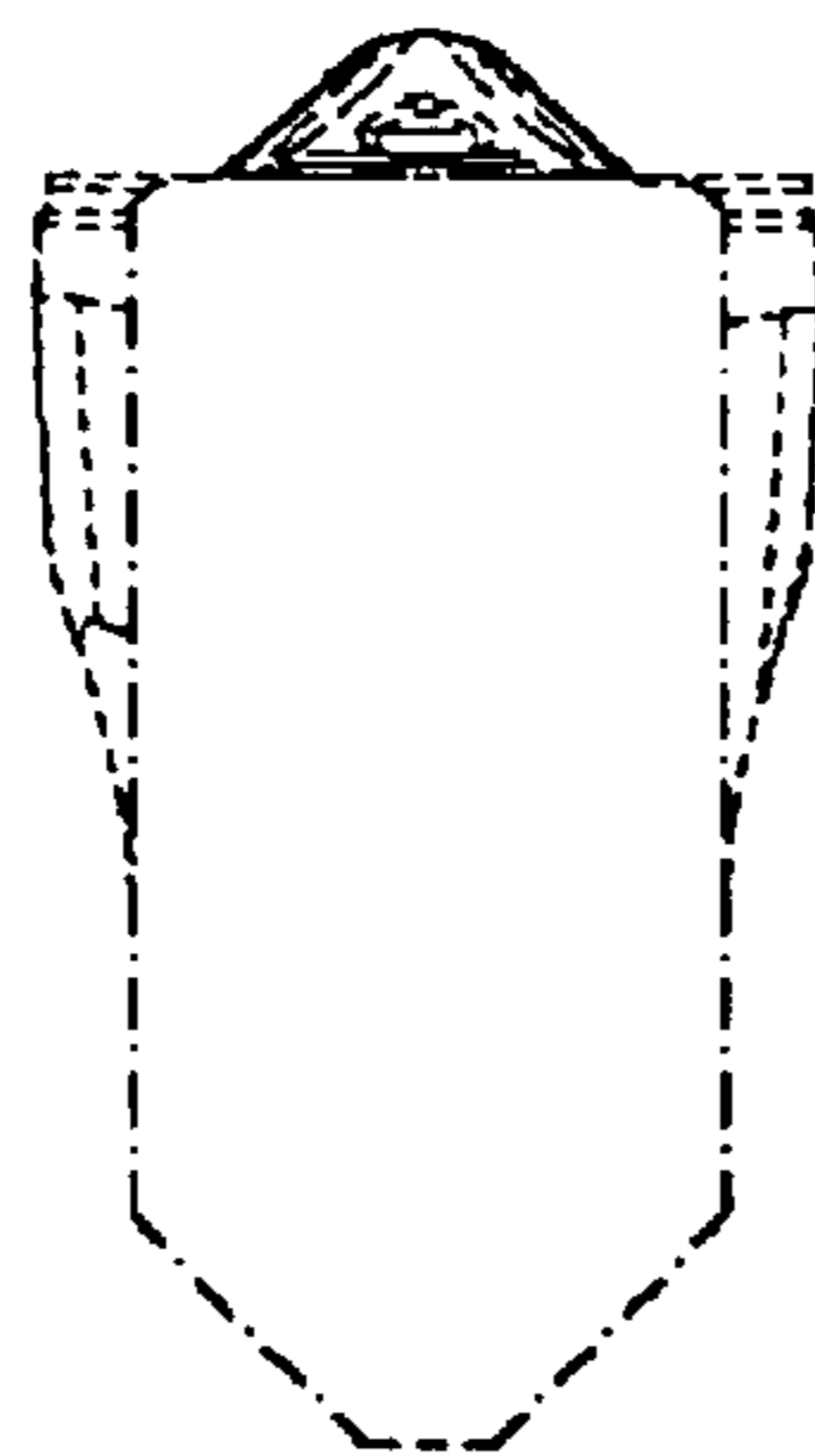


Figure 8

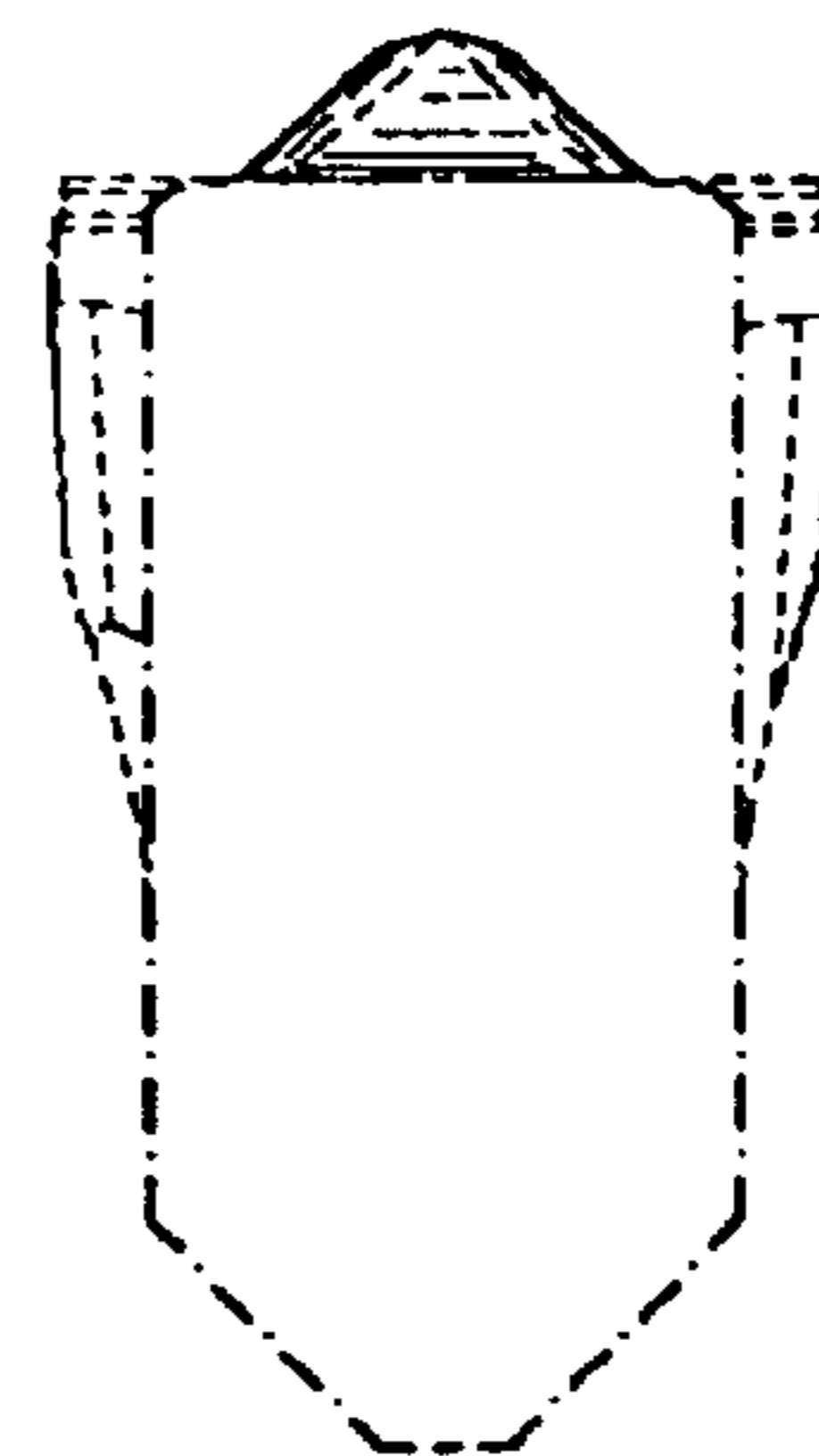


Figure 9

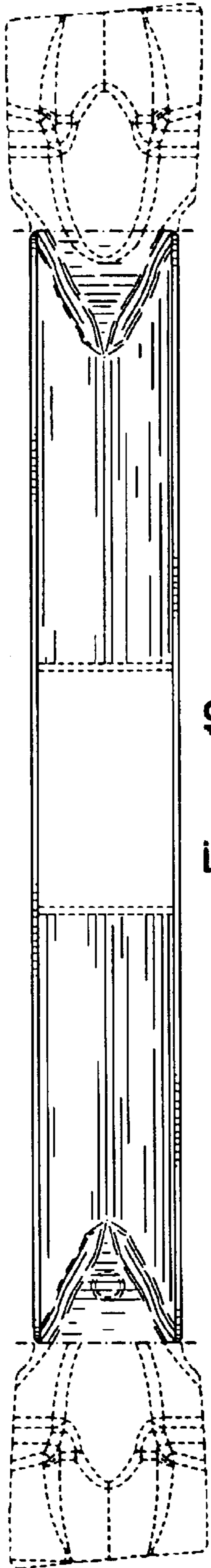


Figure 10

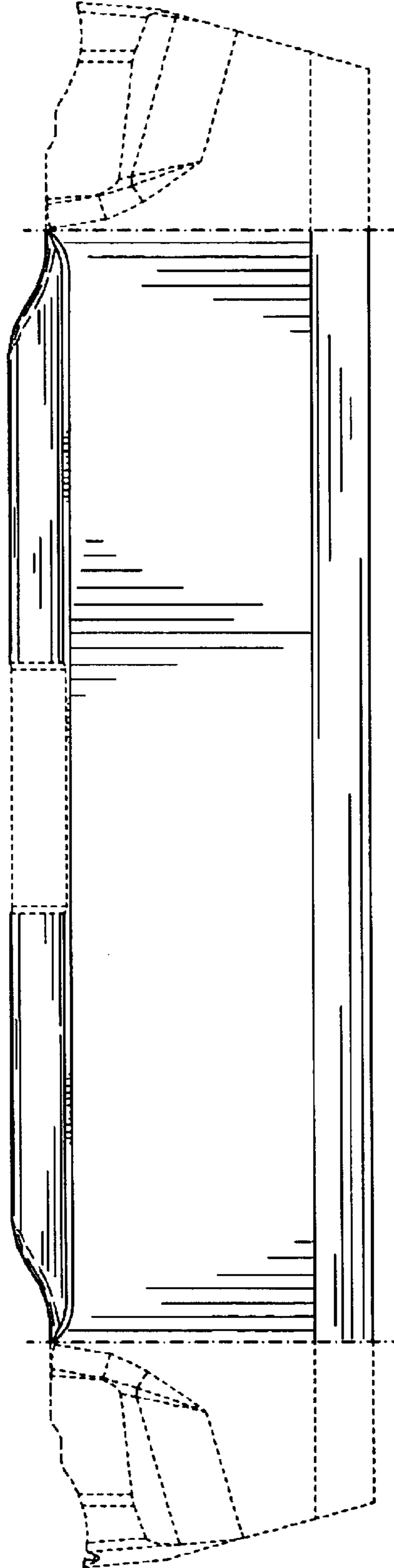


Figure 11

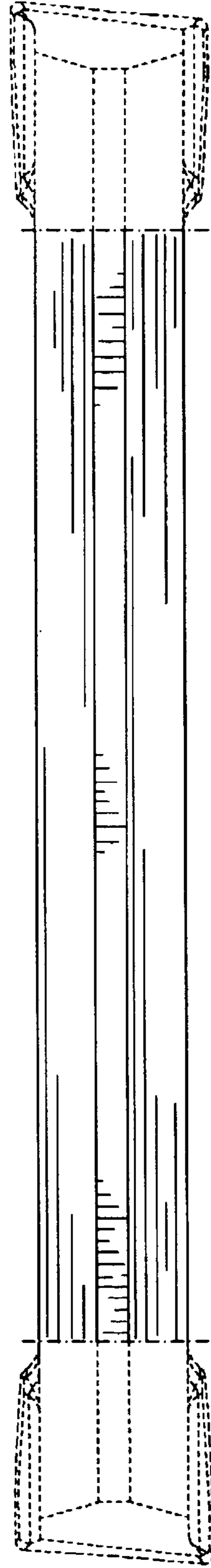


Figure 12