

US00D502471S

(12) **United States Design Patent**
Yuen

(10) **Patent No.: US D502,471 S**
(45) **Date of Patent: ** Mar. 1, 2005**

(54) **MINI SIZE SOLID STATE REFRIGERATOR**

(74) *Attorney, Agent, or Firm—Alix, Yale & Ristas, LLP*

(75) **Inventor: John Se Kit Yuen, Kowloon (CN)**

(57) **CLAIM**

(73) **Assignee: John Manufacturing Limited, Kowloon (HK)**

The ornamental design for a mini size solid state refrigerator, as shown and described.

(**) **Term: 14 Years**

DESCRIPTION

(21) **Appl. No.: 29/186,420**

FIG. 1 is a front view of the mini size solid state refrigerator showing my new design;

(22) **Filed: Jul. 15, 2003**

FIG. 2 is a rear view of the mini size solid state refrigerator of FIG. 1;

(30) **Foreign Application Priority Data**

Jan. 17, 2003 (GB) 3010153

FIG. 3 is a top plan view of the mini size solid state refrigerator of FIG. 1;

(51) **LOC (7) Cl. 15-07**

FIG. 4 is a bottom plan view of the mini size solid state refrigerator of FIG. 1;

(52) **U.S. Cl. D15/81**

FIG. 5 is a left side view of the mini size solid state refrigerator of FIG. 1;

(58) **Field of Search** D15/79-91; 62/293, 62/339, 373, 440, 441, 457; 312/116, 138.1, 139.1, 139.2, 236, 348.6, 401, 405

FIG. 6 is a right side view of the mini size solid state refrigerator of FIG. 1;

(56) **References Cited**

U.S. PATENT DOCUMENTS

D481,741 S * 11/2003 Yuen D15/81

FIG. 7 is a frontal perspective view from above of the mini size solid state refrigerator of FIG. 1;

D486,467 S * 2/2004 Yuen D14/168

FIG. 8 is a rear perspective view from below of the mini size solid state refrigerator of FIG. 1;

D491,959 S * 6/2004 Yuen D15/83

FIG. 9 is a frontal perspective view from above of the mini size solid state refrigerator of FIG. 1 with a handle in an alternative position; and,

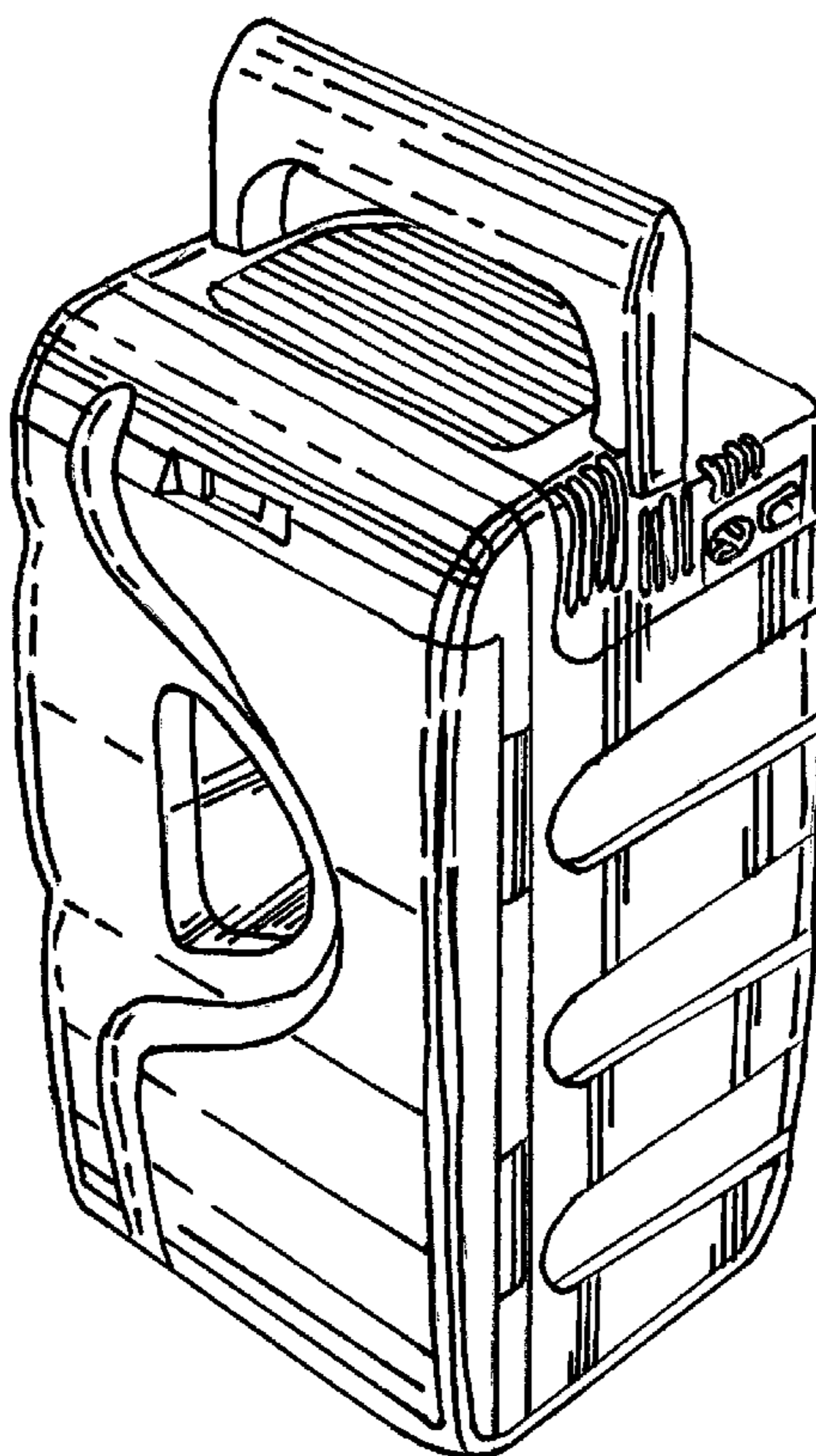
D494,606 S * 8/2004 Krieger et al. D15/81

FIG. 10 is a frontal perspective view from above of the mini size solid state refrigerator of FIG. 1 with a door open.

* cited by examiner

Primary Examiner—Mitchell Siegel

1 Claim, 4 Drawing Sheets



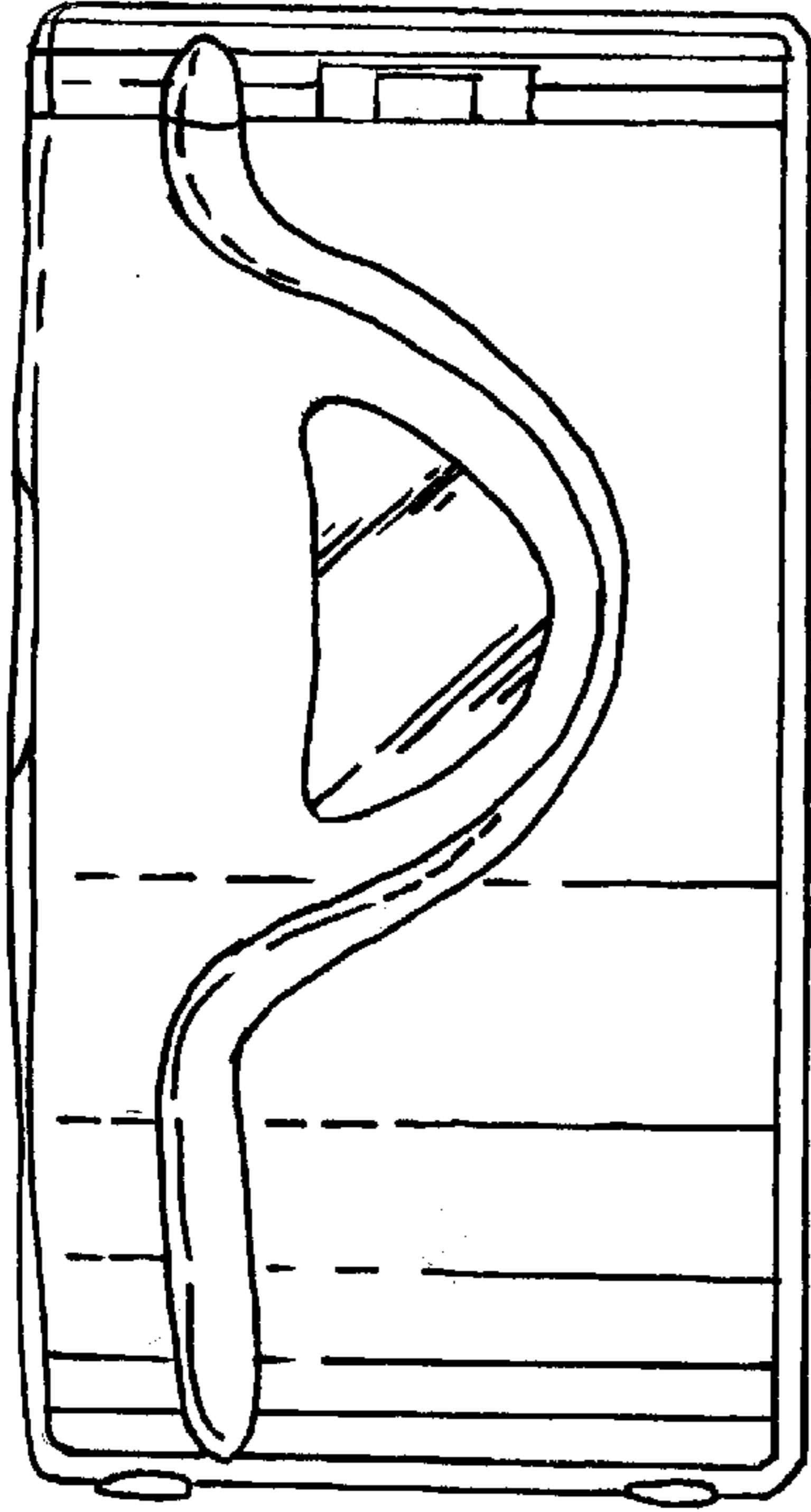


Figure 1

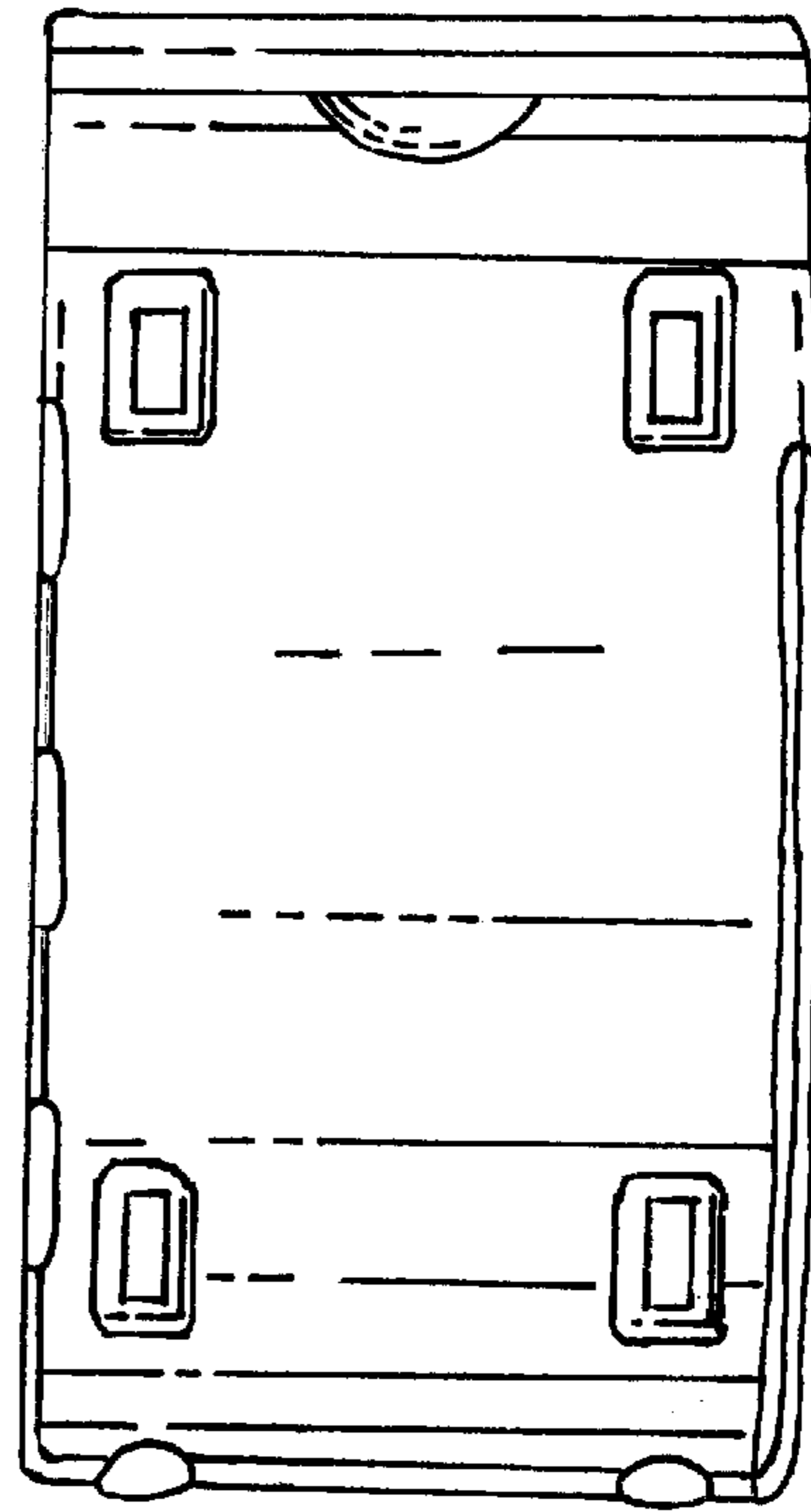


Figure 2

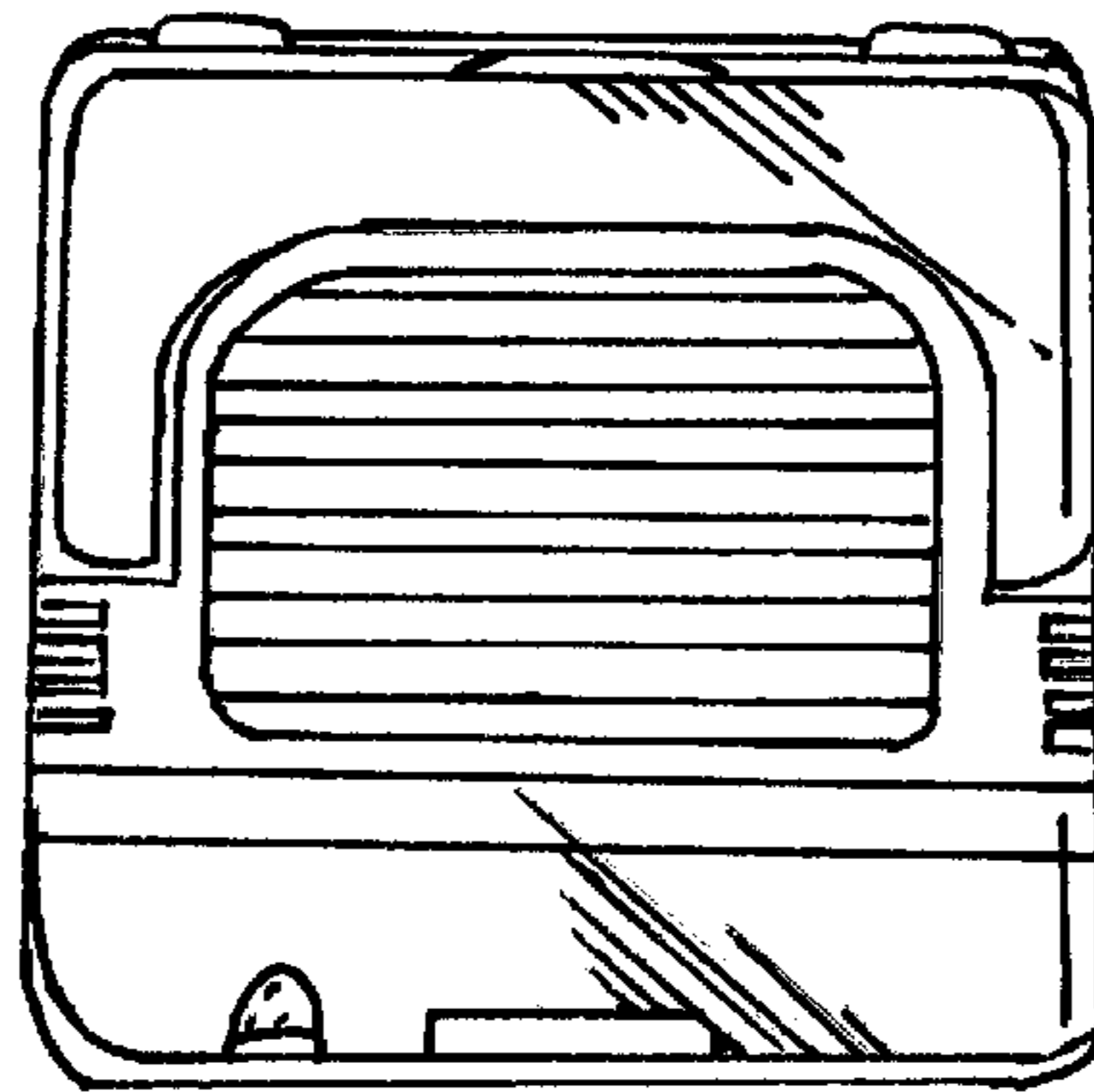


Figure 3

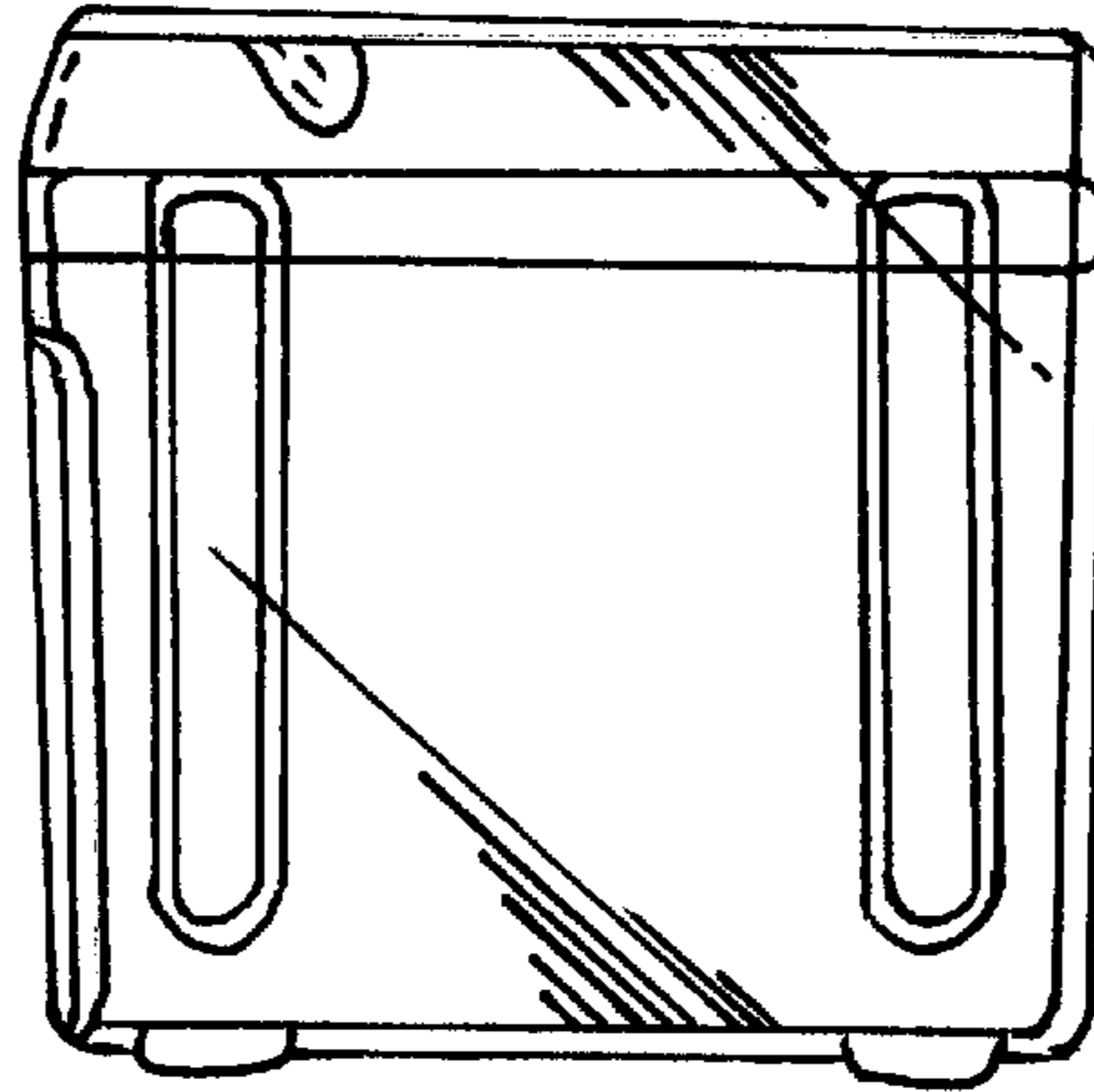


Figure 4

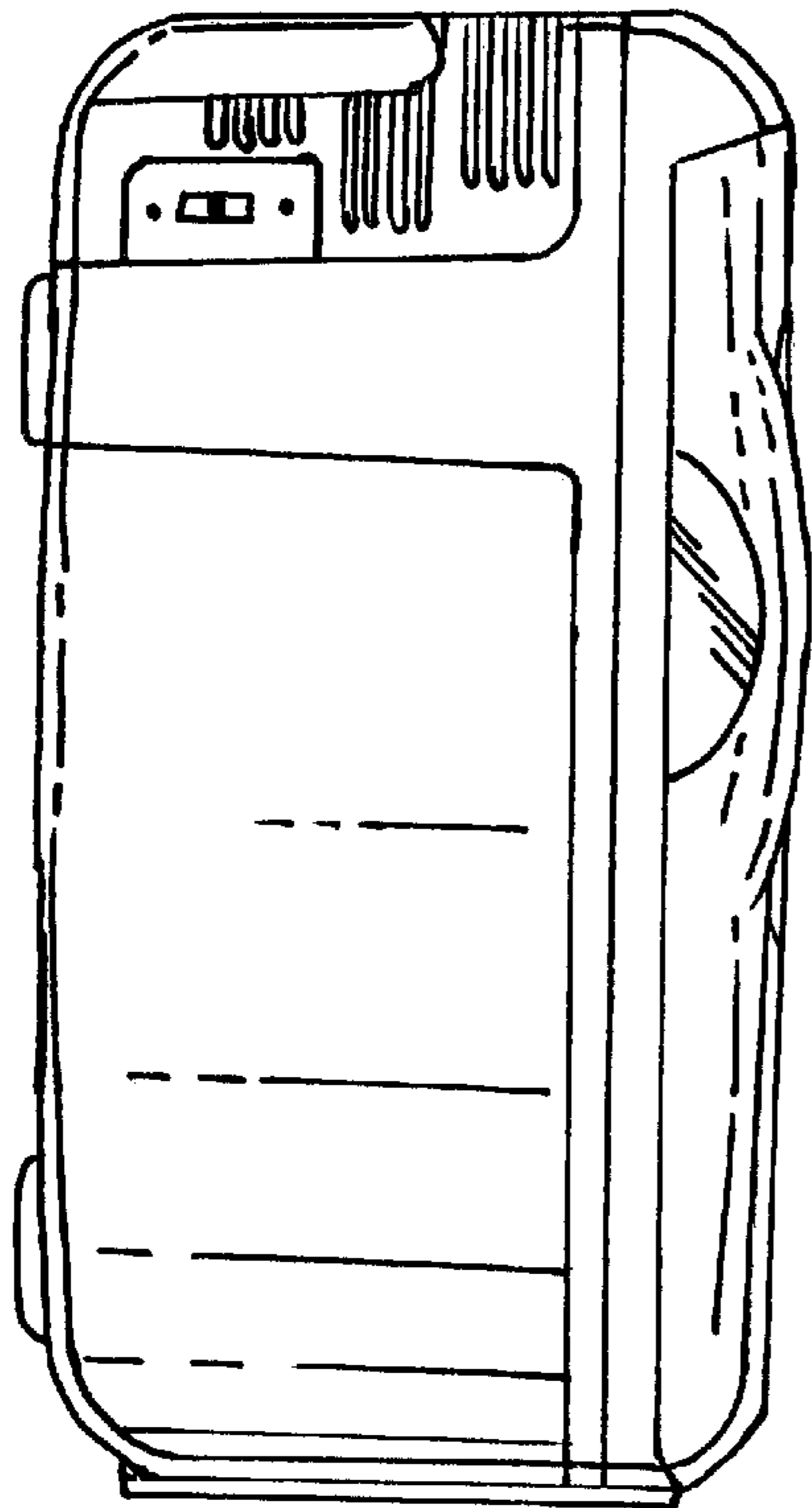


Figure 5

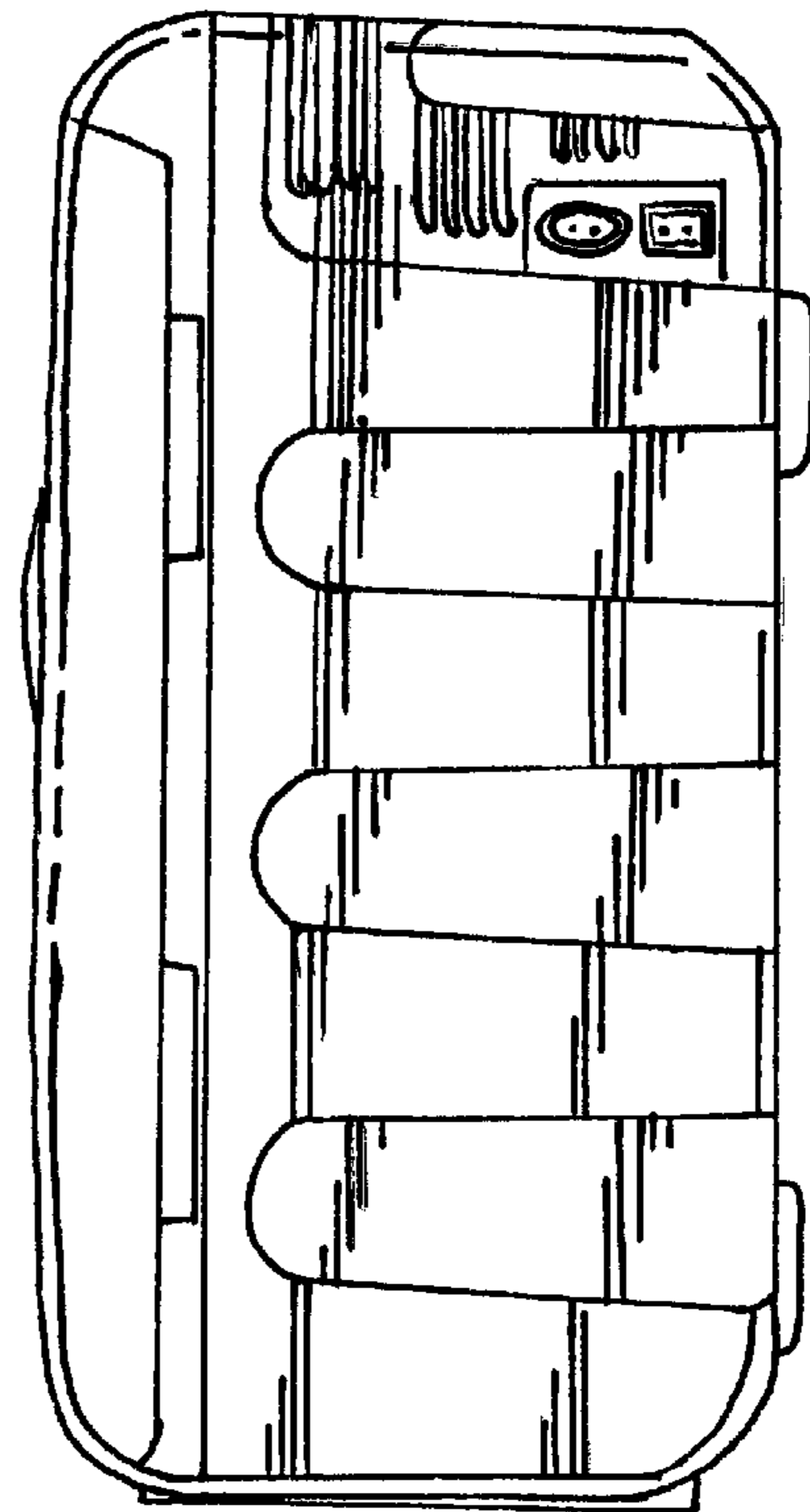


Figure 6

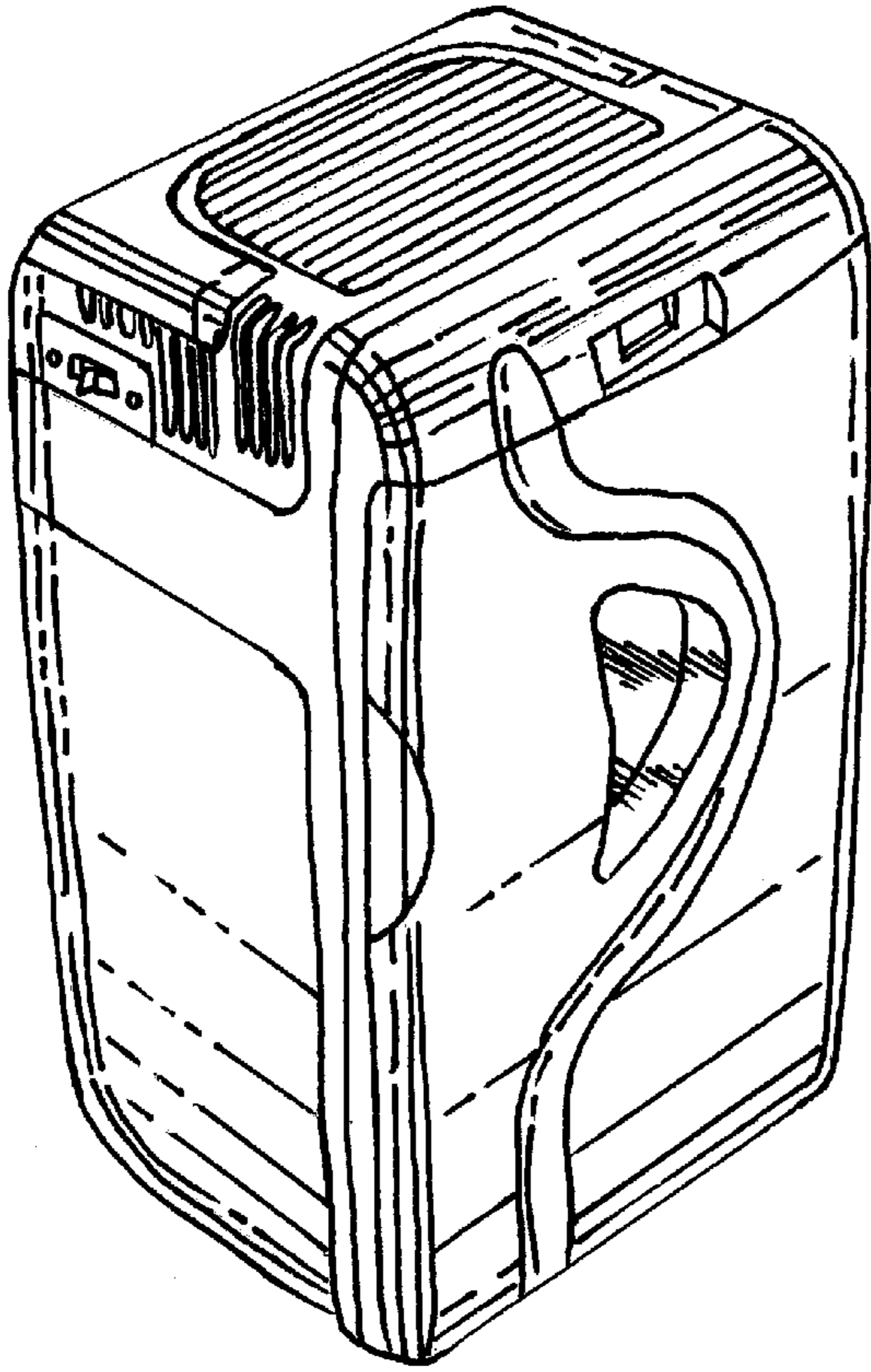


Figure 7

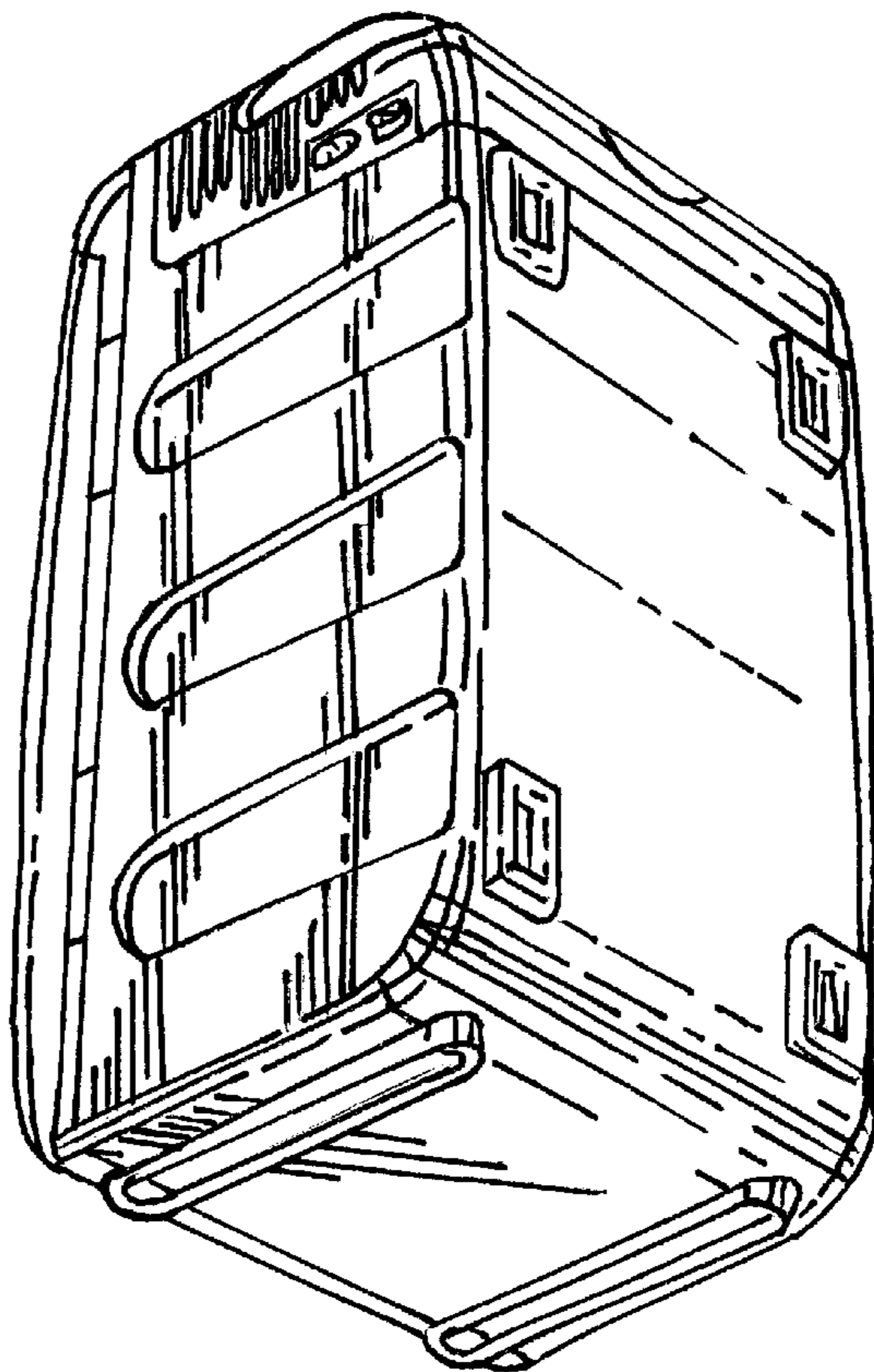


Figure 8

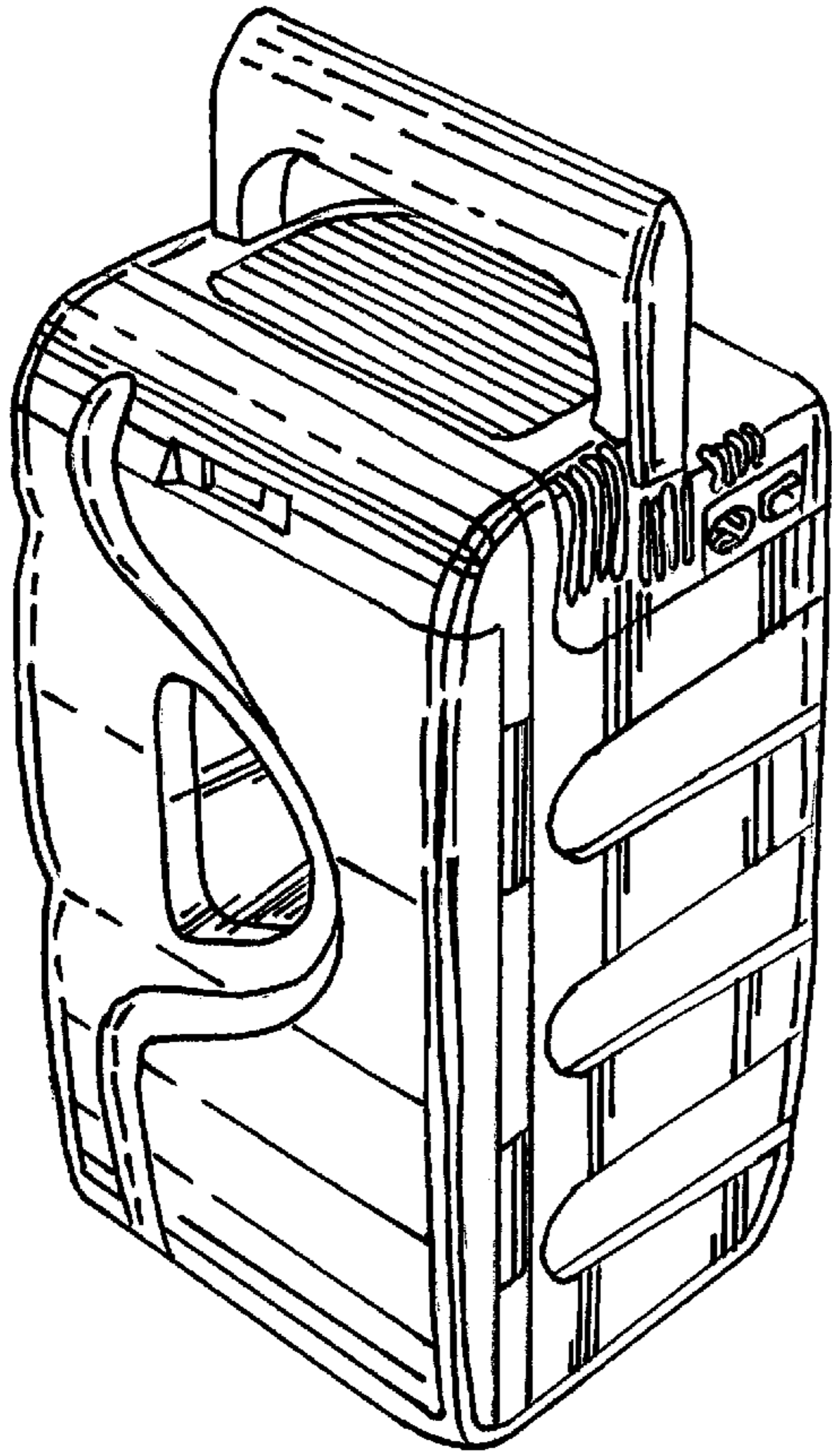


Figure 9

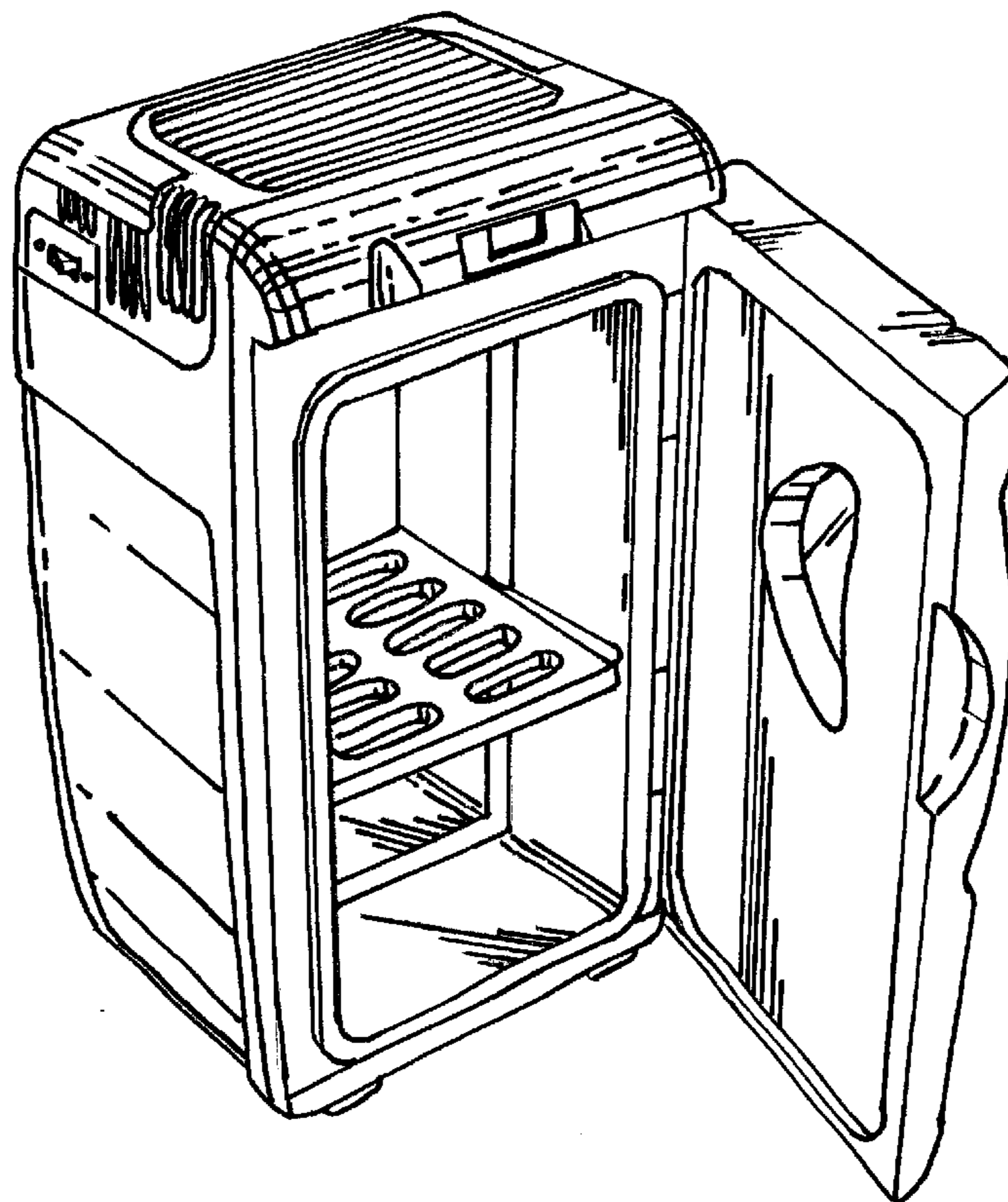


Figure 10