

US00D502470S

(12) **United States Design Patent**
McCormick

(10) **Patent No.: US D502,470 S**
(45) **Date of Patent: ** Mar. 1, 2005**

(54) **SILT FENCE INSTALLING MACHINE**

2002/0192029 A1 * 12/2002 Vreeland 405/116

(76) Inventor: **Christopher D. McCormick**, 185 Hwy.
92, Pleasantville, IA (US) 50225

OTHER PUBLICATIONS

Photos of silt fence machine sold by Gary Harms d/b/
aUniversal Welding of Wellsburg, IA at least as early as Aug.
1, 2002.

(**) Term: **14 Years**

* cited by examiner

(21) Appl. No.: **29/197,603**

Primary Examiner—Mitchell Siegel

(22) Filed: **Jan. 17, 2004**

(74) *Attorney, Agent, or Firm*—Allan L. Harms

(51) **LOC (7) Cl. 15-03**

(52) **U.S. Cl. D15/10**

(58) **Field of Search** D15/10, 21.28;
37/367, 370, 380, 404, 468; 405/38, 270,
302.6, 116, 302.7

(57) **CLAIM**

I claim the ornamental design for a silt fence installing
machine, as shown and described.

(56) **References Cited**

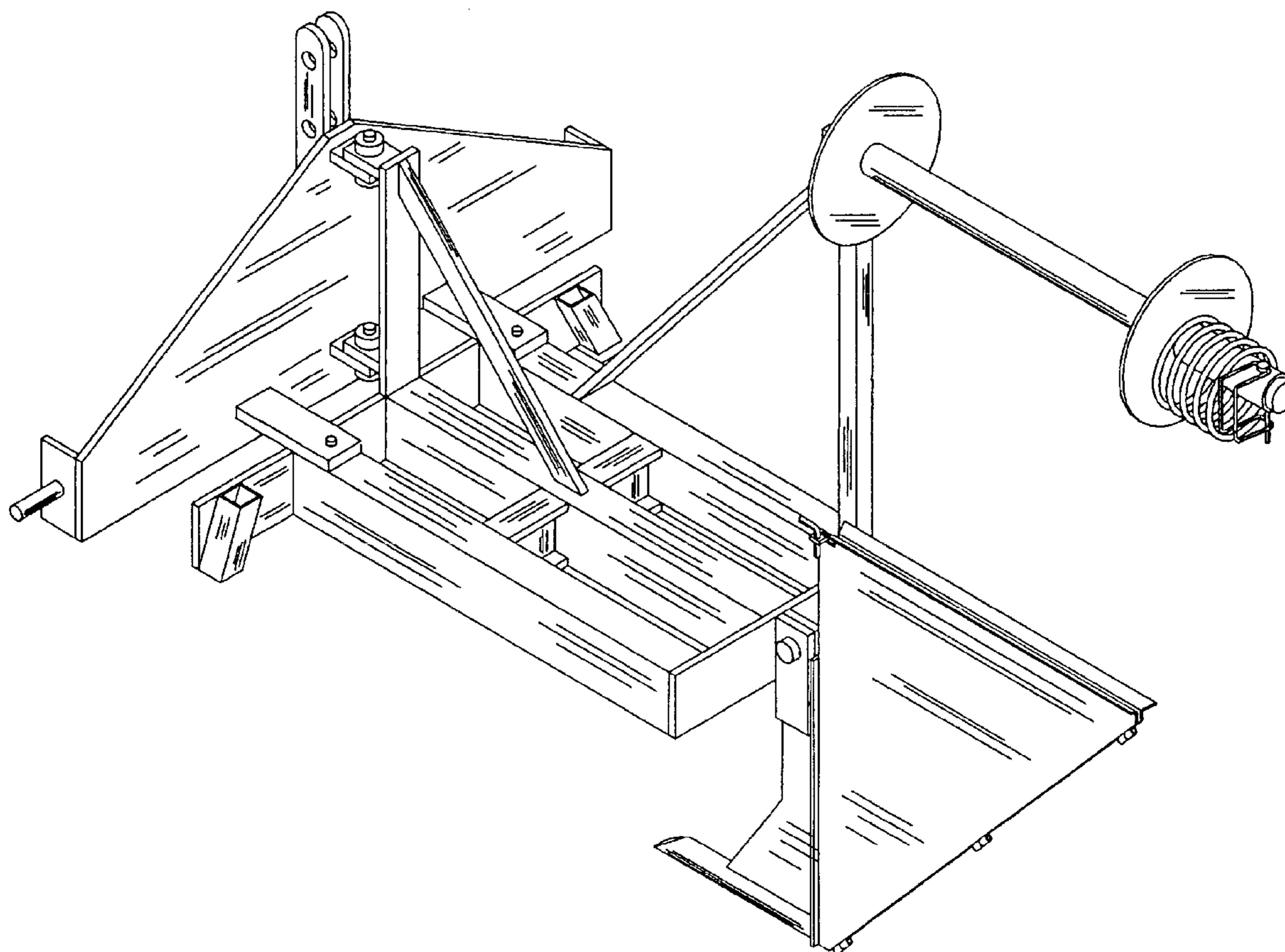
DESCRIPTION

U.S. PATENT DOCUMENTS

3,182,459	A	5/1965	Grether et al.	
5,615,499	A *	4/1997	McGuire et al.	37/367
5,915,878	A *	6/1999	Carpenter	405/38
5,943,798	A *	8/1999	McGuire et al.	37/367
6,053,665	A *	4/2000	Richardson	405/302.6
6,158,923	A *	12/2000	Wheeler et al.	405/116
6,398,459	B1 *	6/2002	Vreeland	405/302.6
6,517,294	B2 *	2/2003	Vreeland	405/302.7
6,796,747	B1 *	9/2004	Vreeland	405/302.7

FIG. 1 is a left rear perspective view of a silt fence installing
machine showing my new design;
FIG. 2 is a front elevation thereof;
FIG. 3 is a rear elevation thereof;
FIG. 4 is a front end view thereof;
FIG. 5 is a rear end view thereof;
FIG. 6 is a top view thereof; and,
FIG. 7 is a bottom view thereof.

1 Claim, 7 Drawing Sheets



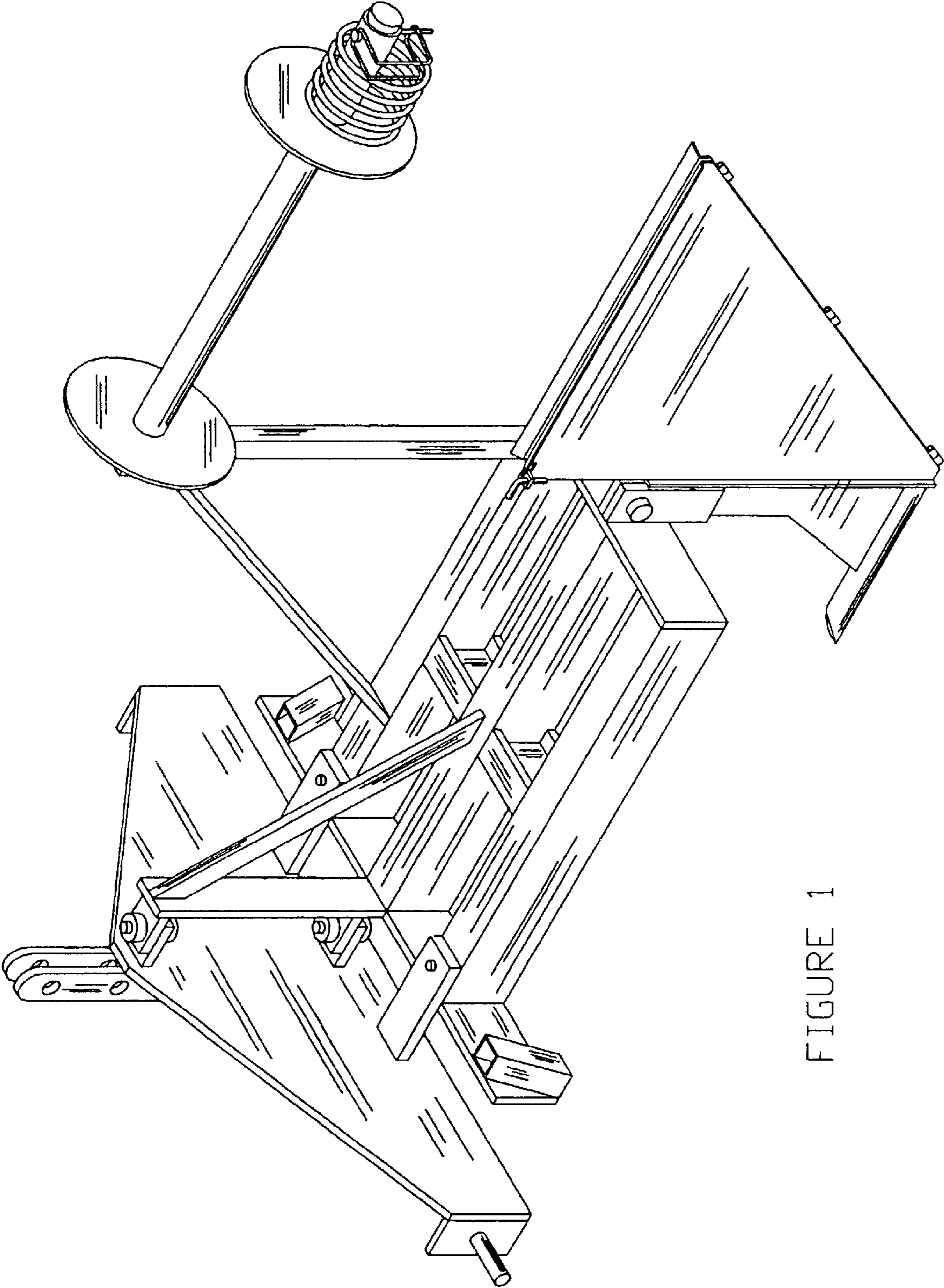


FIGURE 1

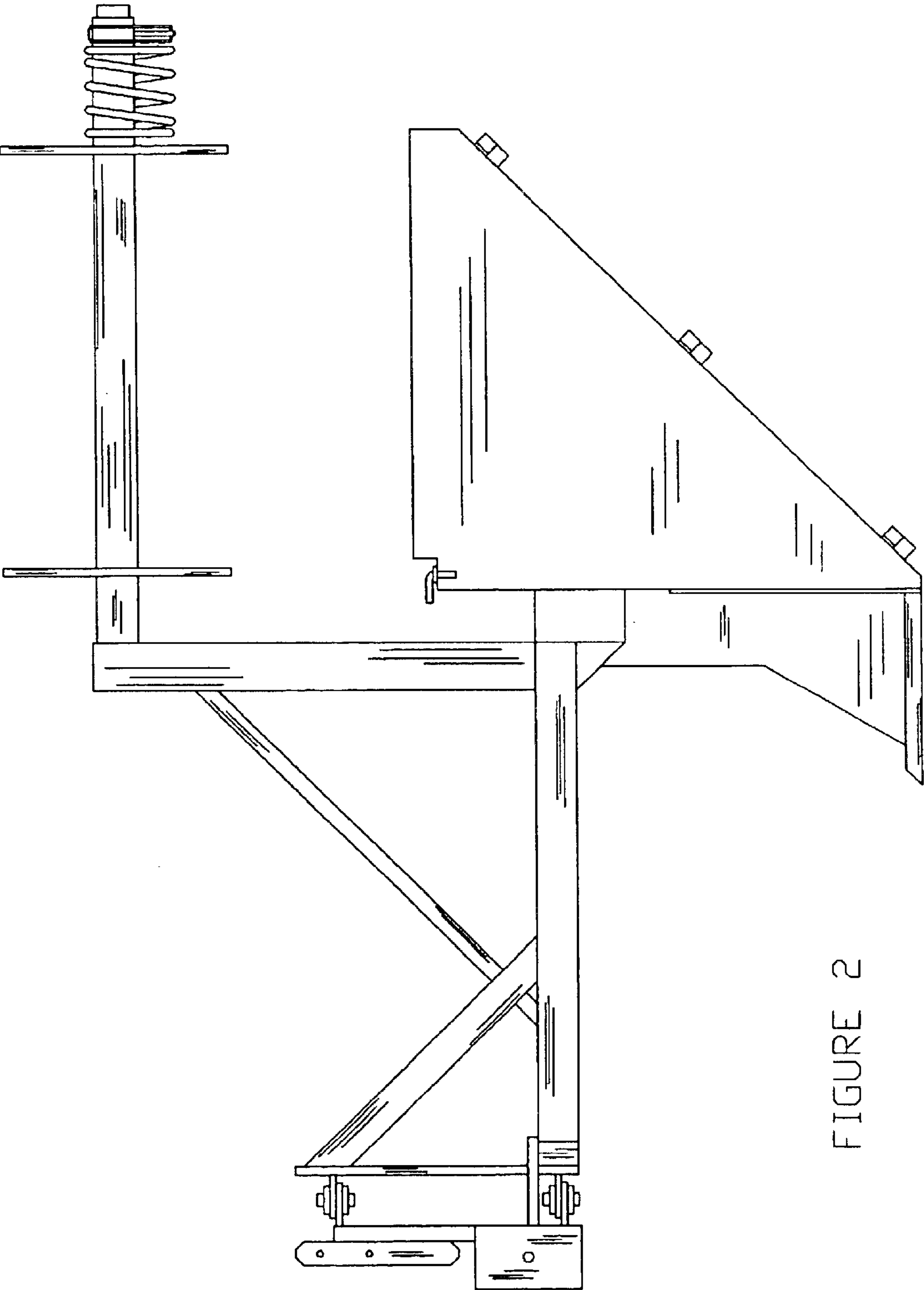


FIGURE 2

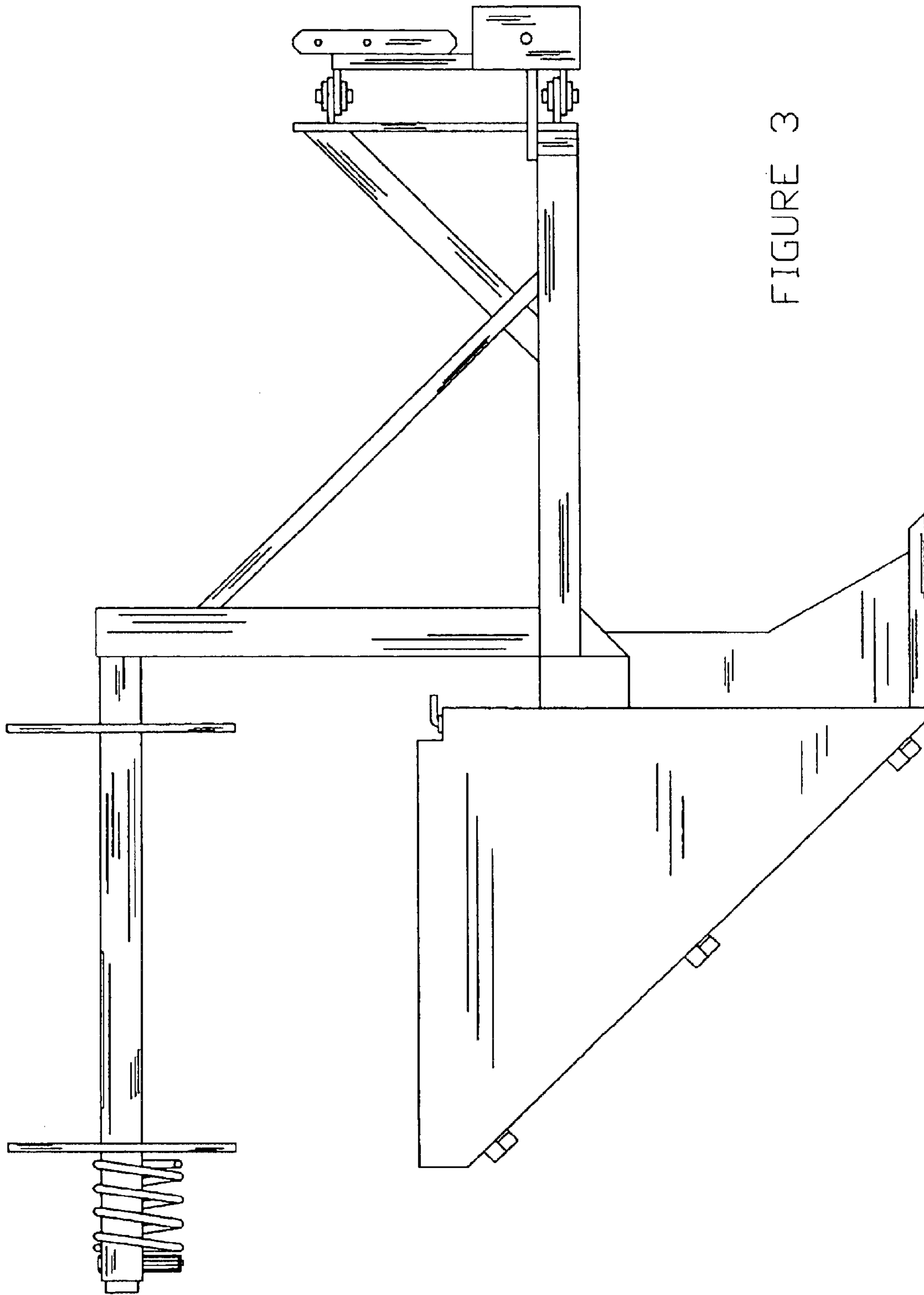


FIGURE 3

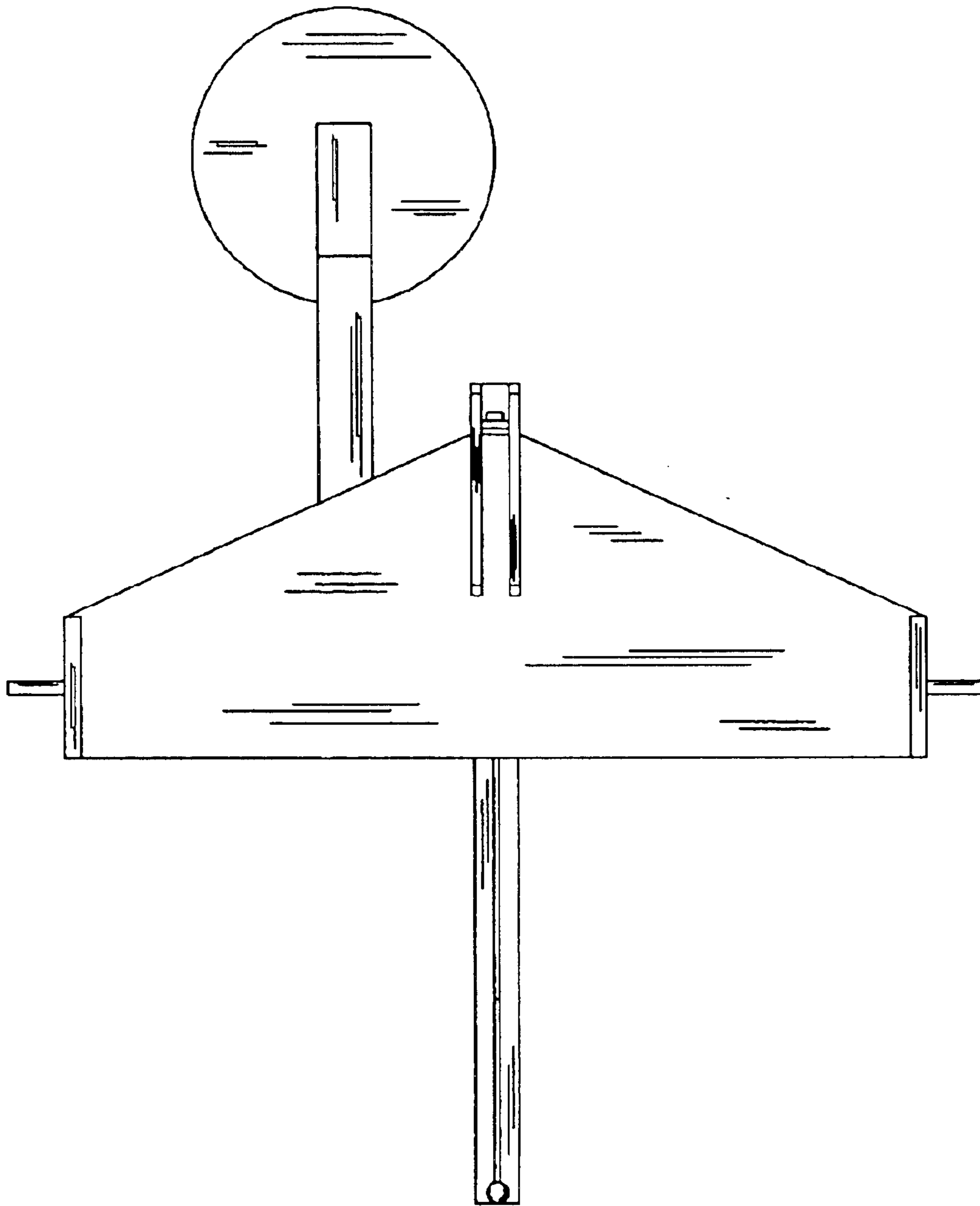


FIGURE 4

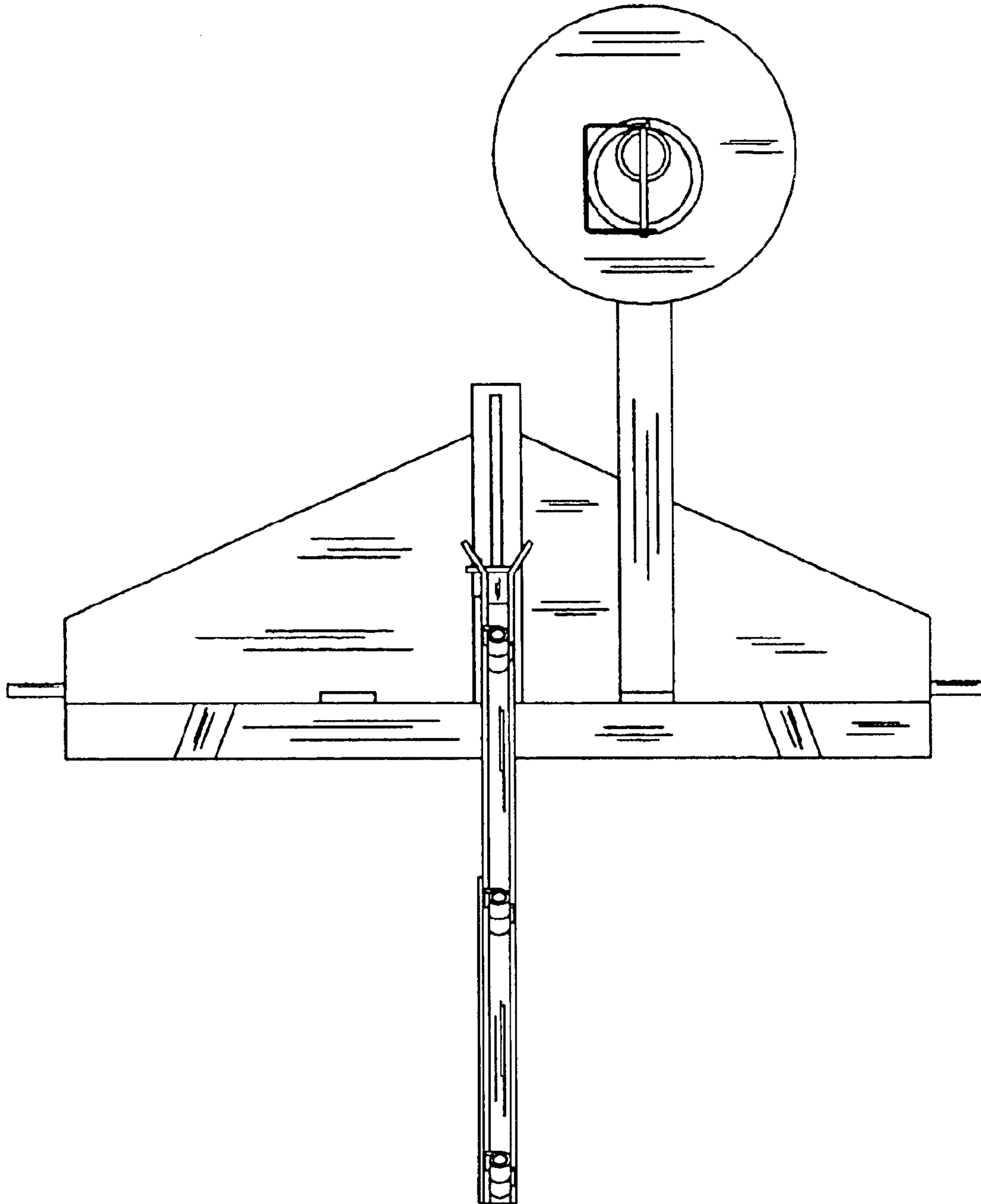


FIGURE 5

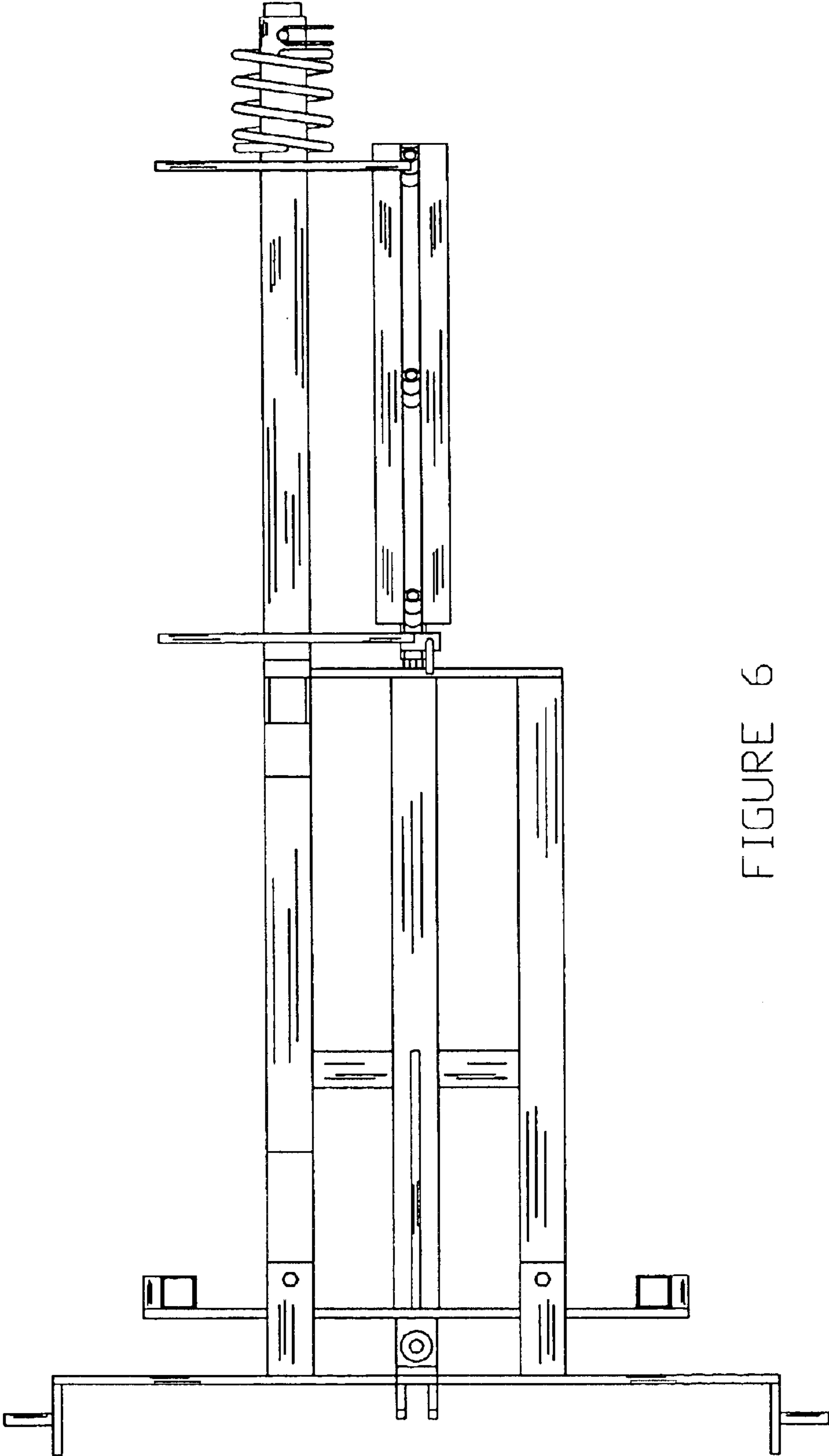


FIGURE 6

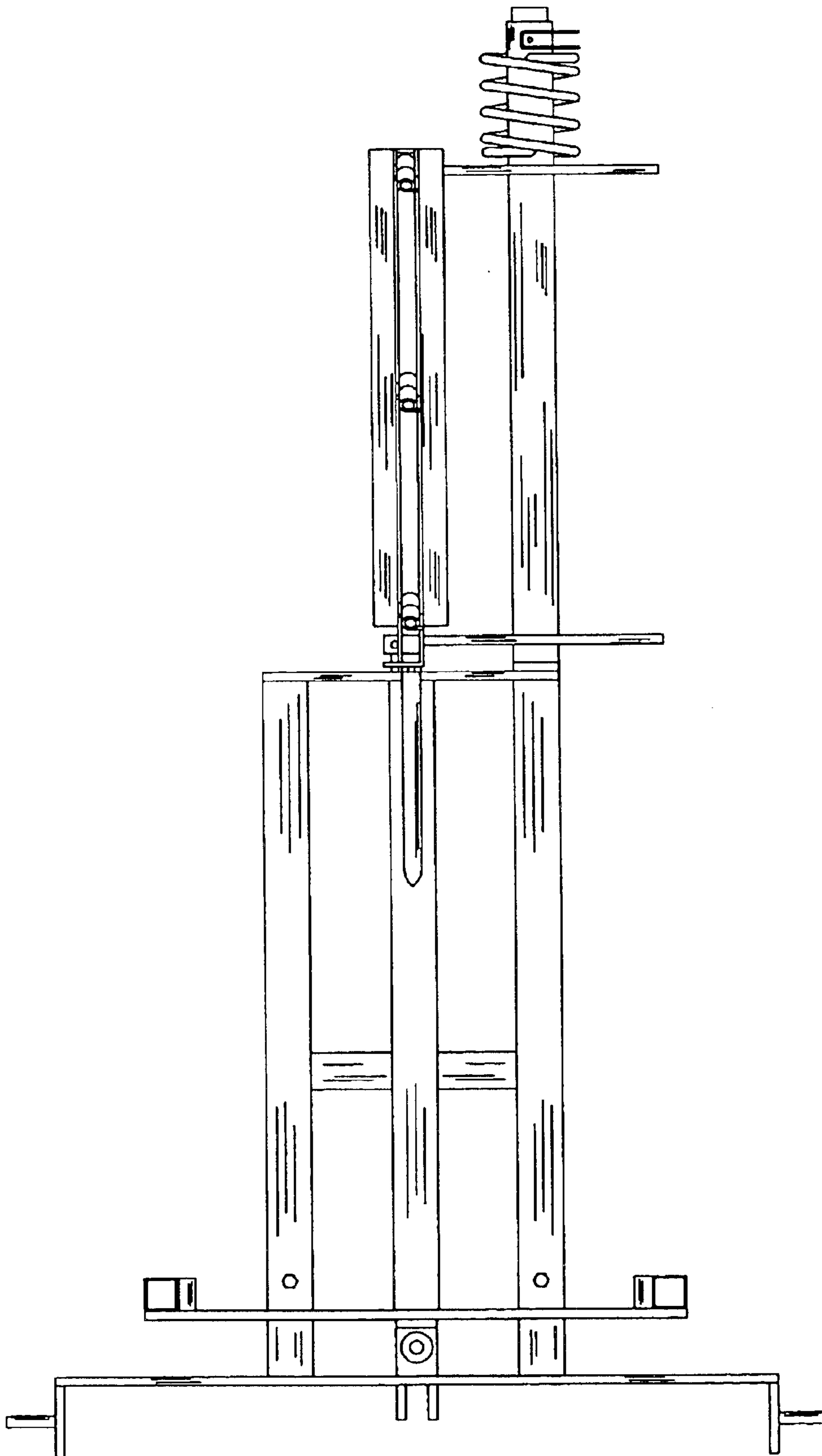


FIGURE 7