



US00D502465S

(12) **United States Design Patent**  
**Laity et al.**

(10) **Patent No.:** **US D502,465 S**  
(45) **Date of Patent:** **\*\* Mar. 1, 2005**

(54) **COMMUNICATIONS MODULE**

D452,496 S \* 12/2001 Murnaghan et al. .... D14/242  
D452,863 S 1/2002 Madsen et al.  
D458,935 S \* 6/2002 Hiroki ..... D14/436

(75) Inventors: **Ian A. Laity**, Simi Valley, CA (US);  
**Michael R. Smither**, Castaic, CA (US)

\* cited by examiner

(73) Assignee: **Intel Corporation**, Santa Clara, CA (US)

*Primary Examiner*—Pamela Burgess  
(74) *Attorney, Agent, or Firm*—Blakely, Sokoloff, Taylor & Zafman, LLP

(\*\*) Term: **14 Years**

(57) **CLAIM**

(21) Appl. No.: **29/169,201**

The ornamental design for a communications module, as shown and described.

(22) Filed: **Oct. 15, 2002**

**Related U.S. Application Data**

**DESCRIPTION**

(60) Division of application No. 29/128,484, filed on Aug. 25, 2000, which is a continuation-in-part of application No. 29/085,265, filed on Mar. 19, 1998, now Pat. No. Des. 432,540.

FIG. 1 is a top, front, left side perspective view of the communications module;  
FIG. 2 is a top, rear, left side perspective view of the communications module;  
FIG. 3 is bottom, front, right side perspective view of the communications module;  
FIG. 4 is bottom, rear, right side perspective view of the communications module;  
FIG. 5 is a top plan view of the communications module;  
FIG. 6 is a front elevation view of the communications module;  
FIG. 7 is a rear elevation view of the communications module;  
FIG. 8 is a right side elevation view of the communications module; and,  
FIG. 9 is a left side elevation view of the communications module.

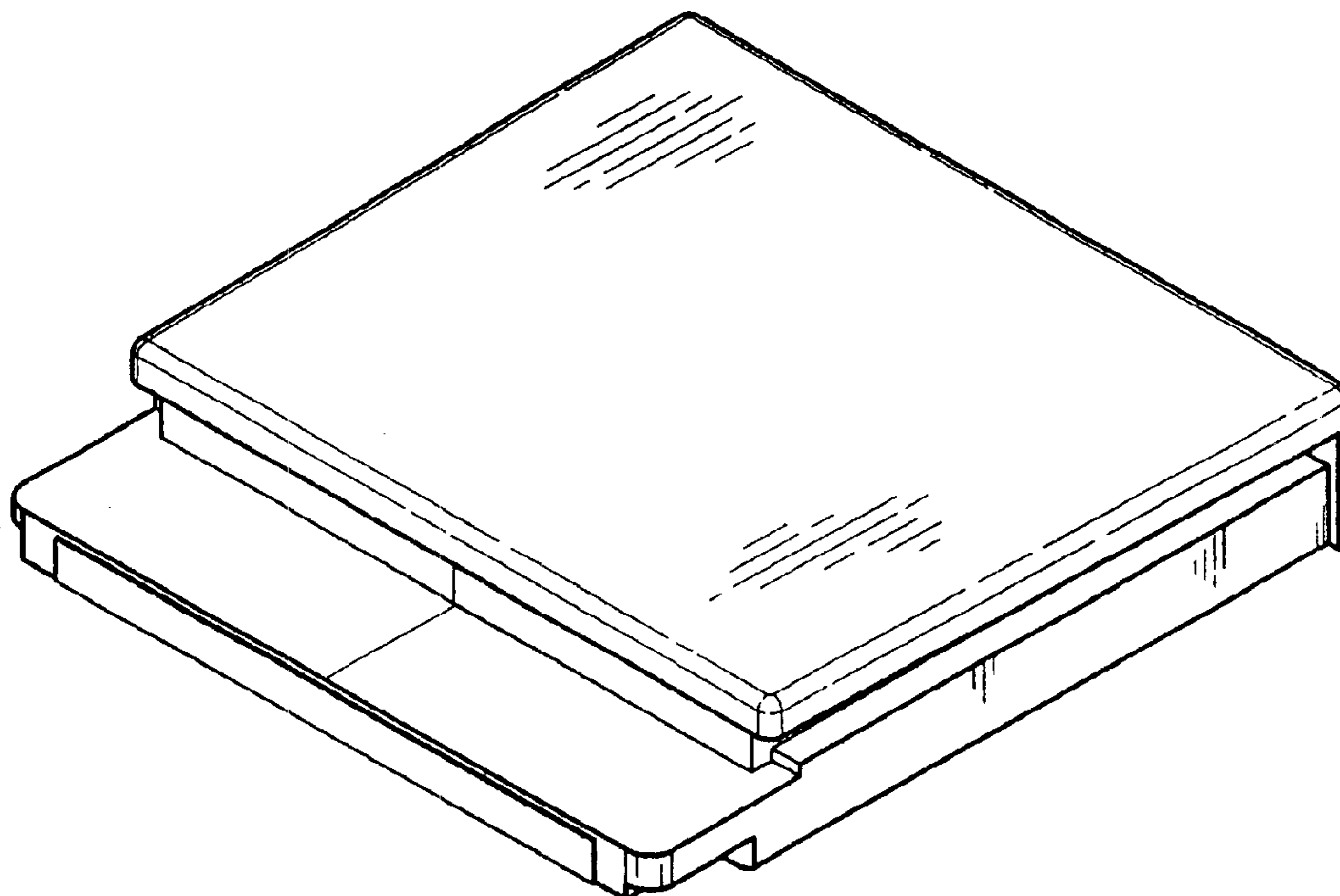
(51) **LOC (7) Cl.** ..... **14-03**  
(52) **U.S. Cl.** ..... **D14/242; D14/436**  
(58) **Field of Search** ..... D14/433, 435, D14/242, 358, 436, 432; D13/147, 146, 184, 218; 379/419-420, 440, 446, 406; 455/550-575; 361/600, 622, 724-728; 375/220-225

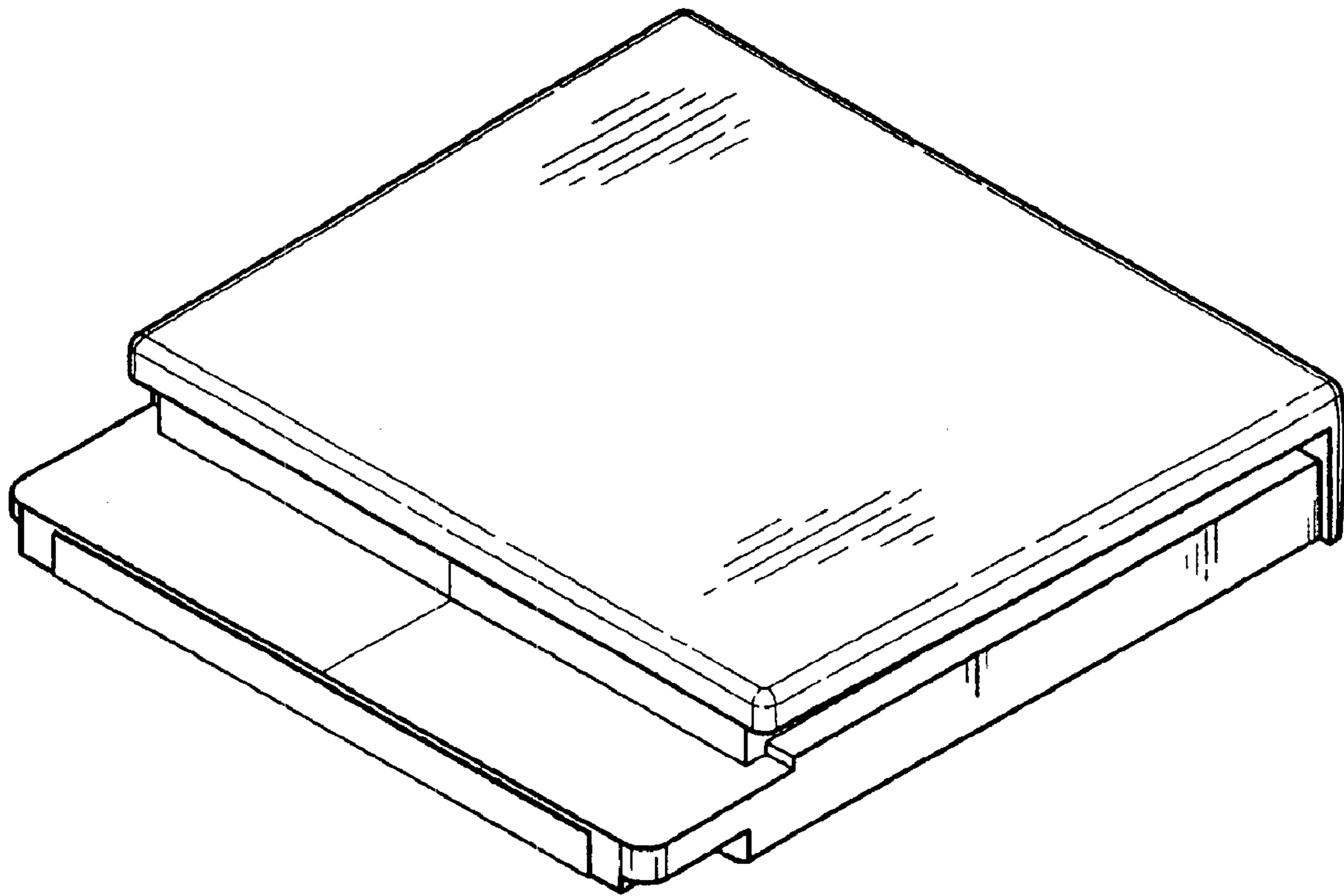
(56) **References Cited**

**U.S. PATENT DOCUMENTS**

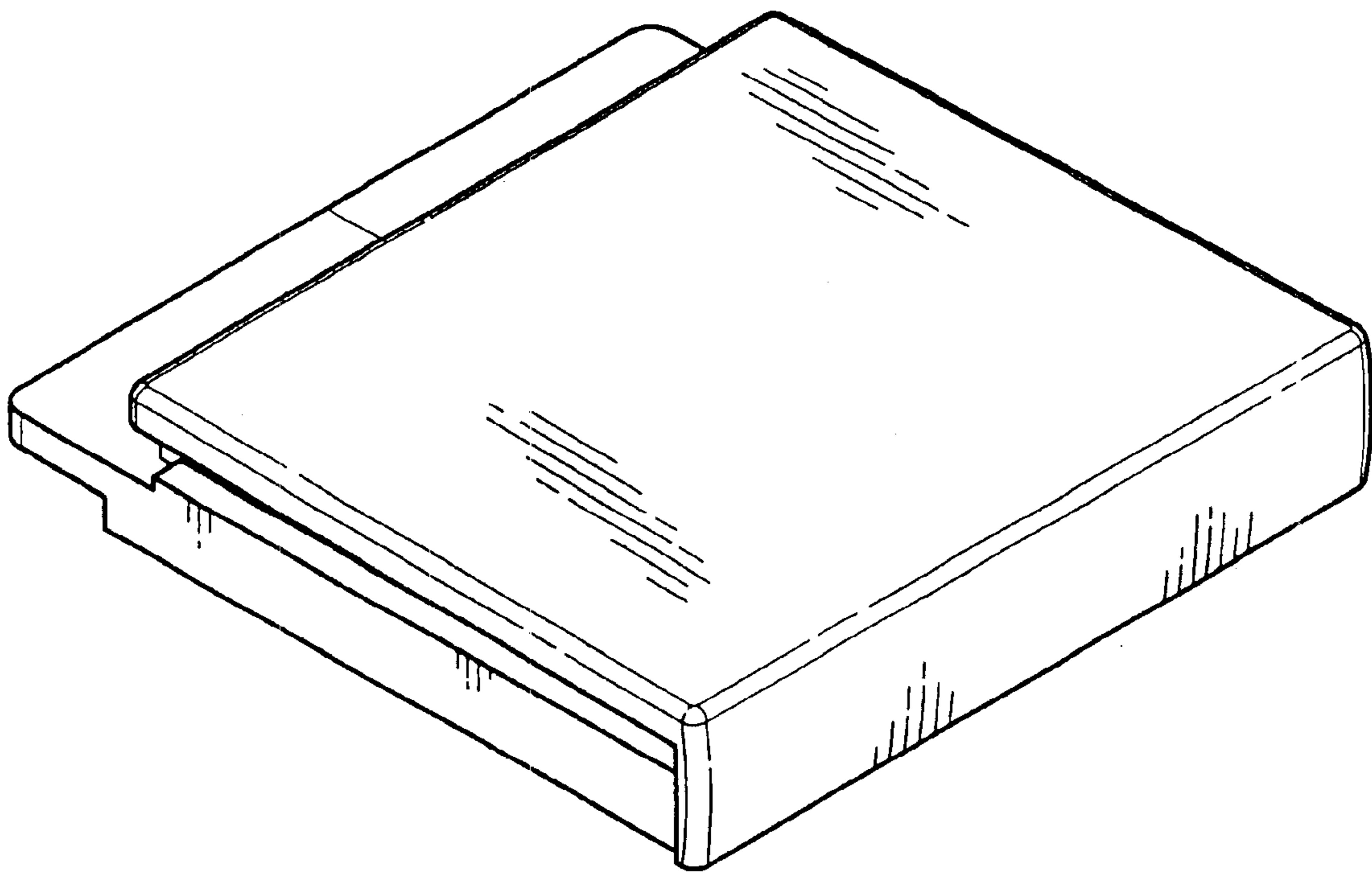
D366,463 S 1/1996 Ive et al.  
D370,904 S \* 6/1996 Nakata et al. .... D14/436  
D415,479 S 10/1999 Yang et al.  
D432,540 S \* 10/2000 Laity et al. .... D14/436  
D452,495 S \* 12/2001 Murnaghan et al. .... D14/242

**1 Claim, 9 Drawing Sheets**

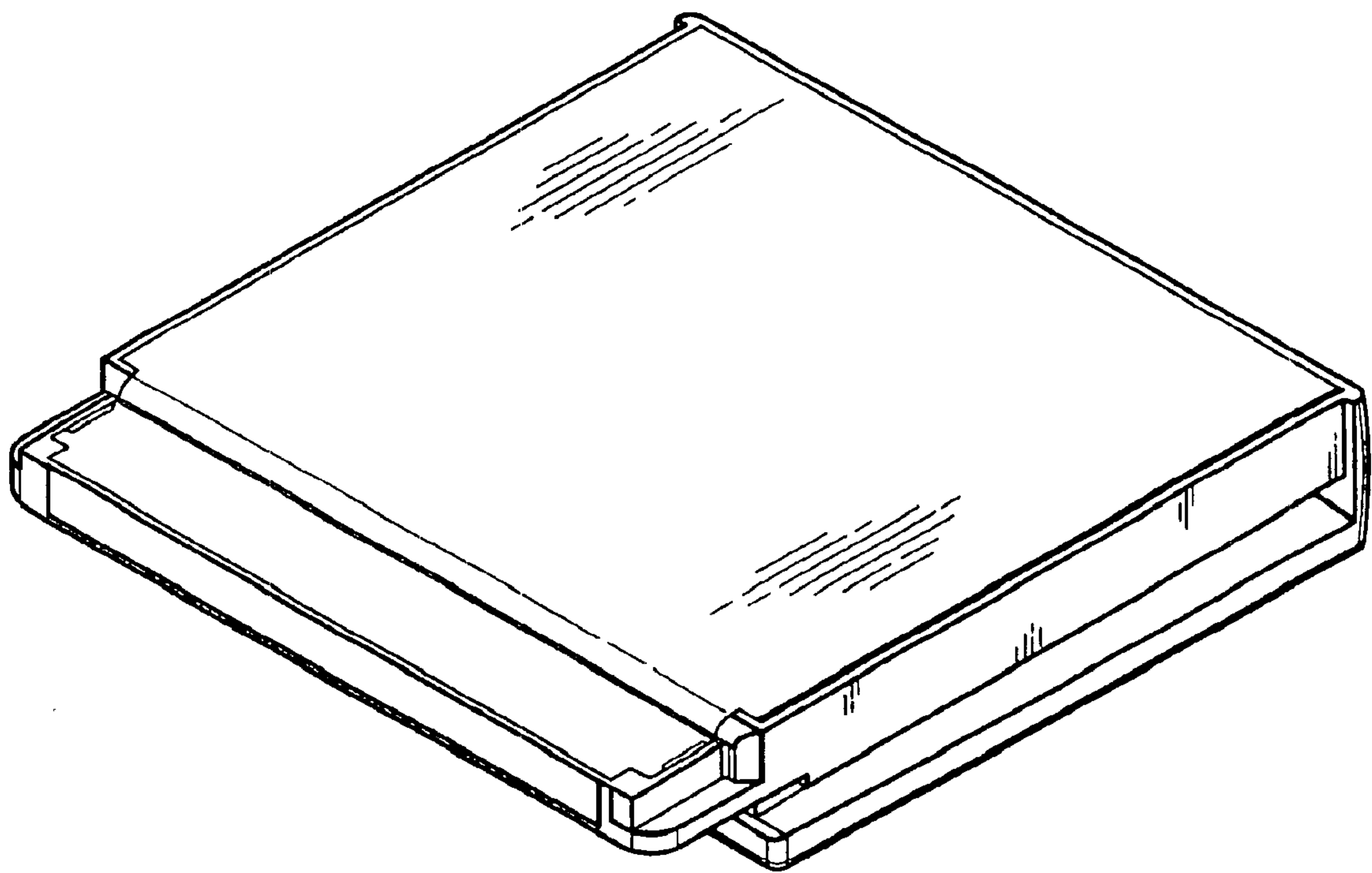




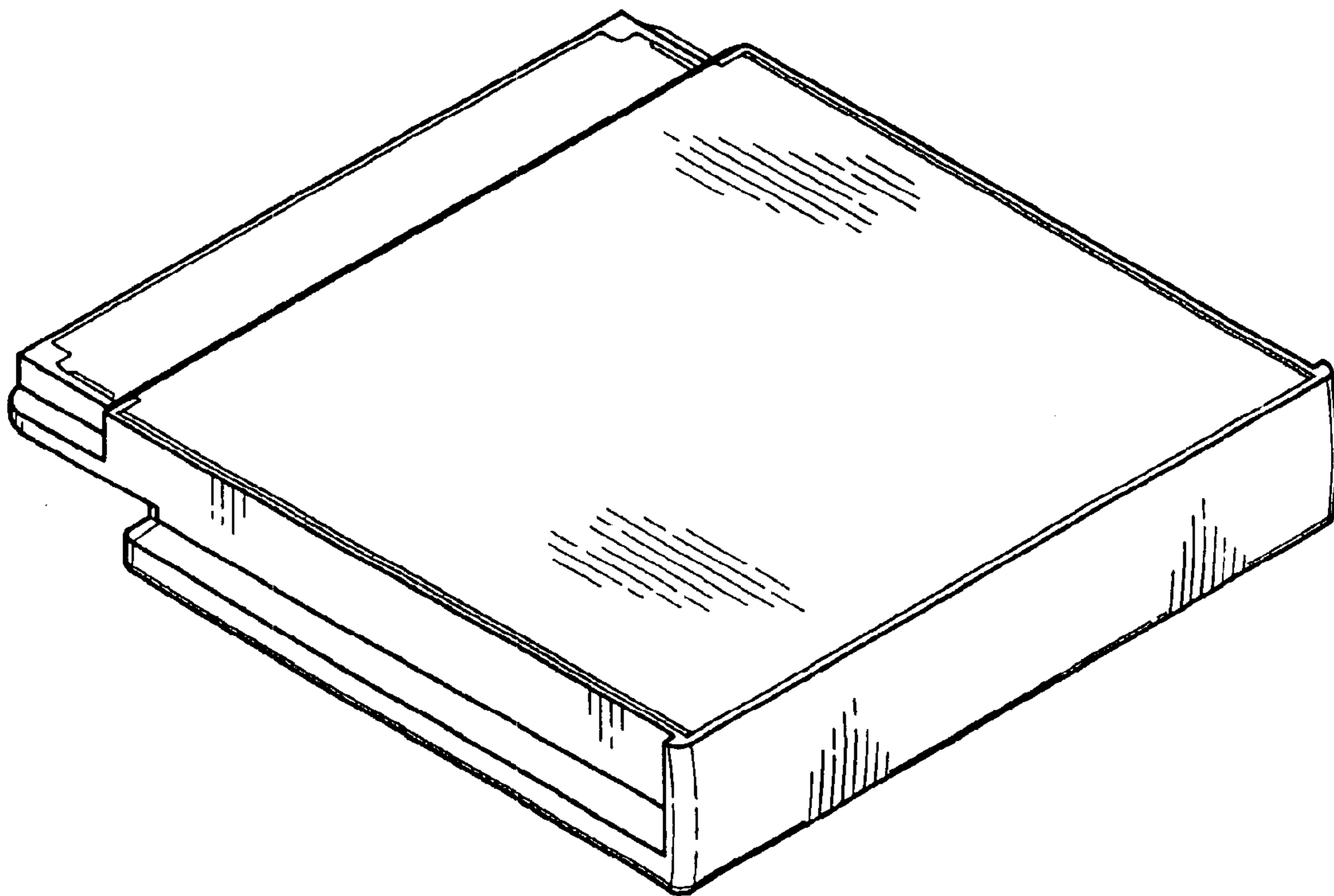
**FIG. 1**



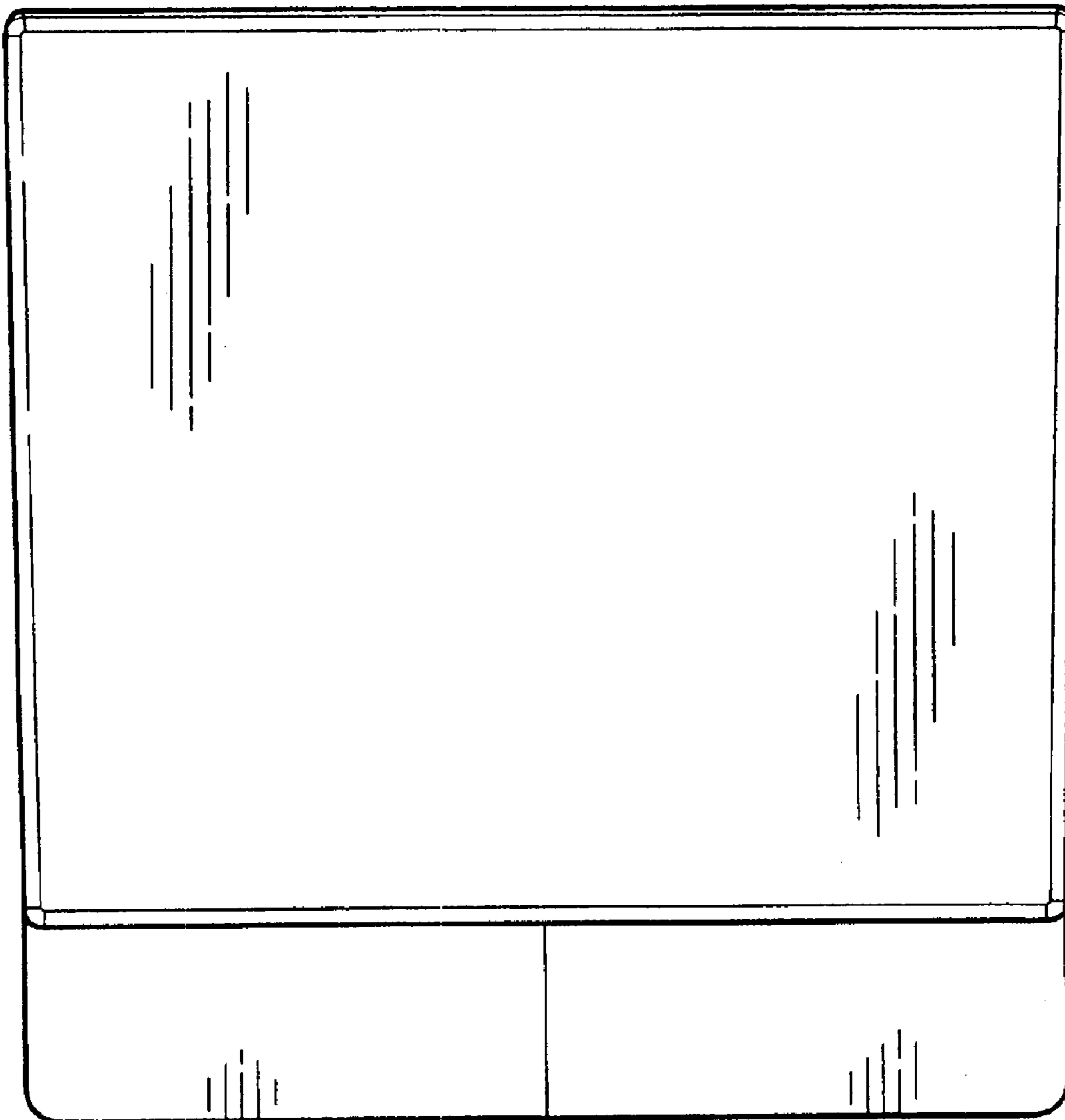
**FIG. 2**



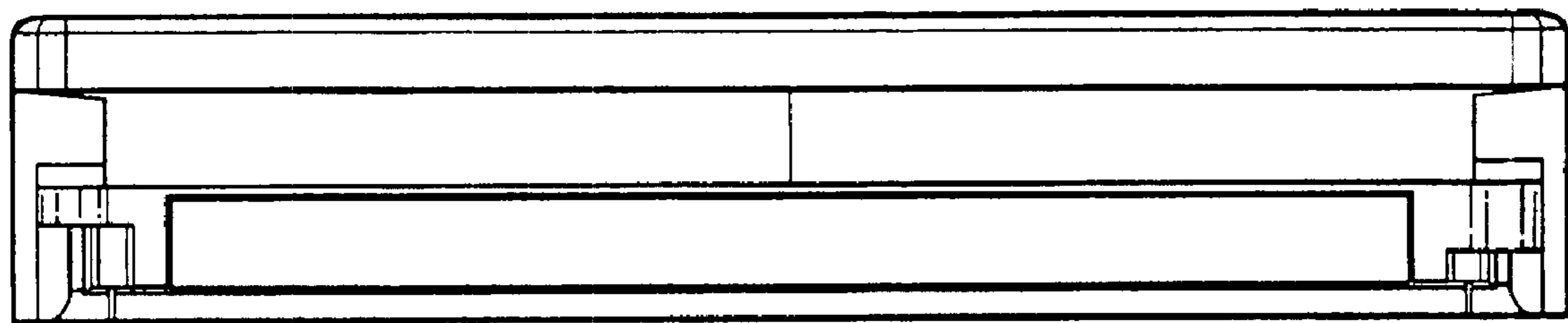
**FIG. 3**



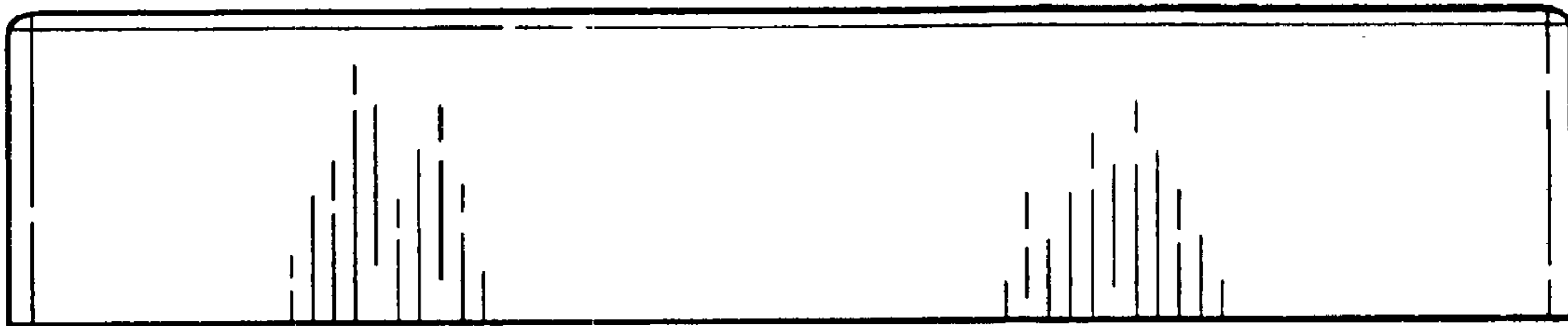
**FIG. 4**



**FIG. 5**

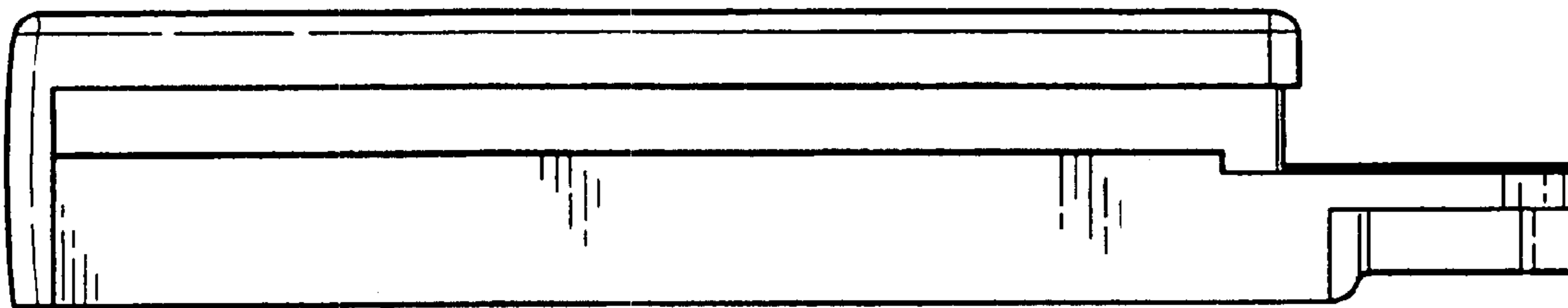


**FIG. 6**

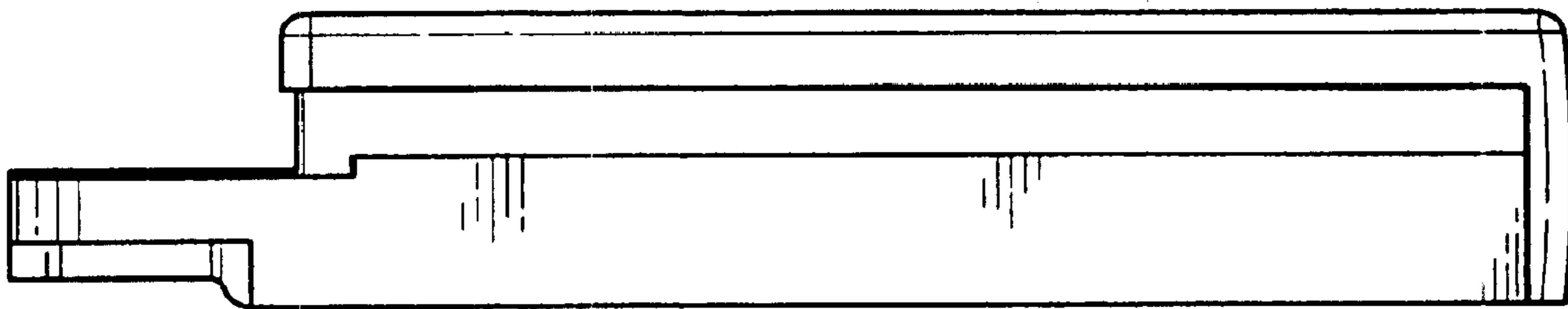


**FIG. 7**





**FIG. 8**



**FIG. 9**