

US00D502462S

(12) **United States Design Patent**
Silverstein

(10) **Patent No.:** **US D502,462 S**

(45) **Date of Patent:** **** Mar. 1, 2005**

(54) **MUSIC SYSTEM PEDESTAL**

(75) **Inventor:** **Steven A. Silverstein**, Marlborough,
MA (US)

(73) **Assignee:** **Bose Corporation**, Framingham, MA
(US)

(**) **Term:** **14 Years**

(21) **Appl. No.:** **29/175,939**

(22) **Filed:** **Feb. 13, 2003**

(51) **LOC (7) Cl.** **14-03**

(52) **U.S. Cl.** **D14/188**

(58) **Field of Search** D14/188, 189,
D14/168-171, 193-198; D10/2, 15; 455/344-351;
369/6, 7, 12, 75.1

(56) **References Cited**

U.S. PATENT DOCUMENTS

2,510,103 A	*	6/1950	Griffin	455/348
2,519,292 A	*	8/1950	Schaefer	369/12
3,496,297 A	*	2/1970	Brumberger	381/118
4,940,414 A	*	7/1990	Lee	439/131
D419,558 S	*	1/2000	Bhavnani	D14/194
6,049,290 A	*	4/2000	Halstead	340/7.63

D428,612 S	*	7/2000	Scorrano	D14/194
6,147,938 A	*	11/2000	Ogawa et al.	369/12
D443,602 S	*	6/2001	Scorrano	D14/194
D473,208 S	*	4/2003	Solland	D14/188
D473,209 S	*	4/2003	Solland	D14/188
D473,210 S	*	4/2003	Solland	D14/188

* cited by examiner

Primary Examiner—Prabhakar Deshmukh

(74) *Attorney, Agent, or Firm*—Fish & Richardson P.C.

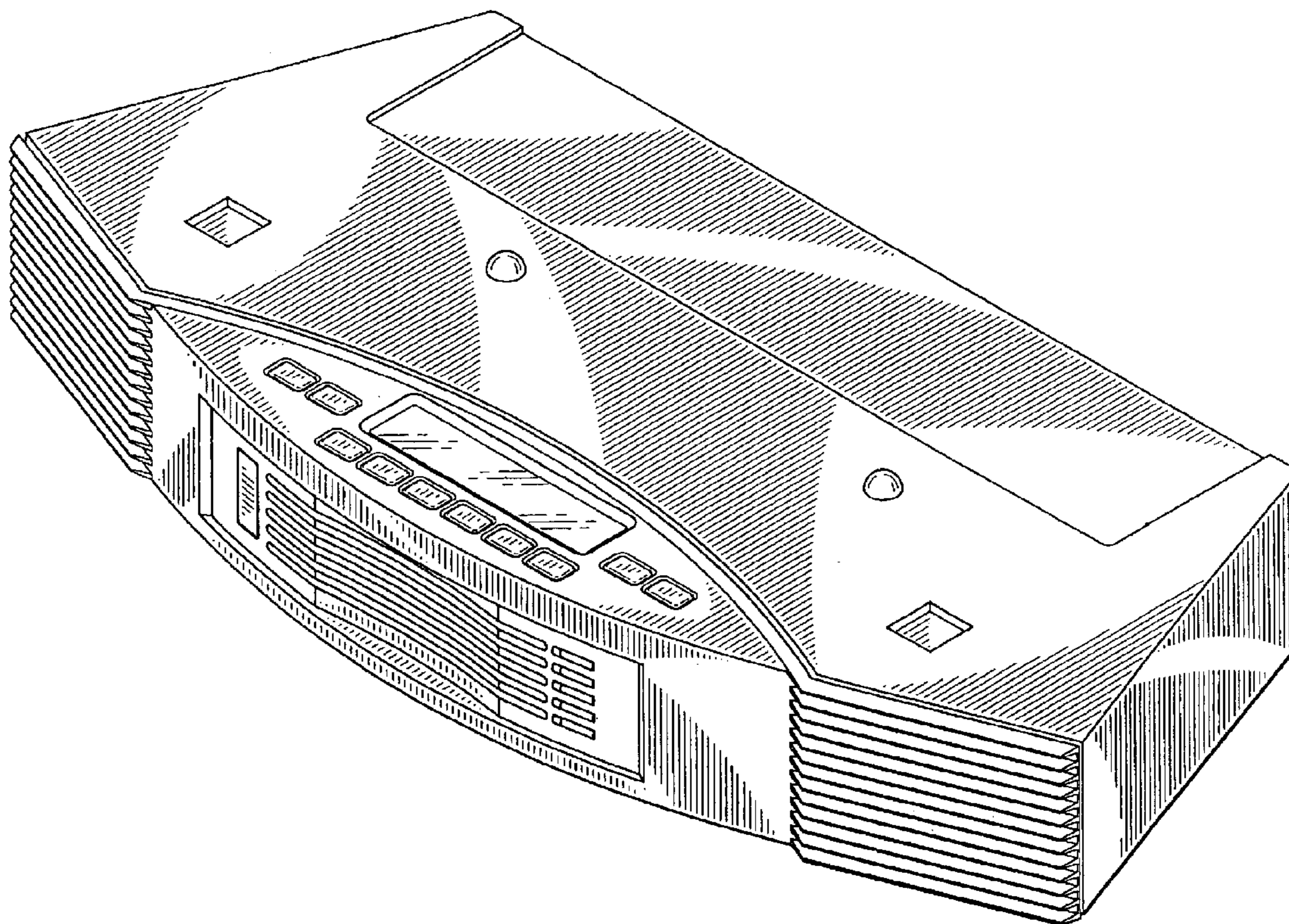
(57) **CLAIM**

The ornamental design for a music system pedestal, substantially as shown and described.

DESCRIPTION

FIG. 1 is a front perspective view of the music system pedestal;
 FIG. 2 is a rear perspective view of the music system pedestal;
 FIG. 3 is a front view of the music system pedestal;
 FIG. 4 is a top view of the music system pedestal;
 FIG. 5 is a bottom view of the music system pedestal;
 FIG. 6 is a rear view of the music system pedestal;
 FIG. 7 is a right side view of the music system pedestal; and,
 FIG. 8 is a left side view of the music system pedestal.

1 Claim, 7 Drawing Sheets



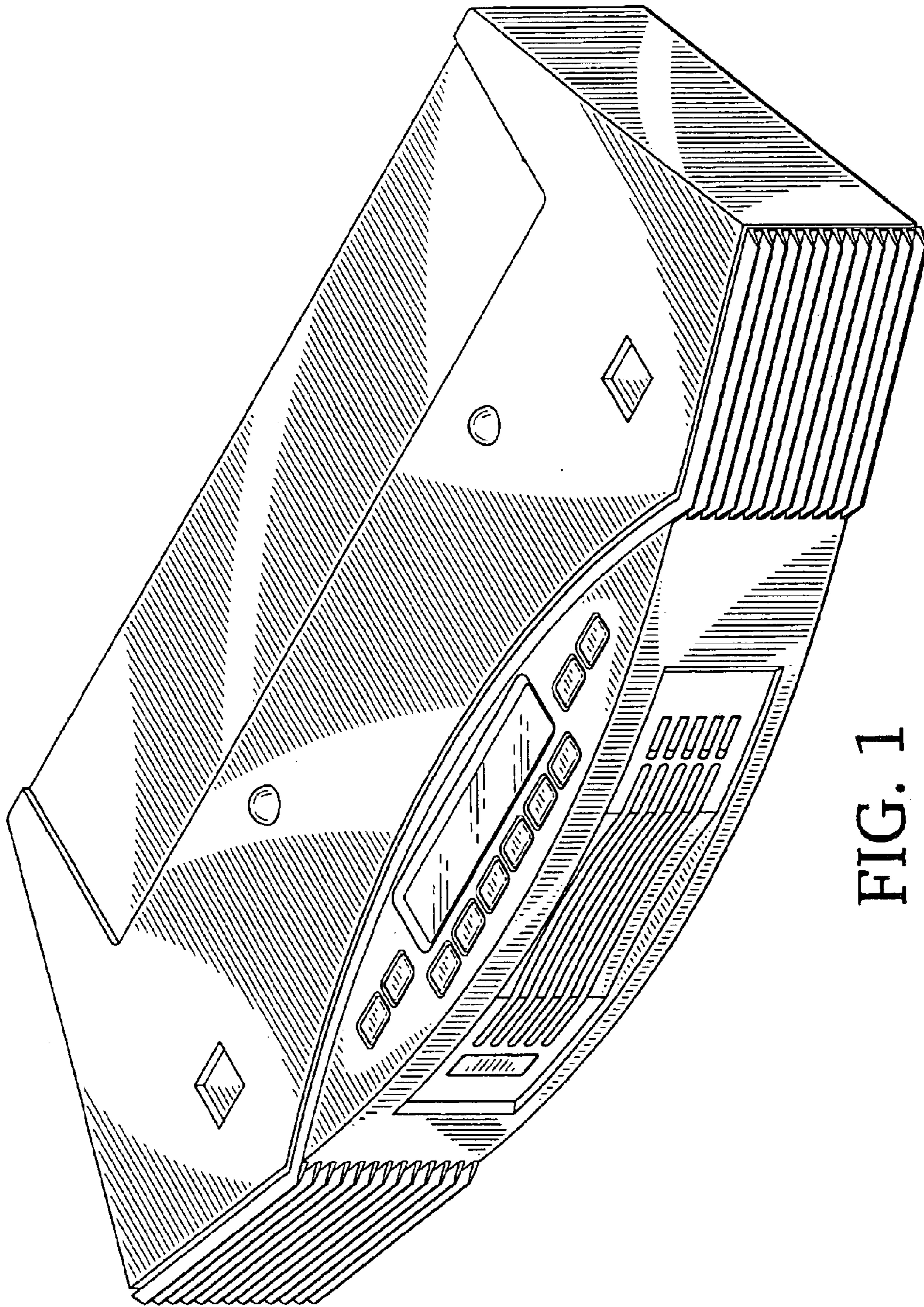


FIG. 1

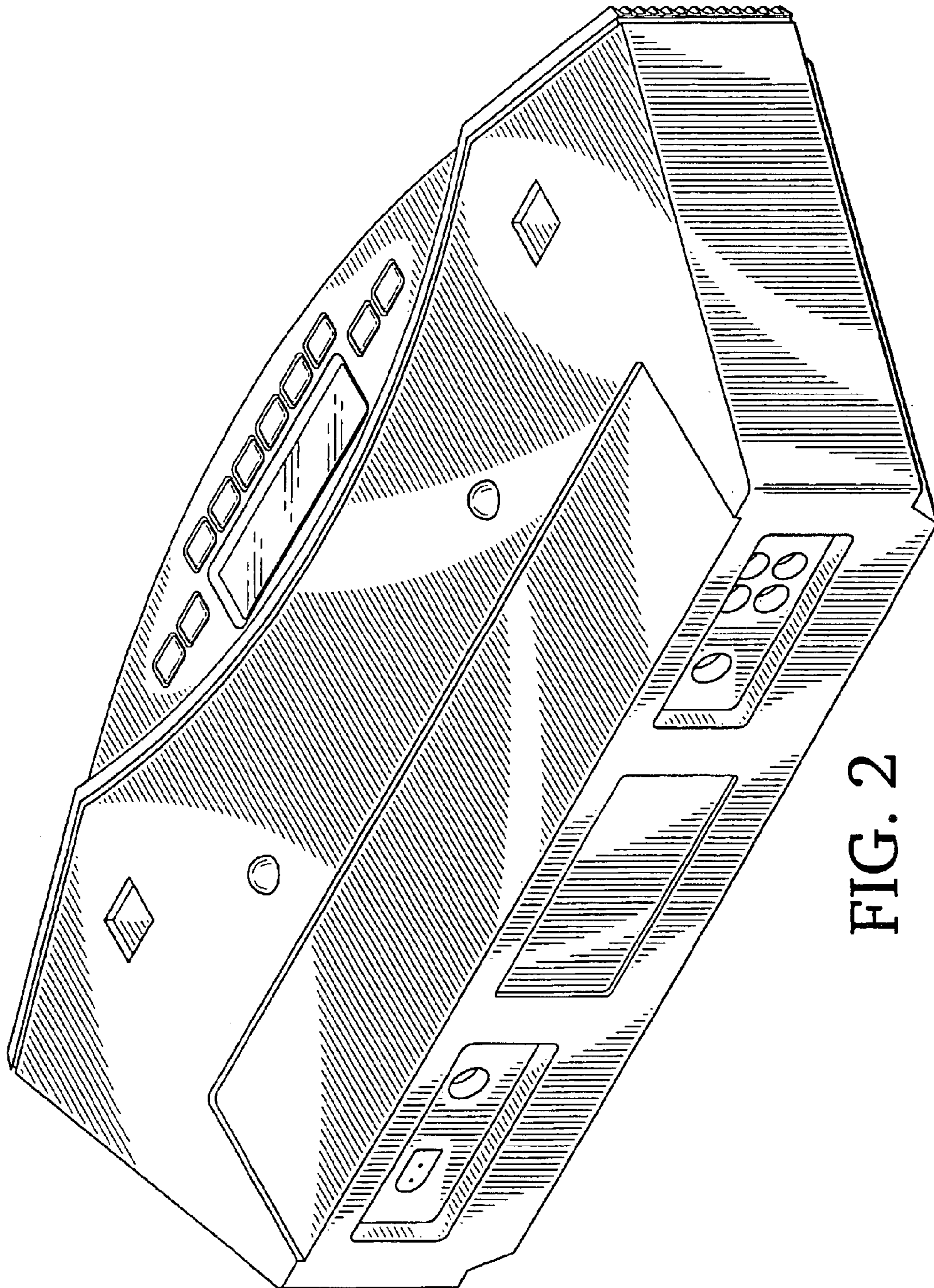


FIG. 2

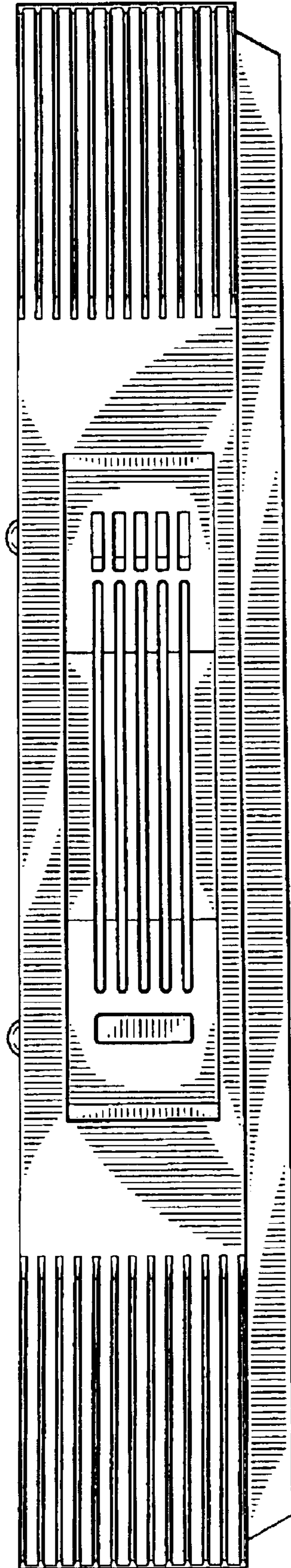


FIG. 3

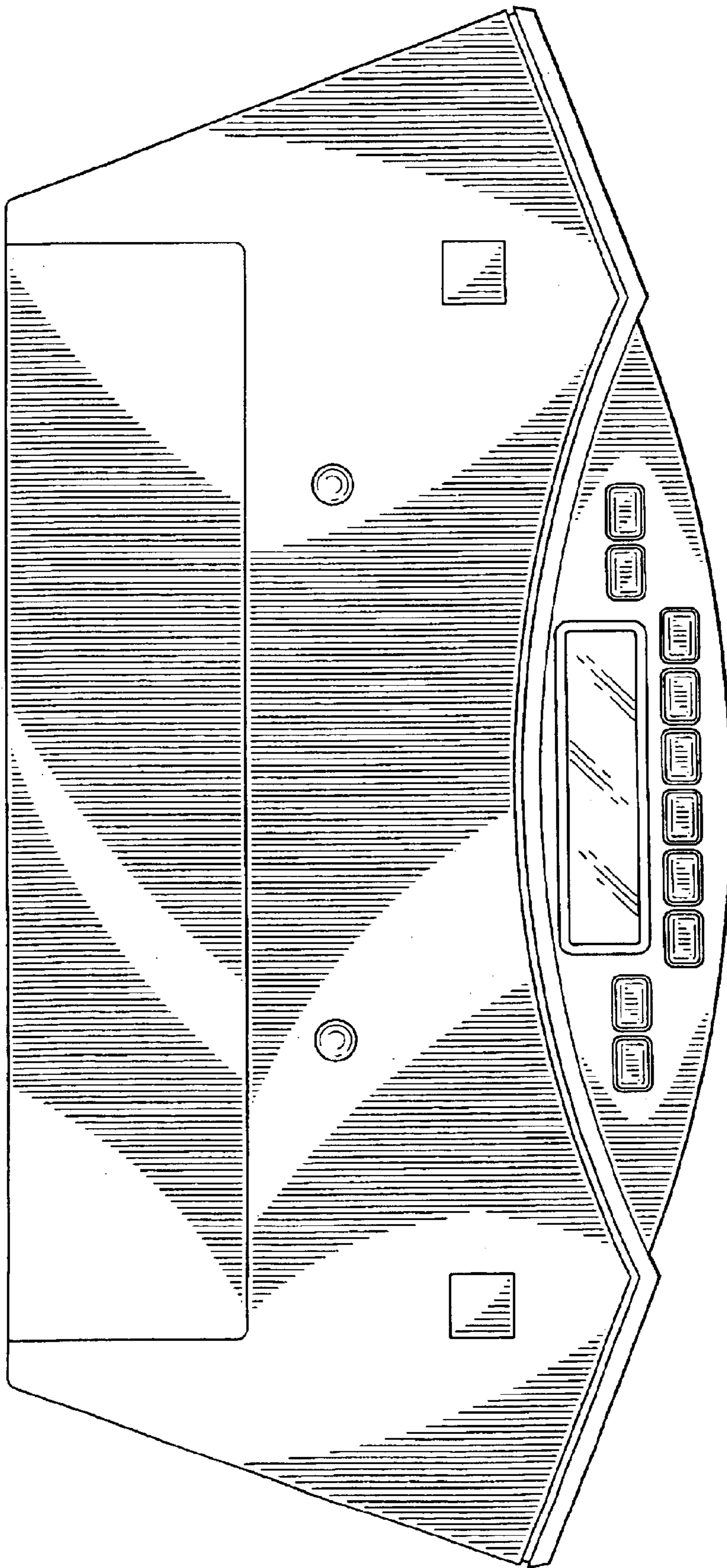


FIG. 4

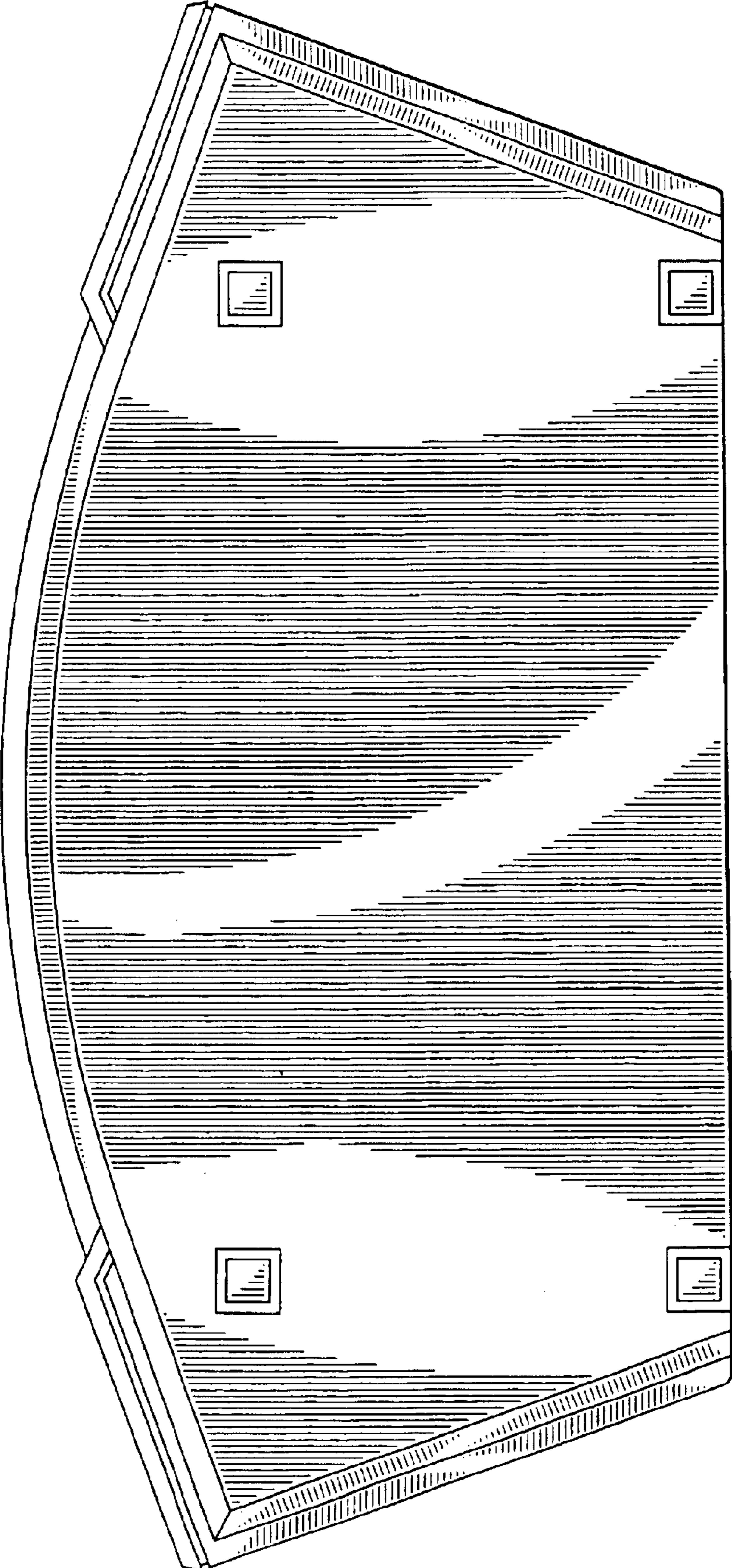


FIG. 5

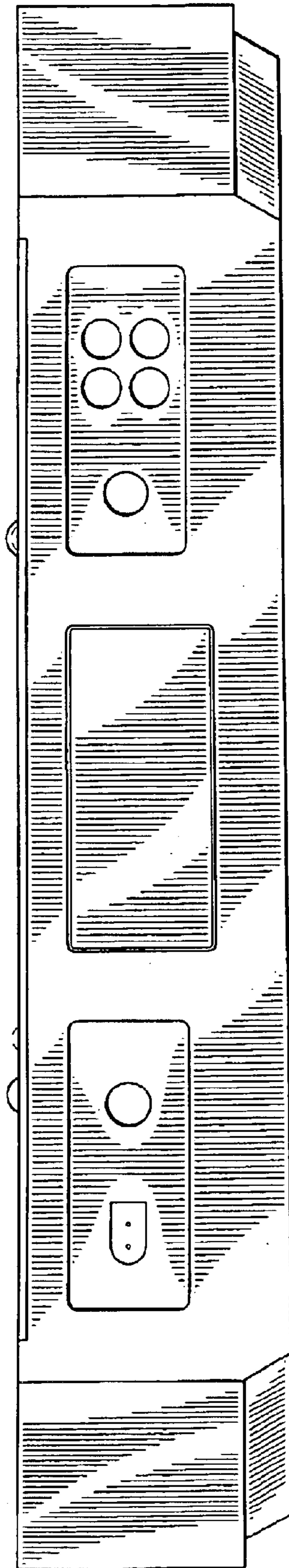


FIG. 6

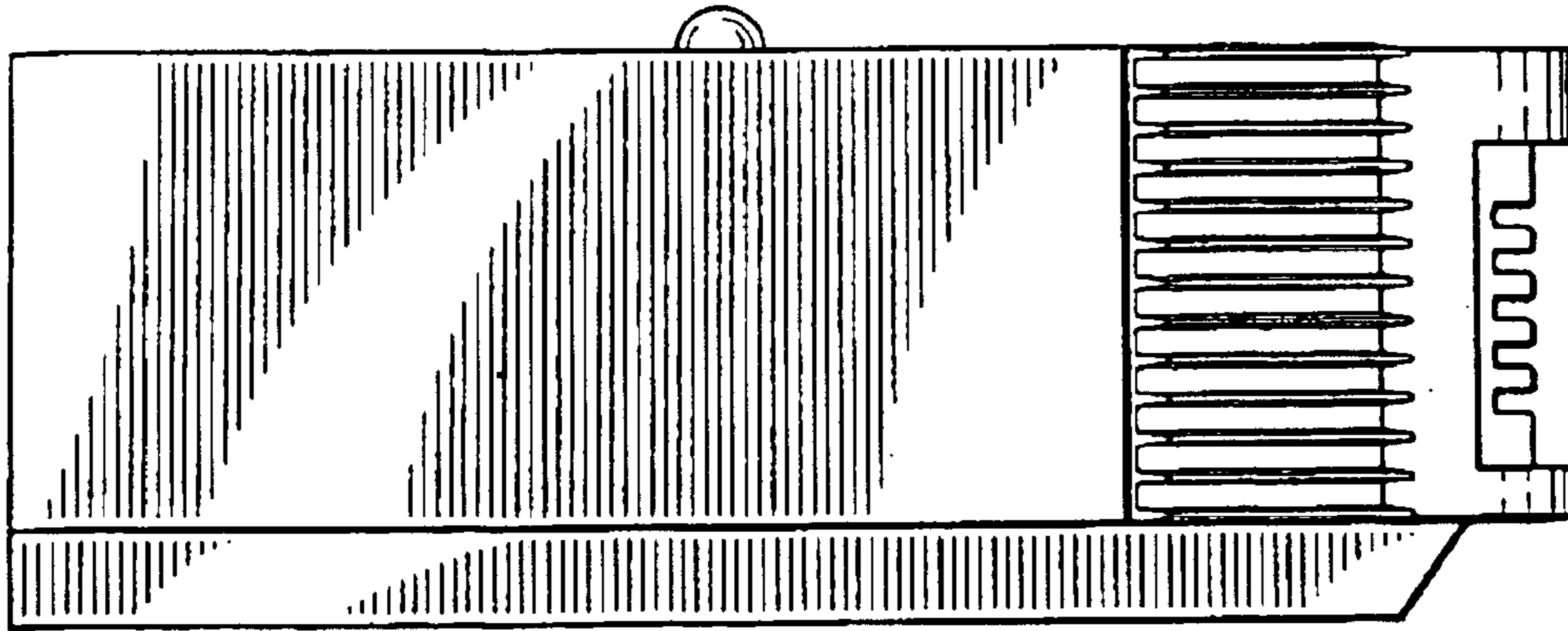


FIG. 7

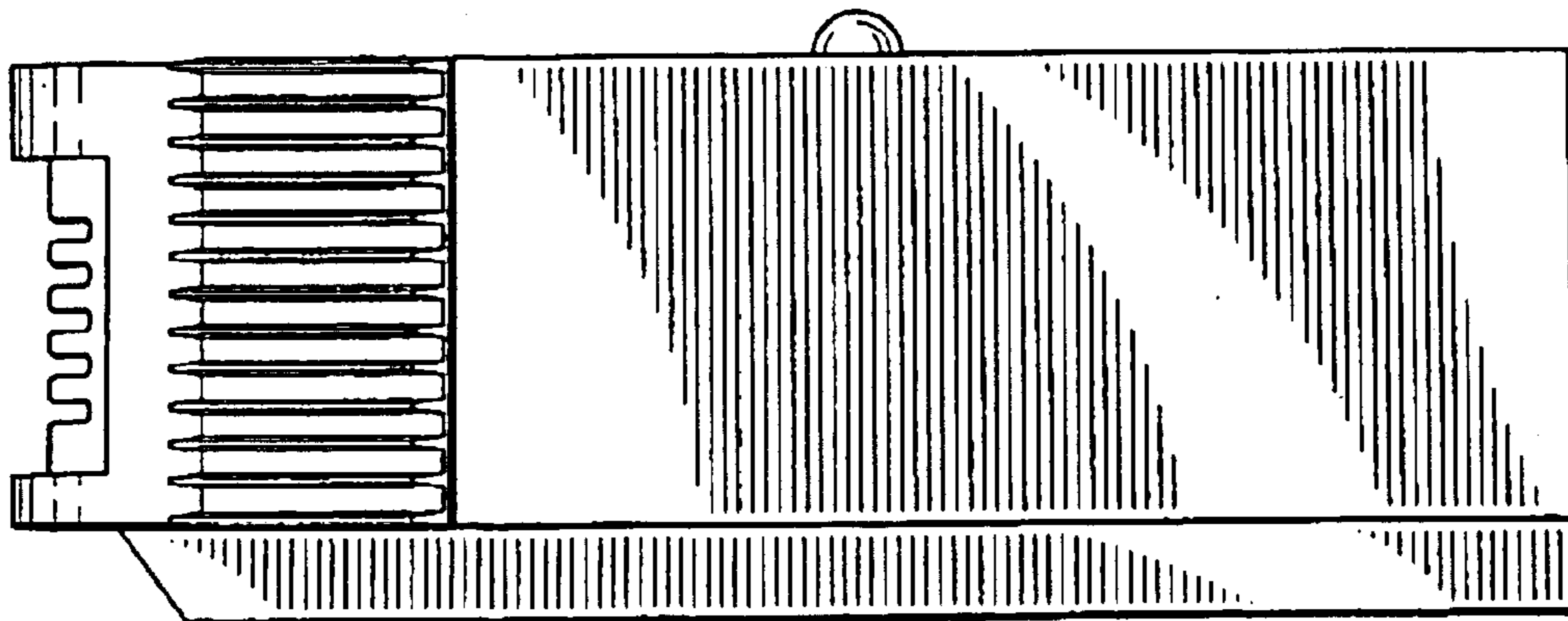


FIG. 8