

US00D502460S

(12) **United States Design Patent**  
**Ueda et al.**

(10) **Patent No.:** **US D502,460 S**  
(45) **Date of Patent:** **\*\* Mar. 1, 2005**

(54) **COMBINED DISC PLAYER, RADIO RECEIVER AND TAPE RECORDER**

(75) Inventors: **Arinobu Ueda**, Tokyo (JP); **Koichi Maruta**, Saitama (JP)

(73) Assignee: **Sony Corporation**, Tokyo (JP)

(\*\*) Term: **14 Years**

(21) Appl. No.: **29/197,403**

(22) Filed: **Jan. 15, 2004**

(51) **LOC (7) Cl.** ..... **14-01**

(52) **U.S. Cl.** ..... **D14/168**

(58) **Field of Search** ..... D14/135-136,  
D14/160-168, 188, 195-198, 156-157,  
189; 455/100, 344, 346-351; 369/75.1,  
75.2, 77.2

(56) **References Cited**

**U.S. PATENT DOCUMENTS**

|            |   |         |               |       |         |
|------------|---|---------|---------------|-------|---------|
| D348,461 S | * | 7/1994  | Peersmann     | ..... | D14/195 |
| D395,047 S | * | 6/1998  | Segan et al.  | ..... | D14/168 |
| D410,649 S |   | 6/1999  | Kobayashi     |       |         |
| D469,077 S | * | 1/2003  | Jerome        | ..... | D14/168 |
| D475,360 S |   | 6/2003  | Yoneda et al. |       |         |
| D482,015 S | * | 11/2003 | Ng            | ..... | D14/168 |

**OTHER PUBLICATIONS**

Web page "CFD-G70", 1 sheet, Sony (2000).  
Web page "CFD-EX35", 1 sheet, Sony (2002).  
Web page "CSD-A778S" www.yodobashi.com, 1 sheet,  
Yodobashi Camera (Nov. 2003).

\* cited by examiner

*Primary Examiner*—Nanda Bondade

(74) *Attorney, Agent, or Firm*—Rader, Fishman & Grauer PLLC

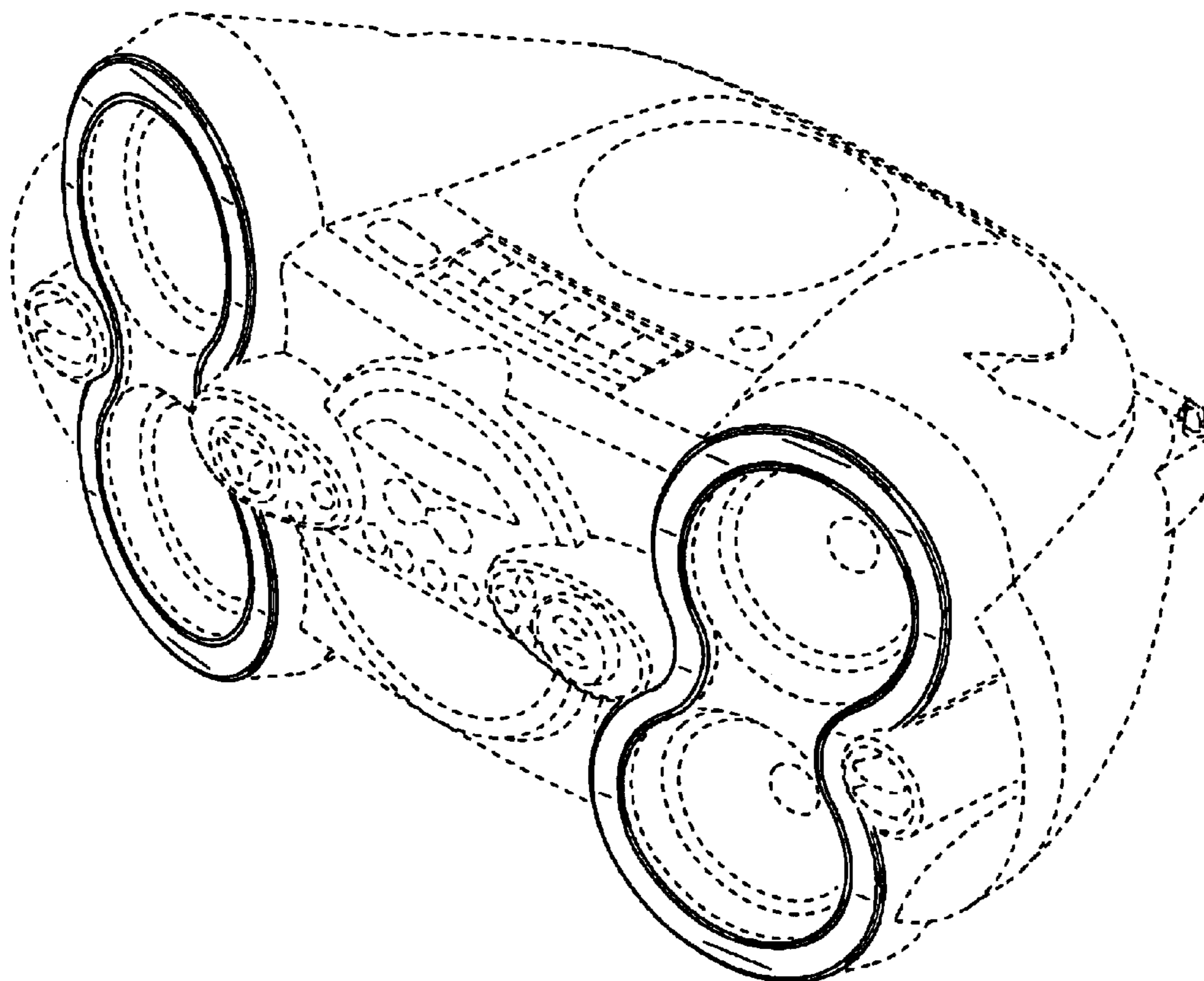
(57) **CLAIM**

The ornamental design for a combined disc player, radio receiver and tape recorder, as shown and described.

**DESCRIPTION**

FIG. 1 is a perspective view of a combined disc player, radio receiver and tape recorder showing our new design; FIG. 2 is a front elevational view thereof; FIG. 3 is a left side elevational view thereof; FIG. 4 is a right side elevational view thereof; FIG. 5 is a top plan view thereof; and, FIG. 6 is a bottom plan view thereof. Portions of FIGS. 1-6 that are shown as broken lines are for illustrative purpose only and form no part of the claimed design.

**1 Claim, 4 Drawing Sheets**



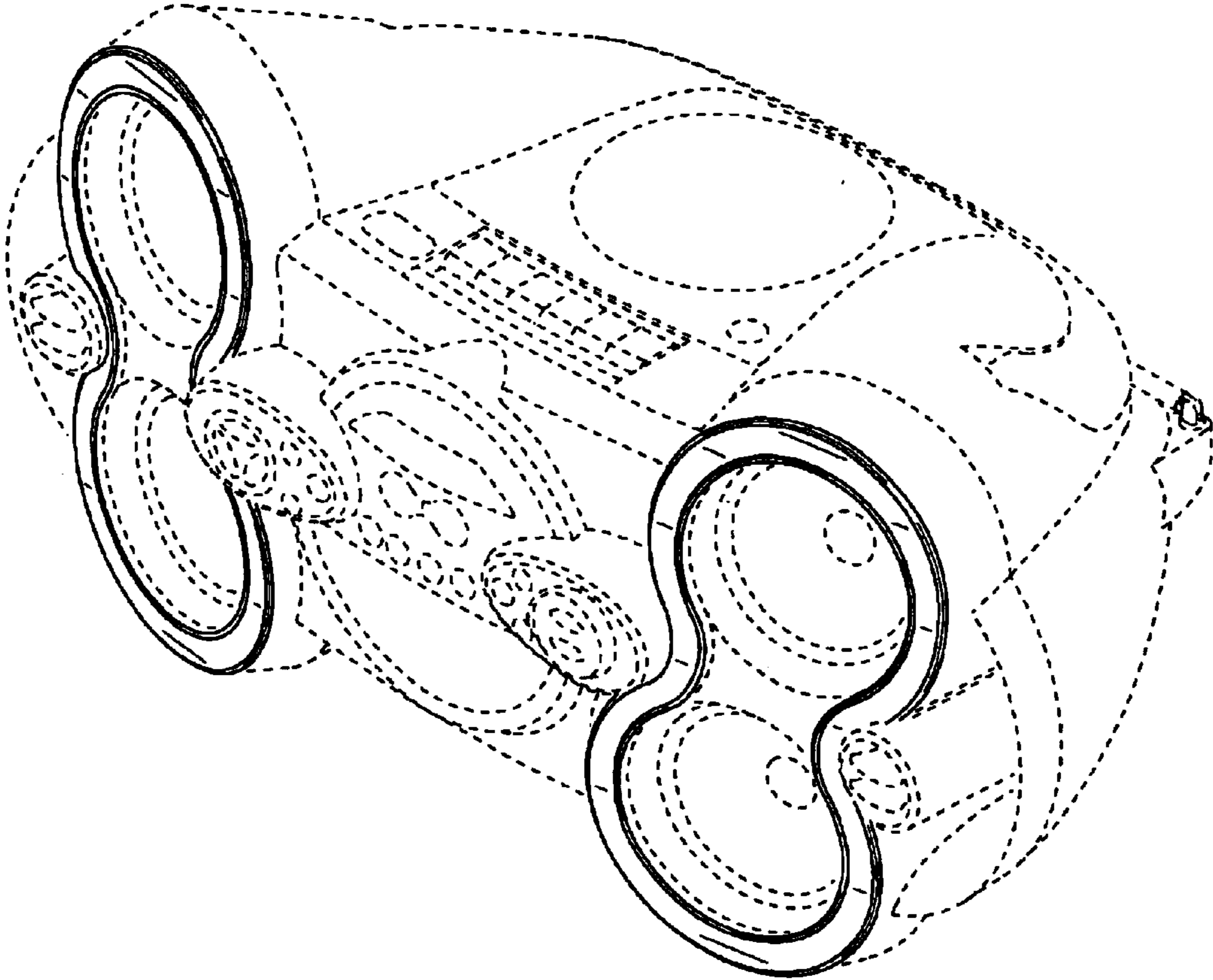


FIG. 1

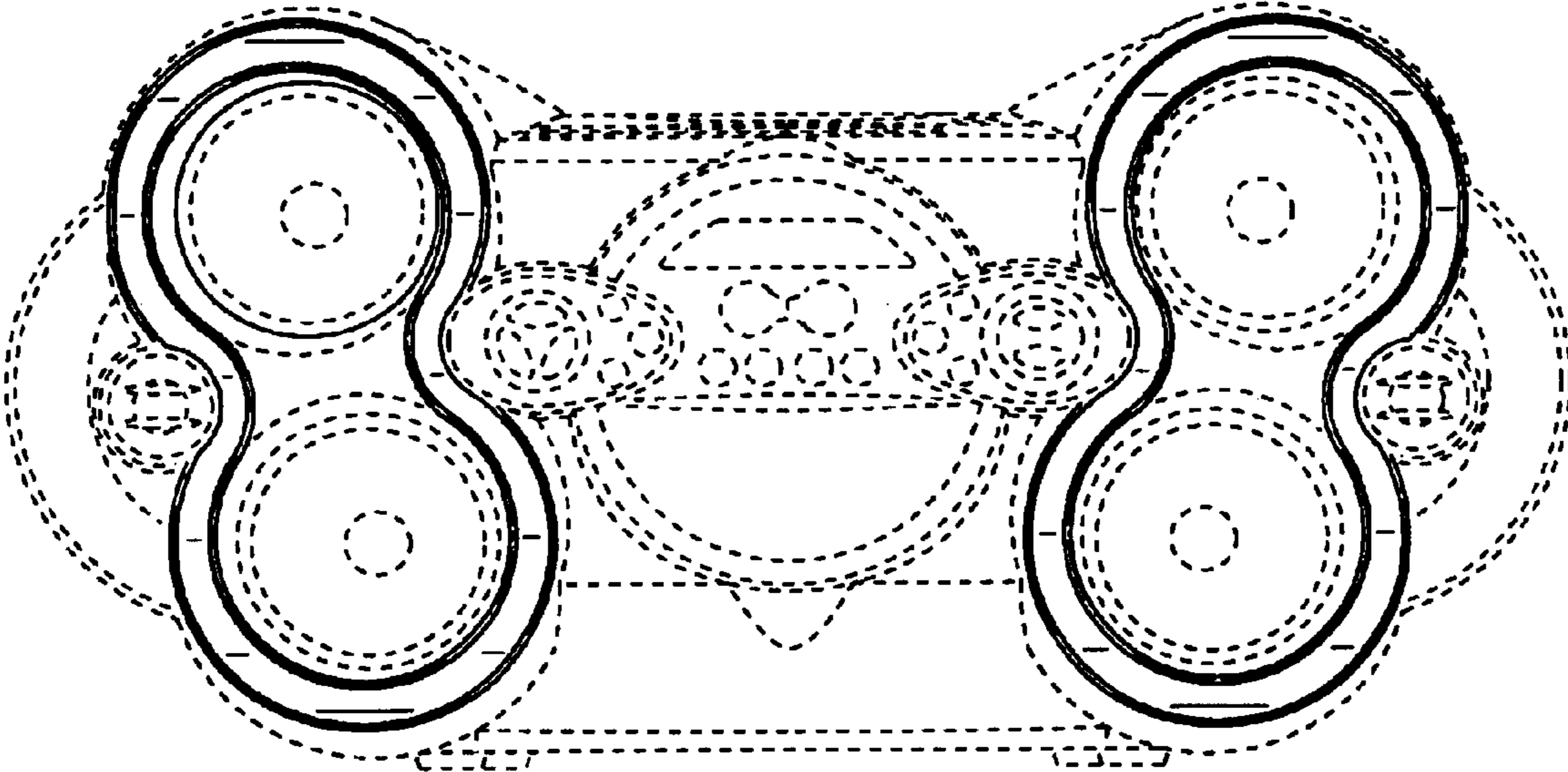


FIG. 2

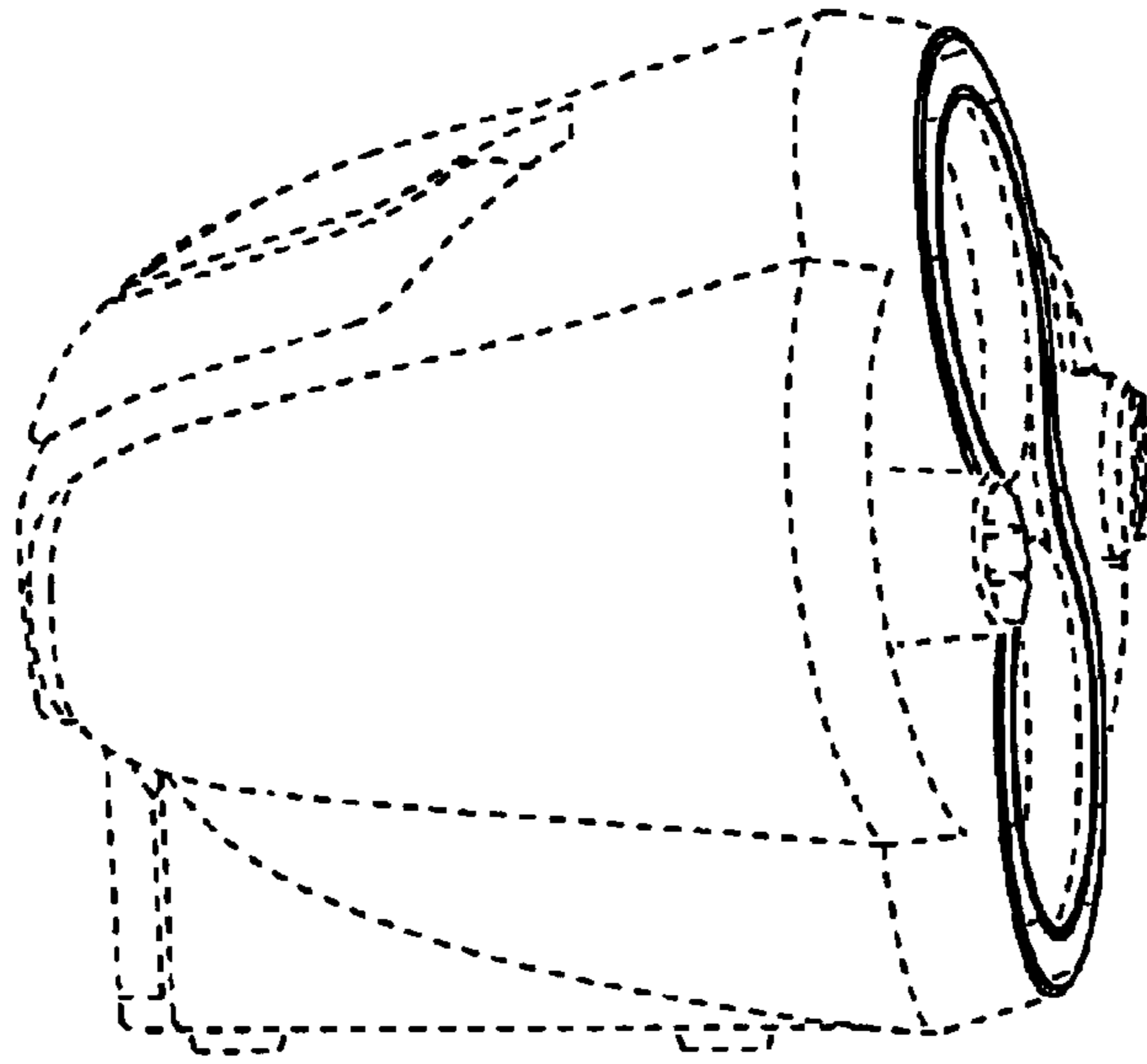


FIG. 3

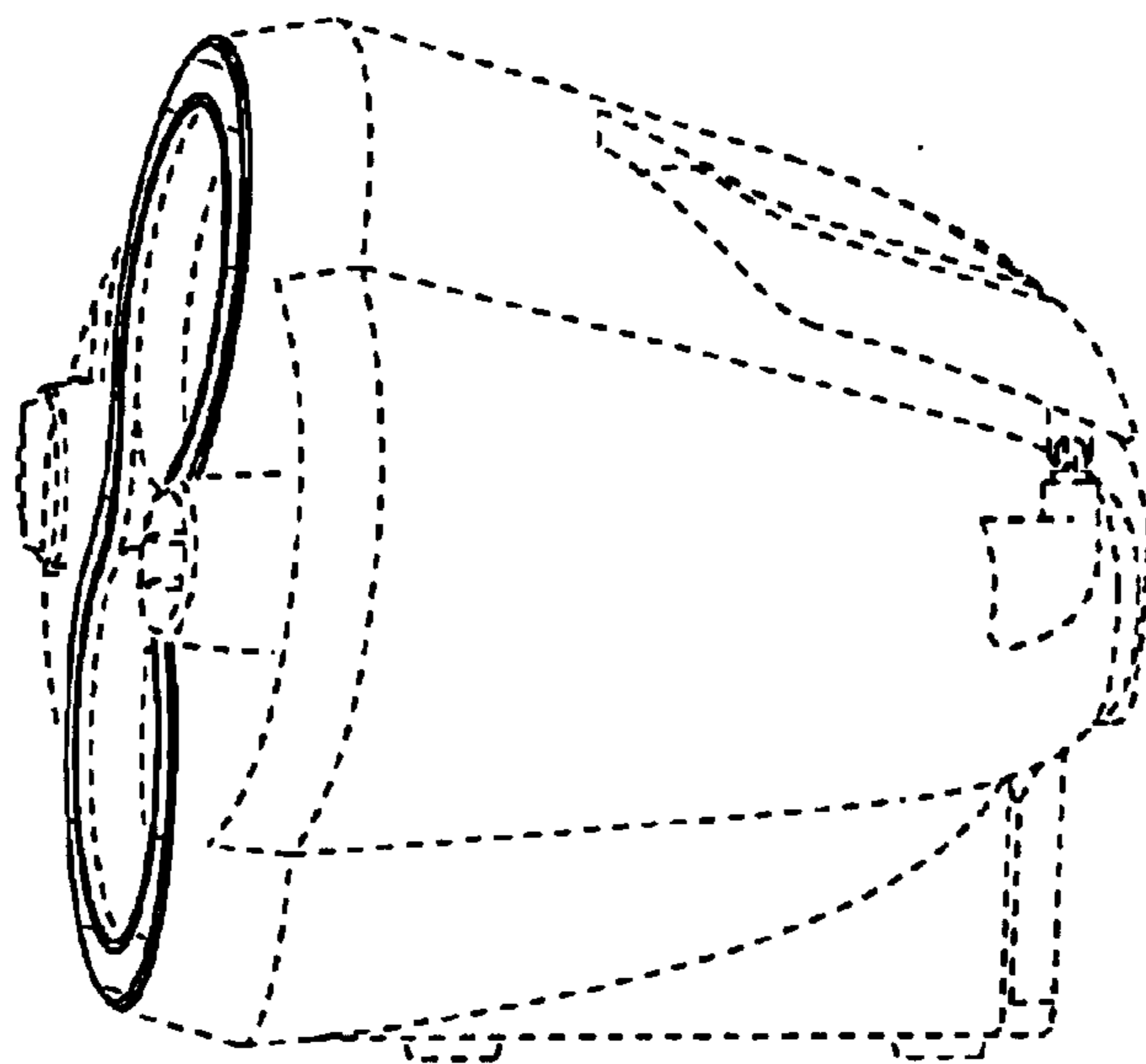


FIG. 4



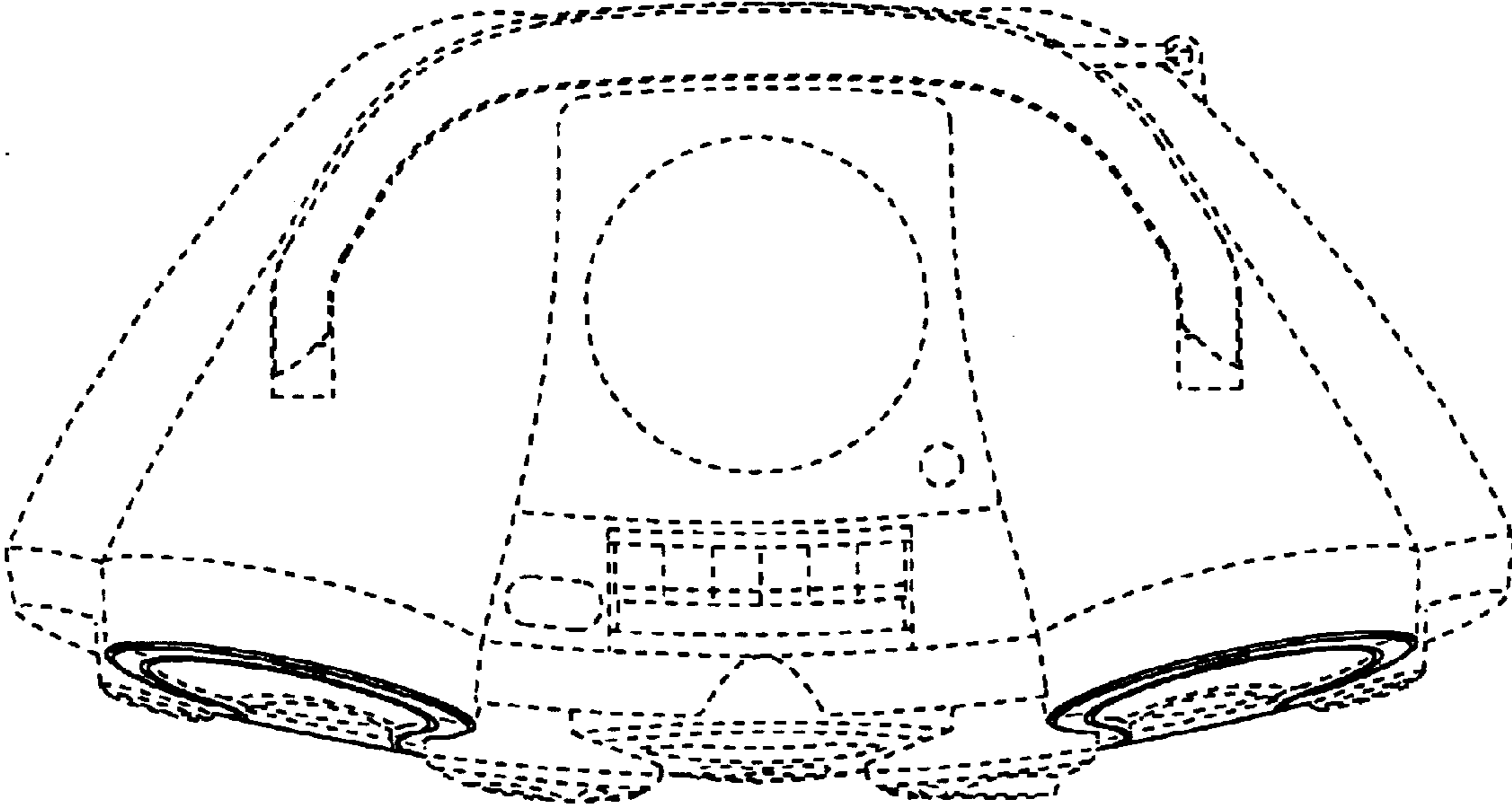


FIG. 5

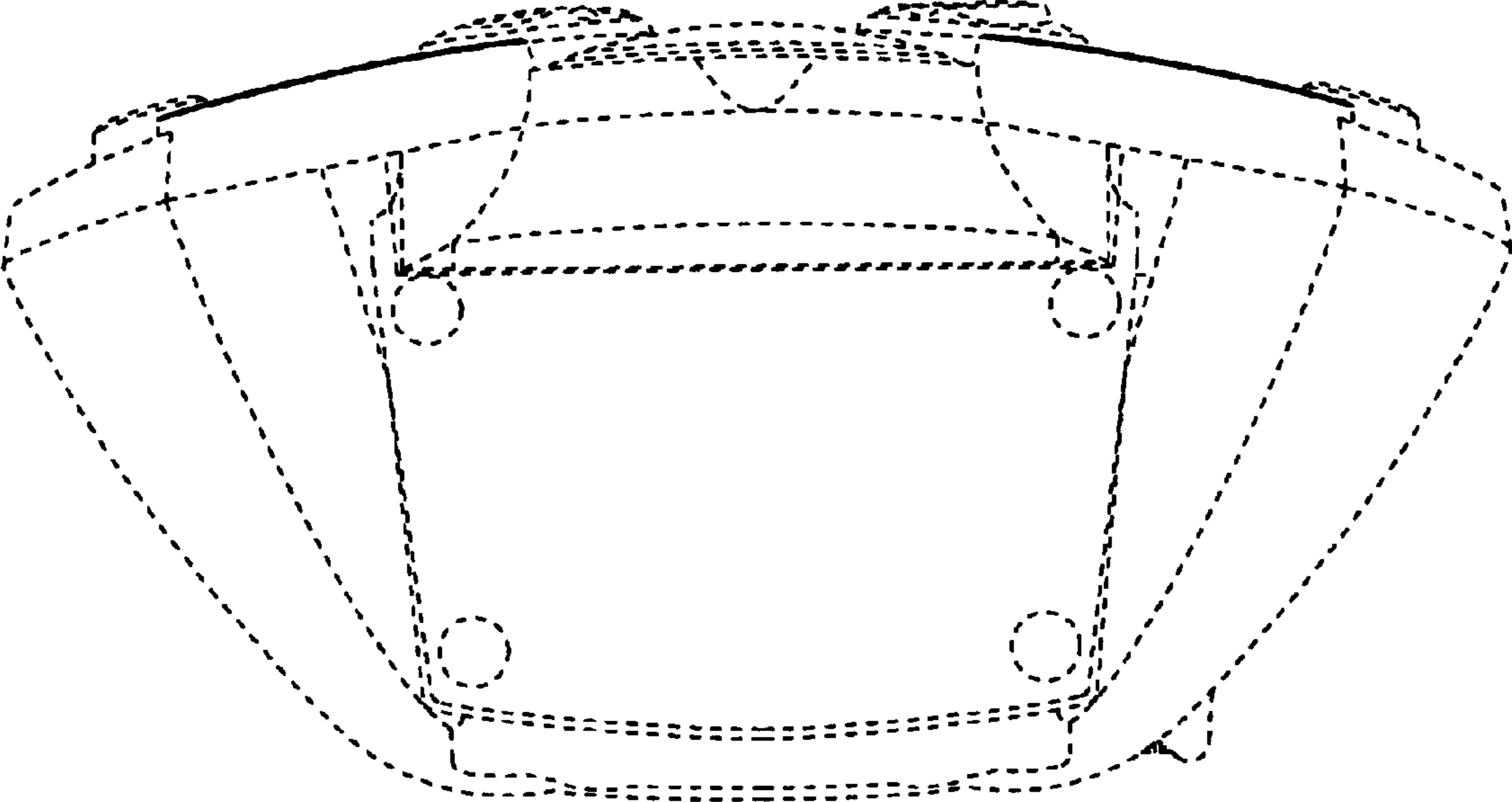


FIG. 6