

US00D502452S

(12) **United States Design Patent**
Peng

(10) **Patent No.:** **US D502,452 S**
(45) **Date of Patent:** **** Mar. 1, 2005**

- (54) **MULTIMEDIA DISPLAY**
- (75) **Inventor:** **Juen Tien Peng, Chung Li (TW)**
- (73) **Assignee:** **Action Electronics Co., Ltd., Chung Li (TW)**
- (**) **Term:** **14 Years**
- (21) **Appl. No.:** **29/201,579**
- (22) **Filed:** **Mar. 18, 2004**
- (51) **LOC (7) Cl.** **14-03**
- (52) **U.S. Cl.** **D14/126; D14/129**
- (58) **Field of Search** **D14/125-134, D14/239, 371, 374-376; 312/7.2; 348/836, 838, 180, 184, 325, 739; 341/12; 248/917-924, 465; 345/104, 133, 156, 168, 87, 173**

- D415,147 S * 10/1999 Adachi D14/132
- D427,169 S * 6/2000 Saeki et al. D14/126
- D453,747 S * 2/2002 Kita D14/134
- D458,910 S * 6/2002 Kita D14/126
- D494,553 S * 8/2004 Yang D14/126

* cited by examiner

Primary Examiner—Raphael Barkai
(74) *Attorney, Agent, or Firm*—Rosenberg, Klein & Lee

(57) **CLAIM**

The ornamental design of a multimedia display, as shown and described.

DESCRIPTION

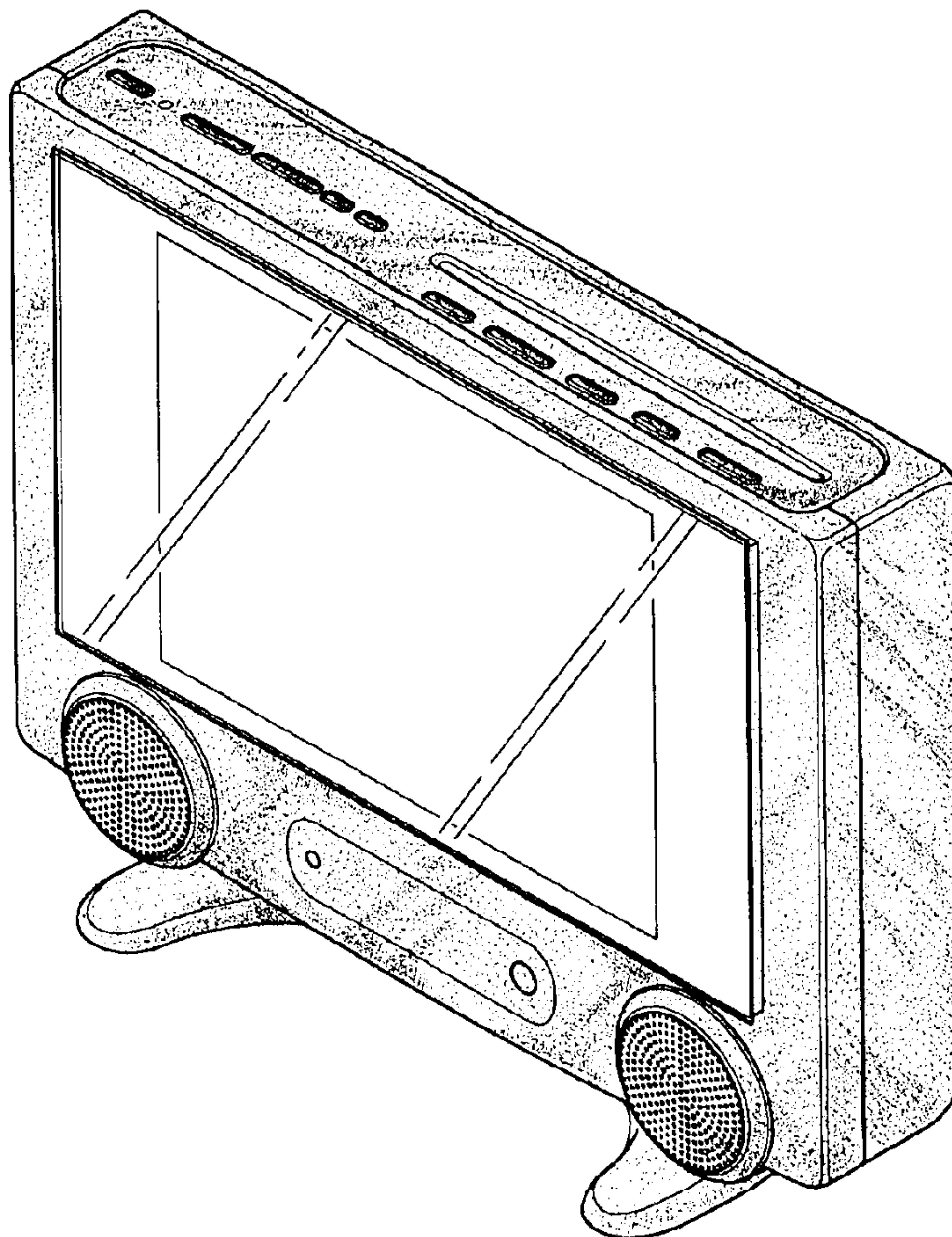
FIG. 1 is a perspective view of multimedia display showing my design;
FIG. 2 is a front elevational view thereof;
FIG. 3 is a rear elevational view thereof;
FIG. 4 is a left elevational view thereof;
FIG. 5 is a right elevational view thereof;
FIG. 6 is a top elevational view thereof; and,
FIG. 7 is a bottom elevational view thereof.

(56) **References Cited**

U.S. PATENT DOCUMENTS

- 527,694 A * 10/1894 Jones 248/465
- D394,248 S * 5/1998 Duan D14/375
- D414,164 S * 9/1999 Rorke et al. D14/374

1 Claim, 4 Drawing Sheets



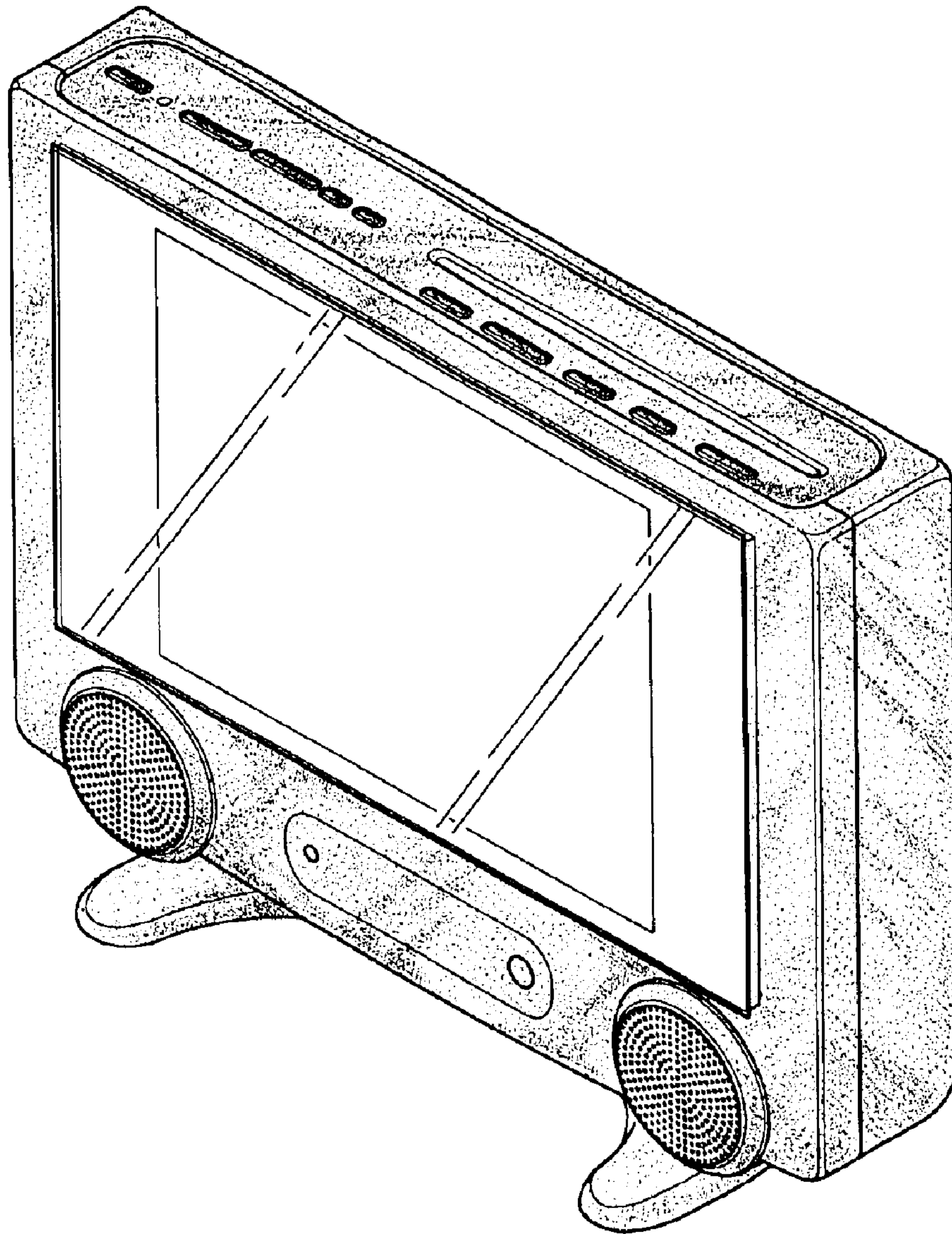


FIG. 1

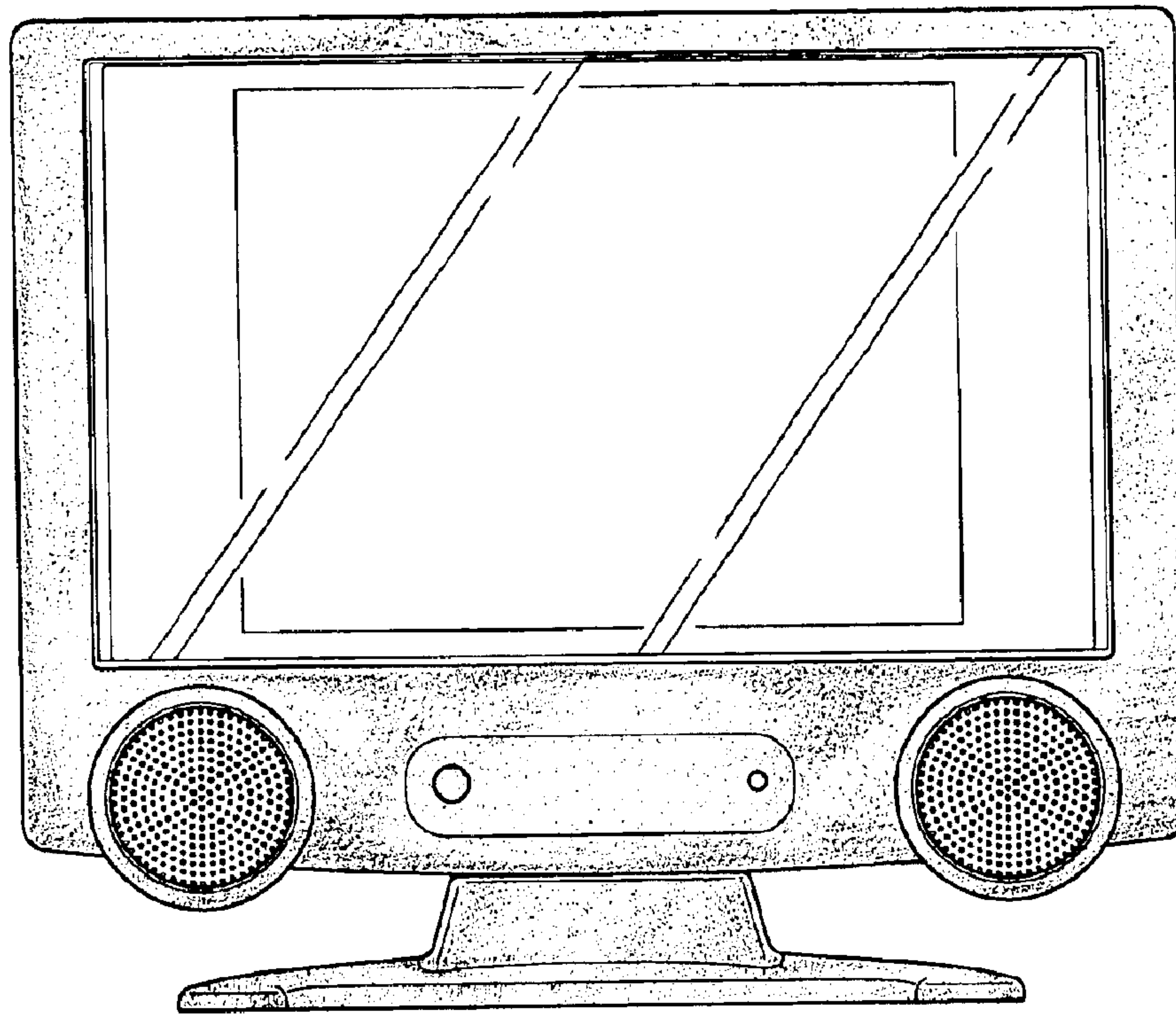


FIG. 2

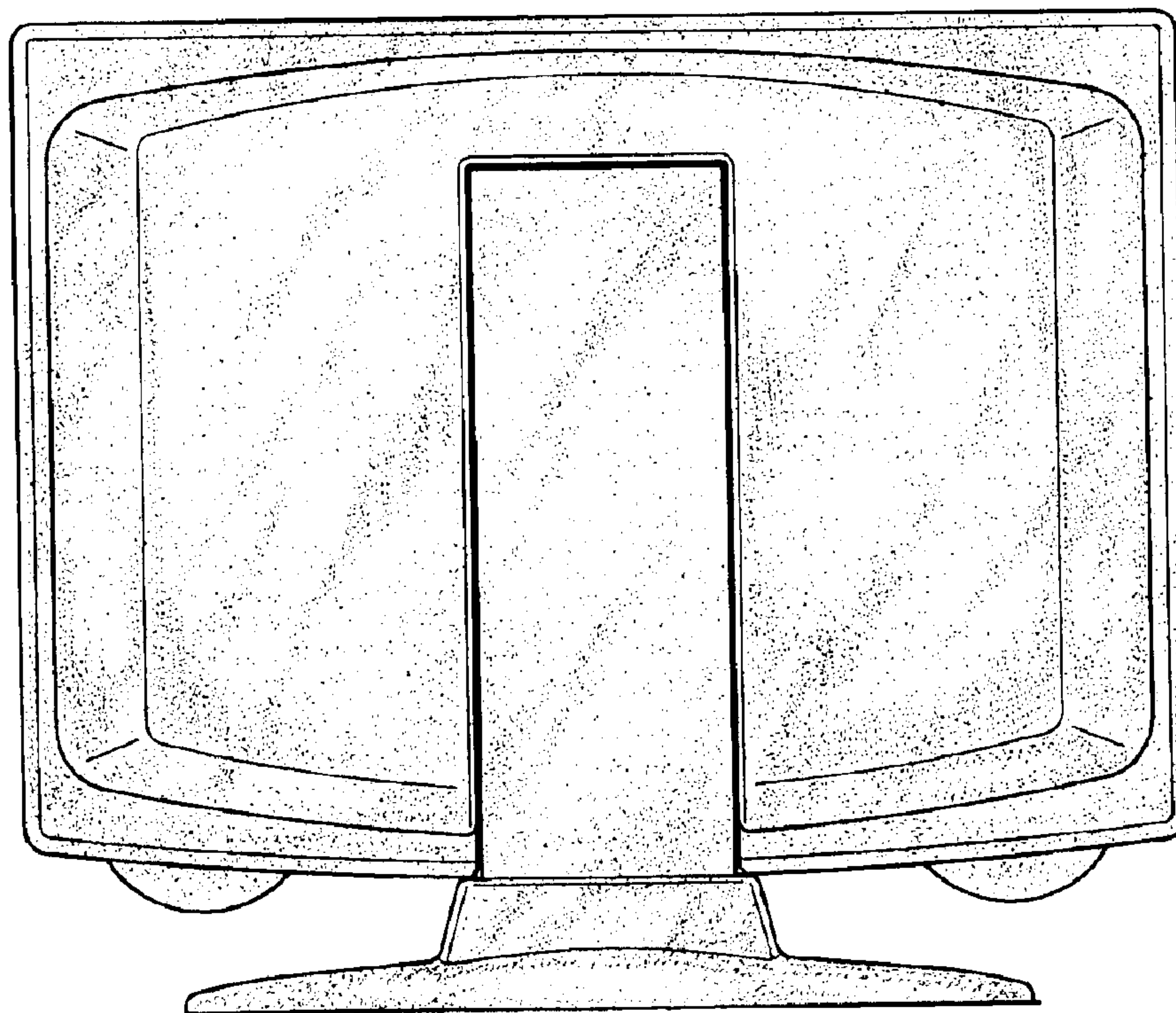


FIG. 3

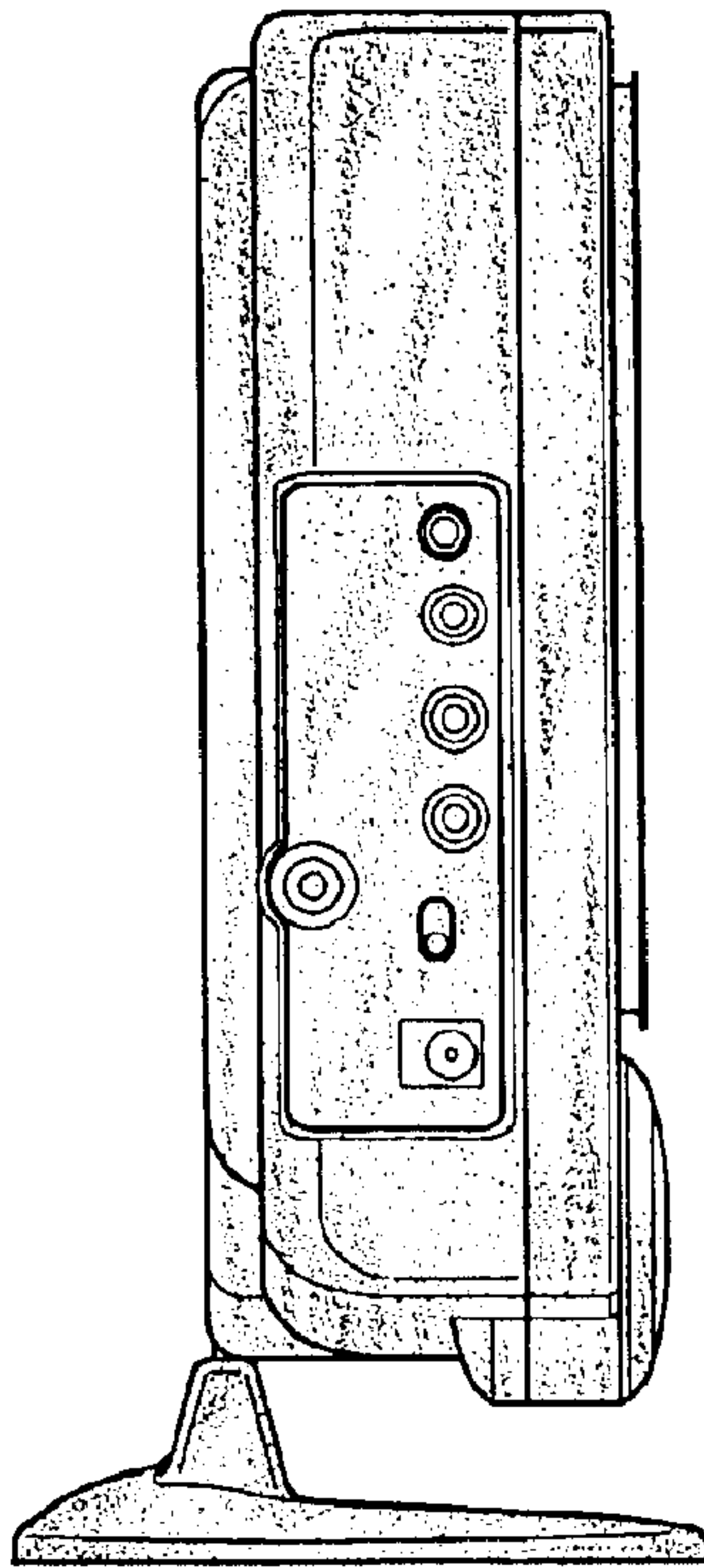


FIG. 4

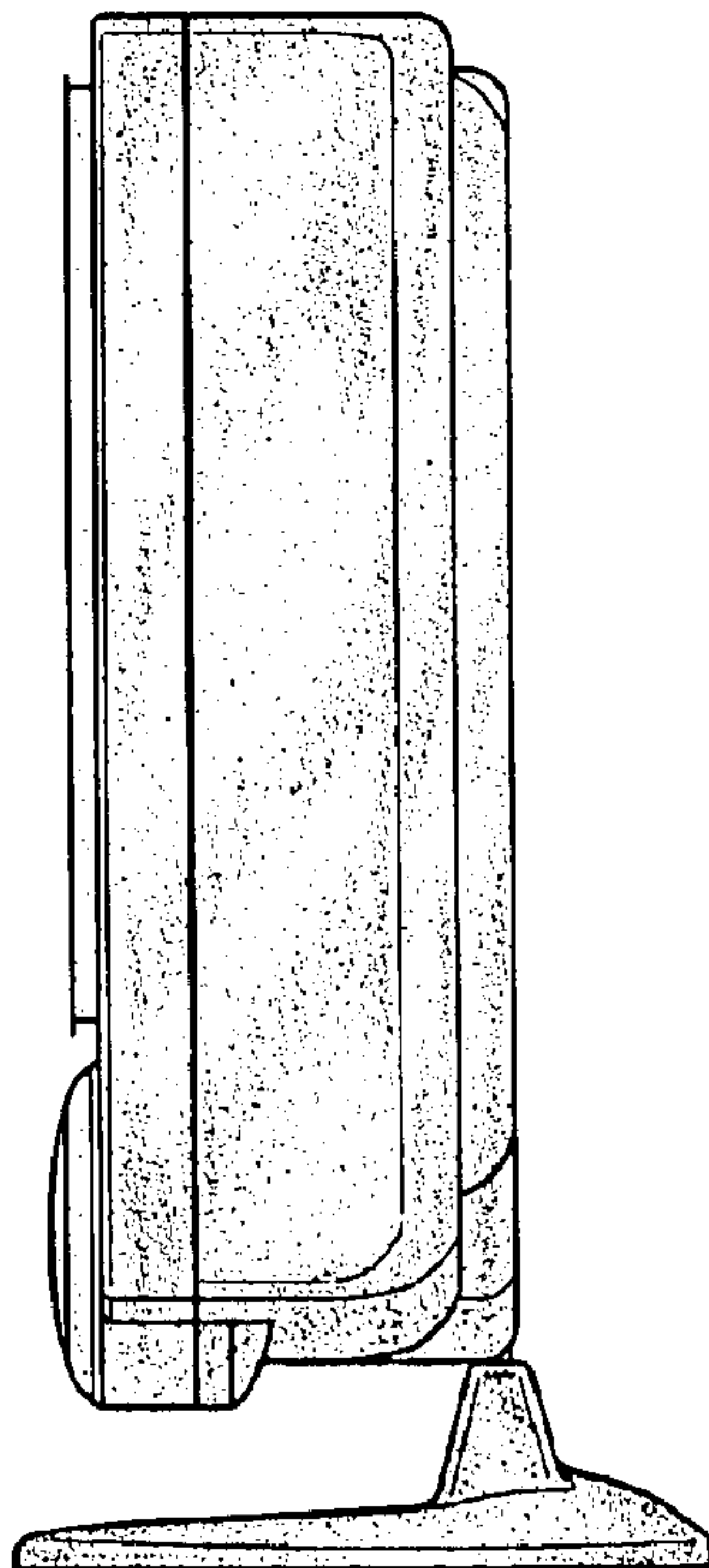


FIG. 5

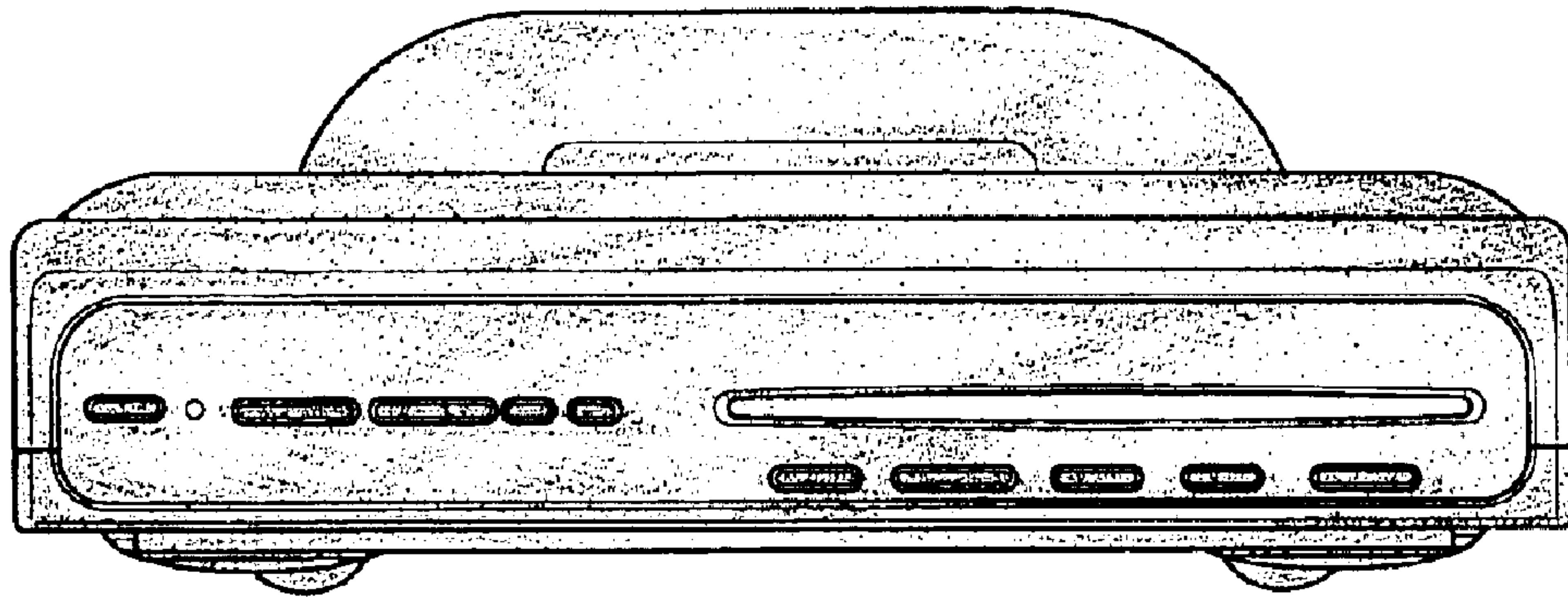


FIG. 6

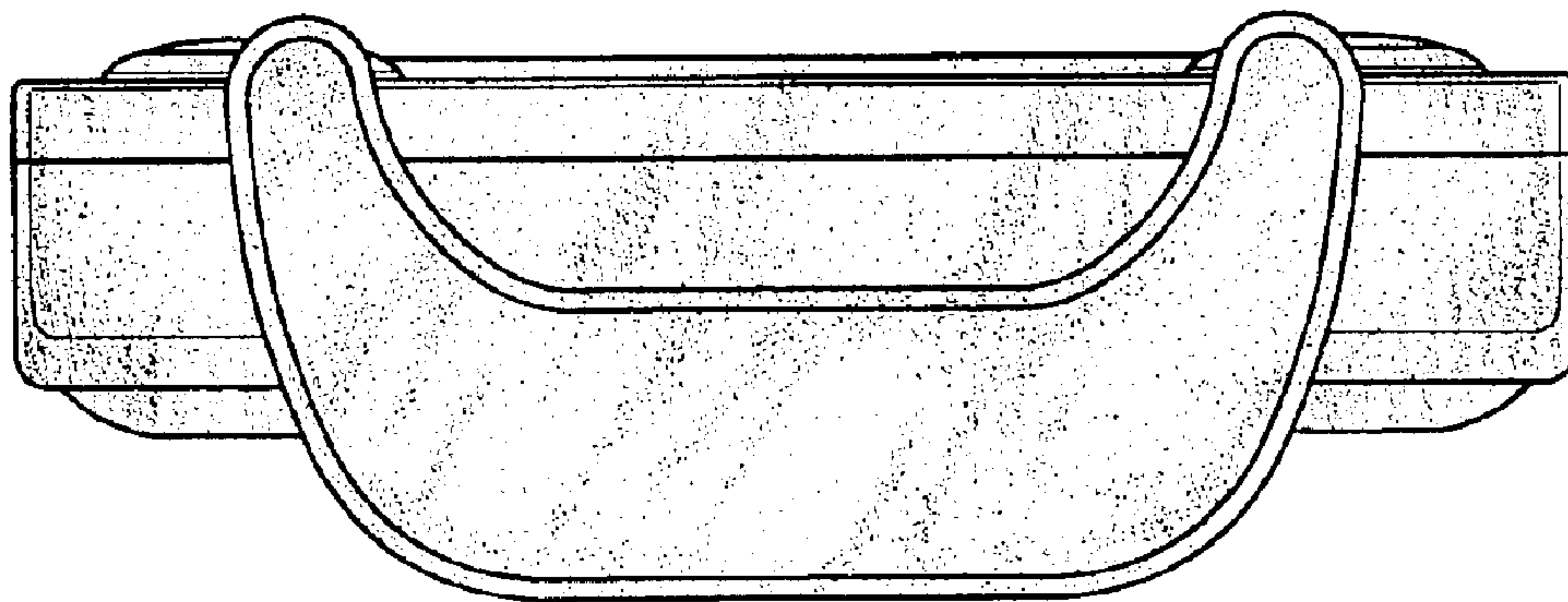


FIG. 7