



US00D502449S

(12) **United States Design Patent**
Ishida

(10) **Patent No.:** **US D502,449 S**
(45) **Date of Patent:** **** Mar. 1, 2005**

- (54) **LIGHT EMITTING DIODE (LED)**
- (75) Inventor: **Masashi Ishida, Naka-gun (JP)**
- (73) Assignee: **Nichia Corporation, Anan (JP)**
- (**) Term: **14 Years**
- (21) Appl. No.: **29/182,998**
- (22) Filed: **Jun. 5, 2003**

JP	D1077515 S	7/2000
JP	D1170087 S	4/2003
JP	D1170881 S	4/2003
JP	D1171195 S	4/2003
JP	D1171196 S	4/2003
JP	D1171709 S	4/2003
JP	D1171710 S	4/2003
KR	30-0294490 S	3/2002
KR	30-0294490-1 S	3/2002

* cited by examiner

(30) **Foreign Application Priority Data**

Dec. 6, 2002 (JP) 2002-033989

- (51) **LOC (7) Cl.** **13-03**
- (52) **U.S. Cl.** **D13/180**
- (58) **Field of Search** D13/180, 182;
257/76, 79, 88, 89, 93-99, 434, 676, 678,
687, 690, 698, 787; 313/498, 499, 500;
361/760, 820; 362/226, 241, 249, 250,
307, 555, 800

Primary Examiner—Stella Reid
Assistant Examiner—Selina Sikder
(74) *Attorney, Agent, or Firm*—Smith Patent Office

(57) **CLAIM**

I claim the ornamental design for the light emitting diode (LED), as shown and described.

DESCRIPTION

FIG. 1 is a perspective view of a light emitting diode showing my new design;
 FIG. 2 is a rear perspective view of a light emitting diode showing my new design;
 FIG. 3 is a plan view of the light emitting diode according to the embodiment of FIG. 1;
 FIG. 4 is a left view of the light emitting diode according to the embodiment of FIG. 1;
 FIG. 5 is a front elevational view of the light emitting diode according to the embodiment of FIG. 1;
 FIG. 6 is a right view of the light emitting diode according to the embodiment of FIG. 1;
 FIG. 7 is a bottom plan of the light emitting diode according to the embodiment of FIG. 1; and,
 FIG. 8 is a rear elevational view of the light emitting diode according to the embodiment of FIG. 1.

(56) **References Cited**

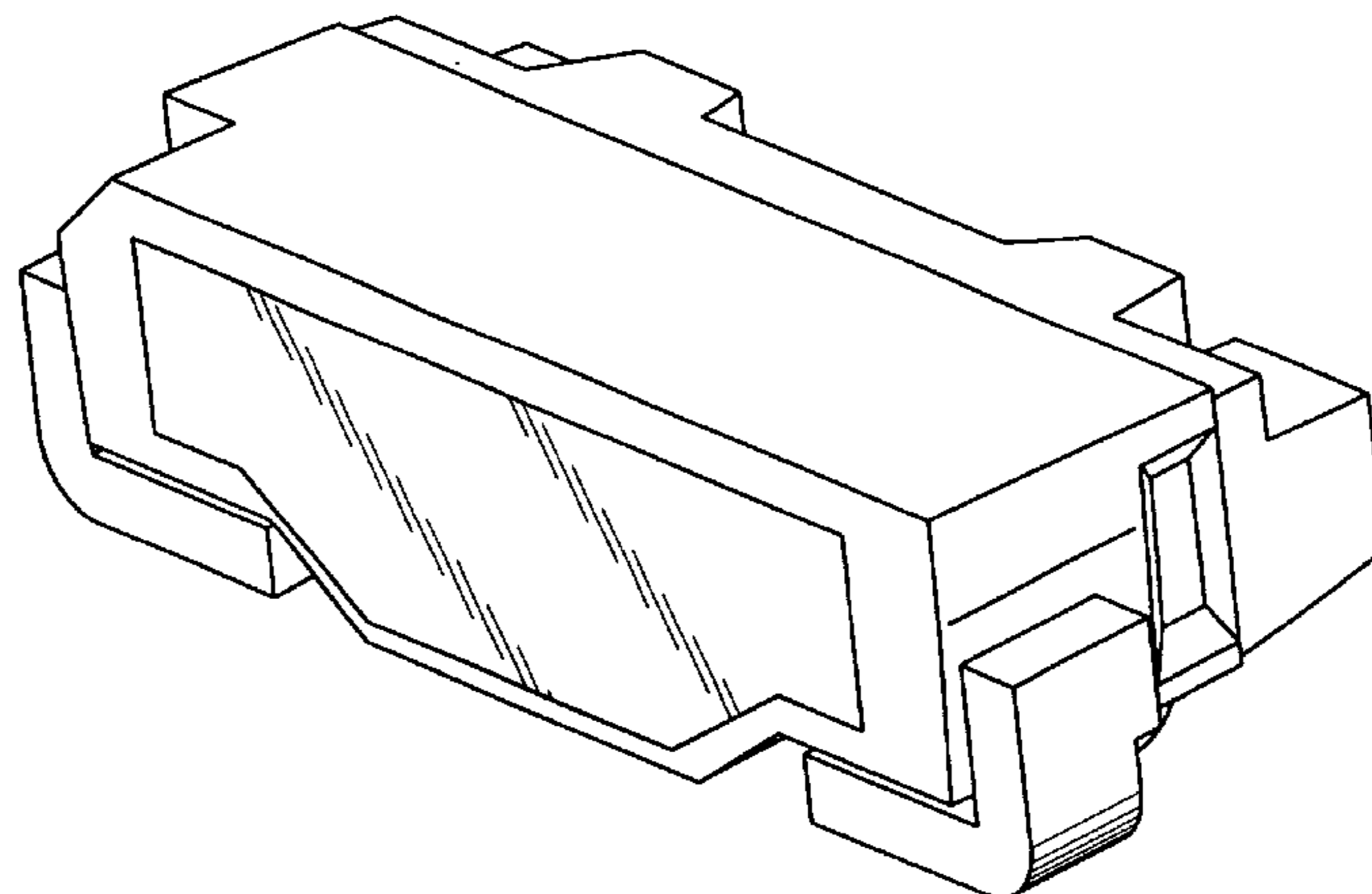
U.S. PATENT DOCUMENTS

D482,337 S	*	11/2003	Kamada	D13/182
D489,677 S	*	5/2004	Ishida	D13/100
D489,690 S	*	5/2004	Ishida	D13/180
D489,691 S	*	5/2004	Ishida	D13/180
D489,692 S	*	5/2004	Ishida	D13/180
D489,693 S	*	5/2004	Ishida	D13/180
D490,062 S	*	5/2004	Ishida	D13/180
D490,384 S	*	5/2004	Ishida	D13/180
D490,385 S	*	5/2004	Ishida	D13/180
D490,386 S	*	5/2004	Ishida	D13/180
D490,783 S	*	6/2004	Ishida	D13/180
D490,784 S	*	6/2004	Ishida	D13/180
D491,538 S	*	6/2004	Ishida	D13/182
2002/0149314 A1	*	10/2002	Takahashi et al.	313/500

FOREIGN PATENT DOCUMENTS

JP D984224-1 S 10/1997

1 Claim, 2 Drawing Sheets



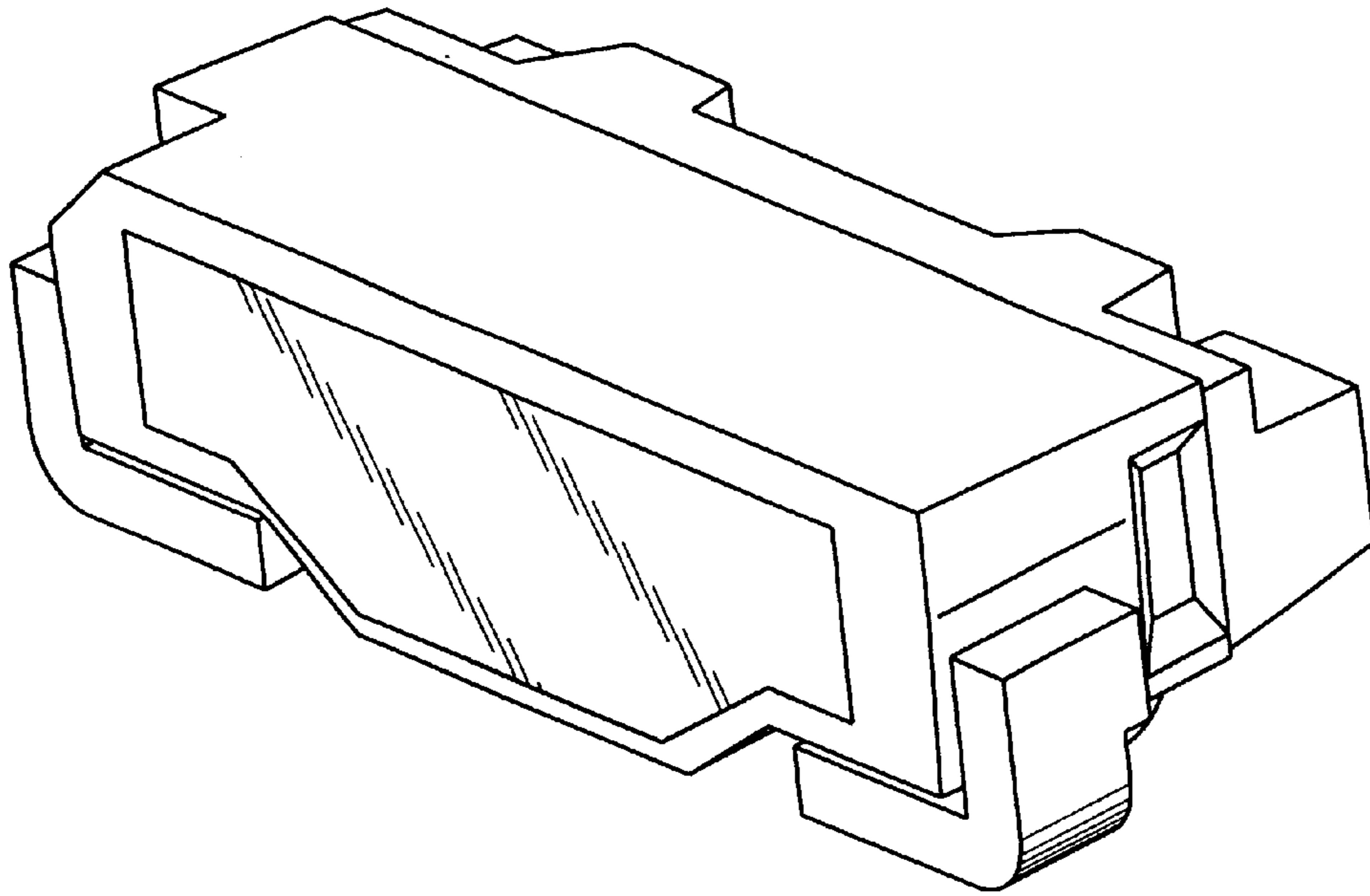


FIG. 1

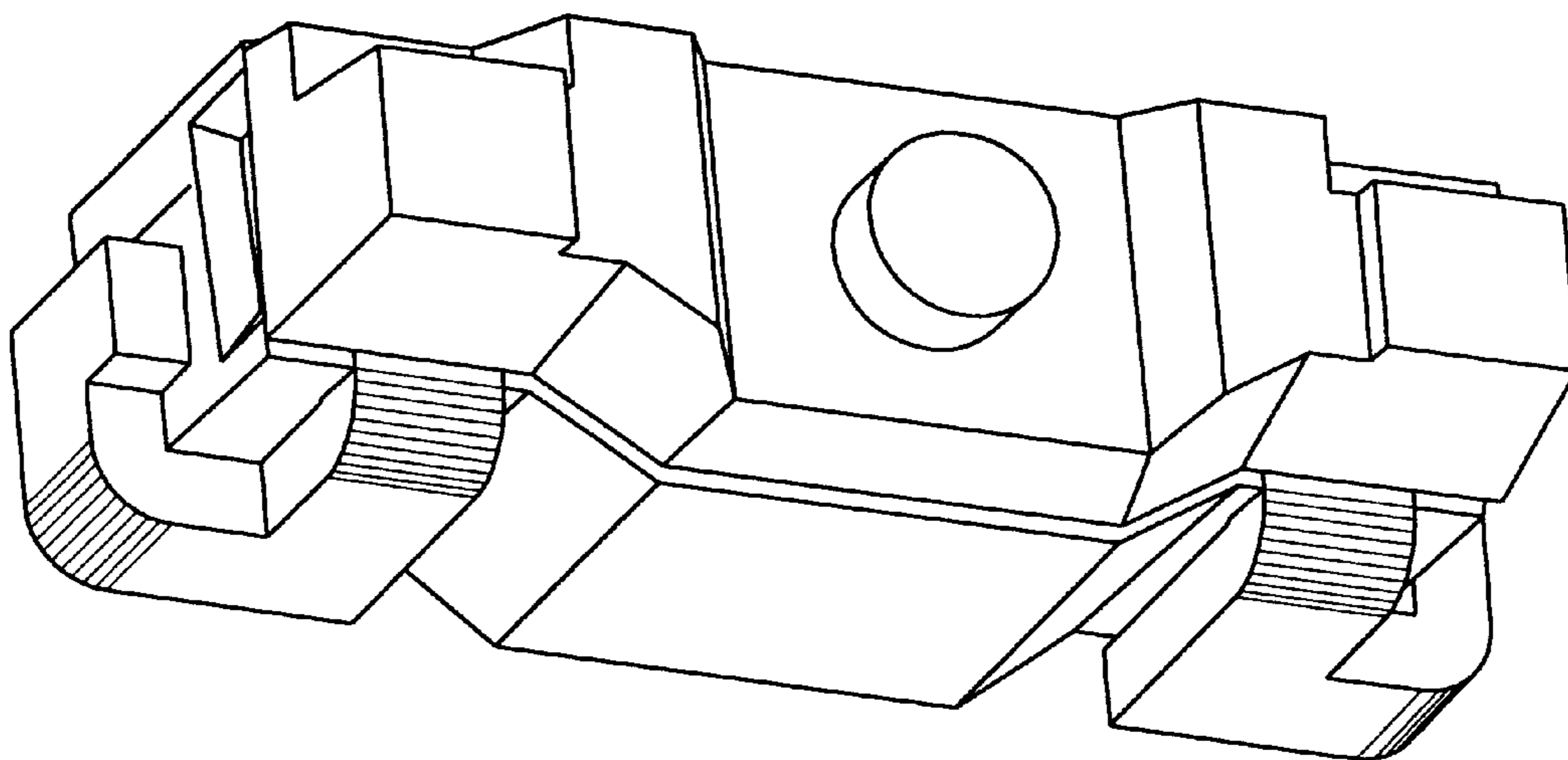


FIG. 2

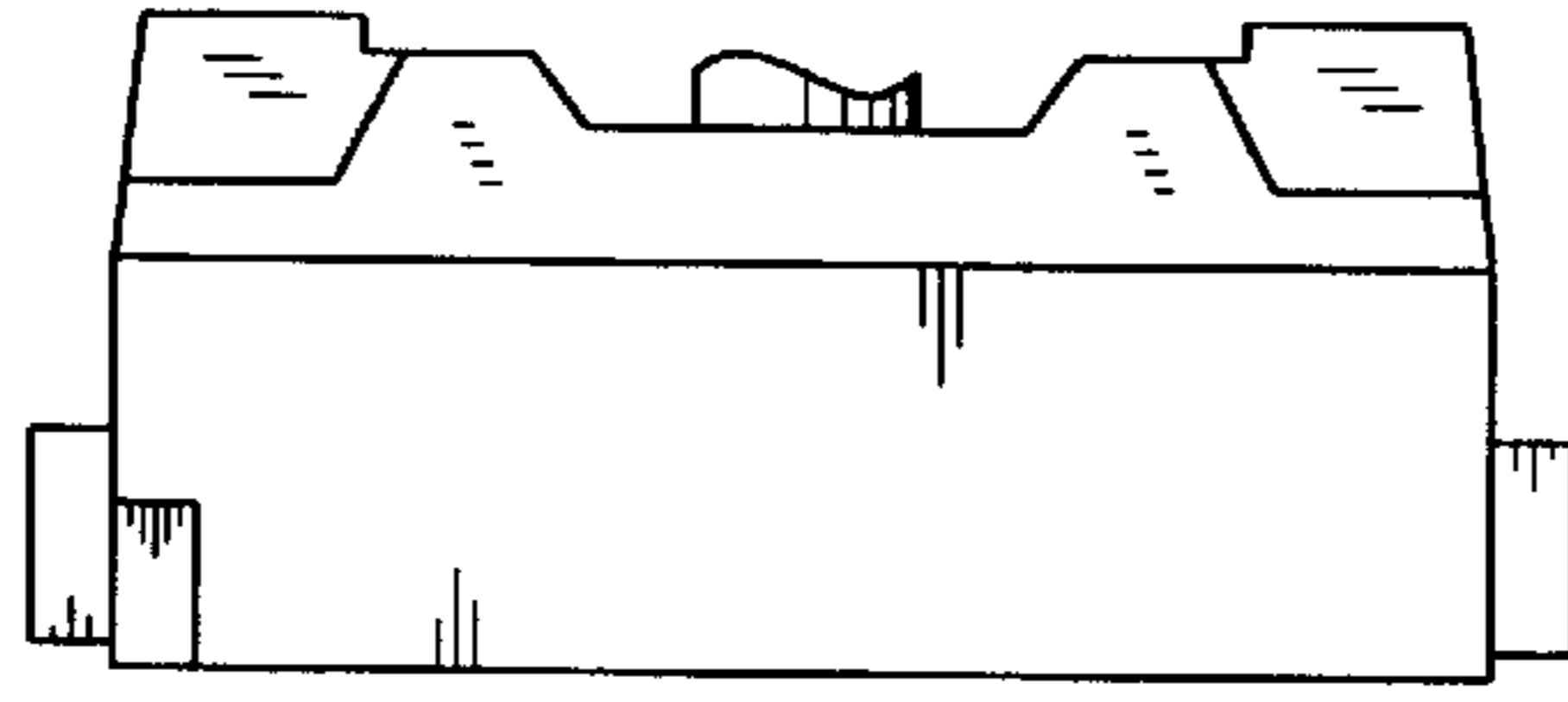


FIG. 3

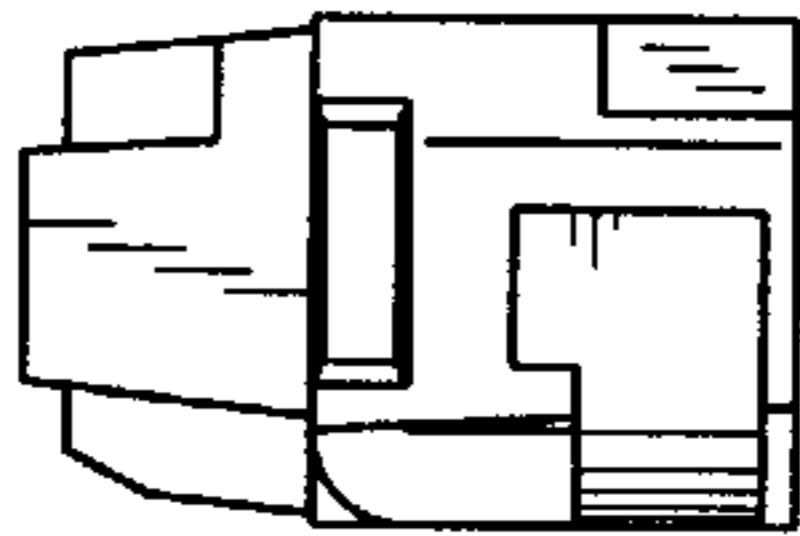


FIG. 4

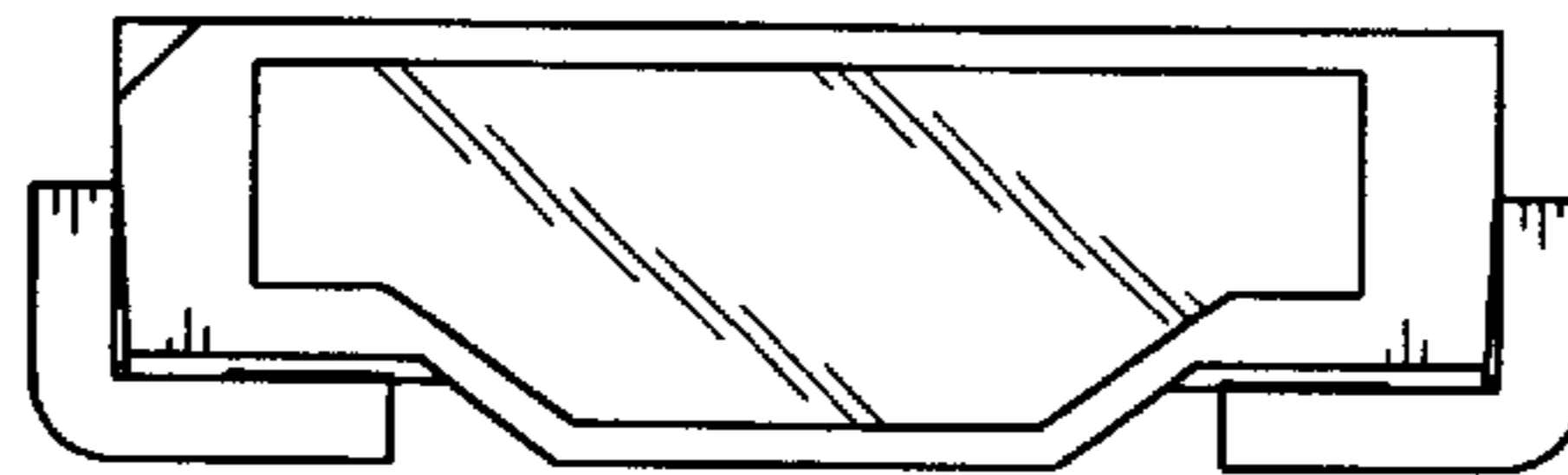


FIG. 5

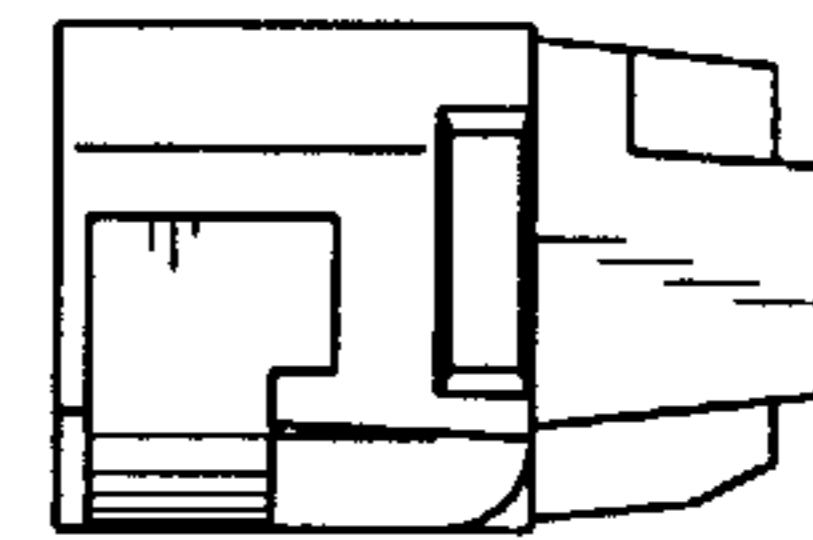


FIG. 6

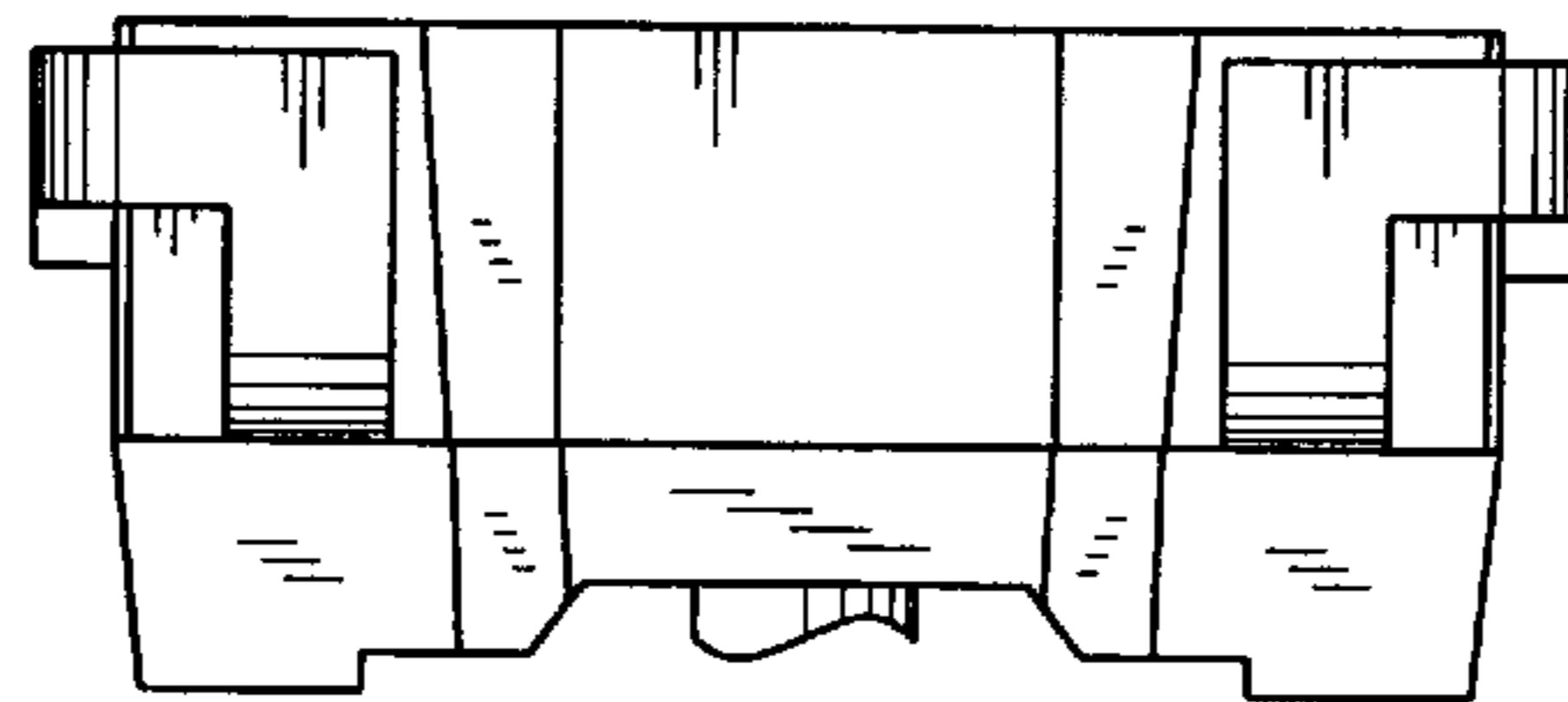


FIG. 7

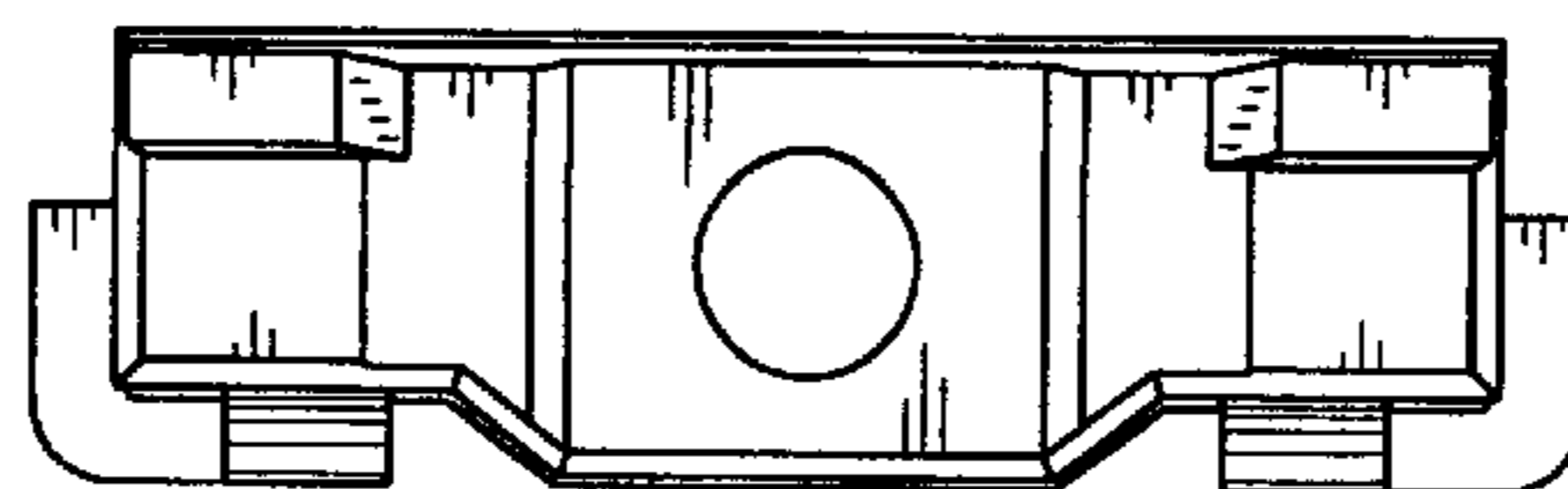


FIG. 8

UNITED STATES PATENT AND TRADEMARK OFFICE
CERTIFICATE OF CORRECTION

PATENT NO. : Des. 502,449 S
DATED : March 1, 2005
INVENTOR(S) : Masashi Ishida

Page 1 of 1

It is certified that error appears in the above-identified patent and that said Letters Patent is hereby corrected as shown below:

Title page.

Item [54], Title, "LIGHT EMITTING DIODE (LED)" should read
-- LIGHT EMITTING DIODE --.

Signed and Sealed this

Twenty-fourth Day of May, 2005

A handwritten signature in black ink on a light gray dotted background. The signature reads "Jon W. Dudas" in a cursive style.

JON W. DUDAS

Director of the United States Patent and Trademark Office