



US00D502448S

(12) **United States Design Patent**
Wu

(10) **Patent No.:** **US D502,448 S**
(45) **Date of Patent:** **** Mar. 1, 2005**

- (54) **ELECTRICAL CONNECTOR**
- (75) Inventor: **Jerry Wu, Irvine, CA (US)**
- (73) Assignee: **Hon Hai Precision Ind. Co., Ltd.,
Taipei Hsien (TW)**
- (**) Term: **14 Years**
- (21) Appl. No.: **29/207,171**
- (22) Filed: **Jun. 8, 2004**
- (51) **LOC (7) Cl.** **13-03**
- (52) **U.S. Cl.** **D13/147**
- (58) **Field of Search** **D13/147; 439/108,
439/607-610, 626, 629, 636**

- D434,386 S * 11/2000 Wu D13/147
- D455,402 S * 4/2002 Hu D13/147
- D465,202 S * 11/2002 Kubota D13/147

* cited by examiner

Primary Examiner—Stella Reid
Assistant Examiner—Selina Sikder
(74) *Attorney, Agent, or Firm*—Wei Te Chung

(57) **CLAIM**

The ornamental design for an electrical connector, as shown.

DESCRIPTION

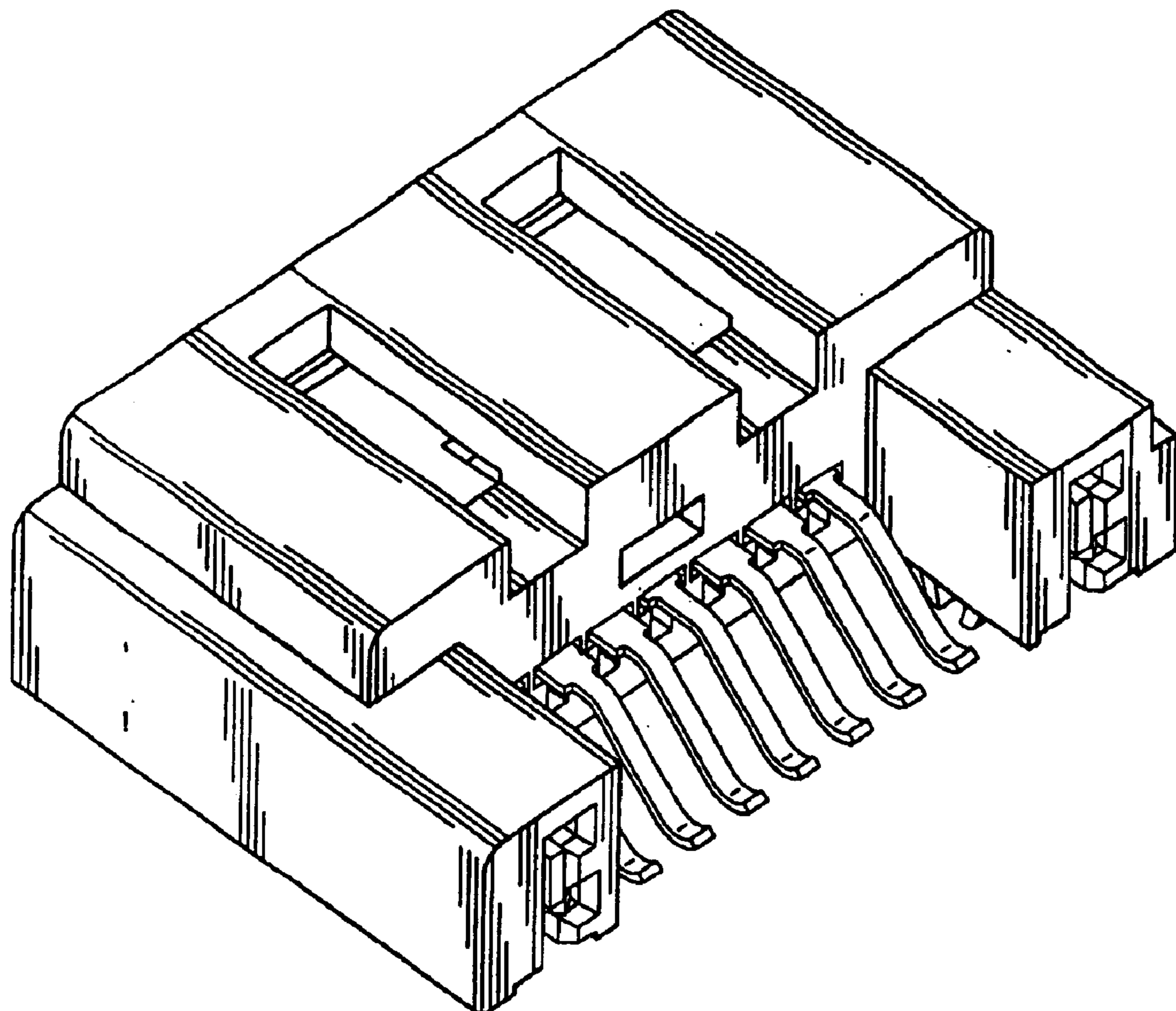
FIG. 1 is a front, top and right side perspective view of an electrical connector showing our new design; FIG. 2 is a front elevational view thereof; FIG. 3 is a rear elevational view thereof; FIG. 4 is a left side elevational view thereof; FIG. 5 is a right side elevational view thereof; FIG. 6 is a top plan view thereof; and, FIG. 7 is a bottom plan view thereof.

(56) **References Cited**

U.S. PATENT DOCUMENTS

- 5,160,275 A * 11/1992 Nakamura et al. 439/328
- D410,896 S * 6/1999 Yotsutani et al. D13/147
- D427,567 S * 7/2000 Nishio et al. D13/147

1 Claim, 7 Drawing Sheets



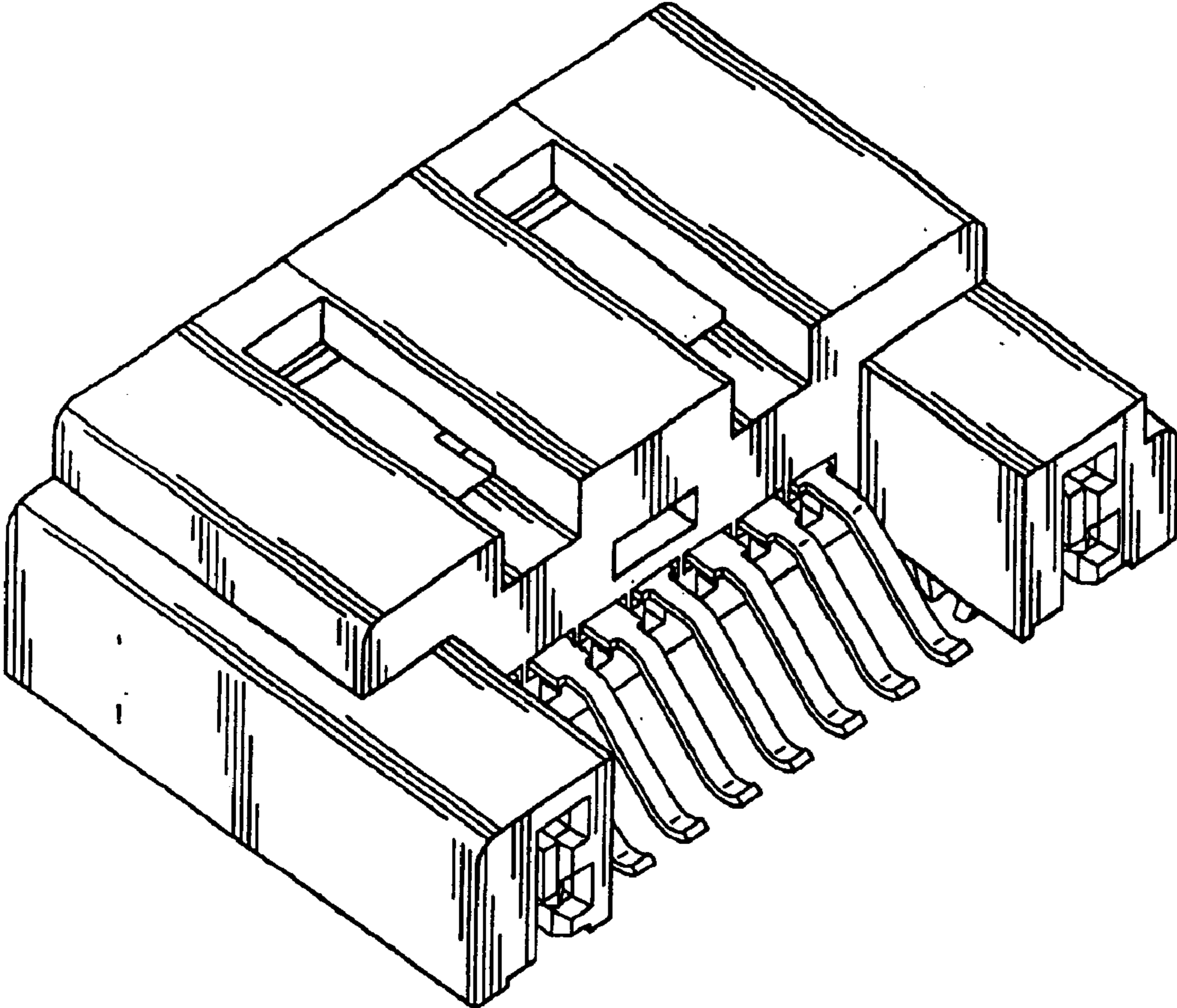


FIG. 1

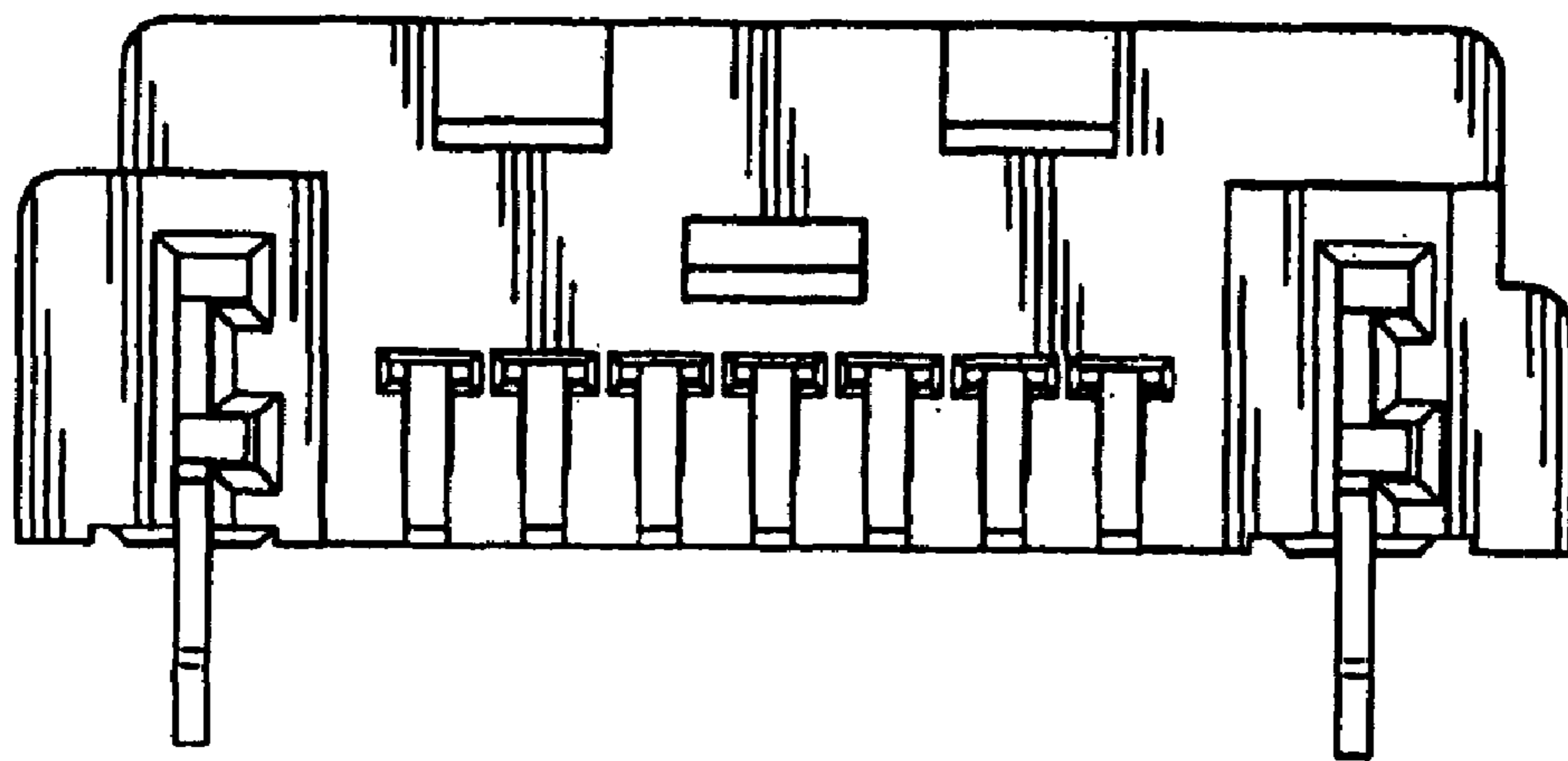


FIG. 2

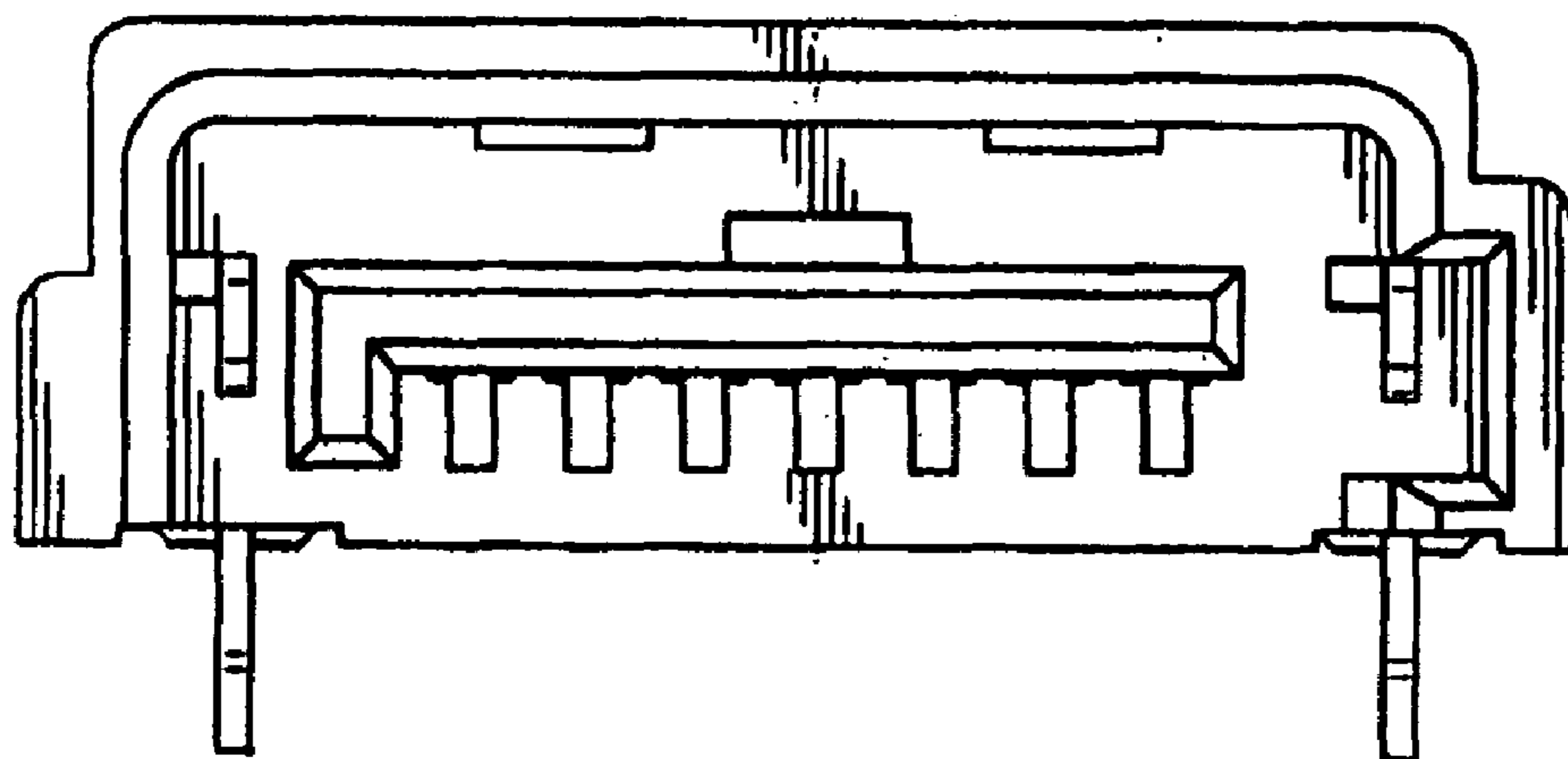


FIG. 3

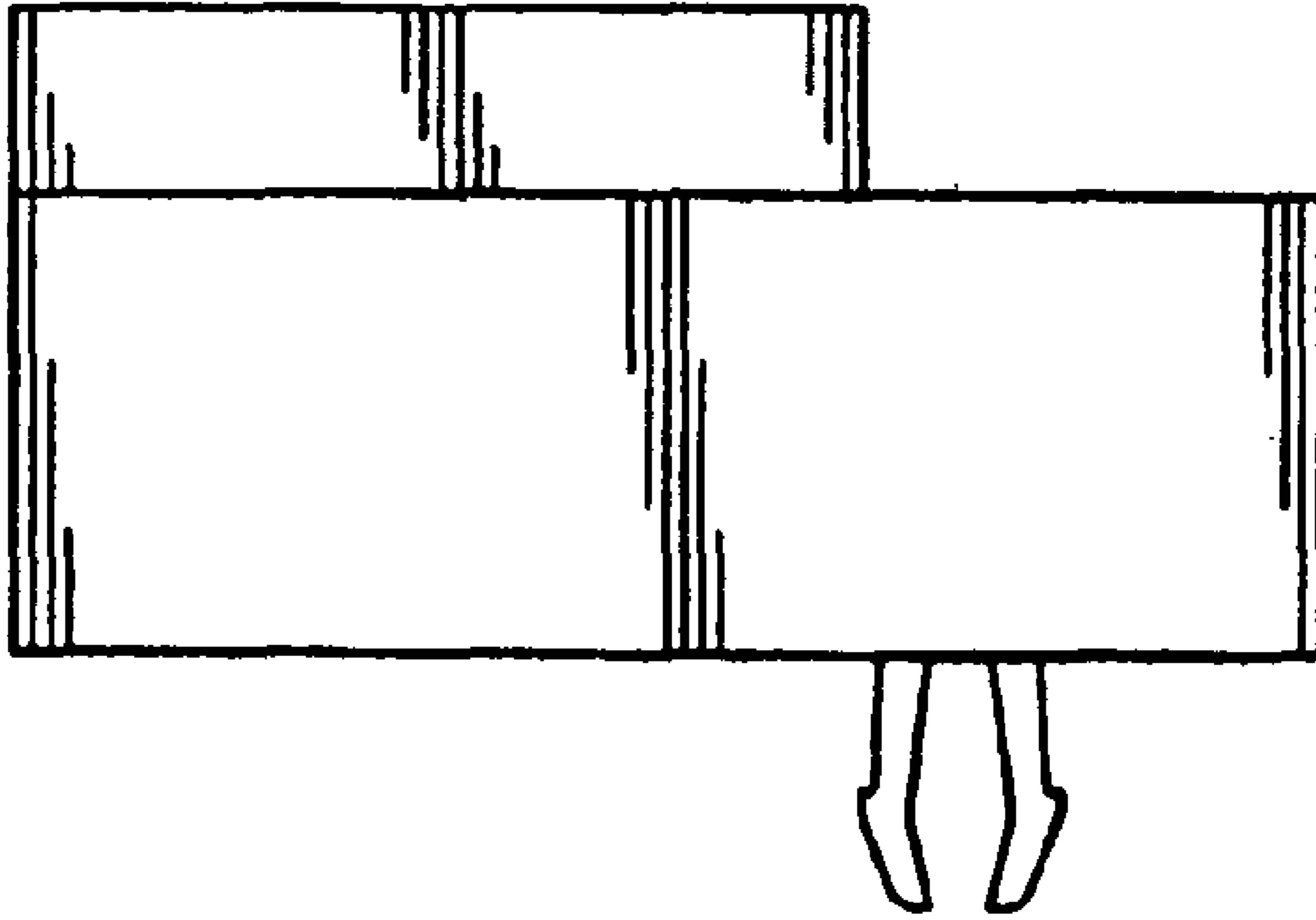


FIG. 4

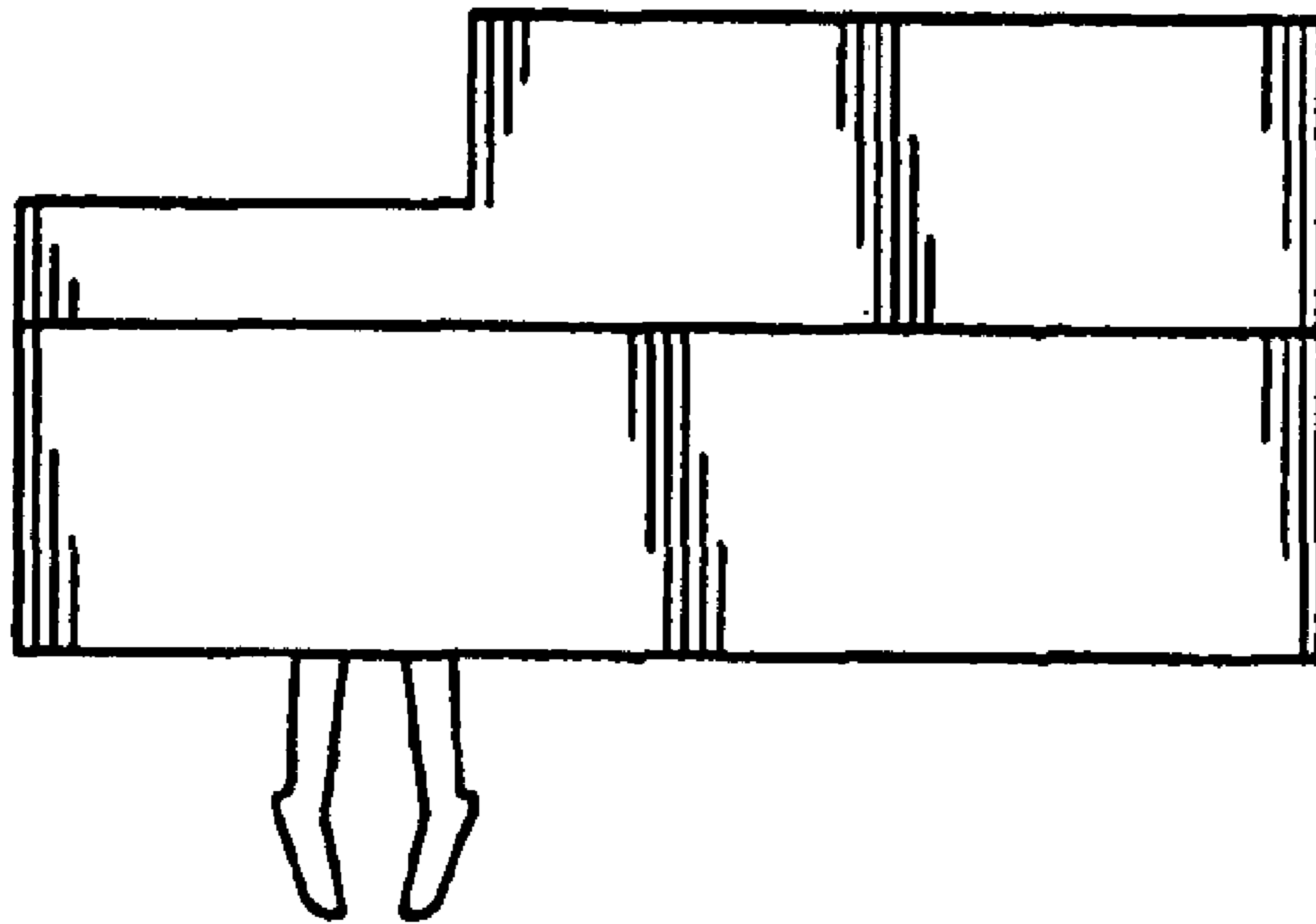


FIG. 5

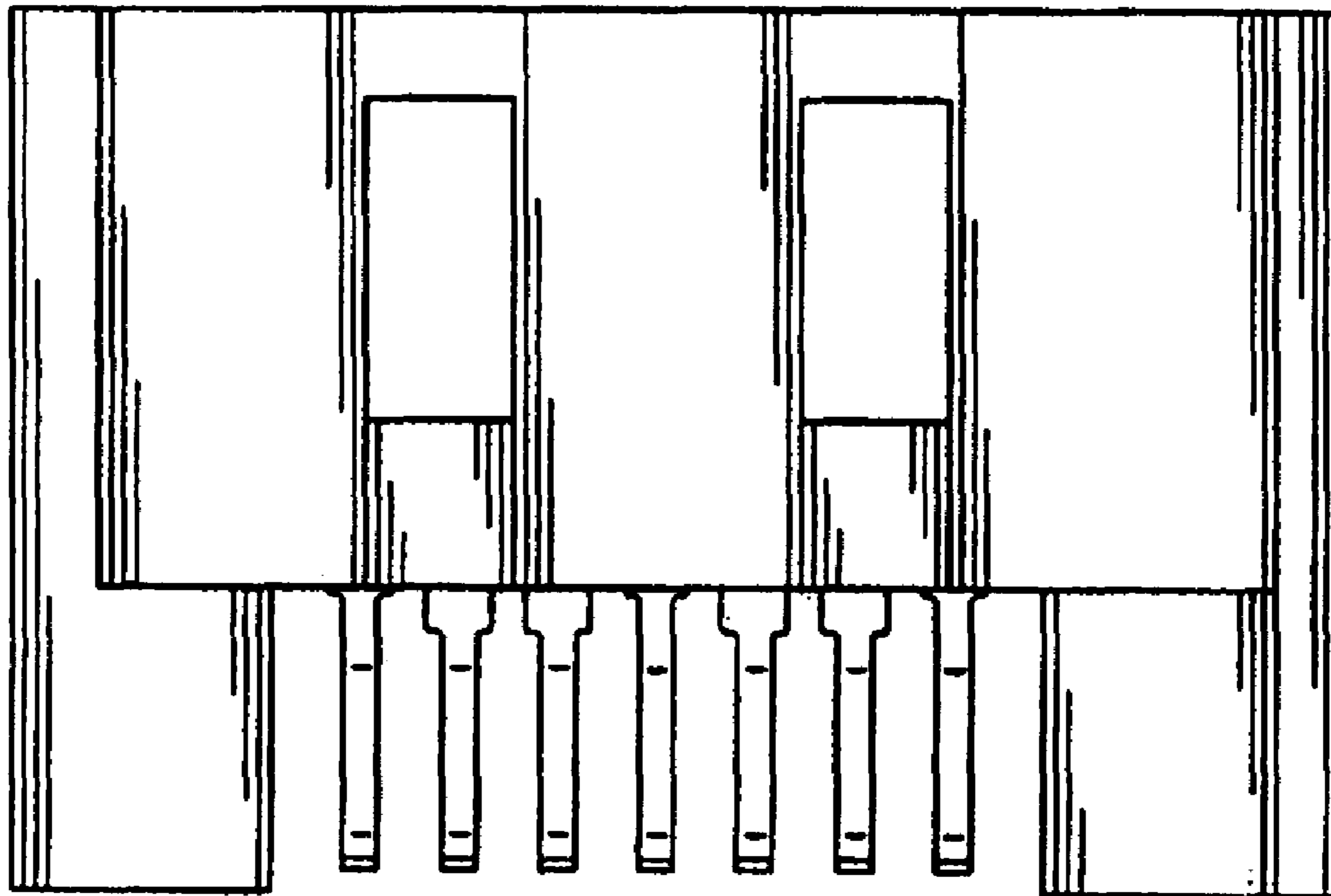


FIG. 6

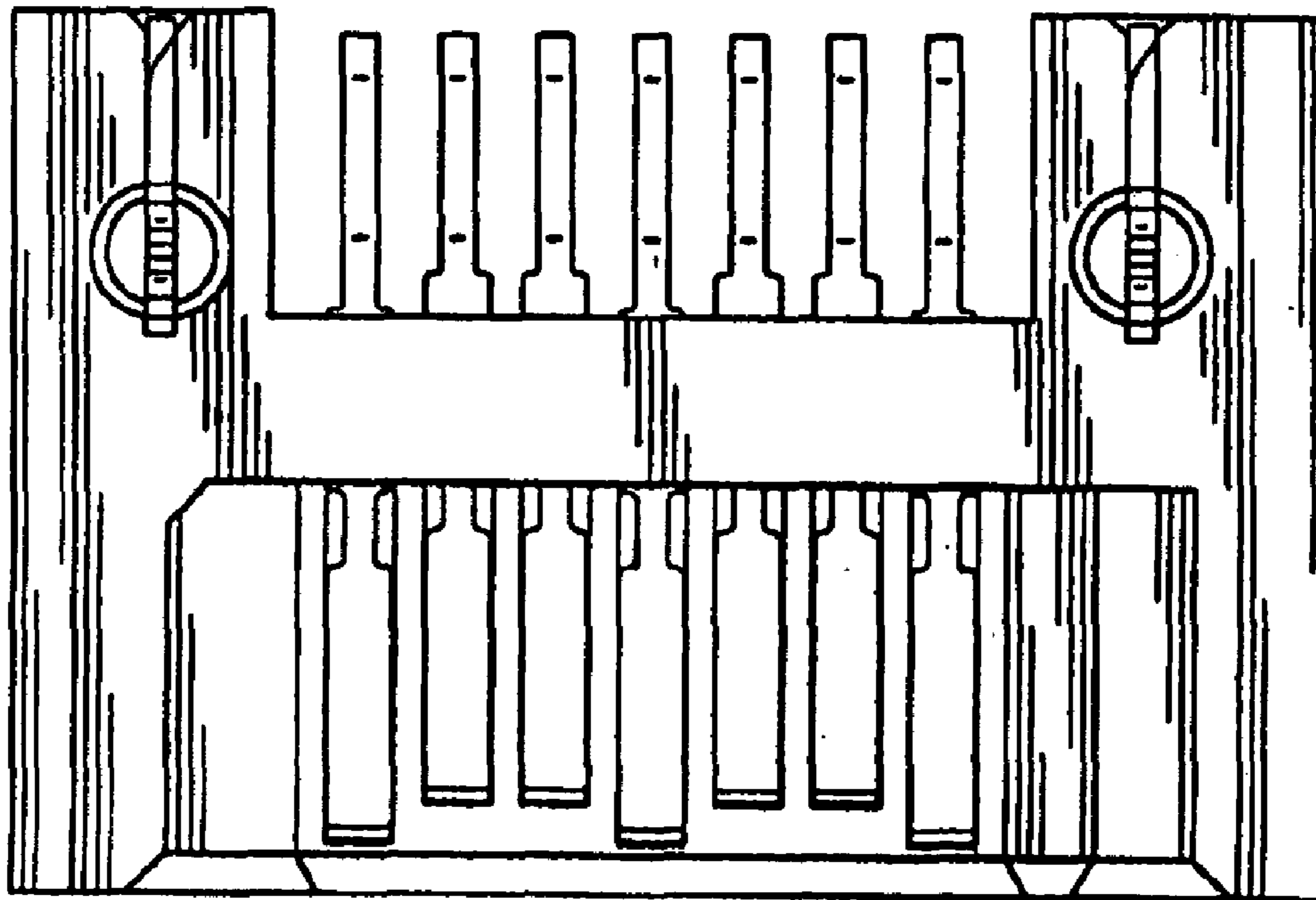


FIG. 7