

US00D502447S

(12) **United States Design Patent**  
**Watanabe et al.**

(10) **Patent No.:** **US D502,447 S**  
(45) **Date of Patent:** **\*\* Mar. 1, 2005**

(54) **OPTICAL CONNECTOR PLUG**  
(75) Inventors: **Yuji Watanabe**, Yokohama (JP);  
**Takashi Tsukamoto**, Yokohama (JP);  
**Tsuyoshi Hisano**, Kadoma (JP);  
**Katsunori Kitagawa**, Kadoma (JP);  
**Kenji Furufuji**, Kadoma (JP);  
**Yasusuke Hioki**, Tokyo (JP); **Mikio Hojo**, Tokyo (JP); **Katsuyuki Nakano**, Tokyo (JP)

(73) Assignees: **Matsushita Electric Works, Ltd.**, Osaka (JP); **Sanwa Denki Kogyo Co., Ltd.**, Tokyo (JP)

(\*\*) Term: **14 Years**

(21) Appl. No.: **29/157,442**

(22) Filed: **Mar. 20, 2002**

(30) **Foreign Application Priority Data**

Sep. 21, 2001 (JP) ..... 2001-027840

(51) **LOC (7) Cl.** ..... **13-03**

(52) **U.S. Cl.** ..... **D13/133**

(58) **Field of Search** ..... D13/133, 146,  
D13/147; 385/56, 69, 58-60, 84, 89, 92,  
137, 139; 439/493, 351, 354-355, 357-358,  
577, 594, 598, 681, 752

(56) **References Cited**

**U.S. PATENT DOCUMENTS**

D279,669 S	*	7/1985	Robinson	.....	D13/133
4,601,506 A	*	7/1986	Hillson	.....	294/82.14
5,104,243 A	*	4/1992	Harding	.....	385/84
5,166,995 A	*	11/1992	Briggs et al.	.....	385/58
5,167,542 A	*	12/1992	Haitmanek	.....	439/681
5,760,139 A		6/1998	Koikie et al.		
5,783,636 A		7/1998	Koike et al.		
5,898,813 A	*	4/1999	Beier	.....	385/139
5,916,971 A		6/1999	Koike et al.		
D417,192 S	*	11/1999	Yip et al.	.....	D13/133
6,071,441 A		6/2000	Koganezawa et al.		
6,074,511 A		6/2000	Takano et al.		
6,111,062 A		8/2000	Shirota et al.		

D431,023 S	*	9/2000	Yip et al.	.....	D13/133
6,166,125 A		12/2000	Sugiyama et al.		
6,221,987 B1		4/2001	Sugiyama		
6,225,382 B1		5/2001	Matsukura et al.		
6,271,312 B1		8/2001	Koike et al.		
6,448,452 B2		9/2002	Kashiwagi et al.		
D475,013 S	*	5/2003	Grimm	.....	D13/133
2003/0068135 A1	*	4/2003	Watanabe et al.	.....	385/53

\* cited by examiner

*Primary Examiner*—Stella Reid

*Assistant Examiner*—Daniel Bui

(74) *Attorney, Agent, or Firm*—Oblon, Spivak, McClelland, Maier & Neustadt, P.C.

(57) **CLAIM**

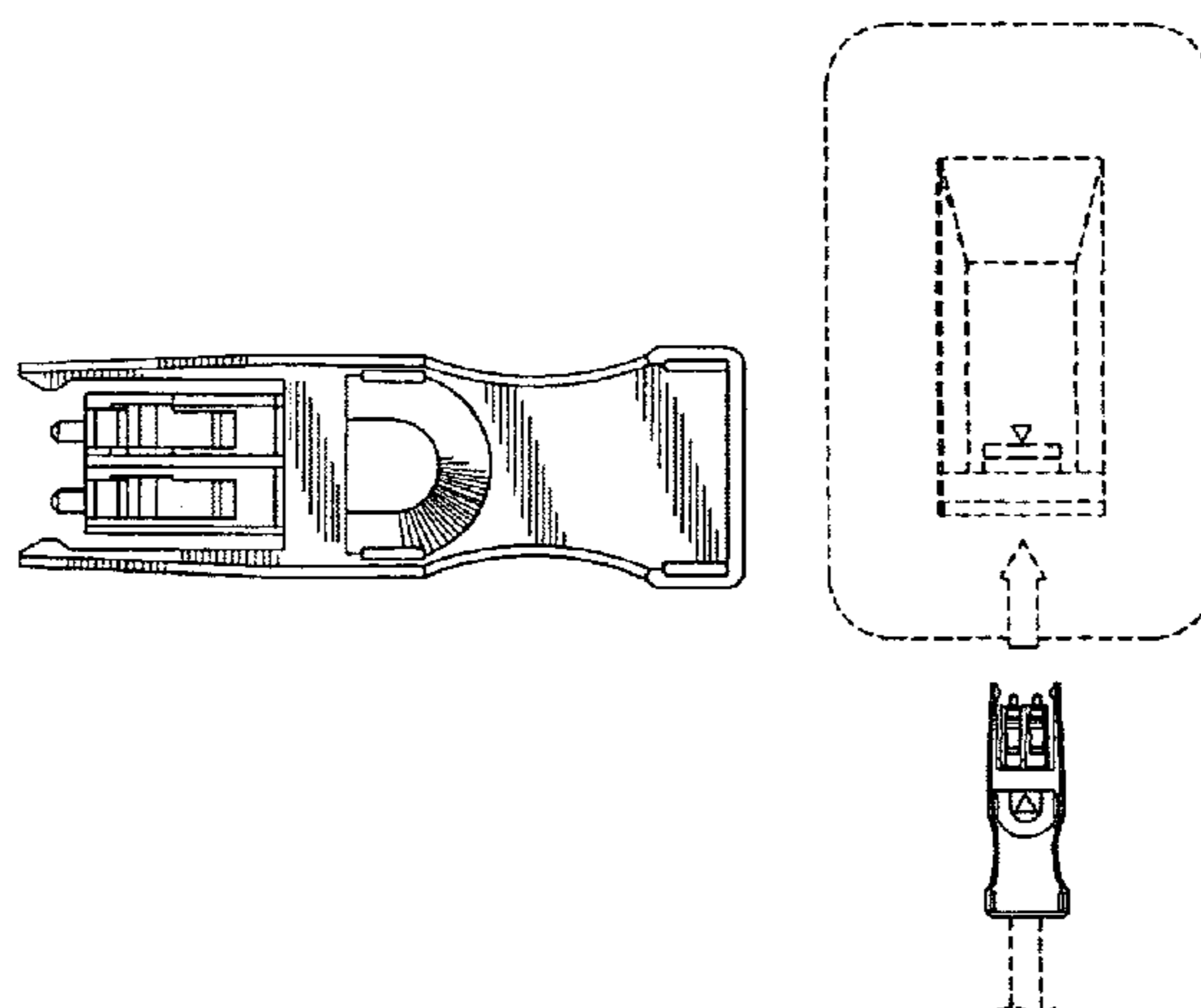
The ornamental design for an optical connector plug, as shown and described.

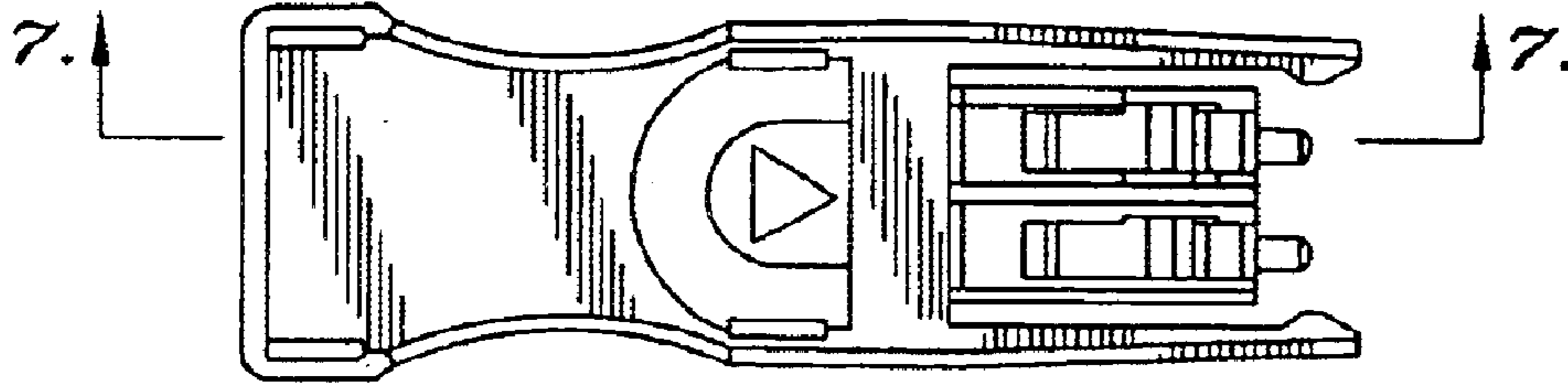
**DESCRIPTION**

FIG. 1 is a front elevational view of an optical connector plug, showing our new design;  
 FIG. 2 is a rear view thereof;  
 FIG. 3 is a top plan view thereof;  
 FIG. 4 is a bottom plan view thereof;  
 FIG. 5 is a left side elevational view thereof;  
 FIG. 6 is a right side elevational view thereof;  
 FIG. 7 is a cross-sectional view taking along line 7—7 of FIG. 1;  
 FIG. 8 is a cross-sectional view taking along line 8—8 of FIG. 6;  
 FIG. 9 is a schematic side elevation view showing an optical connector plug in used condition, on a reduced scale, and before insertion;  
 FIG. 10 is a schematic front elevation view showing an optical connector plug in used condition, on a reduced scale, and before insertion;  
 FIG. 11 is a schematic side elevation view showing an optical connector plug in used condition, on a reduced scale, and after insertion; and,  
 FIG. 12 is a schematic front elevation view showing an optical connector plug in used condition, on a reduced scale, and after insertion.

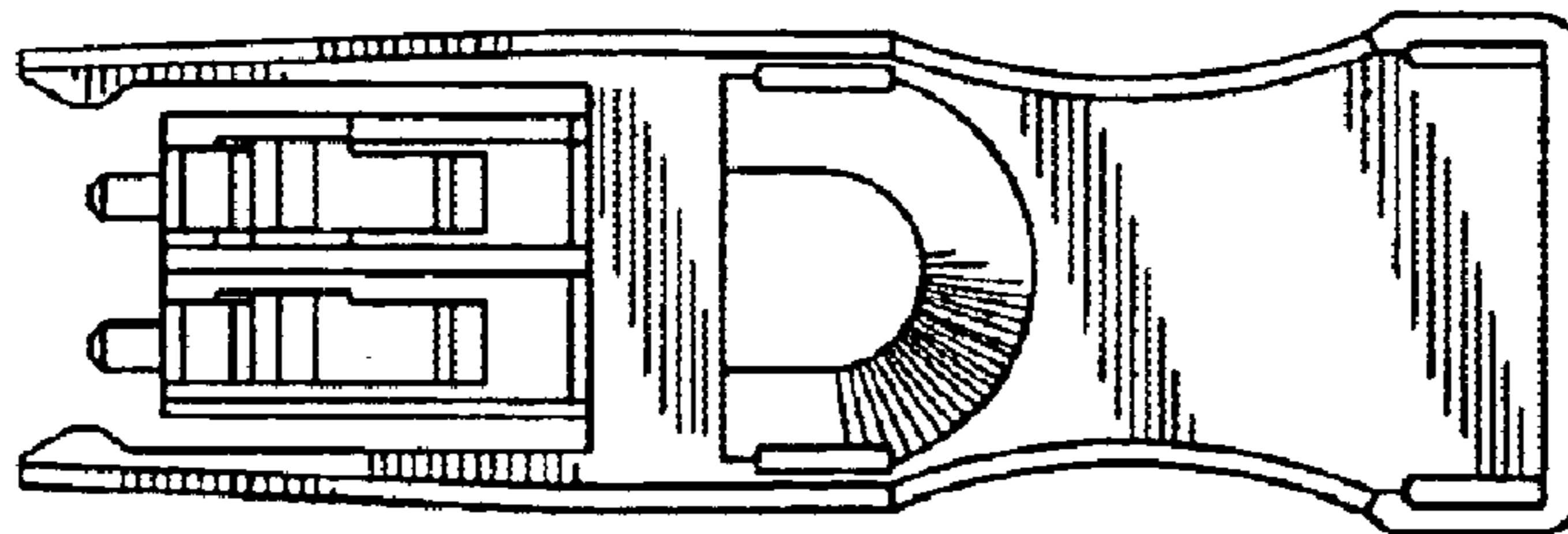
The broken line showing of the environment is for illustrative purposes only and forms no part of the claimed design.

**1 Claim, 3 Drawing Sheets**

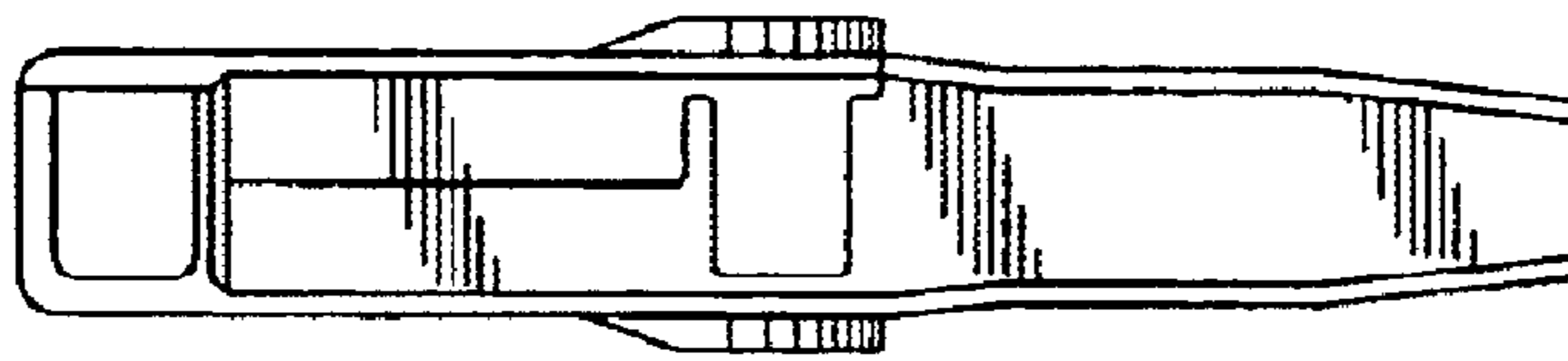




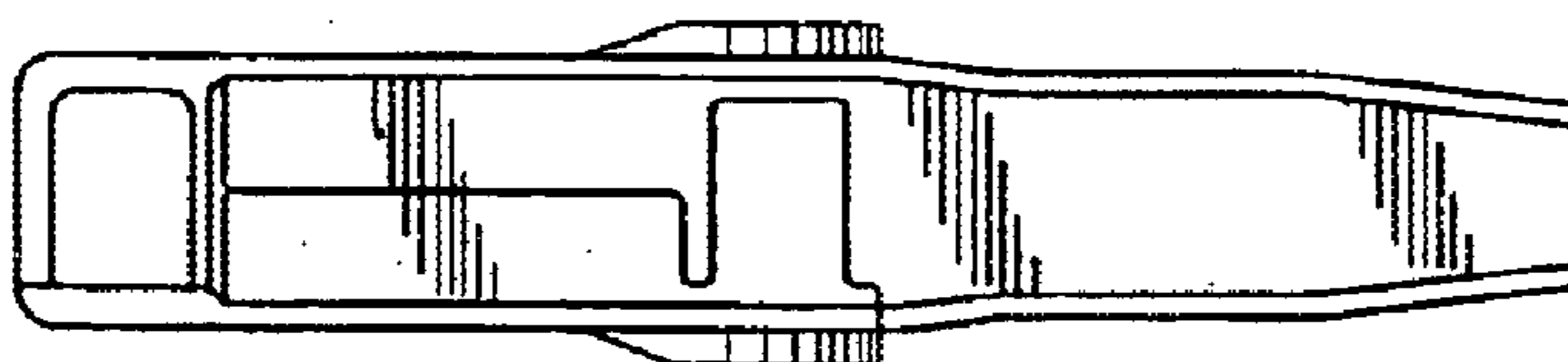
*FIG. 1*



*FIG. 2*



*FIG. 3*



*FIG. 4*

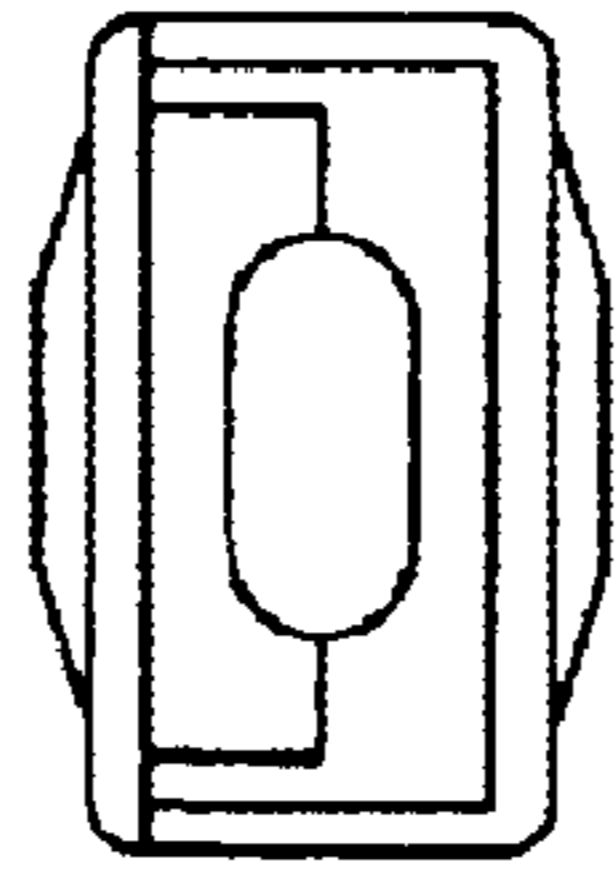


FIG. 5

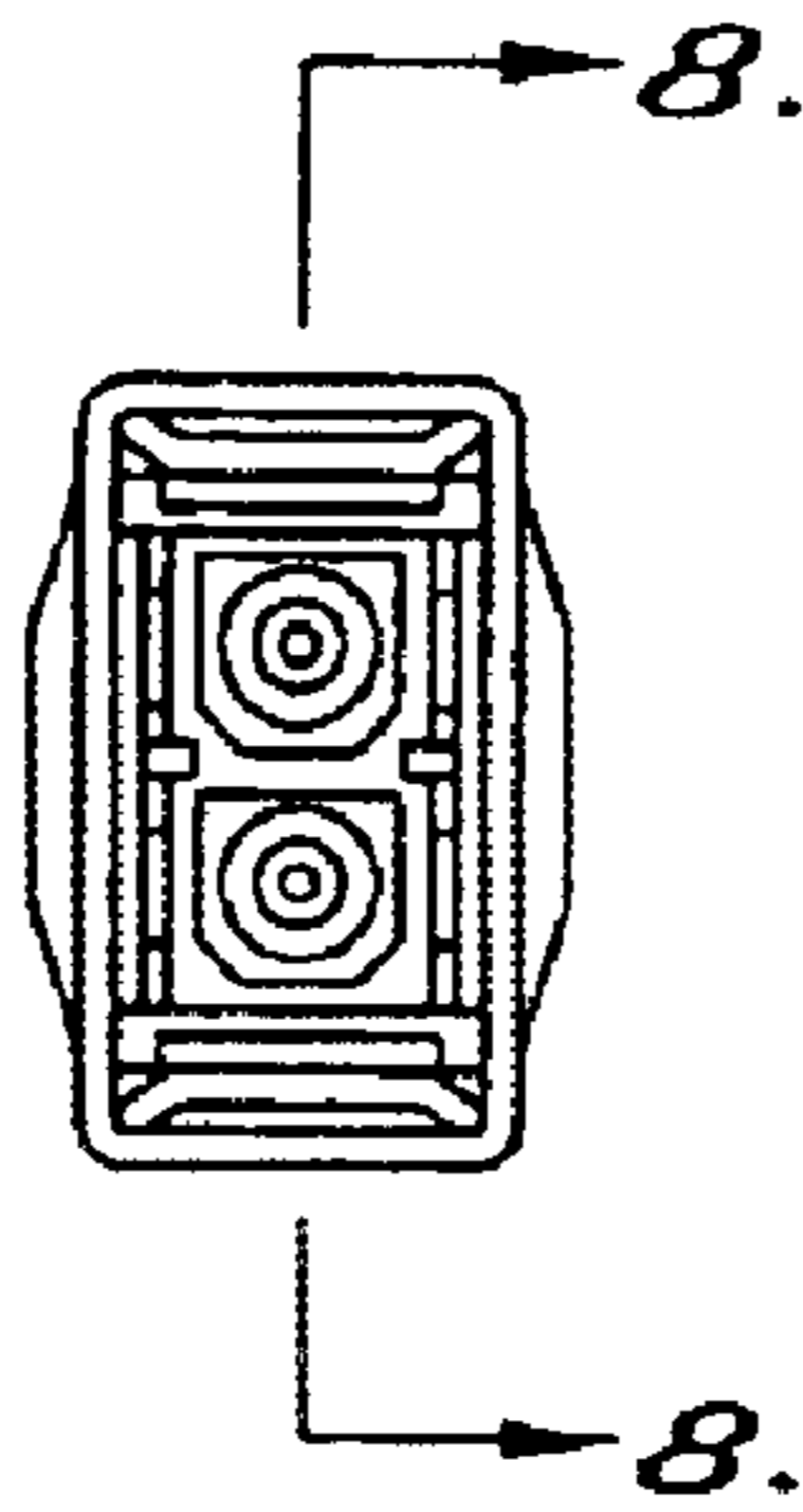


FIG. 6

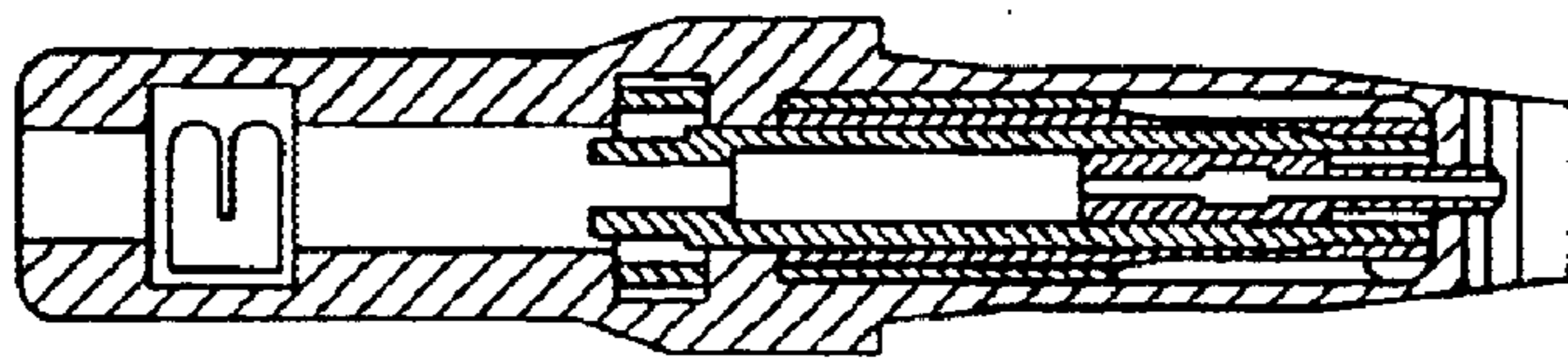


FIG. 7

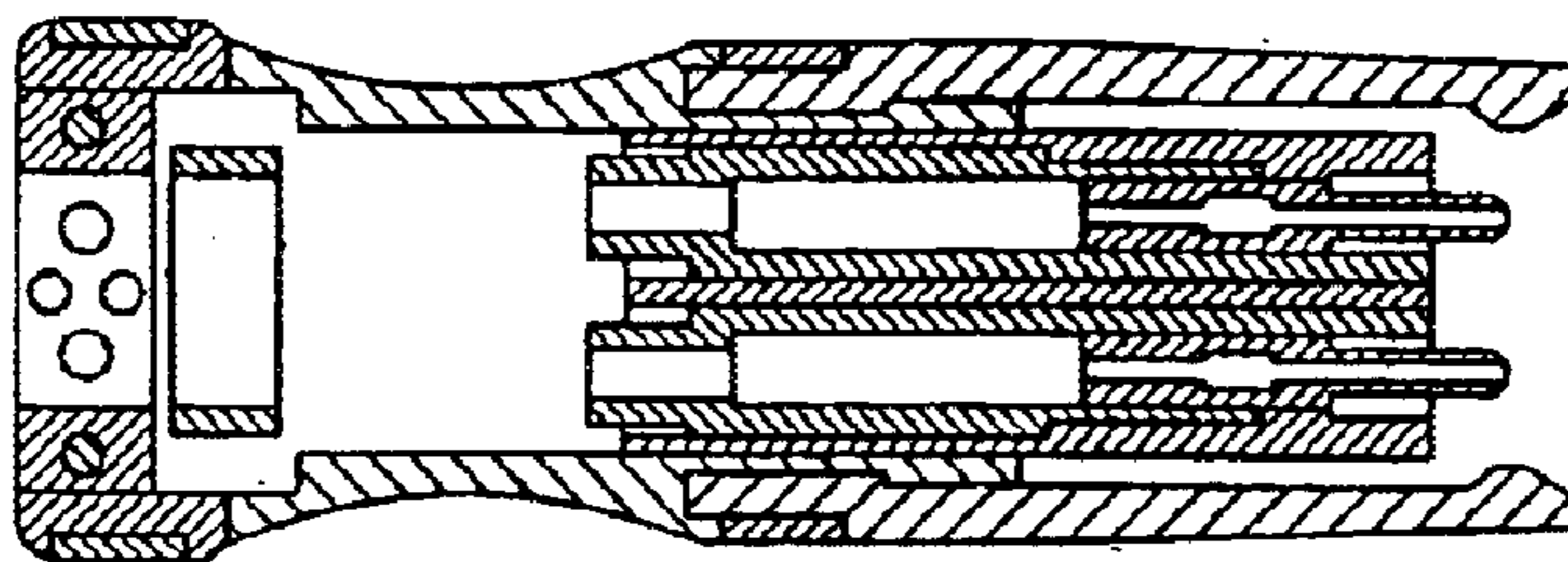


FIG. 8



FIG. 9

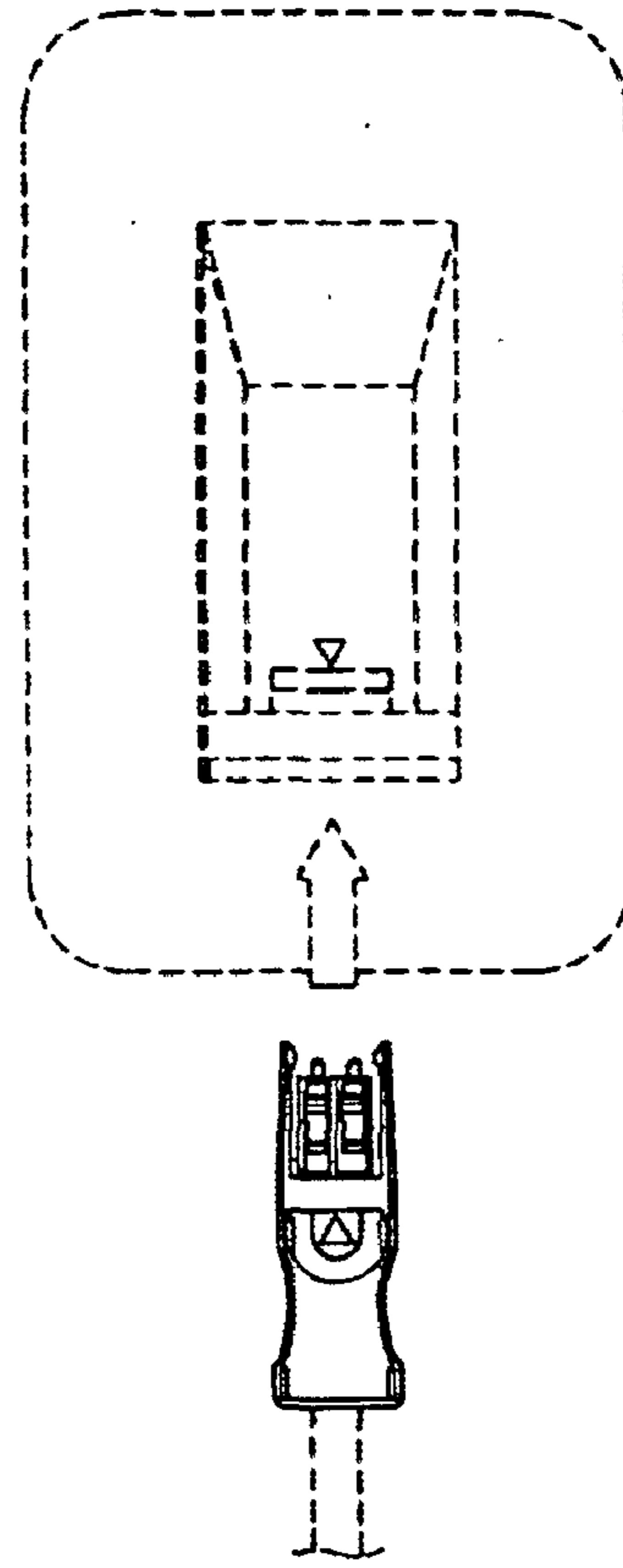


FIG. 10

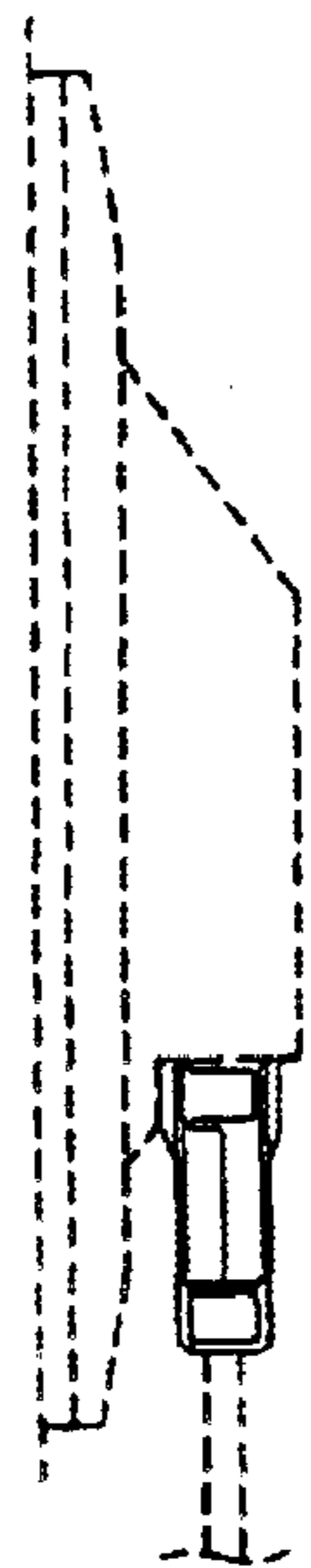


FIG. 11

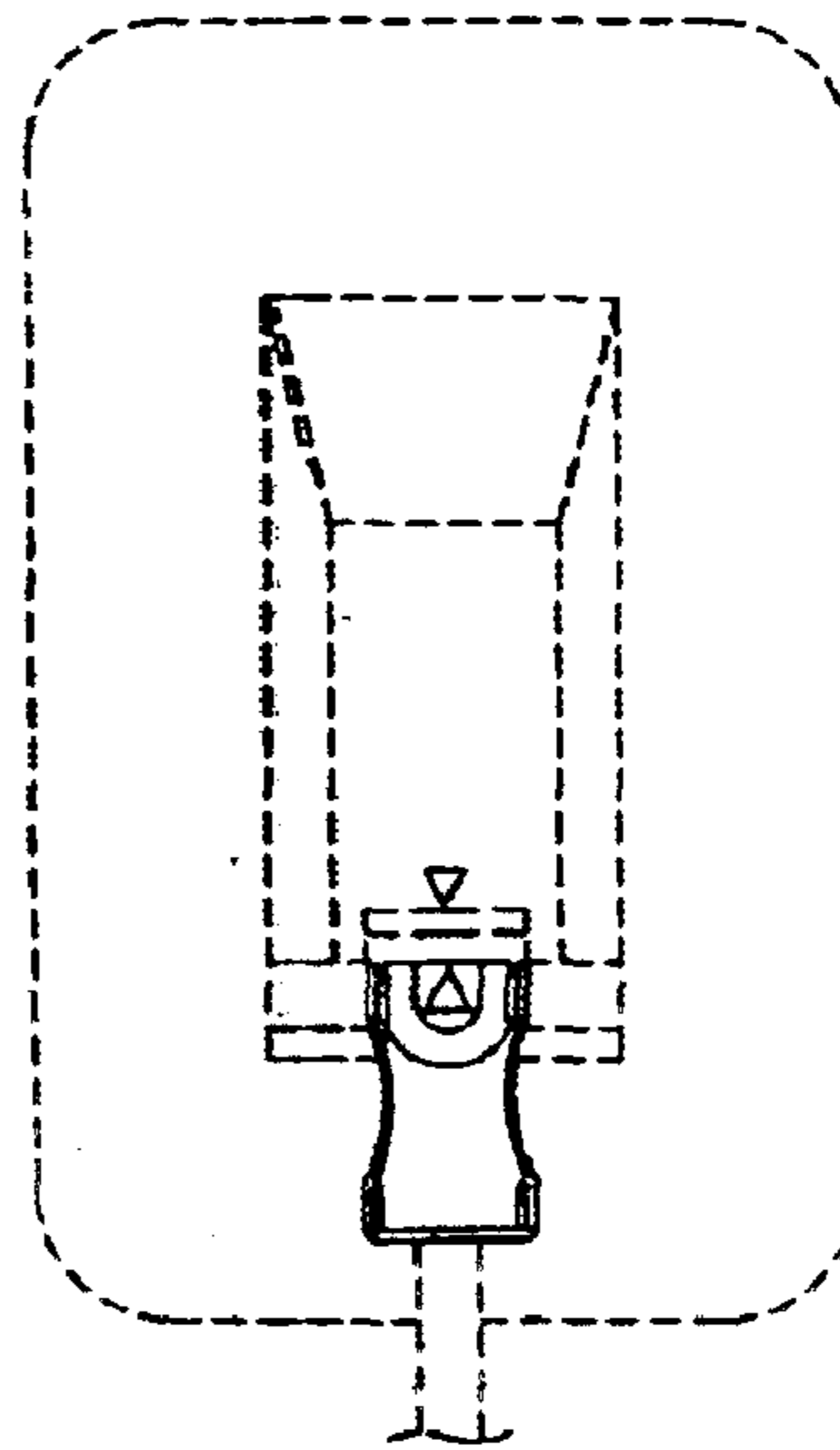


FIG. 12