

US00D502446S

(12) **United States Design Patent** (10) **Patent No.:** **US D502,446 S**  
**Wilson et al.** (45) **Date of Patent:** **\*\* Mar. 1, 2005**

(54) **ROTATING LASER**

(75) Inventors: **Duward Wilson**, Kankakee, IL (US);  
**Russell Forbes**, Chicago, IL (US);  
**Gregory Foster**, Chicago, IL (US)

(73) Assignee: **Chicago Steel Tape Company**,  
Waukegan, IL (US)

(\*\*) Term: **14 Years**

(21) Appl. No.: **29/160,533**

(22) Filed: **May 10, 2002**

(51) **LOC (7) Cl.** ..... **13-02**

(52) **U.S. Cl.** ..... **D13/101**

(58) **Field of Search** ..... D13/101, 110,  
D13/112, 114, 118, 189, 199; D10/66, 65;  
33/DIG. 21; 356/138, 141.1, 141.3

(56) **References Cited**

**U.S. PATENT DOCUMENTS**

3,936,197 A	2/1976	Aldrink et al.	
4,062,634 A	12/1977	Rando et al.	
4,679,937 A	7/1987	Cain et al.	
5,644,850 A	7/1997	Costales	
5,680,208 A	10/1997	Butler et al.	
D396,817 S	* 8/1998	Webb	D10/74
D411,809 S	* 7/1999	Wakabayashi	D10/66
D416,856 S	* 11/1999	Onose	D13/101
5,983,510 A	11/1999	Wu et al.	
D417,633 S	* 12/1999	Sato et al.	D10/66
D420,972 S	* 2/2000	Brecher et al.	D13/101
D429,481 S	* 8/2000	Ishii	D13/101
D461,135 S	* 8/2002	Watson et al.	D10/69
D469,369 S	* 1/2003	Durkin	D10/69
D469,738 S	* 2/2003	Ishii	D13/101

**OTHER PUBLICATIONS**

Levelite Technology Inc. laser level literature.  
Hilti PR Series laser level literature.  
Sokkia LP21-LP22 laser level literature.

Bosch BL 50 R laser level literature.  
Bosch BL 100 VHR laser level literature.  
Topcon laser level brochure.  
Topcon RL-VH3 laser level literature.  
Topcon RL-H1S/ H2S laser level literature.  
Topcon RL-VH laser level literature.  
Tocon RL-H/RL-60 Series laser level literature.  
Topcon RL-VH3 Series laser level literature.  
Pro Shot laser level literature.  
David White Auto Laser Level Literature.  
Laser Alignment LB-100 Laser Level Literature.  
PLS3 / PLS5 laser system.

\* cited by examiner

*Primary Examiner*—Stella Reid  
*Assistant Examiner*—Daniel Bui  
(74) *Attorney, Agent, or Firm*—Barnes & Thornburg; Mark J. Nahnsen

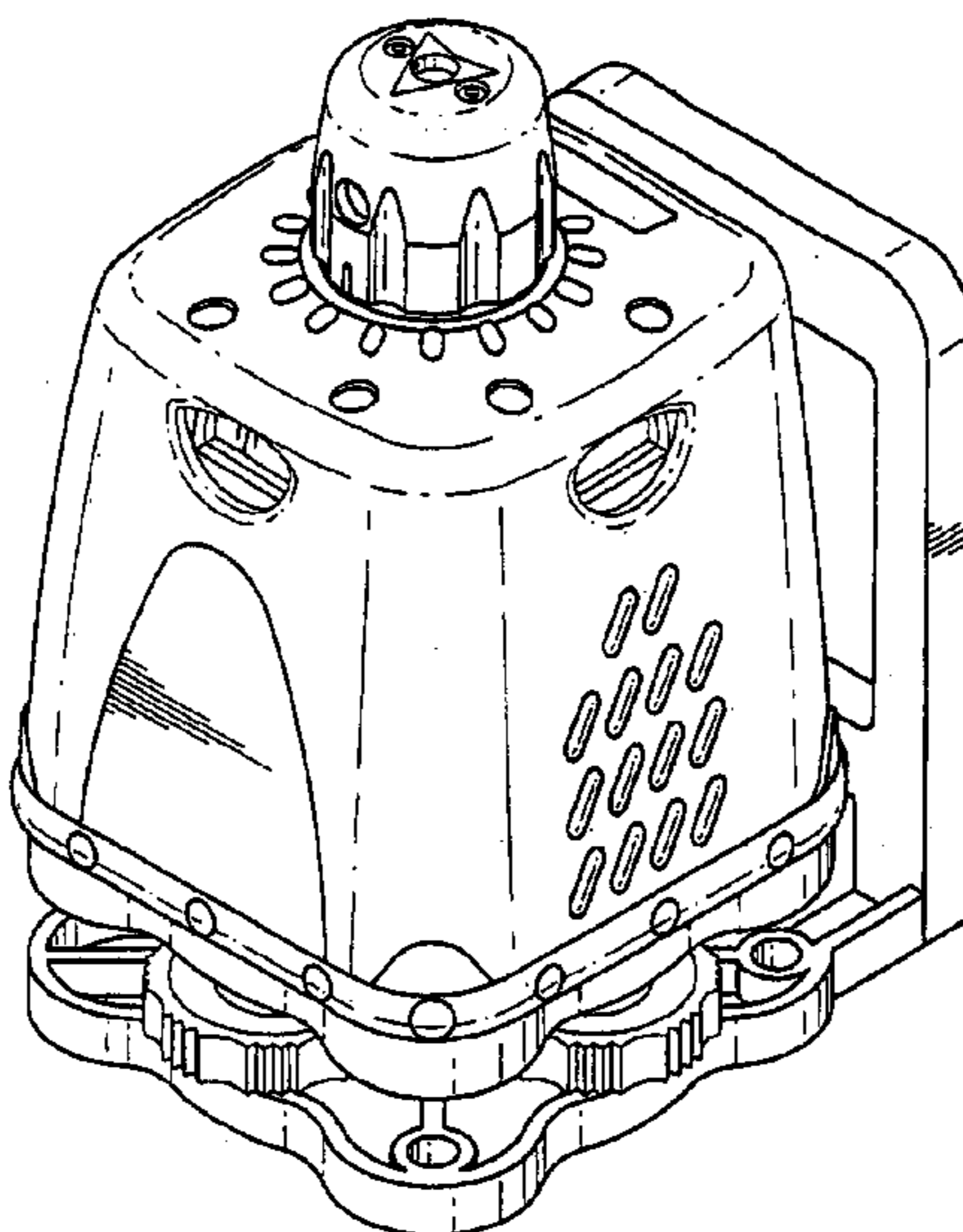
(57) **CLAIM**

The ornamental design for a rotating laser, as shown and described.

**DESCRIPTION**

FIG. 1 is a perspective view of a new design for a rotating laser according to our invention illustrating the front and right view thereof;  
FIG. 2 is a top view thereof;  
FIG. 3 is a front view thereof;  
FIG. 4 is a right view thereof;  
FIG. 5 is another perspective view illustrating the right and rear view thereof; and,  
FIG. 6 is a left view thereof.

**1 Claim, 3 Drawing Sheets**



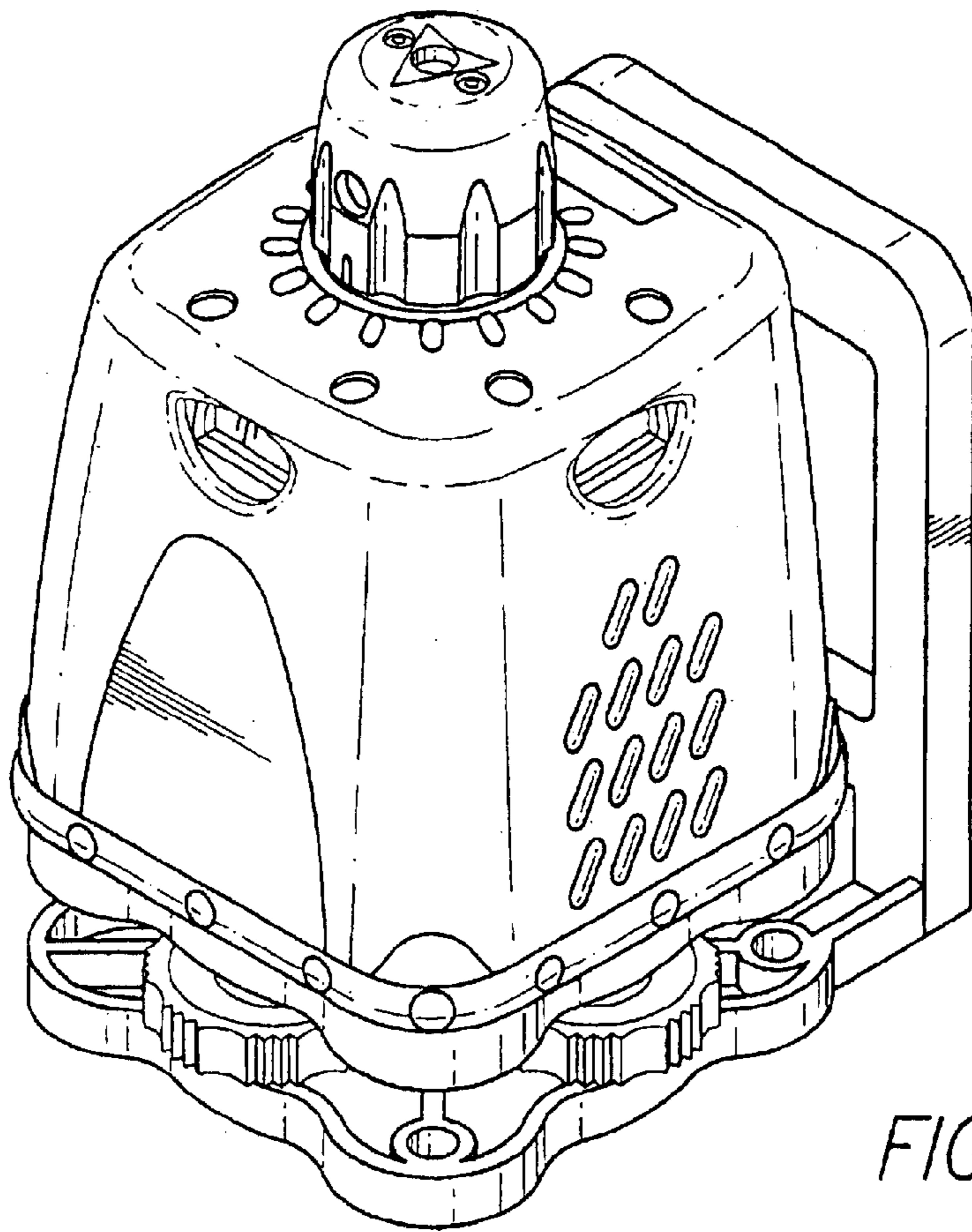


FIG. 1

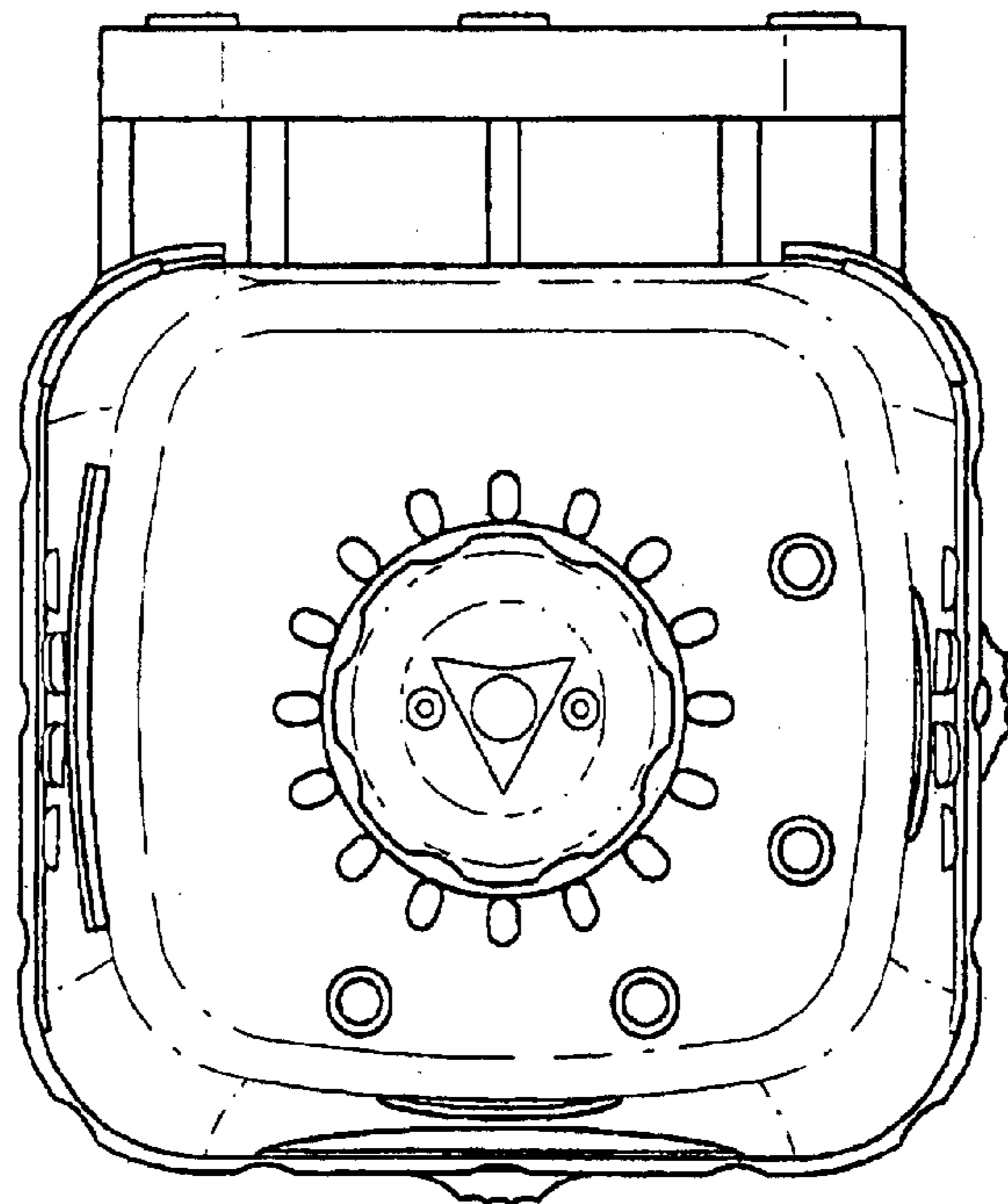


FIG. 2

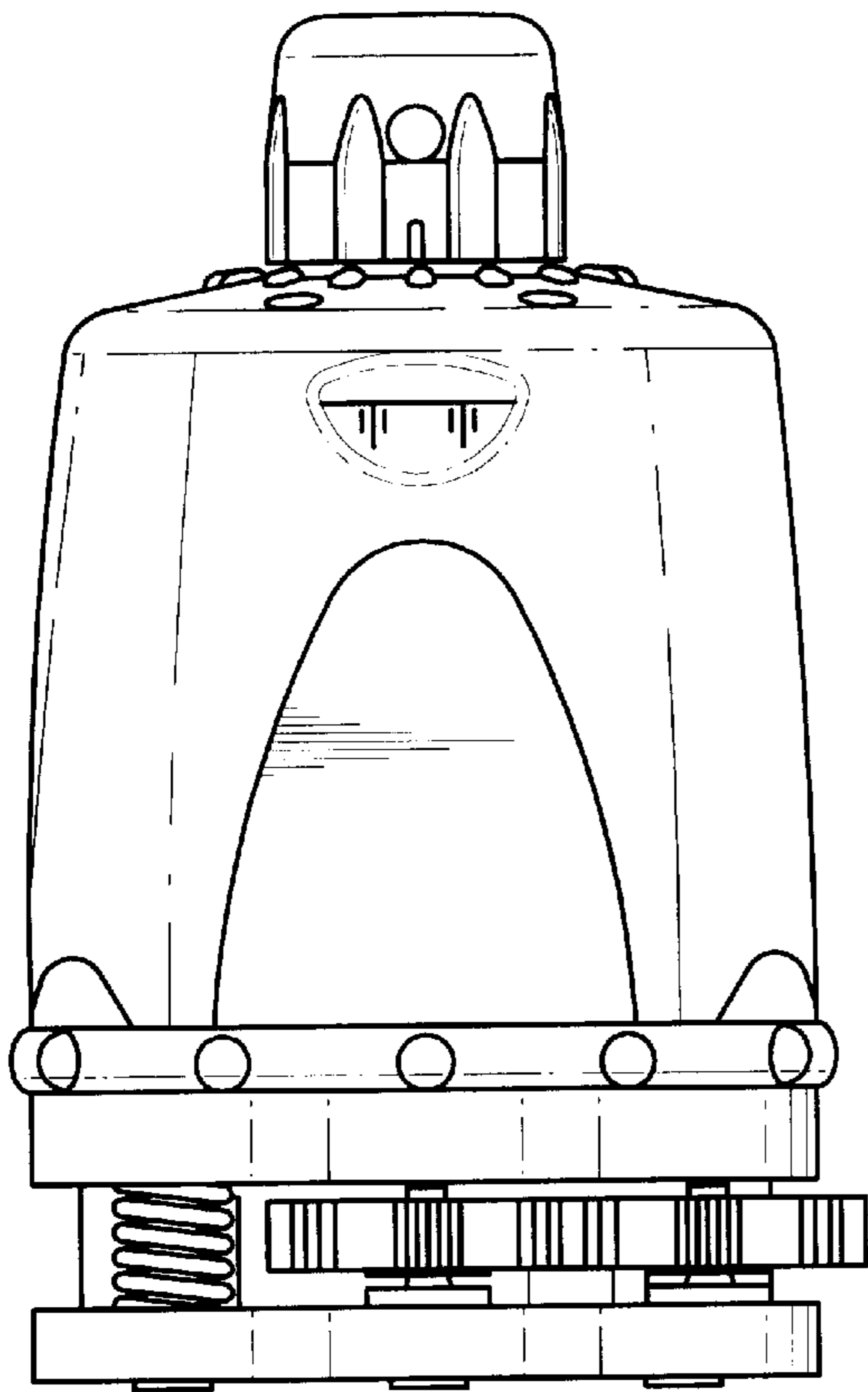


FIG. 3

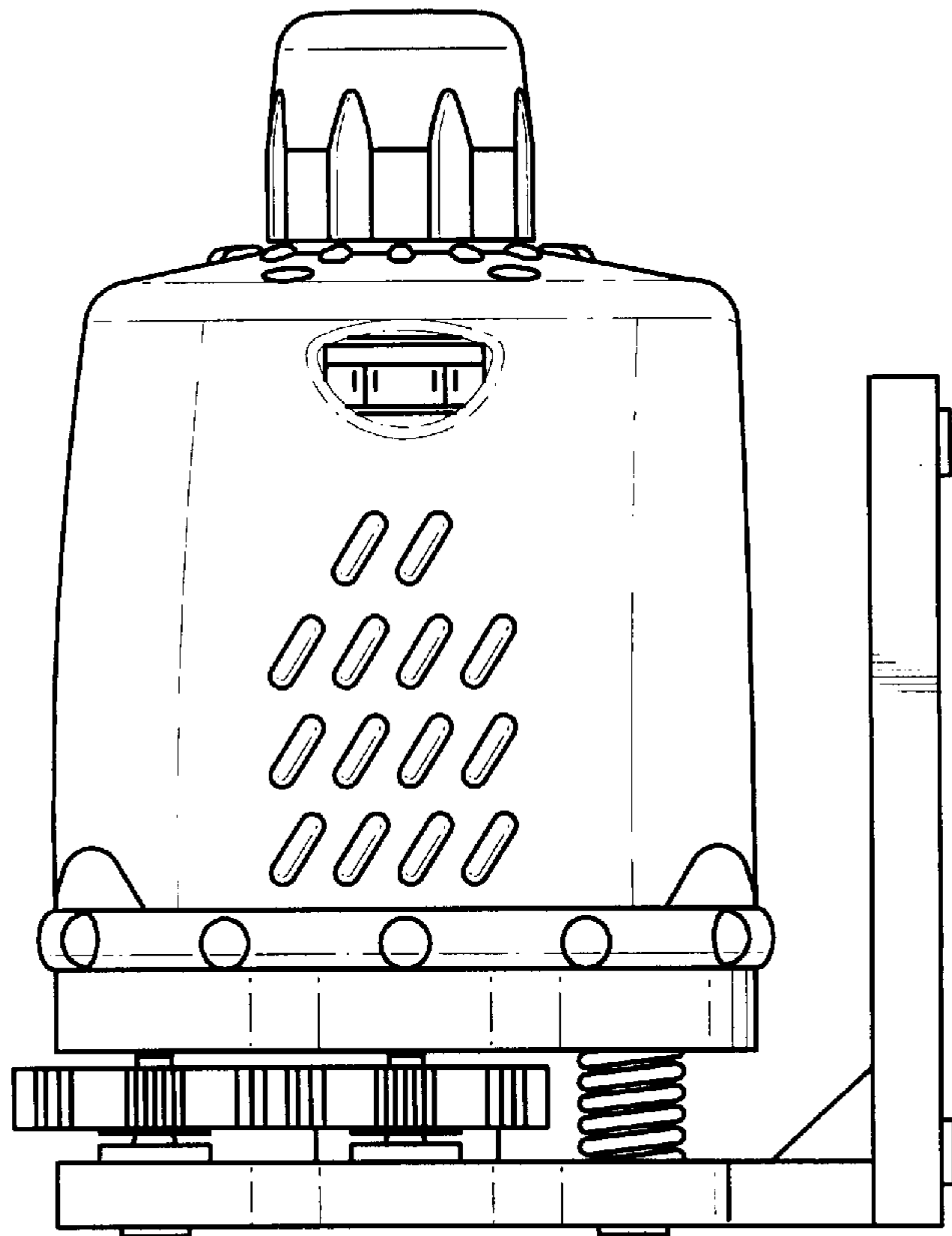


FIG. 4

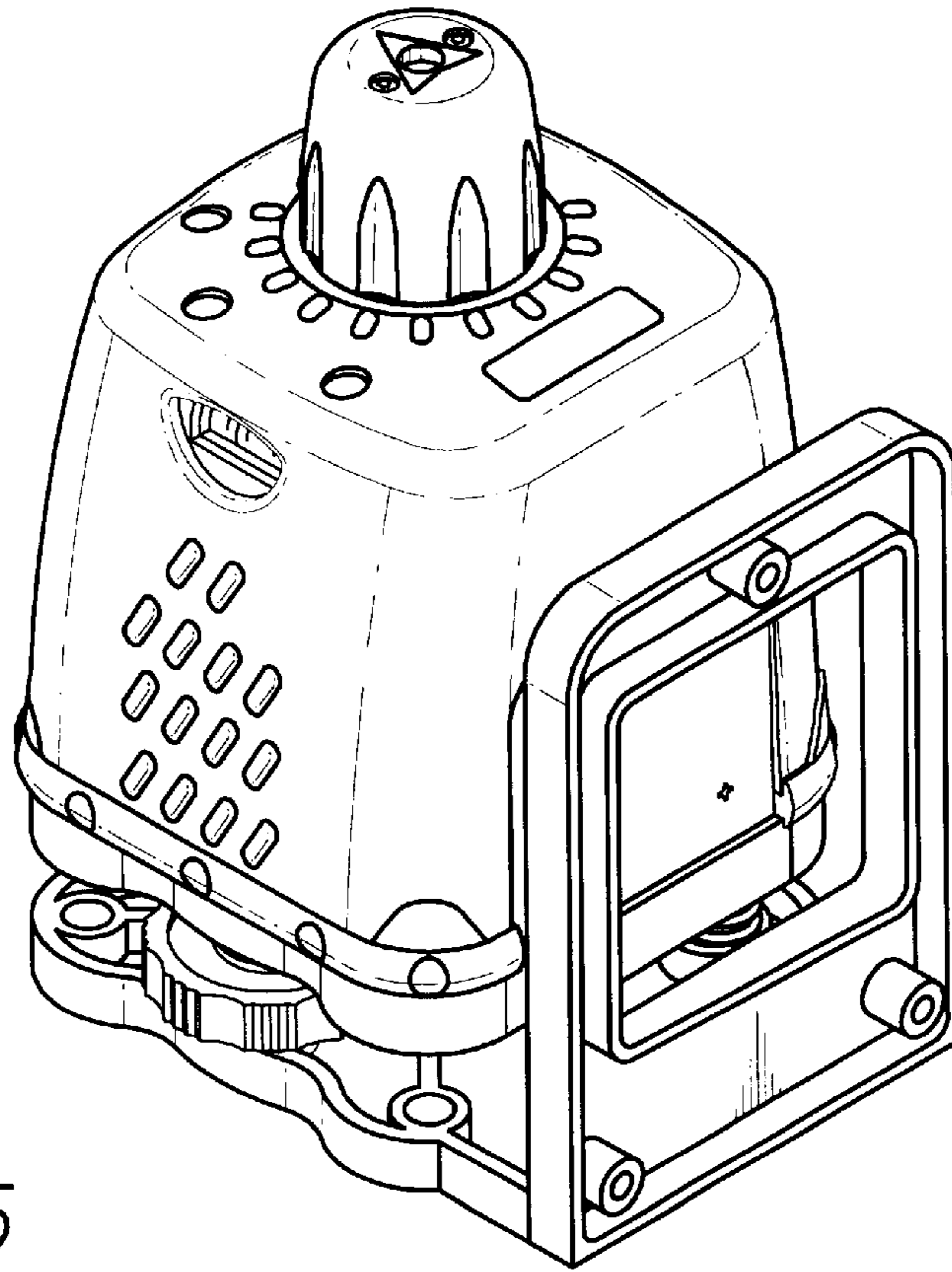


FIG. 5

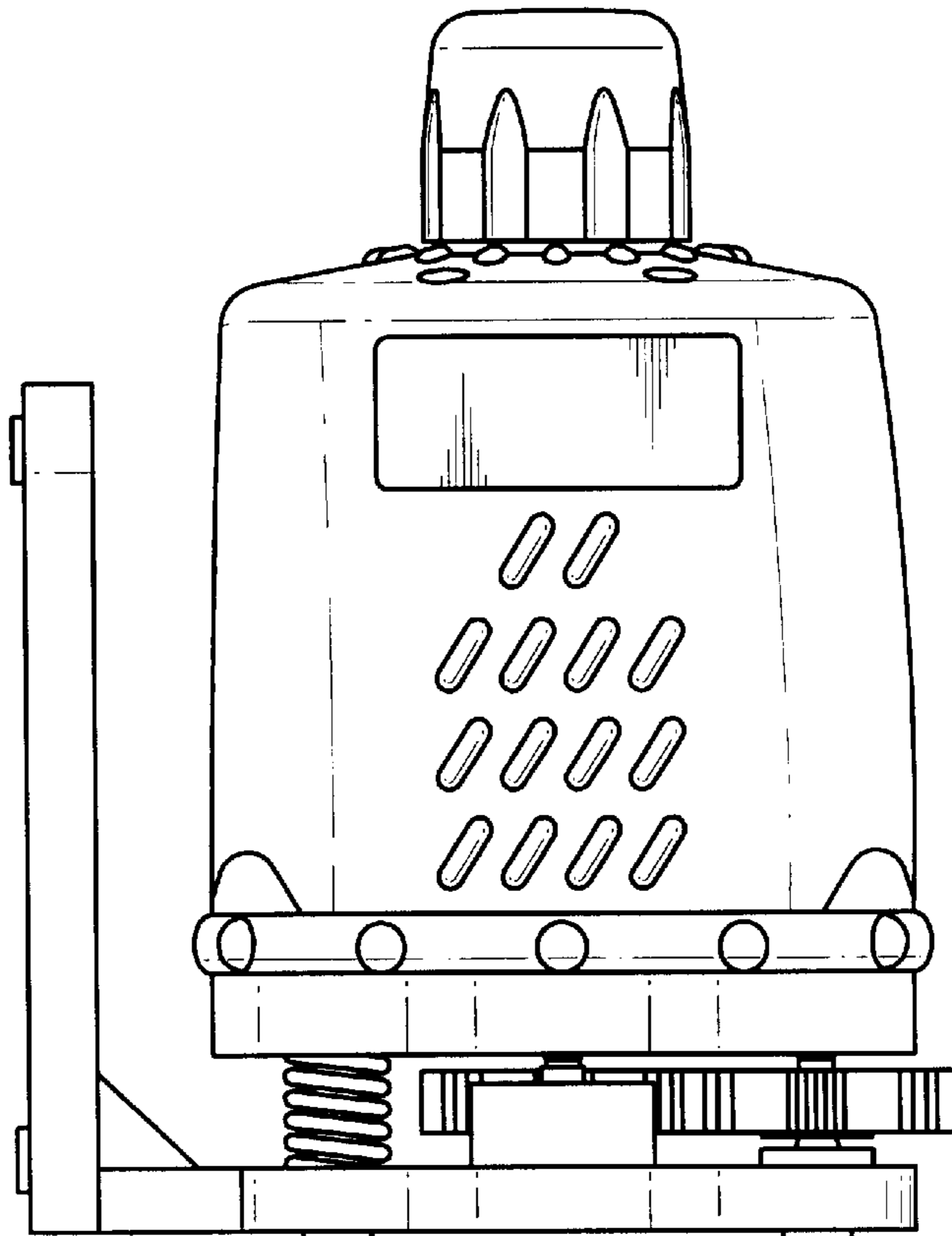


FIG. 6