



US00D502444S

(12) **United States Design Patent**
Wage

(10) **Patent No.:** **US D502,444 S**
(45) **Date of Patent:** **** Mar. 1, 2005**

(54) **TIRE TREAD**

(75) Inventor: **David Andrew Wage**, Mauldin, SC (US)

(73) Assignee: **Michelin Recherche et Technique**, Granges-Paccot (CH)

(**) Term: **14 Years**

(21) Appl. No.: **29/203,127**

(22) Filed: **Apr. 8, 2004**

(51) **LOC (7) Cl.** **12-15**

(52) **U.S. Cl.** **D12/588**

(58) **Field of Search** D12/551, 553,
D12/555-6, 589, 588-91; 152/209.1, 209.11,
209.13, 209.18, 209.25

(56) **References Cited**

U.S. PATENT DOCUMENTS

D316,239 S	*	4/1991	Tsuda et al.	D12/588
D316,692 S	*	5/1991	Fukumoto	D12/594
D380,995 S		7/1997	Grosskopf	D12/143
D385,234 S	*	10/1997	Young	D12/553
D385,235 S	*	10/1997	Young	D12/588
D390,510 S		2/1998	Stone et al.	D12/143
D414,725 S	*	10/1999	Kemp, Jr.	D12/588
D448,707 S		10/2001	Maziarka	D12/147
D454,535 S		3/2002	Kemp, Jr.	D12/583
D461,446 S	*	8/2002	Janjareh et al.	D12/588
D472,204 S		3/2003	Kemp, Jr. et al.	D12/588
D481,992 S		11/2003	Harden et al.	D12/595
D483,324 S		12/2003	Kemp, Jr.	D12/605
D489,036 S	*	4/2004	Irimiya	D12/553

OTHER PUBLICATIONS

Dunlop SP251 Tire, 2002 Tread Design Guide, Jan. 2002, p. 123. 2/3.*

Michelin Retread Technologies (MRT) XZE SA Trailer Tire, 2003 Tread Design Guide, Jan. 2003, p. 226. 1/1.*

Tread Design Guide, 1997, p. 144, Hankook, F80.

Tread Design Guide, 1997, p. 153, Michelin, XZE.

Tread Design Guide, 1997, p. 156, Multi-Mile, Power King Radial Trailer R11.

Tread Design Guide, 1997, p. 231, Bandag, MZR Trailer.

Tread Design Guide, 2002, p. 133, Marshall, KRS03.

* cited by examiner

Primary Examiner—Robert M. Spear

(74) *Attorney, Agent, or Firm*—Robert B. Reed; Alan A. Csontos; E. Martin Remick

(57) **CLAIM**

The ornamental design for a tire tread, as shown and described.

DESCRIPTION

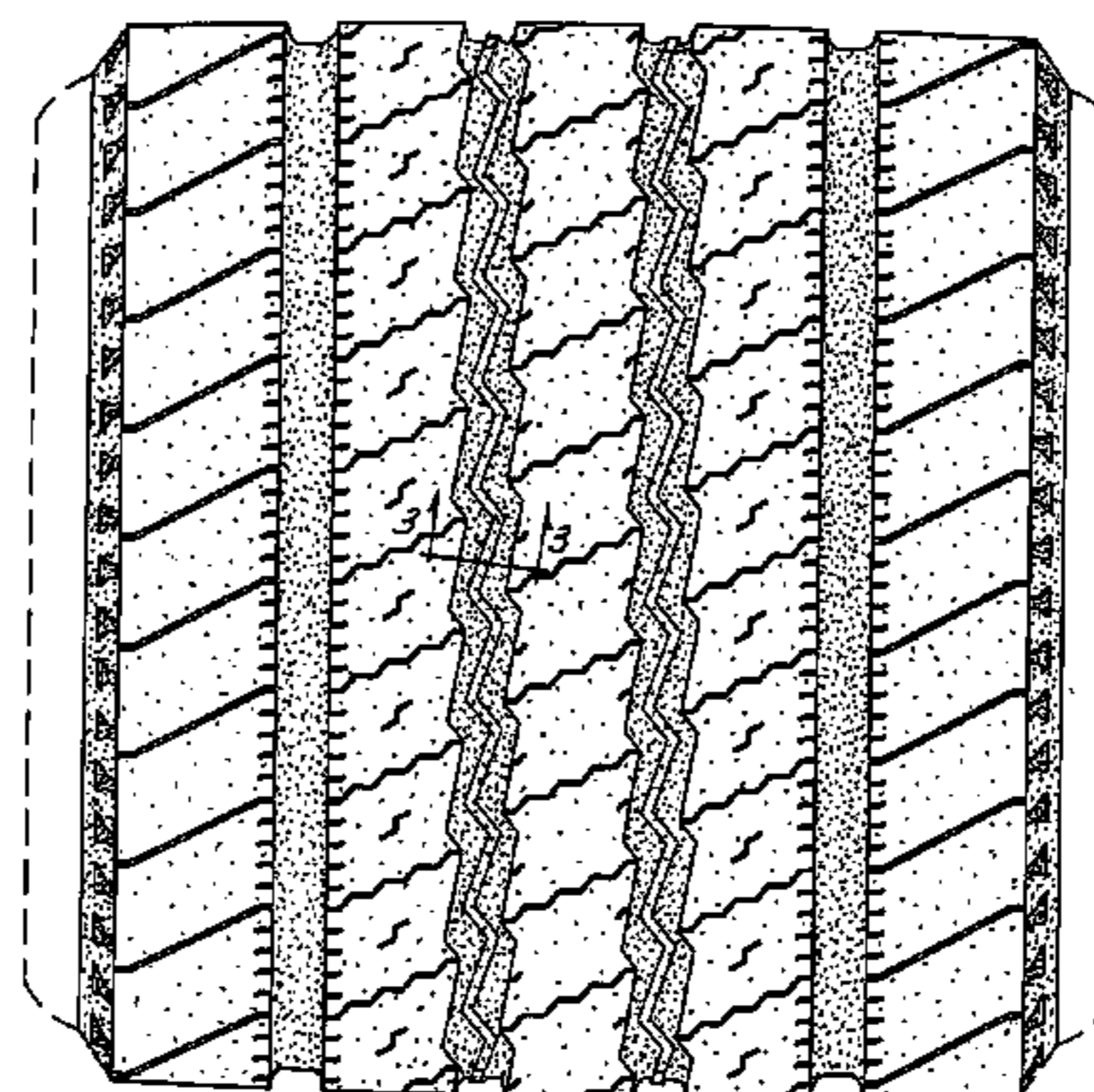
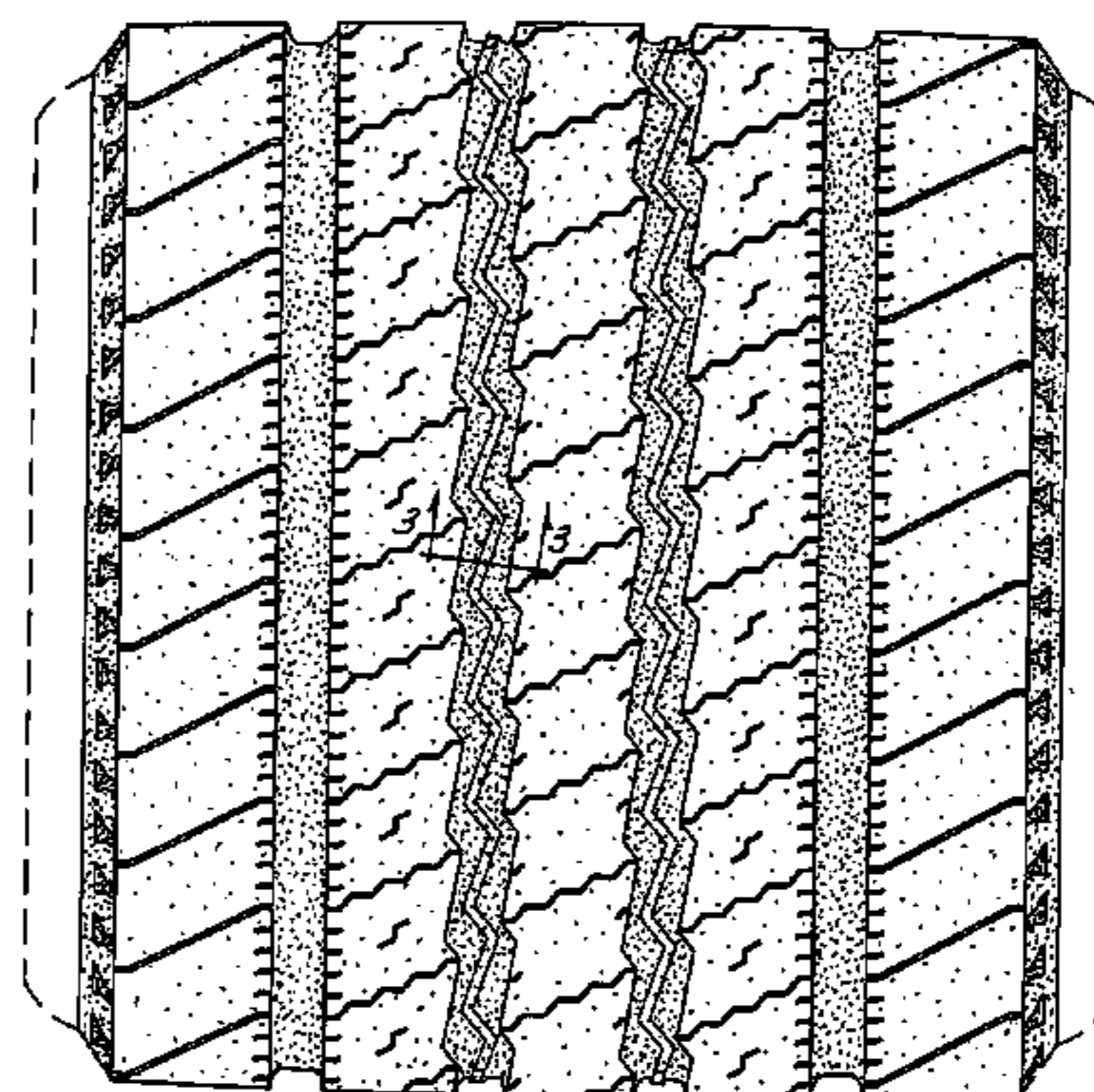
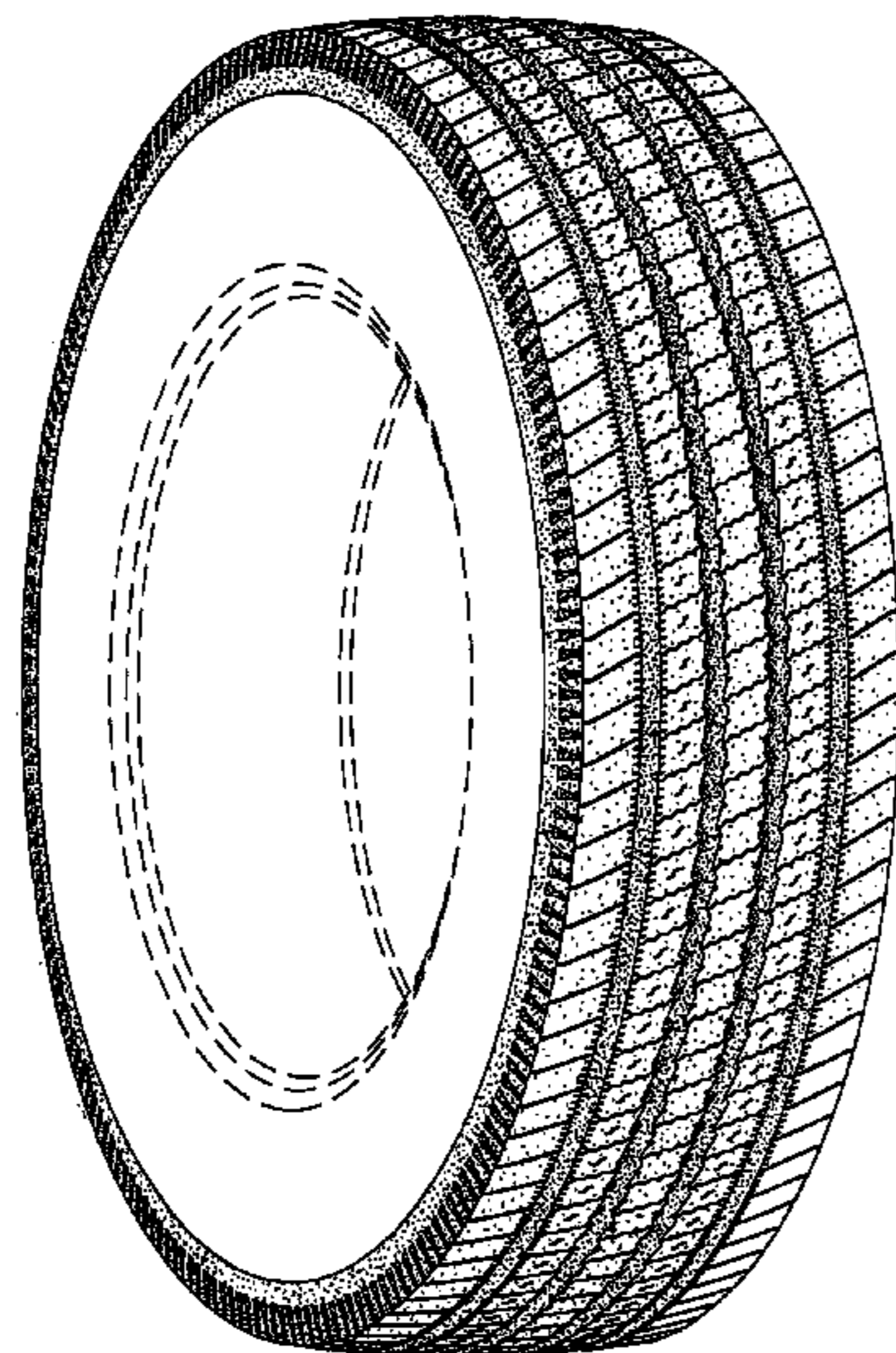
FIG. 1 is a perspective view of a tire tread showing my new design, it being understood that the tread pattern repeats circumferentially throughout the outer circumference and shoulder of a tire, the opposite side perspective view being identical thereto; and

FIG. 2 is an enlarged fragmentary front elevation view of the tire tread thereof of FIG. 1; and,

FIG. 3 is a cross-sectional view taken along line 3—3 in FIG. 2.

In the drawings, the dark stippled surface shading represents the recessed groove portions of the tire tread with a groove depth as illustrated in FIG. 3. The broken line disclosure of the tire sidewall and inner bead is for illustrative purposes only and forms no part of the claimed design.

1 Claim, 3 Drawing Sheets



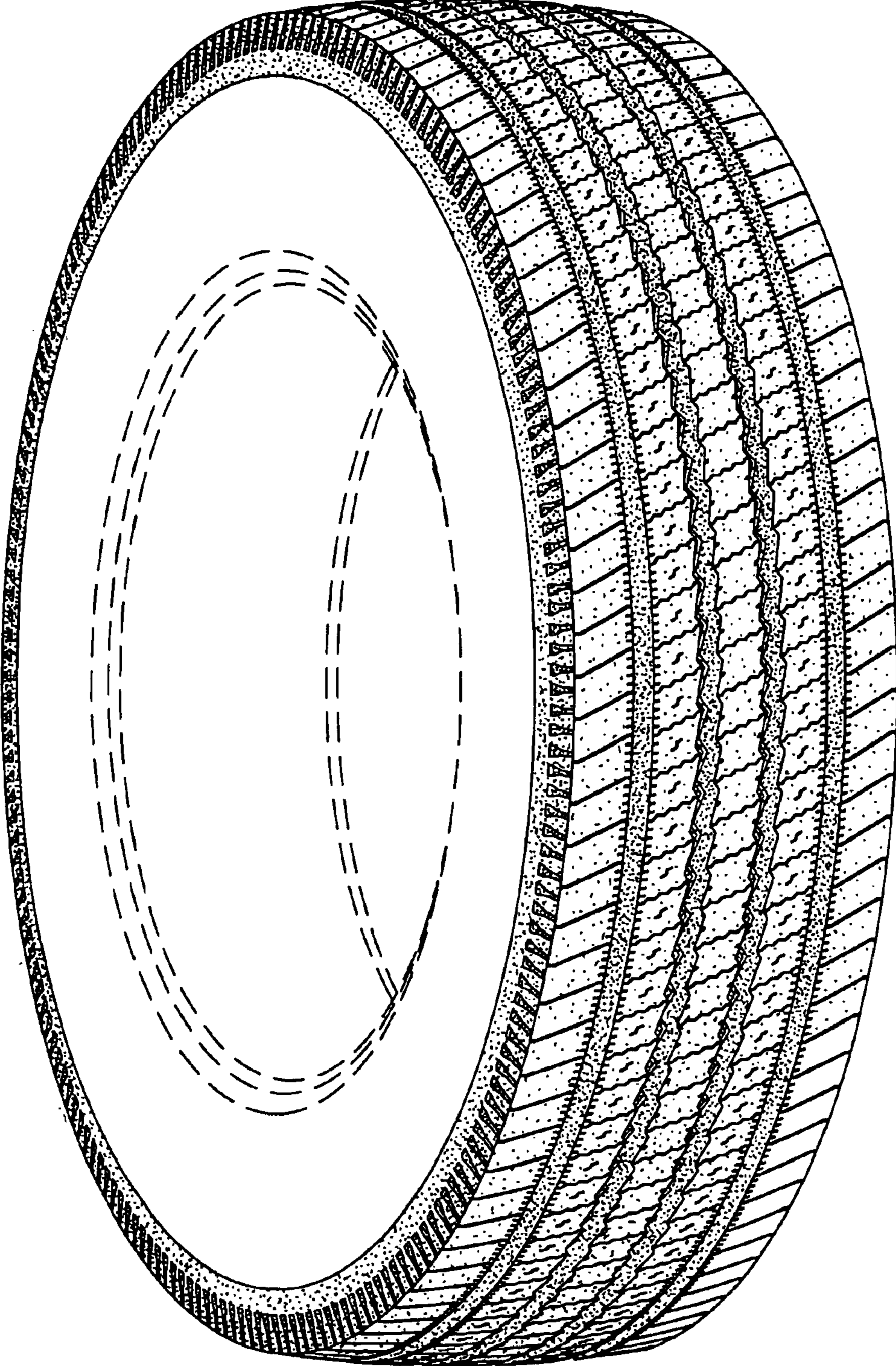


Fig. 1

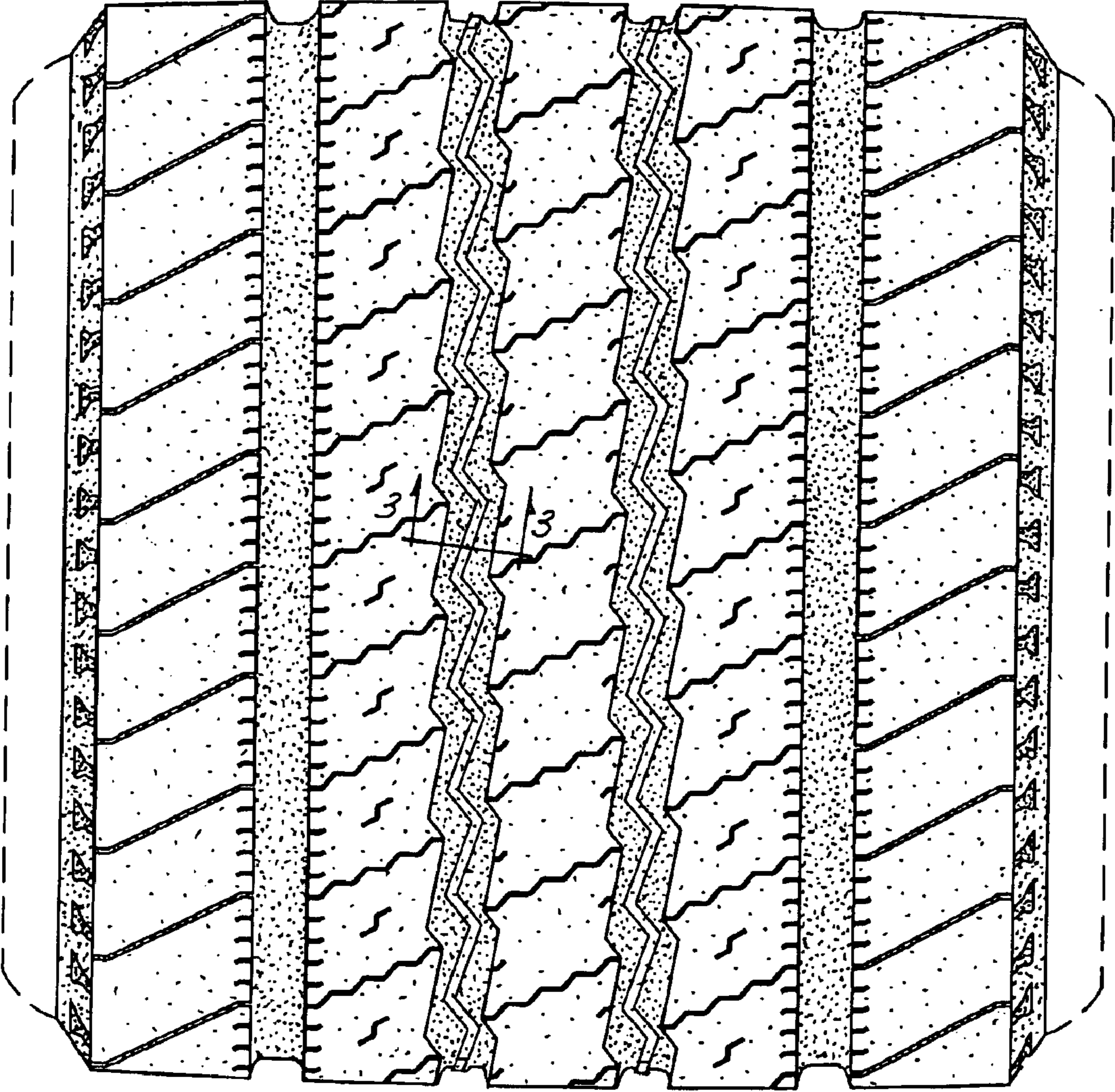


Fig. 2

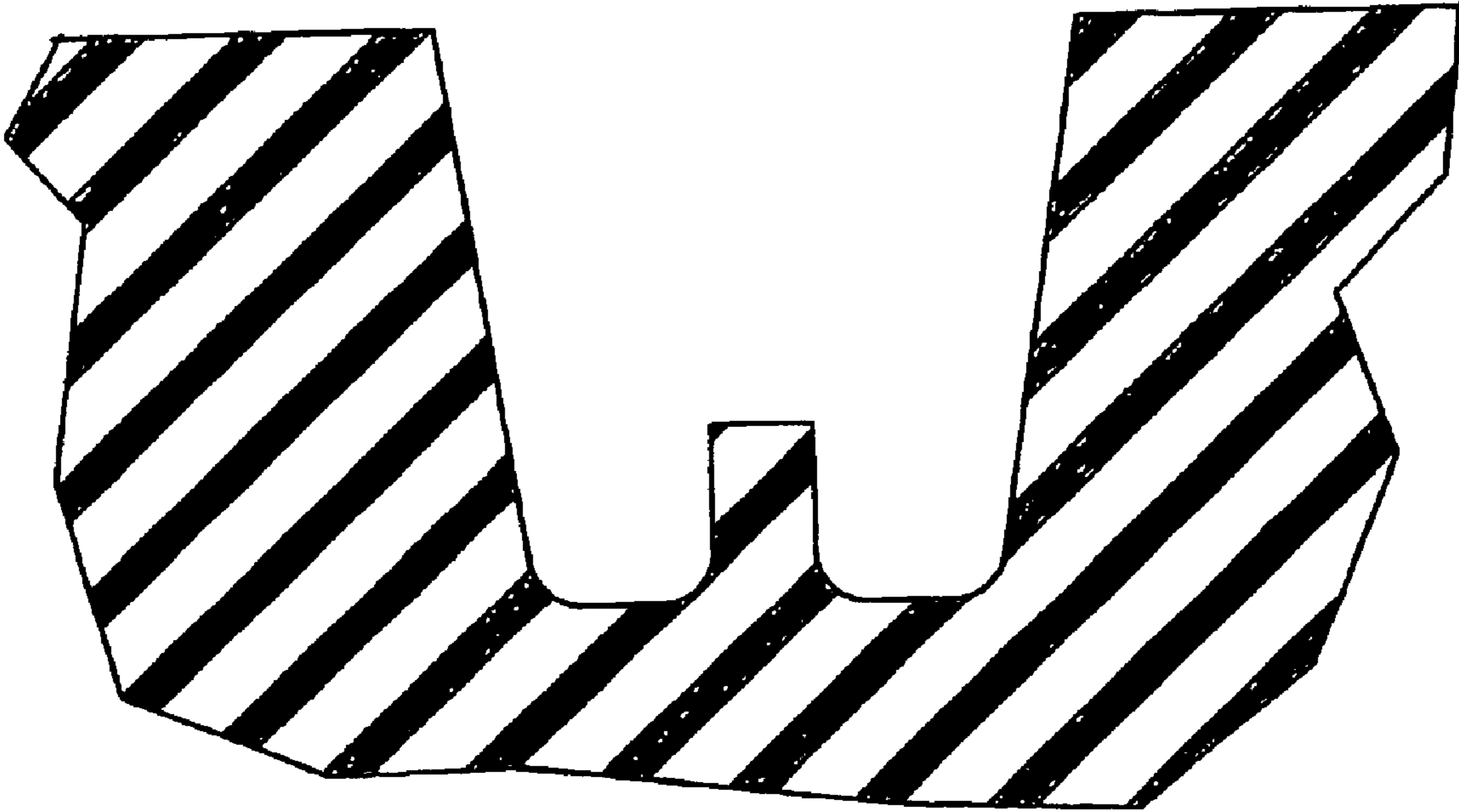


Fig. 3