

US00D502439S

(12) **United States Design Patent**
Horstmann et al.

(10) **Patent No.:** **US D502,439 S**
(45) **Date of Patent:** **** Mar. 1, 2005**

(54) **MOTORCYCLE FUEL TANK**

(75) Inventors: **Dan Horstmann**, London (GB); **Clive Kilford**, London (GB); **Nicholas Carpenter**, London (GB); **Stephen Everitt**, London (GB)

(73) Assignee: **Brumby Corporation Limited**, Isle of Man (GB)

(**) Term: **14 Years**

(21) Appl. No.: **29/172,101**

(22) Filed: **Dec. 6, 2002**

(51) **LOC (7) Cl.** **12-06**

(52) **U.S. Cl.** **D12/218**

(58) **Field of Search** **D12/110, 218;**
180/219, 69.4, 225; 280/833-835

(56) **References Cited**

U.S. PATENT DOCUMENTS

6,234,531 B1 * 5/2001 Kurayoshi et al. 280/835

* cited by examiner

Primary Examiner—Alan P. Douglas
Assistant Examiner—Linda Brooks

(74) *Attorney, Agent, or Firm*—Banner & Witcoff Ltd.

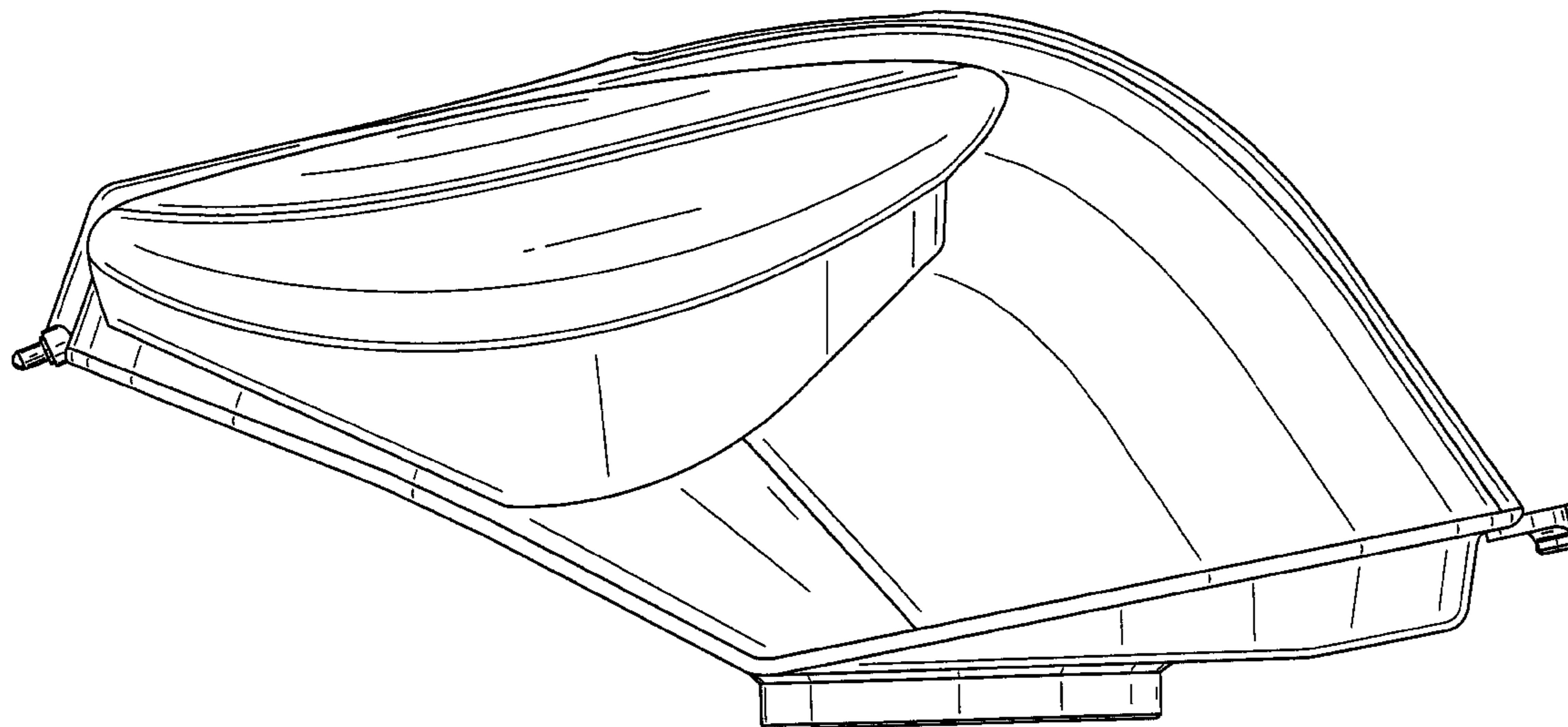
(57) **CLAIM**

The ornamental design for a motorcycle fuel tank, as shown and described.

DESCRIPTION

FIG. 1 is a side elevational view of one side of a motorcycle fuel tank showing our new design, the opposite side being a mirror image thereof;
FIG. 2 is a top plan view thereof;
FIG. 3 is a bottom plan view thereof;
FIG. 4 is a front elevational view thereof;
FIG. 5 is a rear elevational view thereof;
FIG. 6 is a front, top perspective view thereof;
FIG. 7 is a bottom perspective view thereof;
FIG. 8 is a front, top perspective view thereof on a reduced scale, shown in position of use on a motorcycle, which is shown in broken lines for illustrative purposes only and forms no part of the claimed design;
FIG. 9 is a top plan view of FIG. 8; and,
FIG. 10 is a side elevational view of FIG. 8.

1 Claim, 10 Drawing Sheets



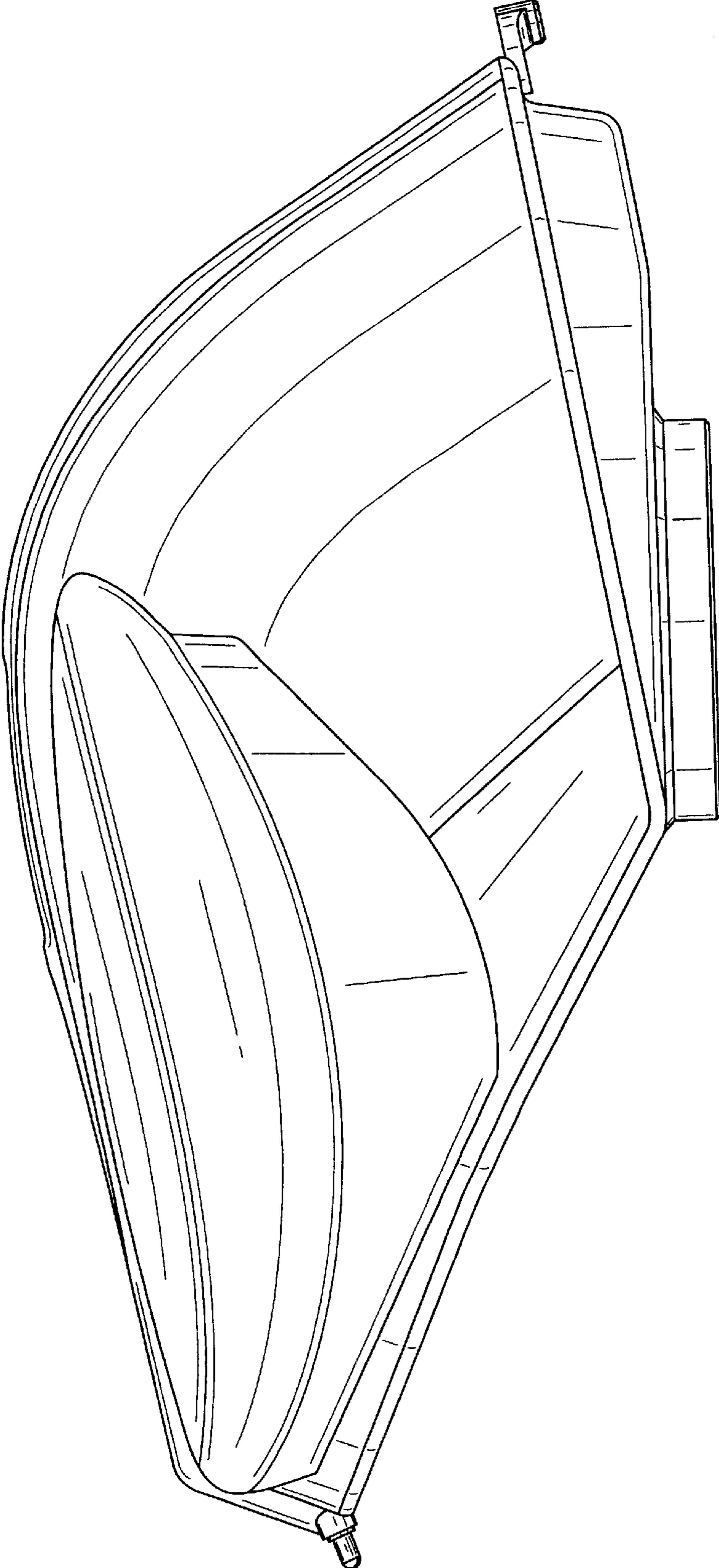


FIG. 1

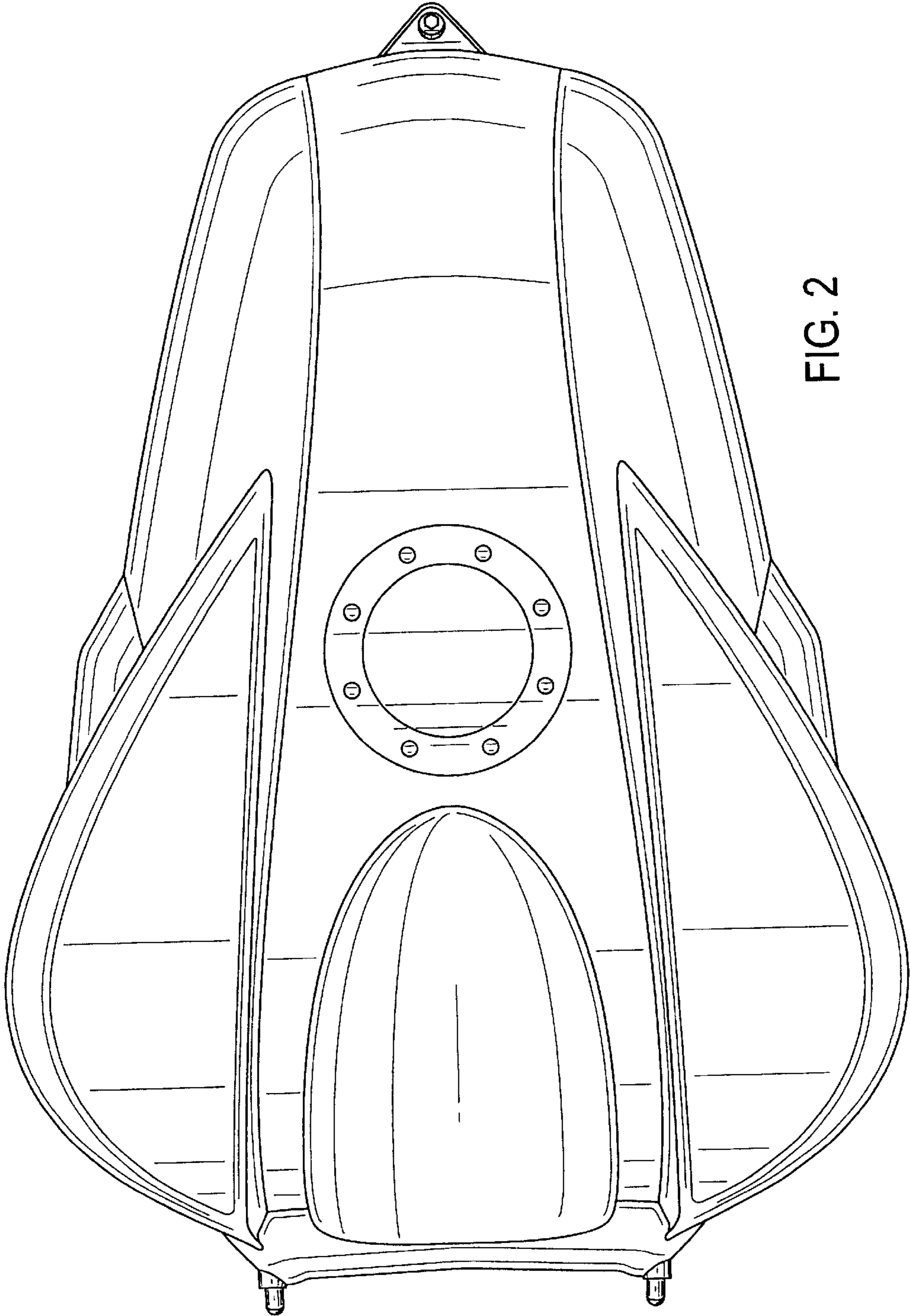


FIG. 2

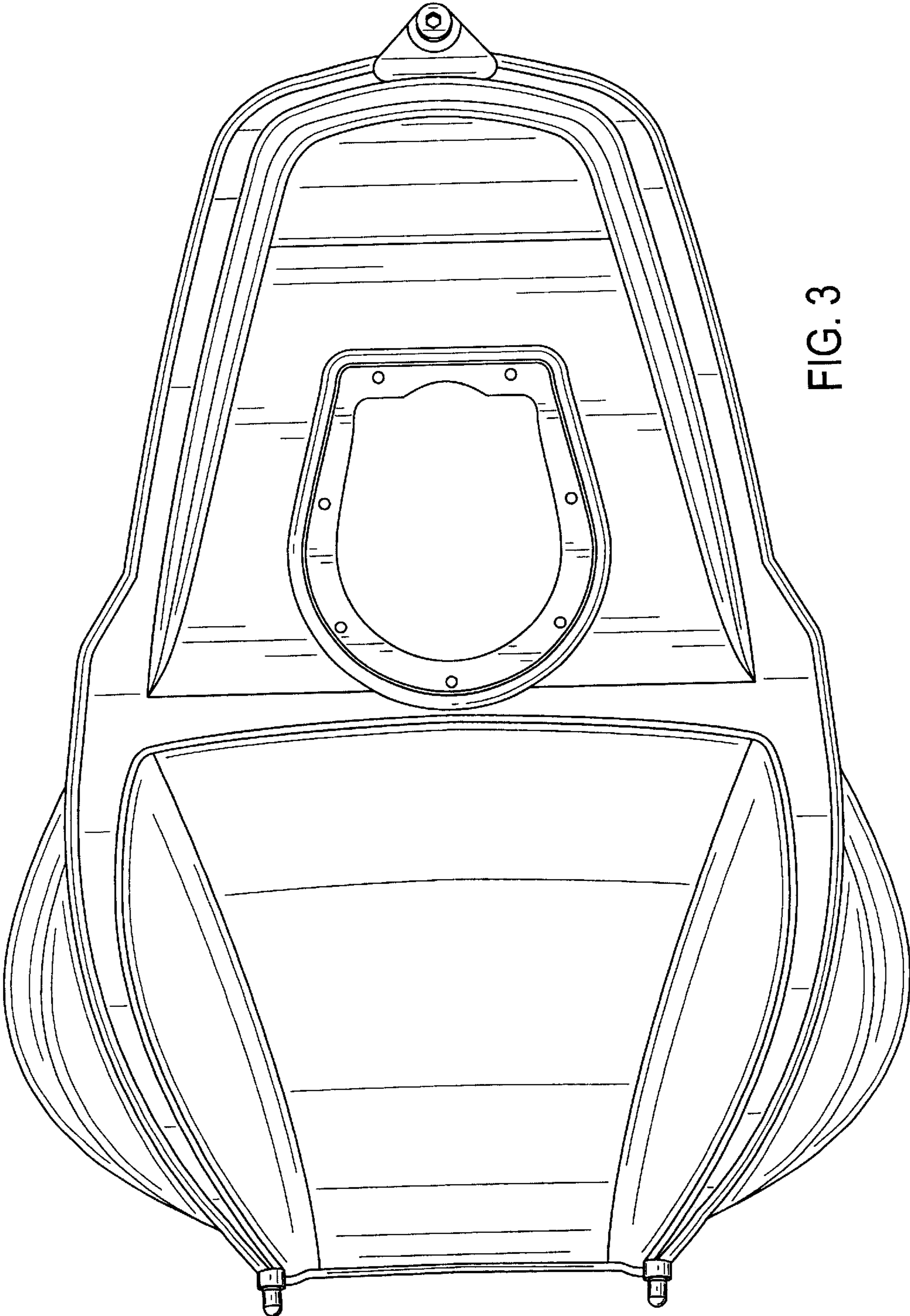


FIG. 3

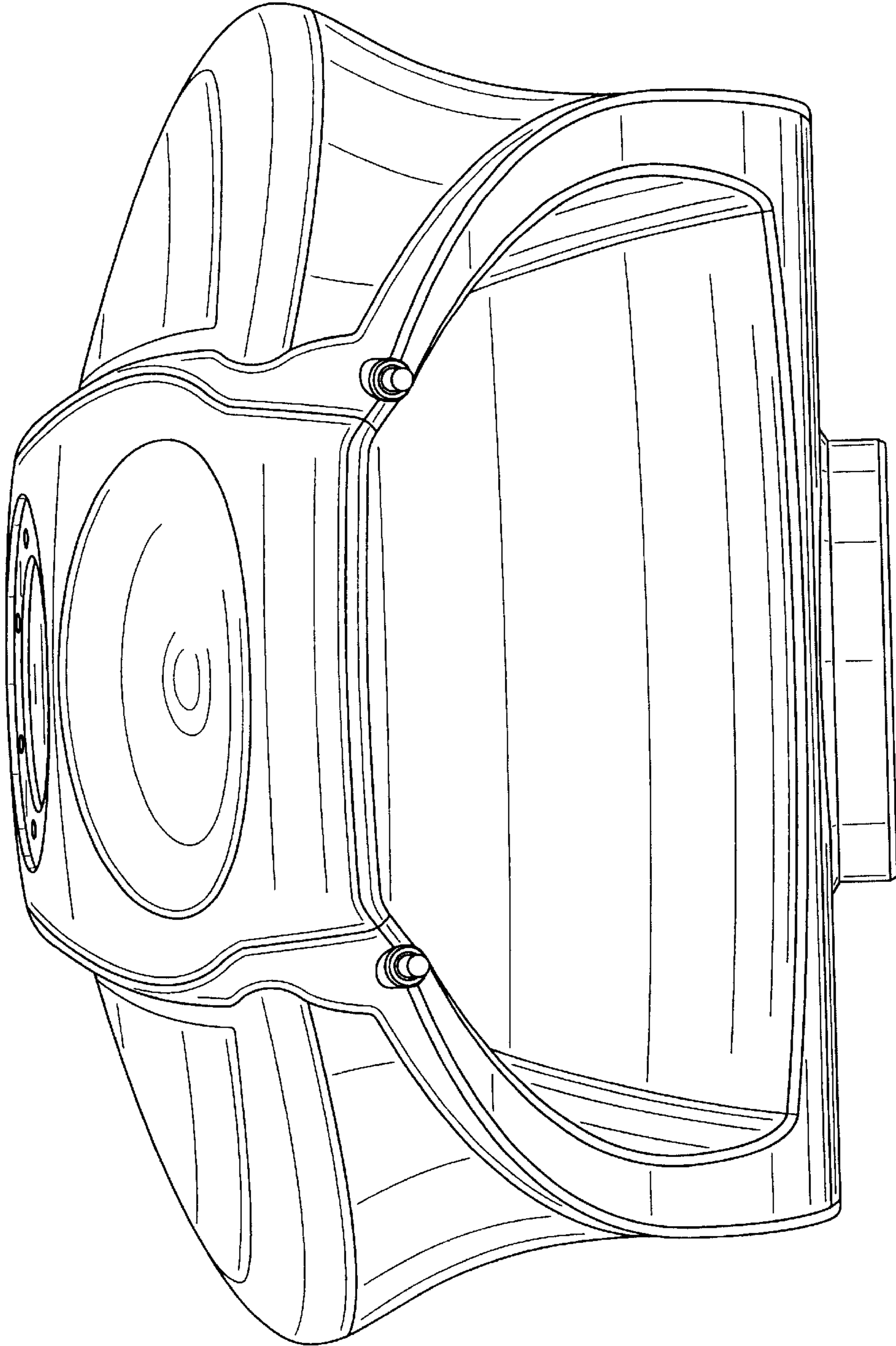


FIG. 4

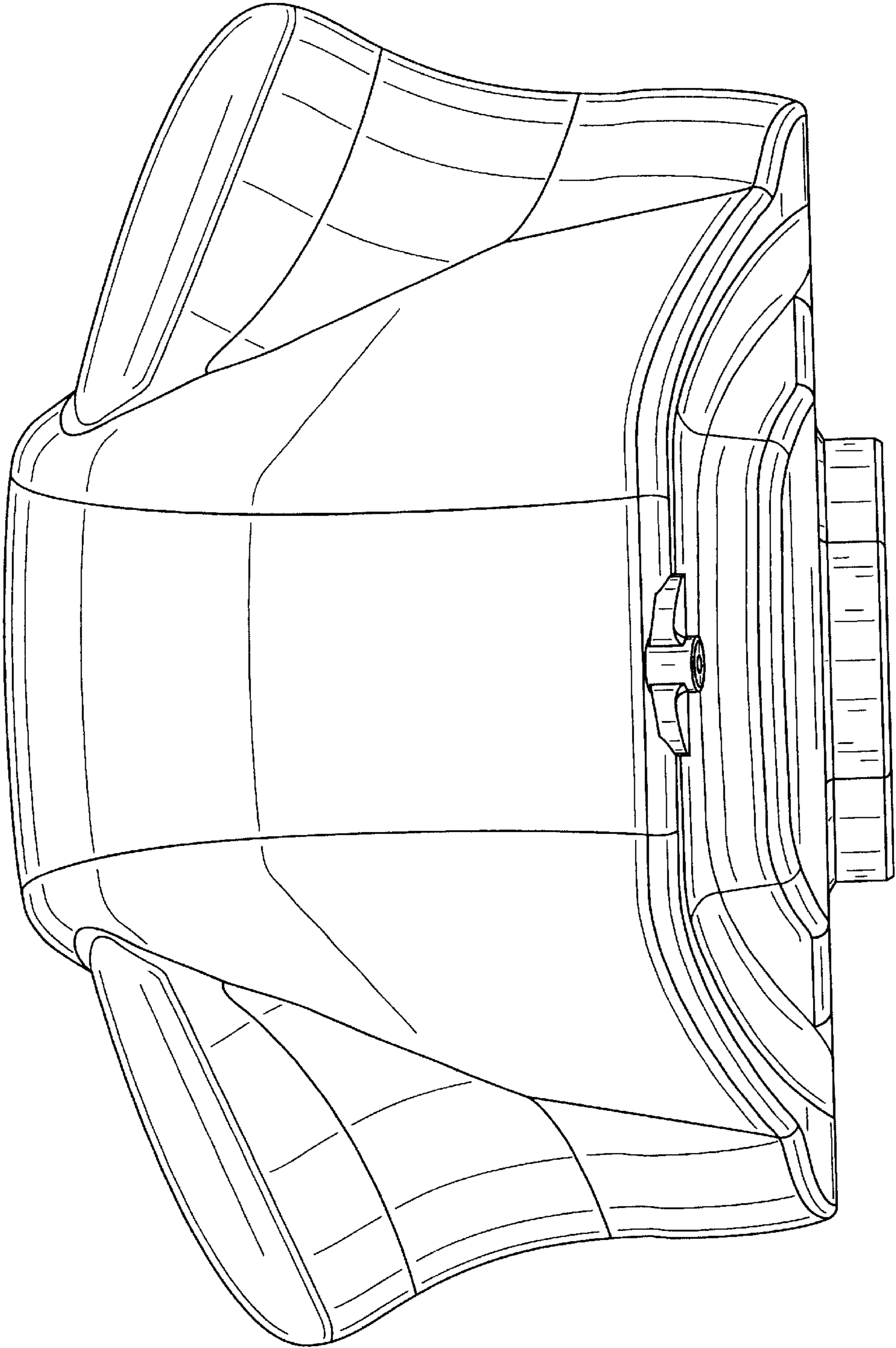


FIG. 5

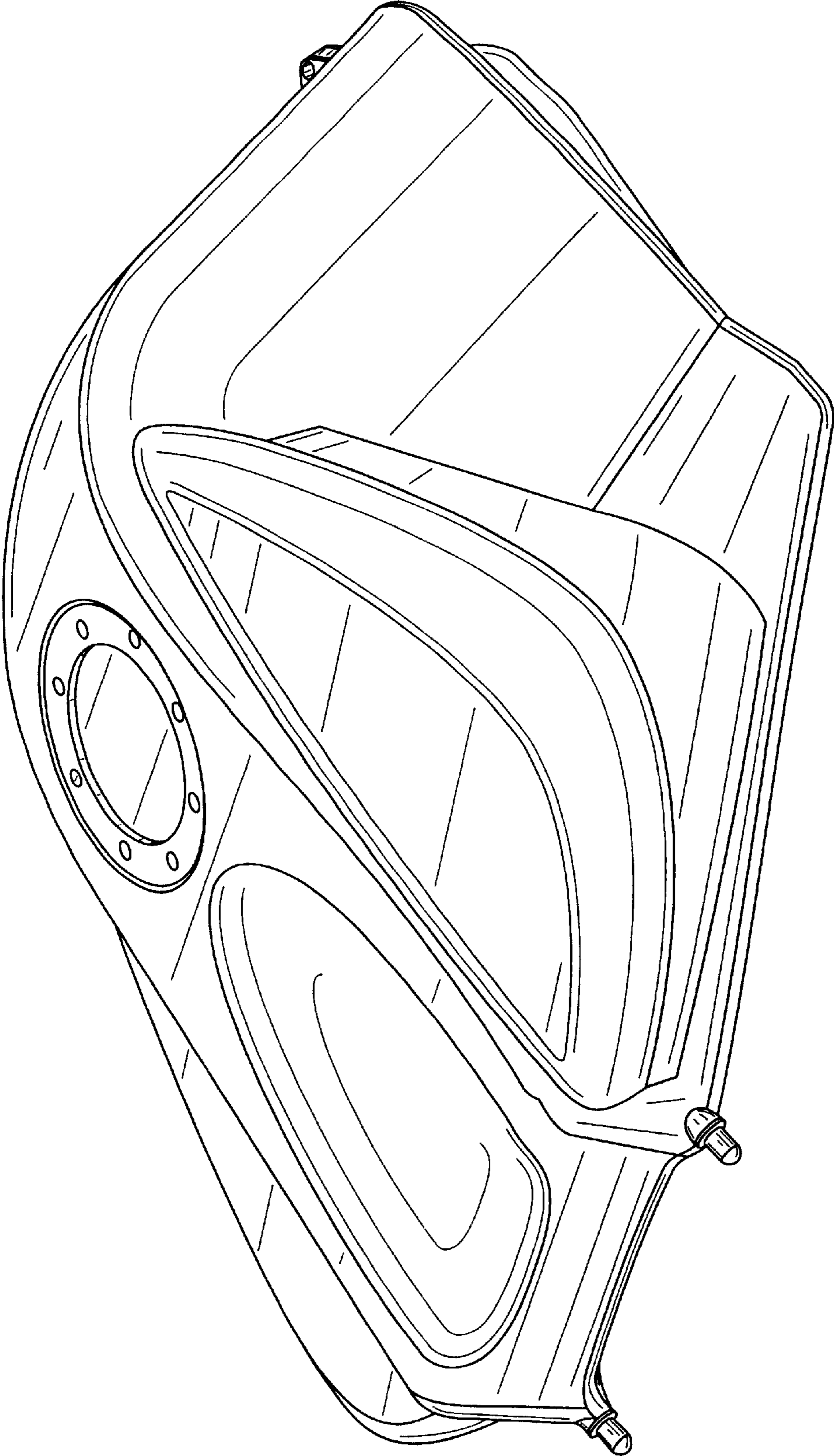


FIG. 6

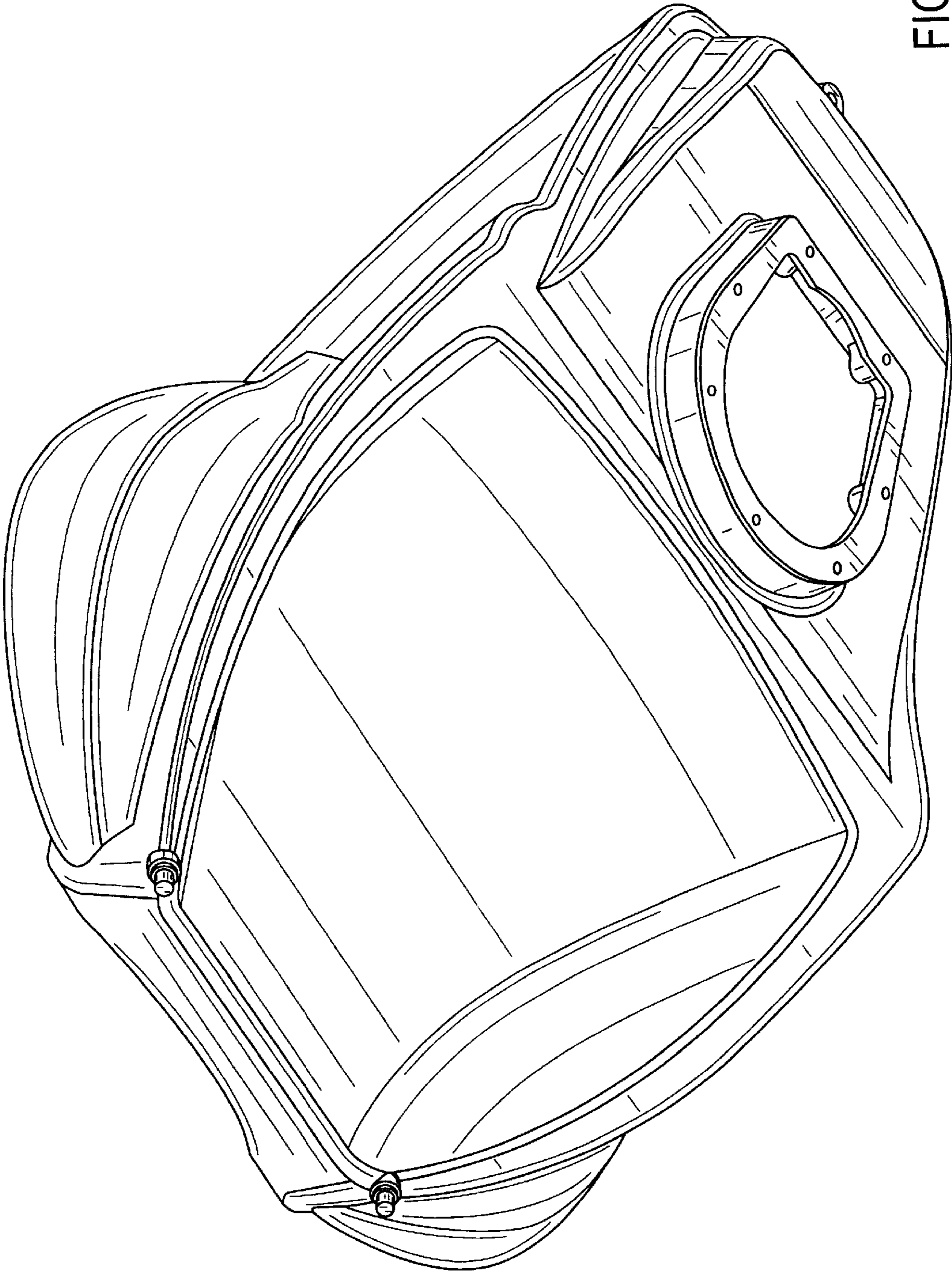


FIG. 7

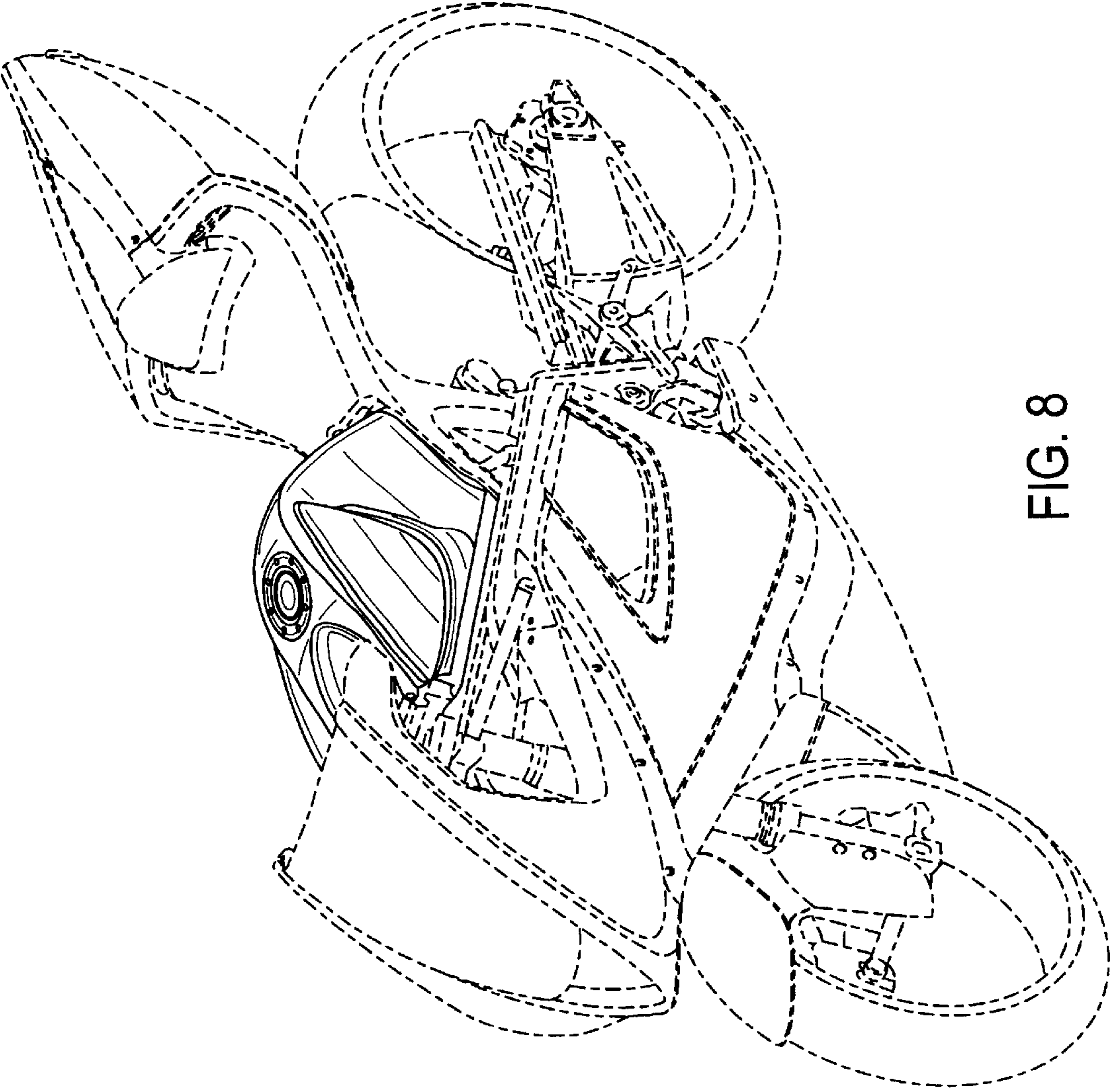


FIG. 8

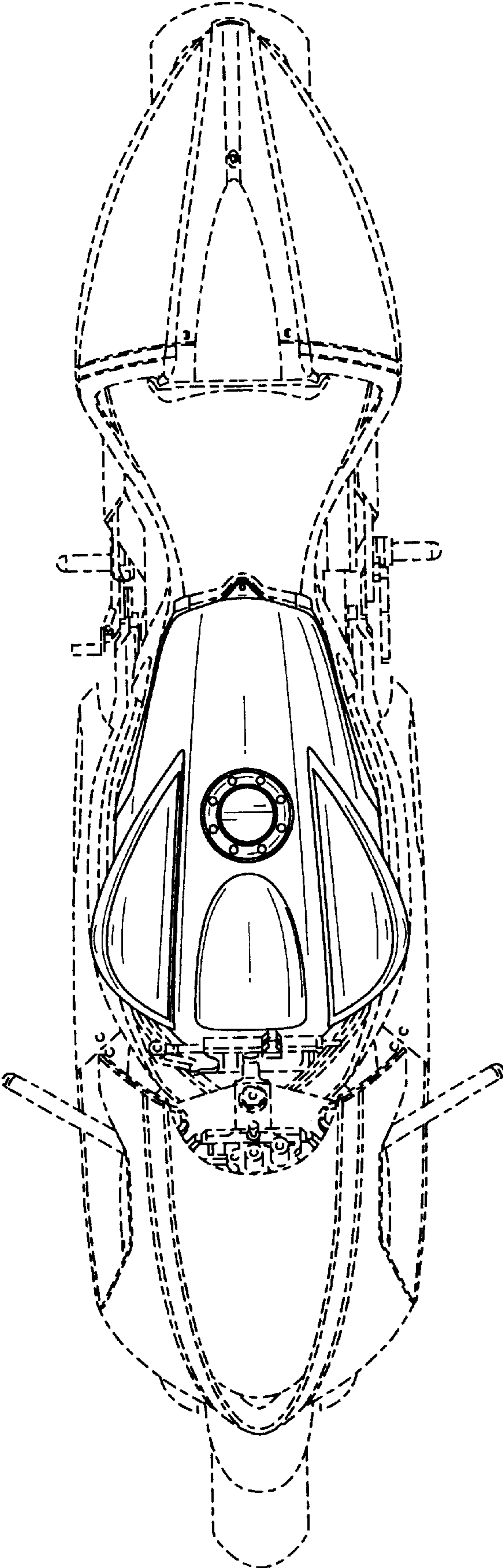


FIG. 9

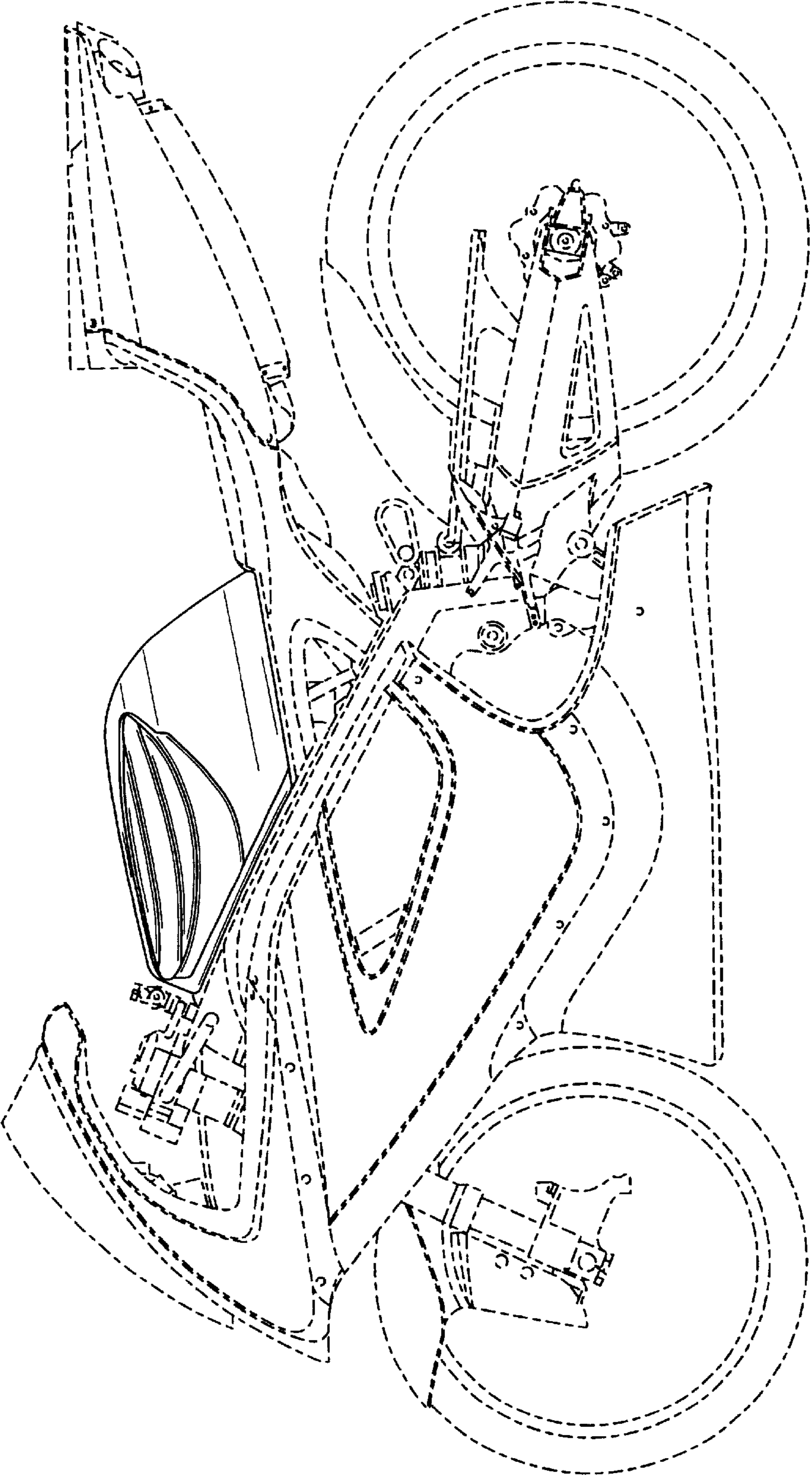


FIG. 10