

US00D502434S

(12) **United States Design Patent**
Leibman

(10) **Patent No.:** **US D502,434 S**
(45) **Date of Patent:** **** Mar. 1, 2005**

(54) **LICENSE PLATE HOLDER**

(76) **Inventor:** **Michael Leibman**, 1002 44th Dr., Long Island City, NY (US) 11101

(**) **Term:** **14 Years**

(21) **Appl. No.:** **29/203,426**

(22) **Filed:** **Apr. 14, 2004**

Related U.S. Application Data

(62) Division of application No. 29/158,821, filed on Apr. 10, 2002, now Pat. No. Des. 489,031.

(51) **LOC (7) Cl.** **12-16**

(52) **U.S. Cl.** **D12/193**

(58) **Field of Search** D12/193; D6/300-303, D6/310-314; 40/200-203, 207-216

(56) **References Cited**

U.S. PATENT DOCUMENTS

D76,530 S	*	10/1928	Gates	D12/193
D128,149 S	*	7/1941	Swanson	D12/193
D134,835 S	*	1/1943	Griffith	D12/193
D176,332 S	*	12/1955	Helm	D12/193
D280,610 S	*	9/1985	Preisler	D12/193
D294,975 S	*	3/1988	Lester	D12/193
D310,347 S	*	9/1990	Spencer	D12/193
D311,167 S	*	10/1990	Ching-Hwei	D12/193
D378,998 S	*	4/1997	Lake	D12/193
D381,307 S	*	7/1997	Gwynn et al.	D12/193

D415,987 S	*	11/1999	Romero	D12/193
D424,003 S	*	5/2000	Steinhagen	D12/193
D464,299 S	*	10/2002	Ohm et al.	D12/193
D489,031 S	*	4/2004	Leibman	D12/193

* cited by examiner

Primary Examiner—Stacia Cadmus

(74) *Attorney, Agent, or Firm*—Howard C. Miskin, Esq.; Gloria Tsui-Yip, Esq.

(57) **CLAIM**

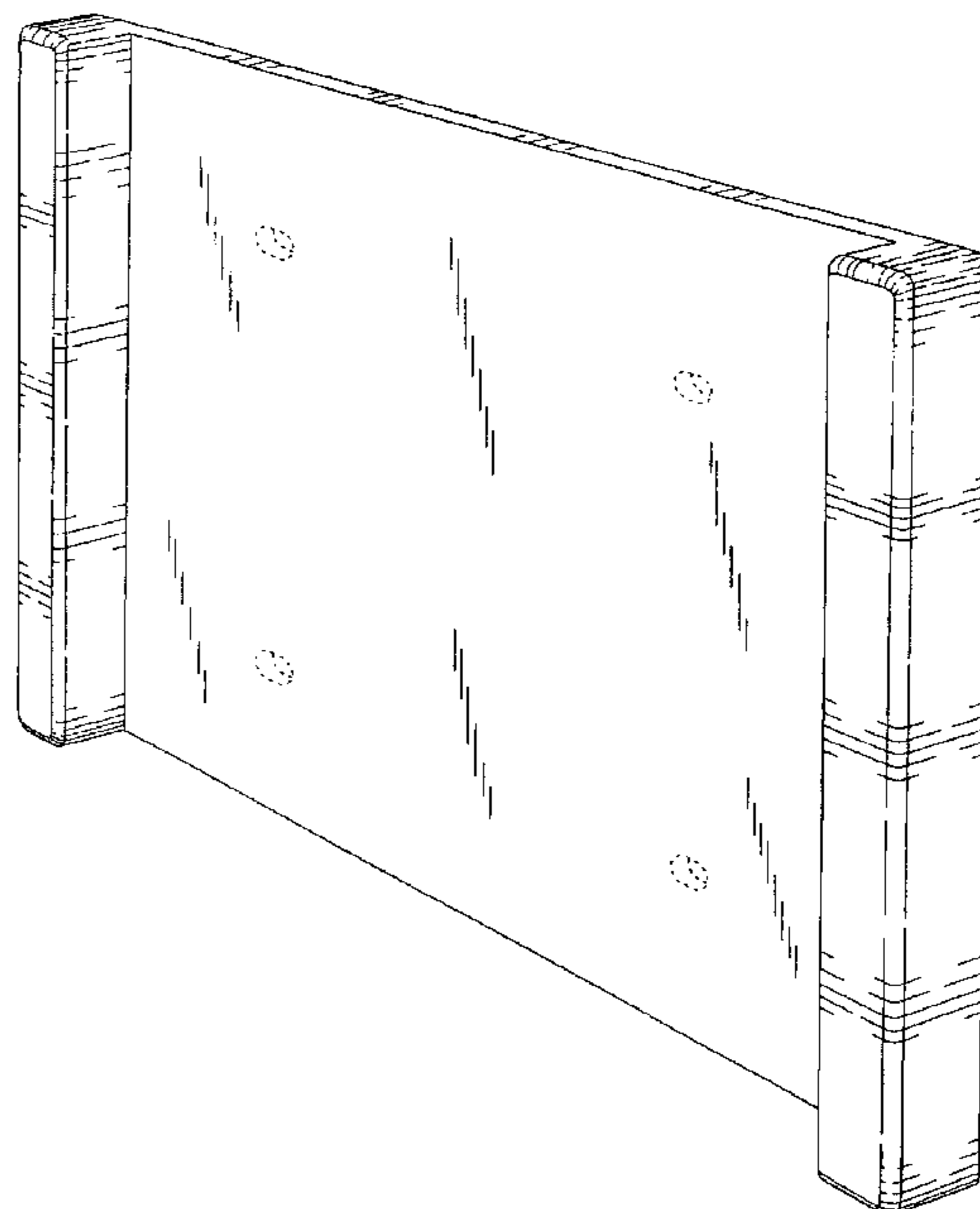
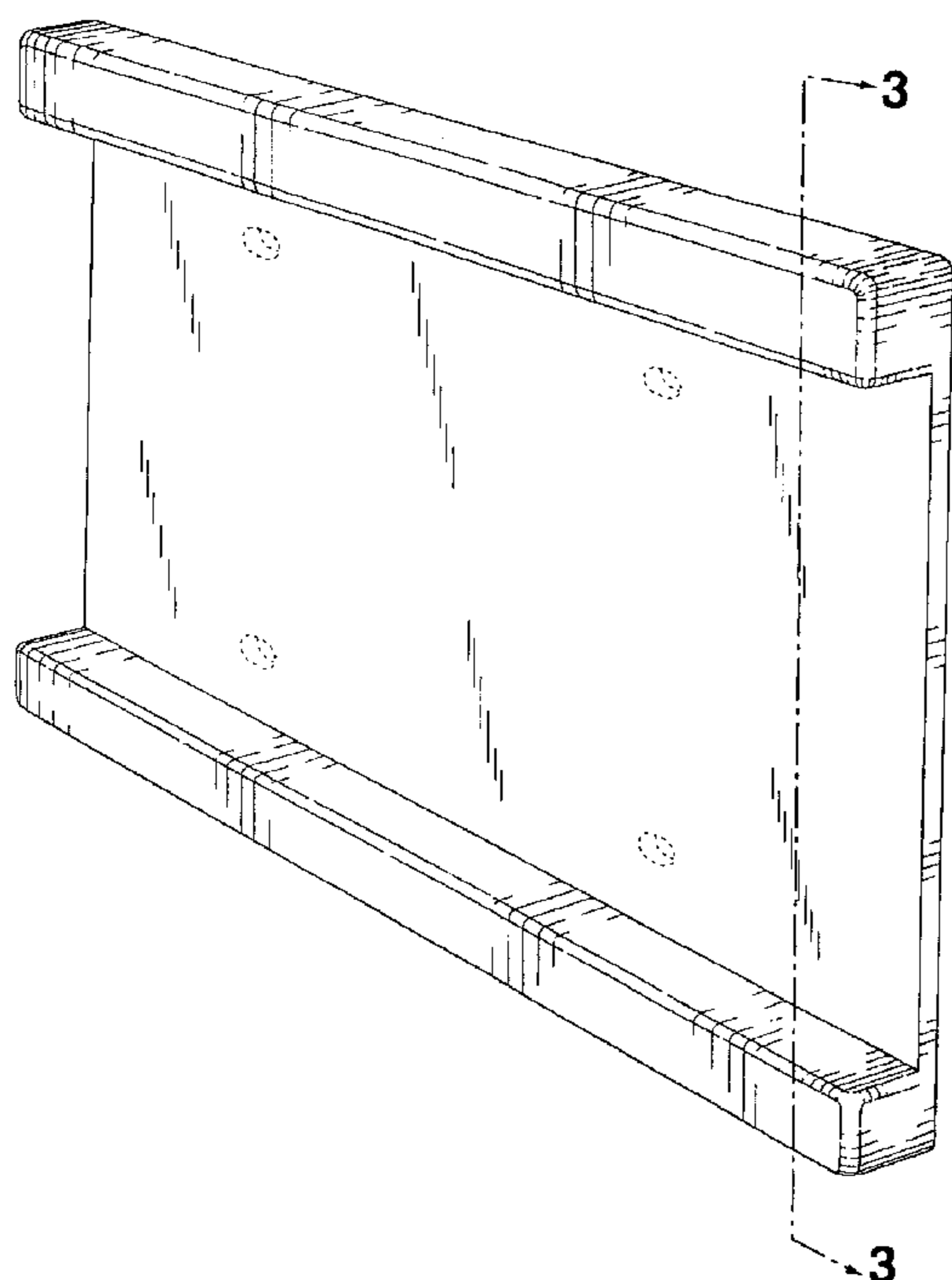
The ornamental design for a license plate holder, as shown and described.

DESCRIPTION

FIG. 1 is a perspective view of my new design;
 FIG. 2 is rear elevational view thereof;
 FIG. 3 is a cross sectional view, taken along line 3—3 of FIG. 1;
 FIG. 4 is a bottom plan view thereof;
 FIG. 5 is a top plan view thereof;
 FIG. 6 is a perspective view of a second embodiment of my new design, with the rear elevational view identical to FIG. 2;
 FIG. 7 is a right side view thereof; and,
 FIG. 8 is a left side view thereof.

The broken lines showing of openings in FIGS. 1, 2, and 6 are for illustrative purposes only and form no part of the claimed design.

1 Claim, 5 Drawing Sheets



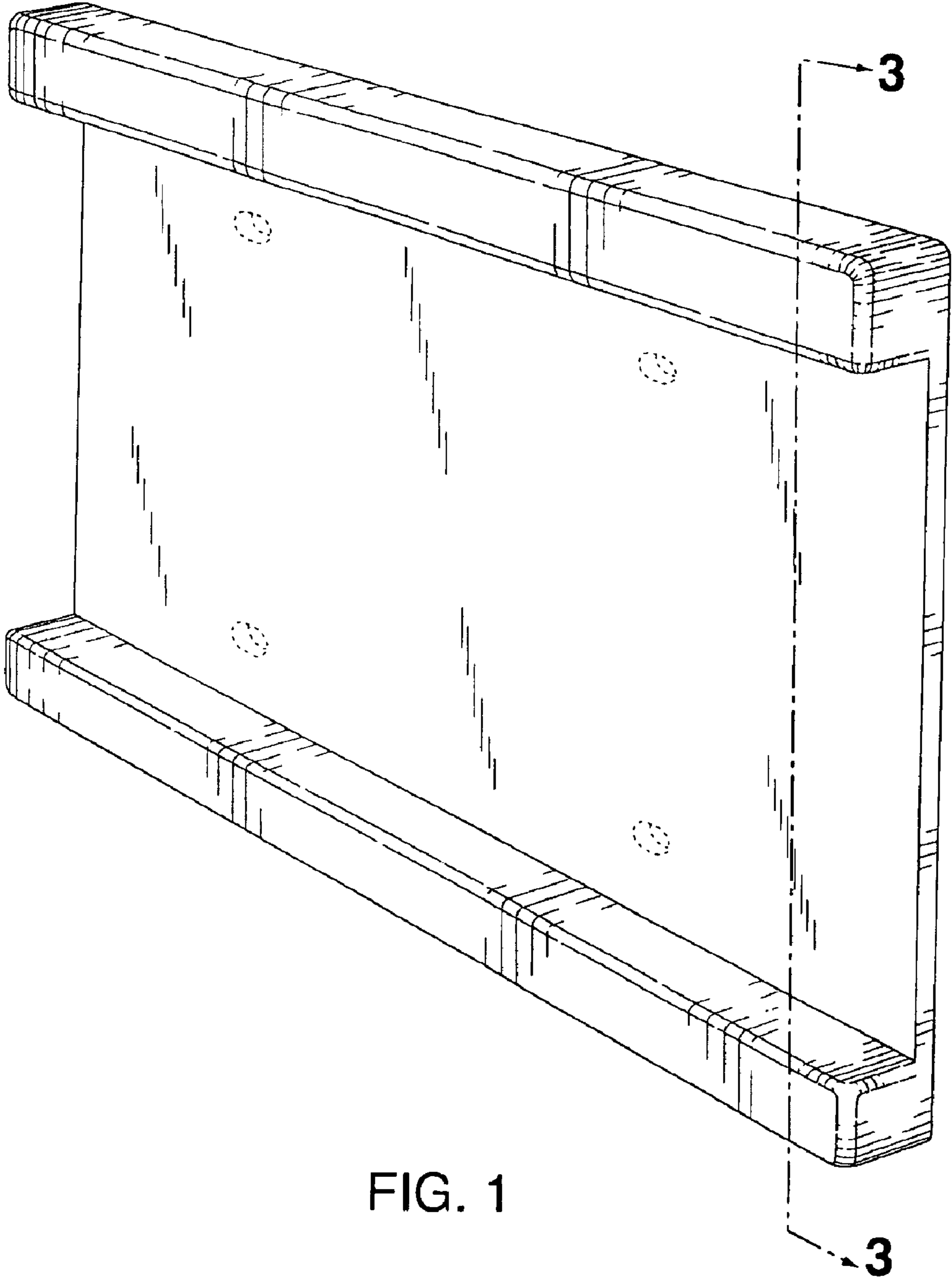


FIG. 1

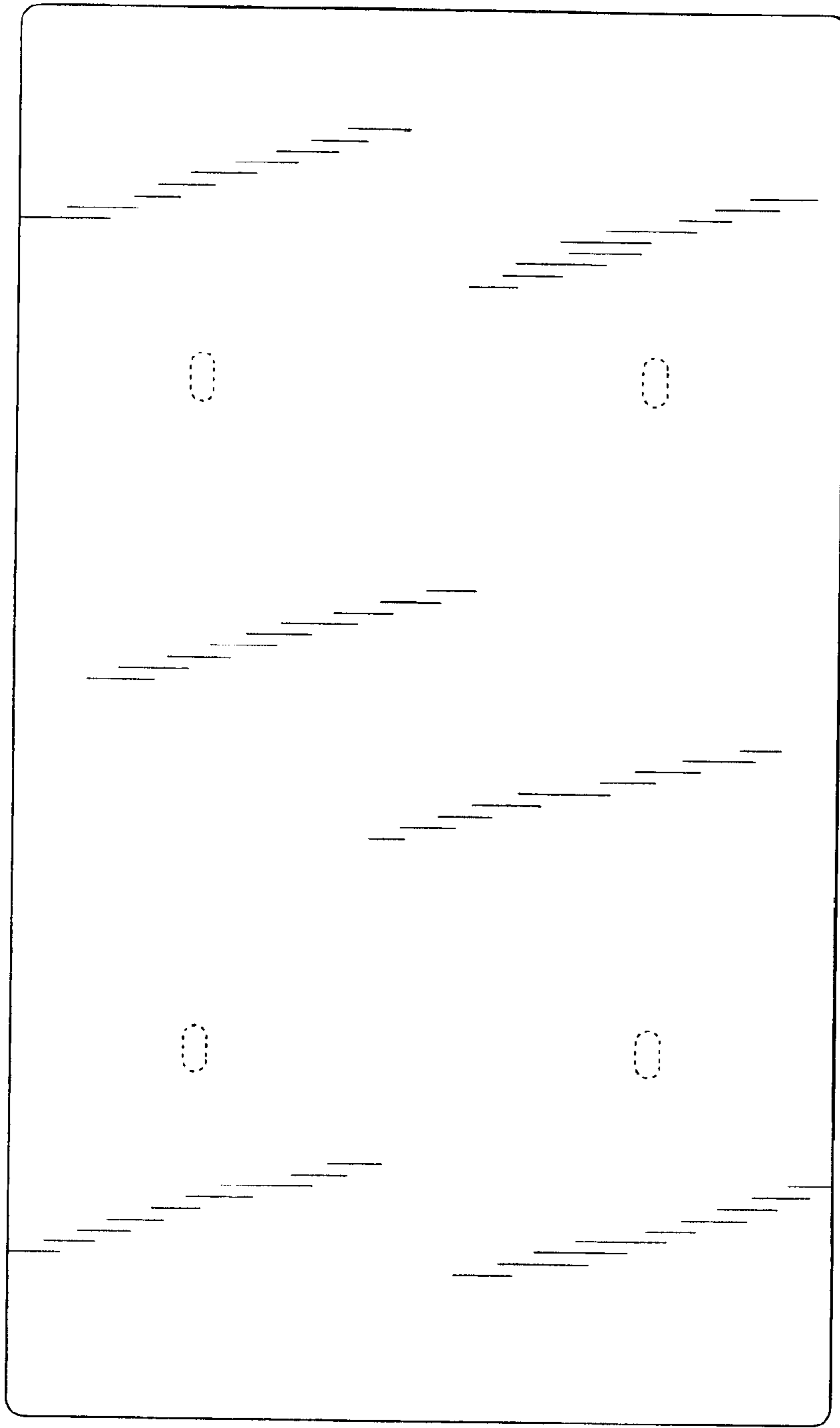


FIG. 2



FIG. 3

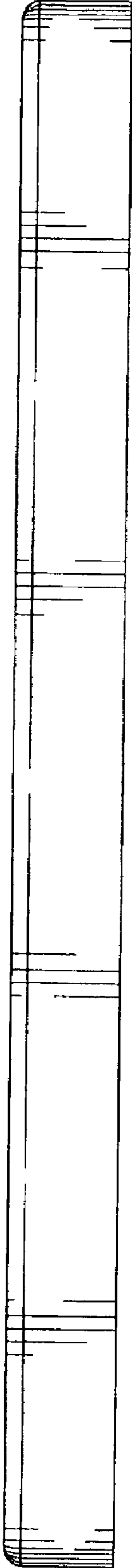


FIG. 4

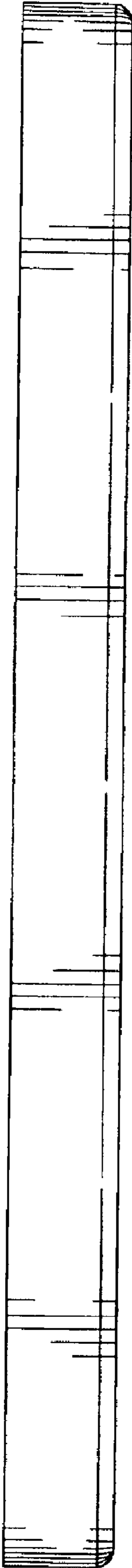


FIG. 5

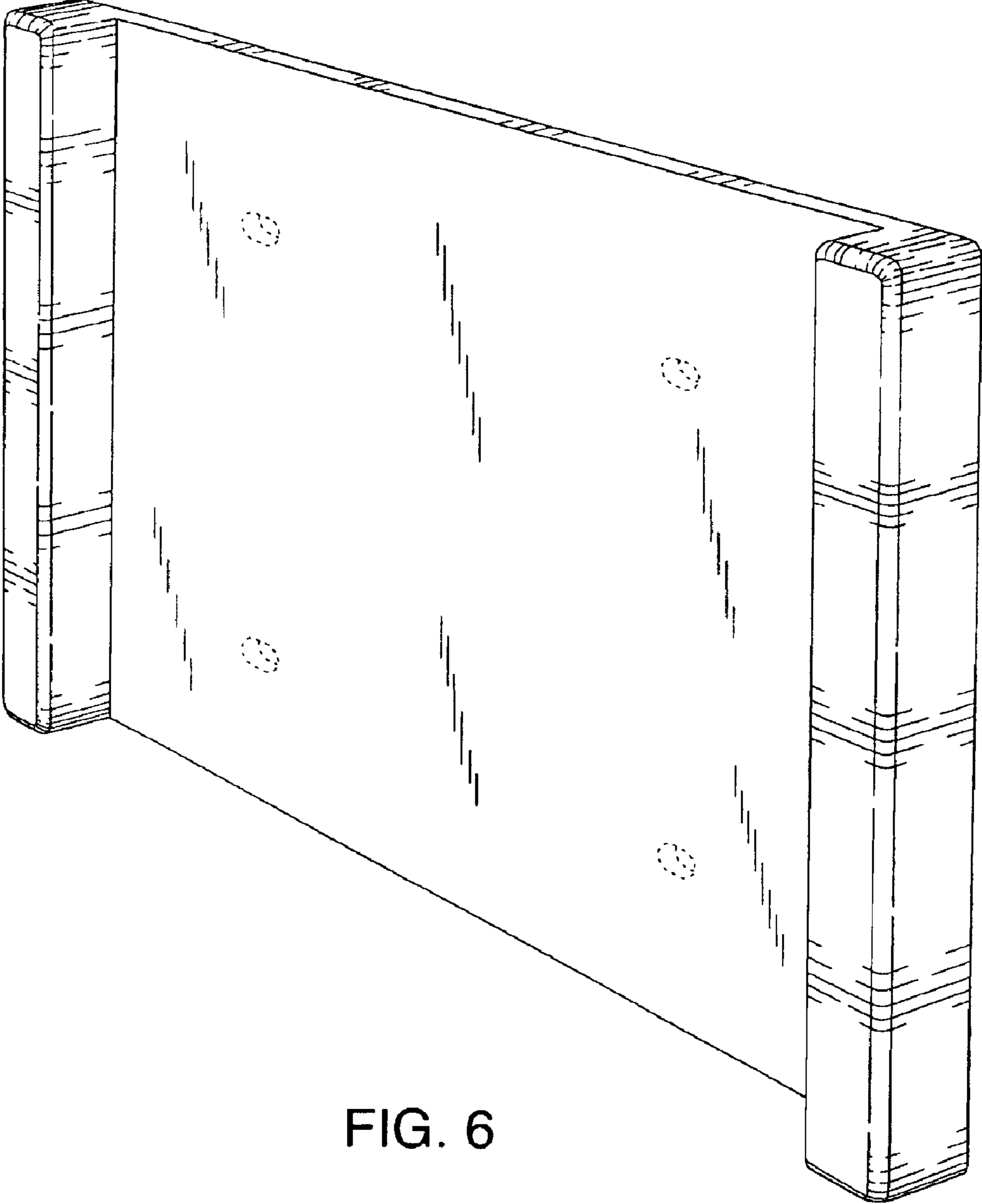


FIG. 6

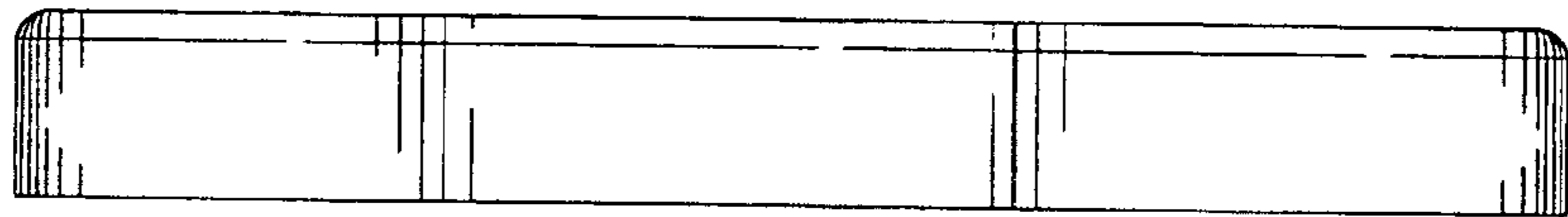


FIG. 8

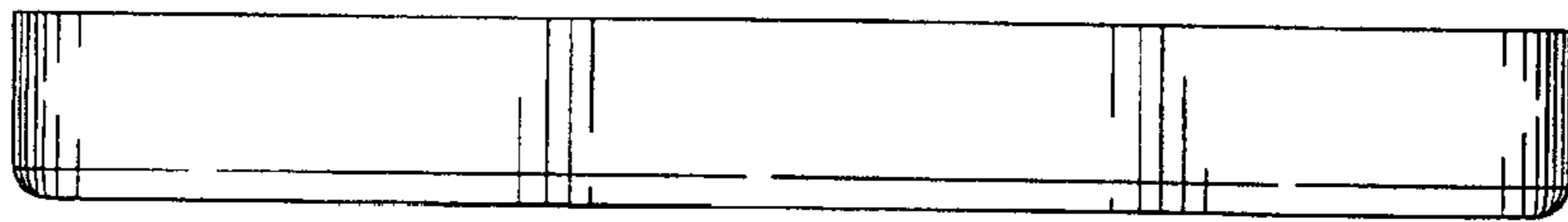


FIG. 7