

US00D502433S

(12) **United States Design Patent**
McClanahan

(10) **Patent No.:** **US D502,433 S**
(45) **Date of Patent:** **** Mar. 1, 2005**

(54) **VEHICLE BUMPER**

D472,854 S * 4/2003 Weber et al. D12/163

(75) Inventor: **Terold D. McClanahan**, San Diego,
CA (US)

* cited by examiner

Primary Examiner—Melody N. Brown

(73) Assignee: **American Outfitters, Inc.**, La Mesa,
CA (US)

(74) *Attorney, Agent, or Firm*—Richard D. Clarke

(**) Term: **14 Years**

(57) **CLAIM**

The ornamental design for a vehicle bumper, as shown and described.

(21) Appl. No.: **29/189,860**

DESCRIPTION

(22) Filed: **Sep. 10, 2003**

(51) **LOC (7) Cl.** **12-16**

(52) **U.S. Cl.** **D12/169**

(58) **Field of Search** D12/169, 196,
D12/190, 181, 171, 173; 296/180.1, 180.2;
293/102, 113, 115, 120, 143, 146

FIG. 1 is a front perspective view of a vehicle bumper showing my new design;

FIG. 2 is a front elevation a view thereof;

FIG. 3 is a rear elevational view thereof;

FIG. 4 is a top plan view thereof;

FIG. 5 is a bottom plan view thereof;

FIG. 6 is a side elevational view thereof;

FIG. 7 is an opposite side elevation view thereof;

FIG. 8 is a front elevational view a vehicle bumper showing a second embodiment of my new design, it is to be understood that all other views of the second embodiment are the same as in FIGS. 4–7; and,

FIG. 9 is a rear elevational view of FIG. 8.

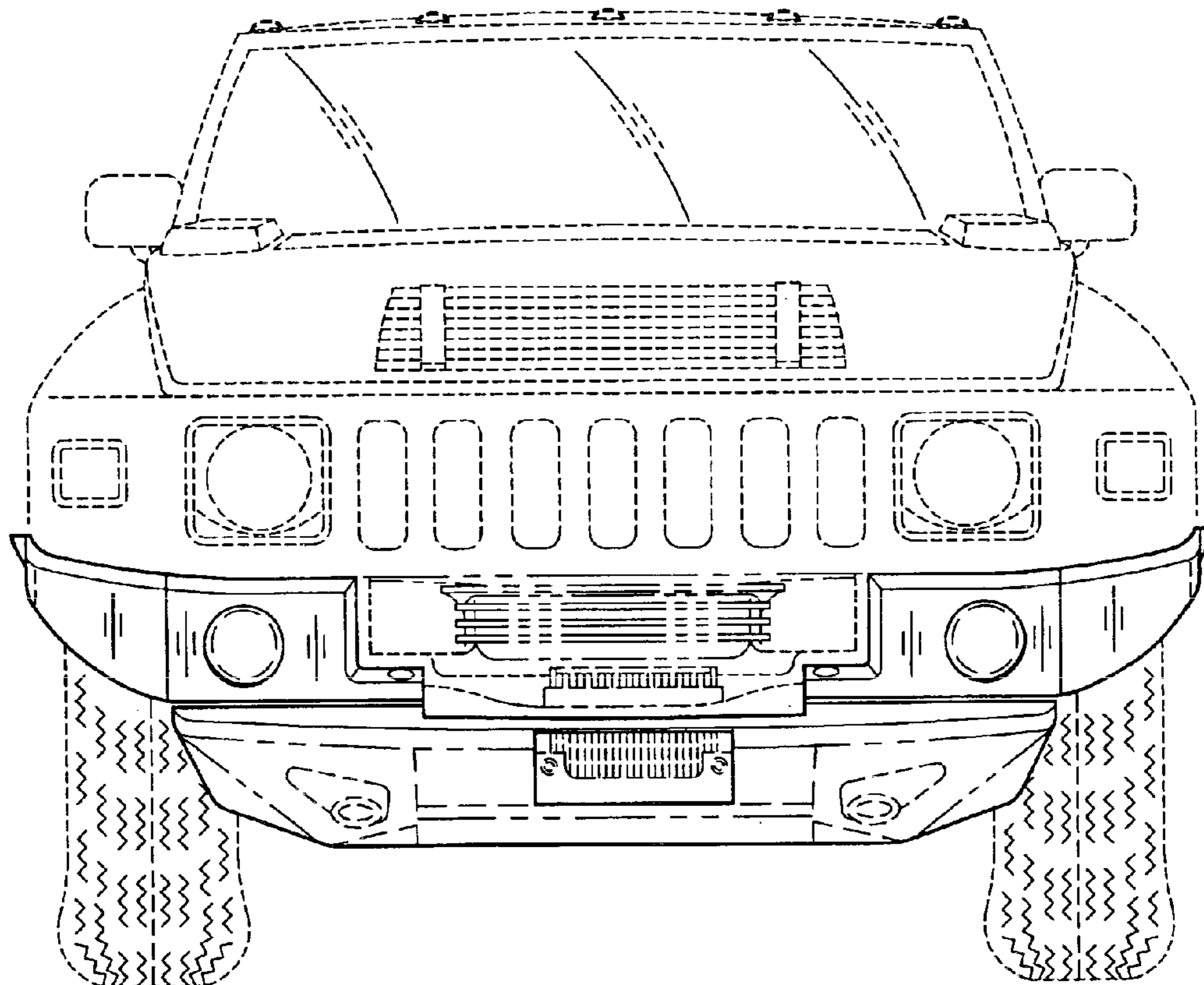
The broken line showing of a vehicle in FIG. 1 is for illustrative purposes only and forms no part of the claimed design.

(56) **References Cited**

U.S. PATENT DOCUMENTS

4,469,360 A	*	9/1984	Drury	293/102
D375,067 S	*	10/1996	Bronstein	D12/169
D432,469 S	*	10/2000	Nelson	D12/169
D454,098 S	*	3/2002	McGuinness	D12/171
D454,525 S	*	3/2002	McGuinness	D12/171
D454,817 S	*	3/2002	McGuinness	D12/171
D455,684 S	*	4/2002	McGuinness	D12/171
D455,988 S	*	4/2002	McGuinness	D12/171

1 Claim, 5 Drawing Sheets



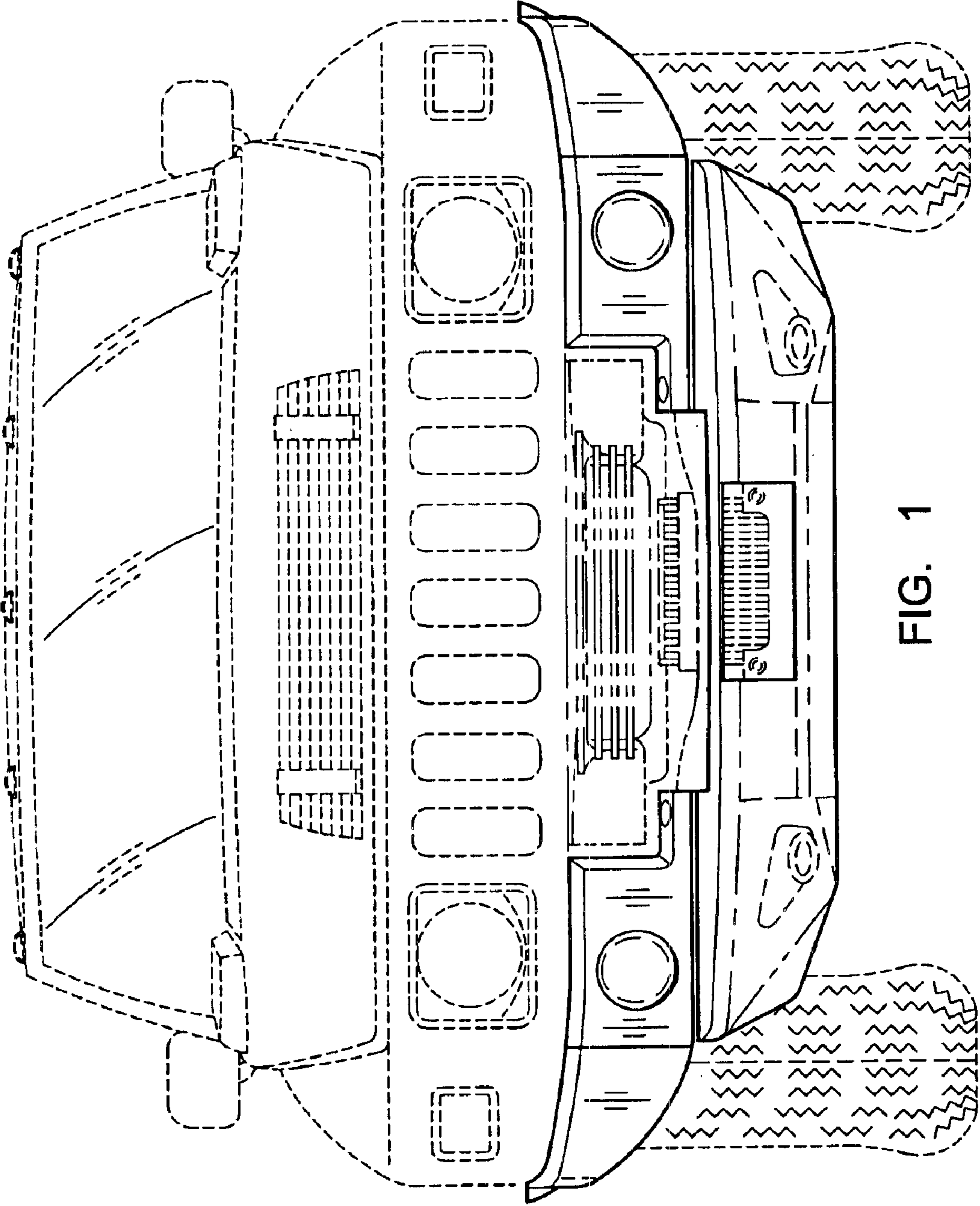


FIG. 1

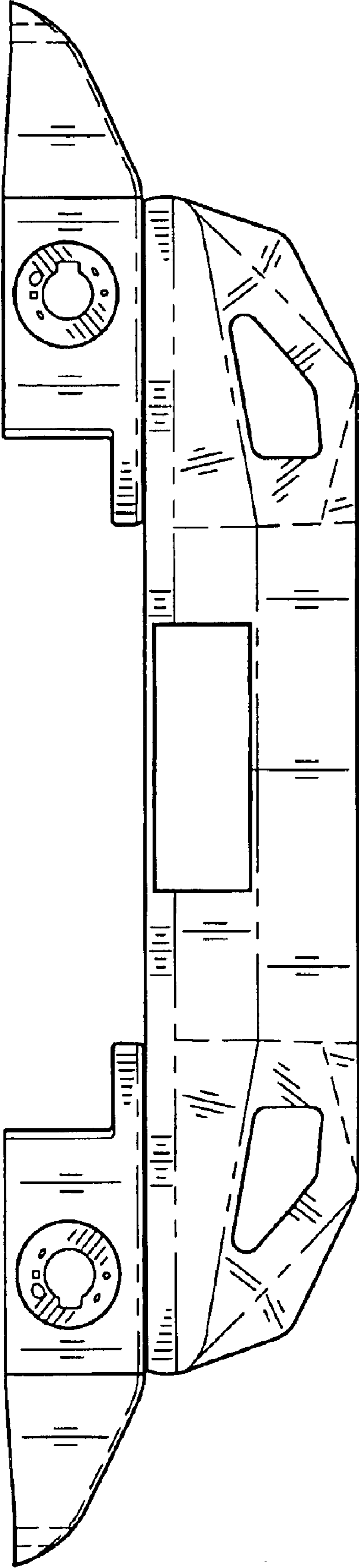


FIG. 2

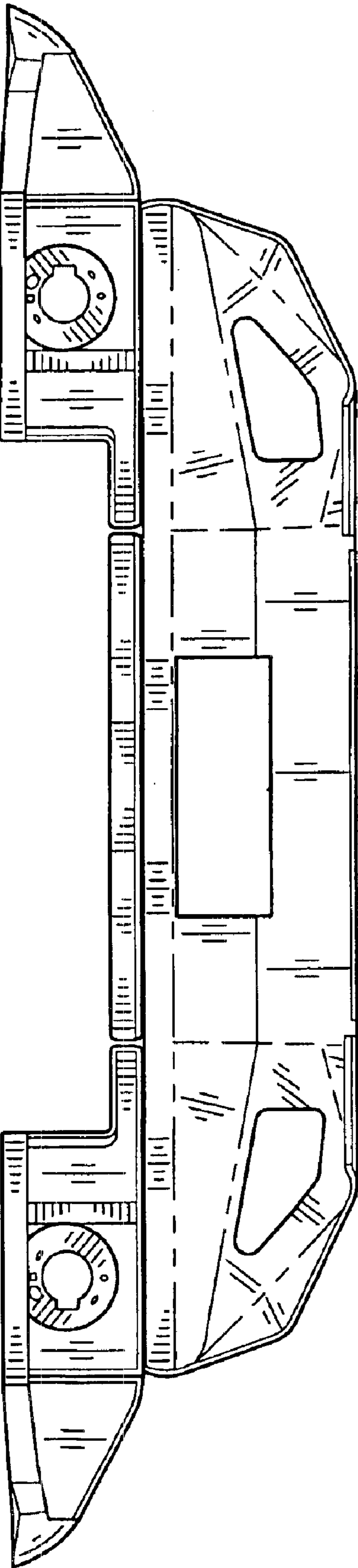


FIG. 3

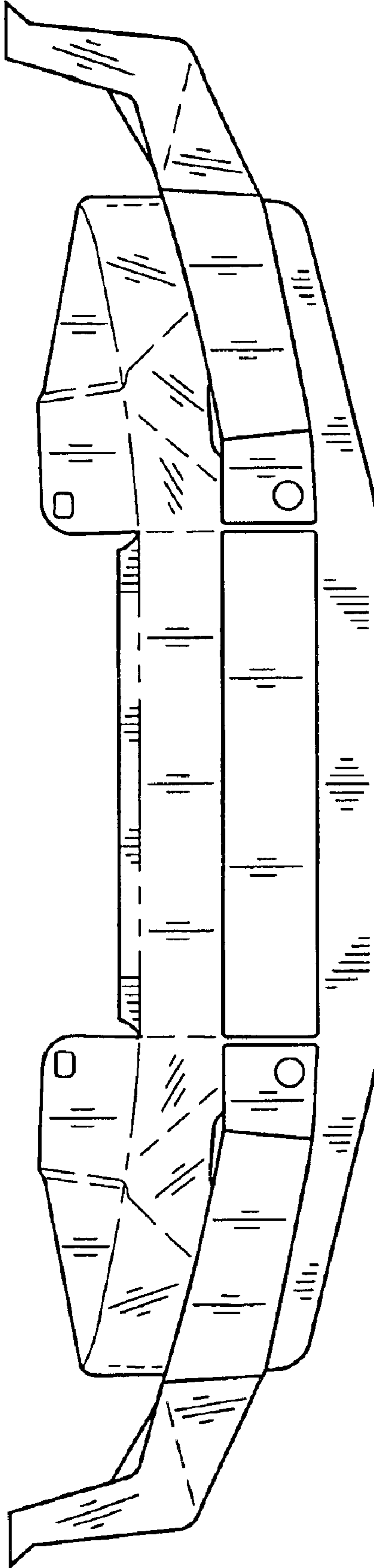


FIG. 4

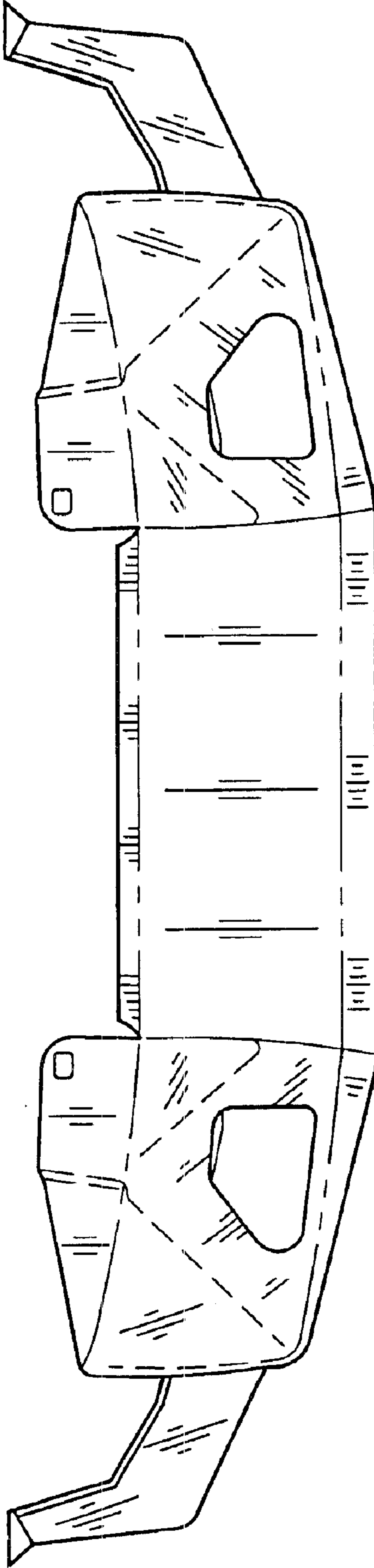


FIG. 5

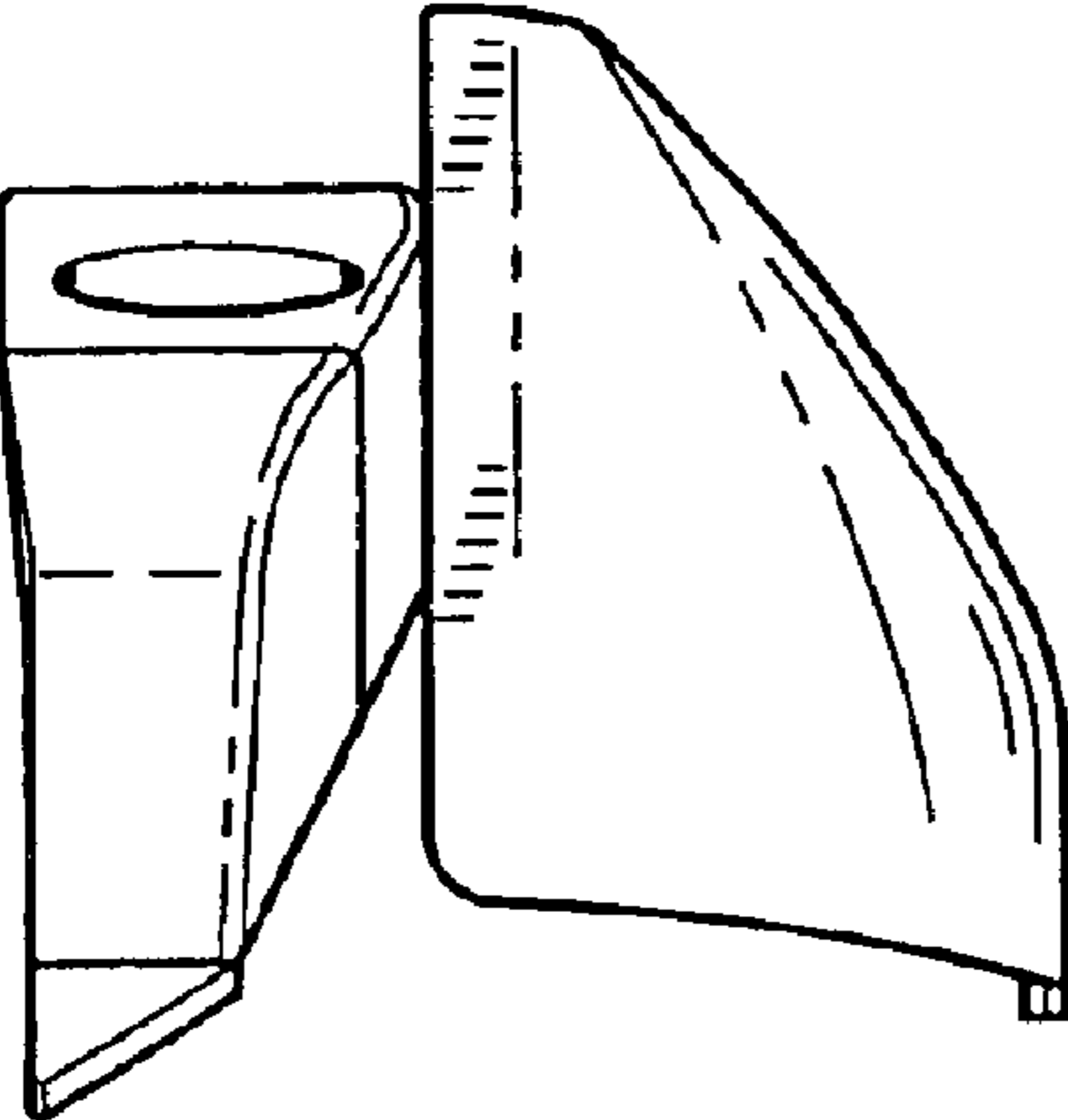


FIG. 7

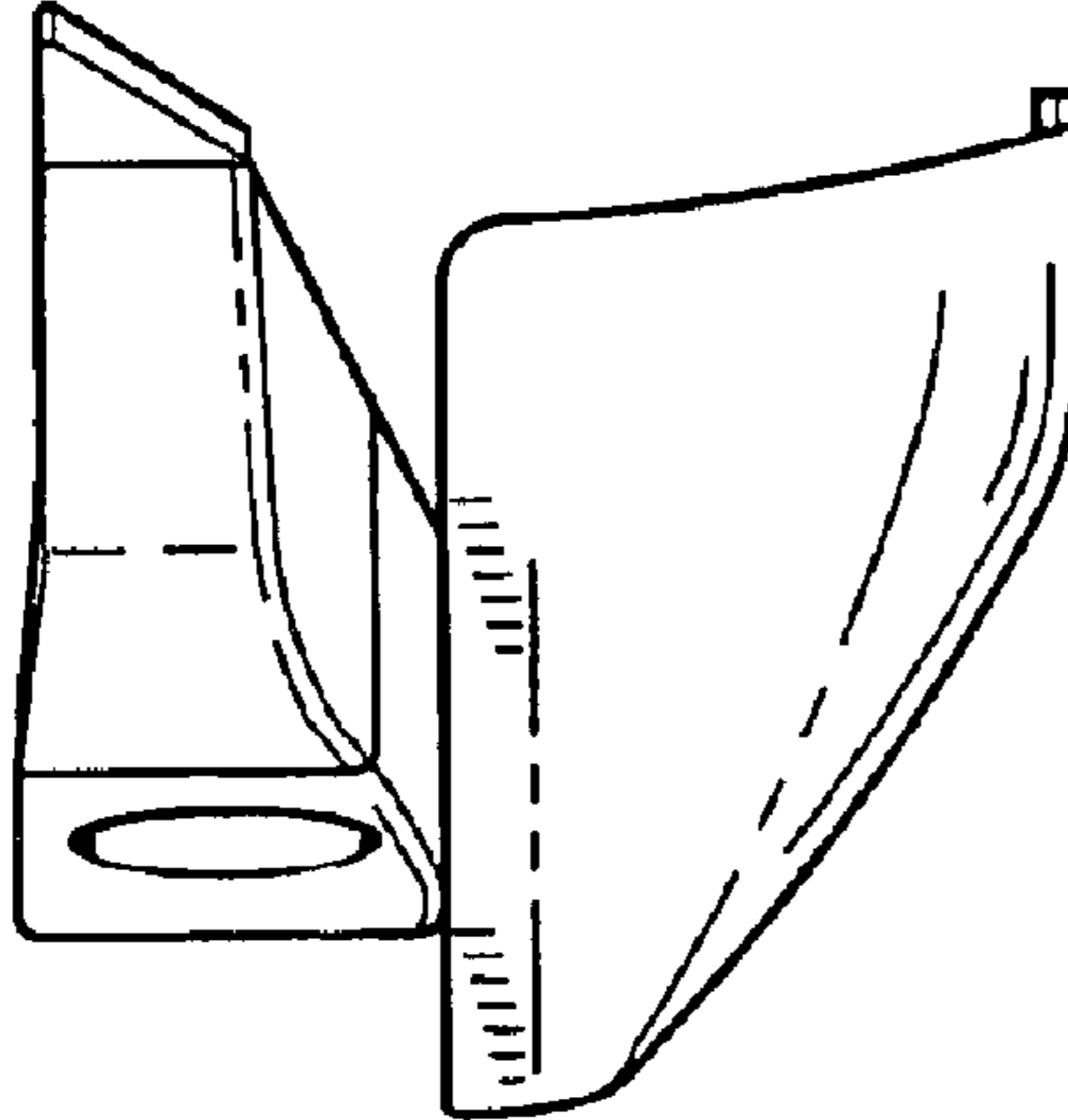


FIG. 6

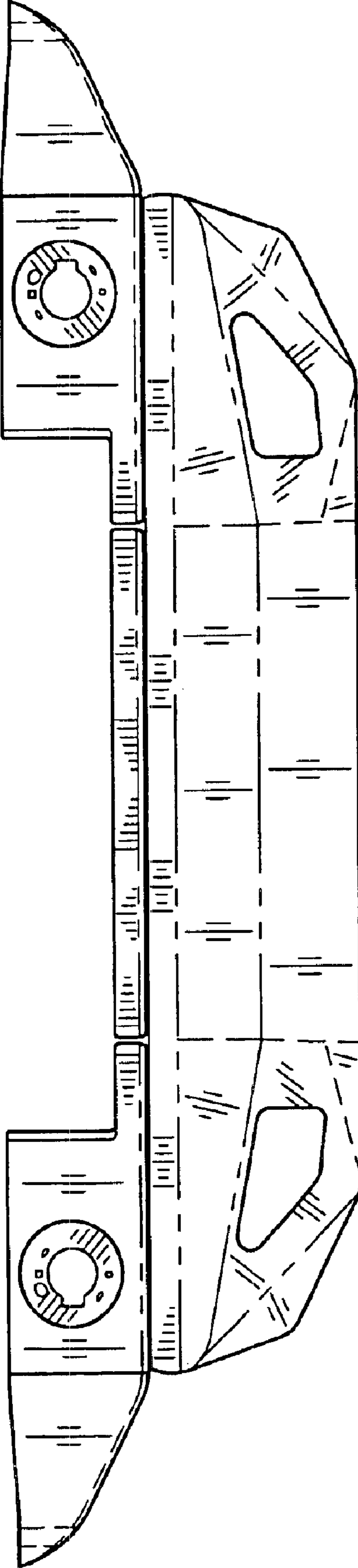


FIG. 8

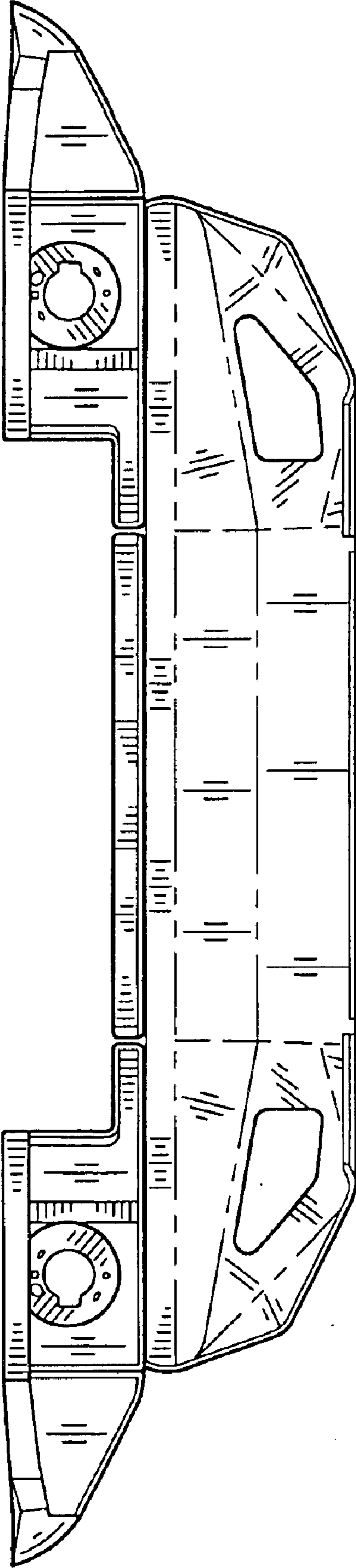


FIG. 9