

US00D502431S

(12) **United States Design Patent**
Matthies

(10) **Patent No.:** **US D502,431 S**
(45) **Date of Patent:** **** Mar. 1, 2005**

(54) **MOTORCYCLE-TO-TRIKE CONVERSION
KIT ADAPTER**

(76) Inventor: **Lawayne Matthies**, 1888 Mountain
Creek Pkwy., Dallas, TX (US) 75211

(**) Term: **14 Years**

(21) Appl. No.: **29/186,029**

(22) Filed: **Jul. 8, 2003**

(51) **LOC (7) Cl.** **12-11**

(52) **U.S. Cl.** **D12/114**

(58) **Field of Search** D12/111, 114,
D12/223, 159-162, 209, 210; 180/215,
217; 280/288.4; D8/16, 19, 349, 354, 366,
371, 373, 380

(56) **References Cited**

U.S. PATENT DOCUMENTS

D243,655 S	*	3/1977	Matousek et al.	D8/354
5,529,141 A	*	6/1996	Lehman et al.	180/209
D427,888 S	*	7/2000	Hannon	D8/354

* cited by examiner

Primary Examiner—Alan P. Douglas
Assistant Examiner—Linda Brooks
(74) *Attorney, Agent, or Firm*—James E. Walton

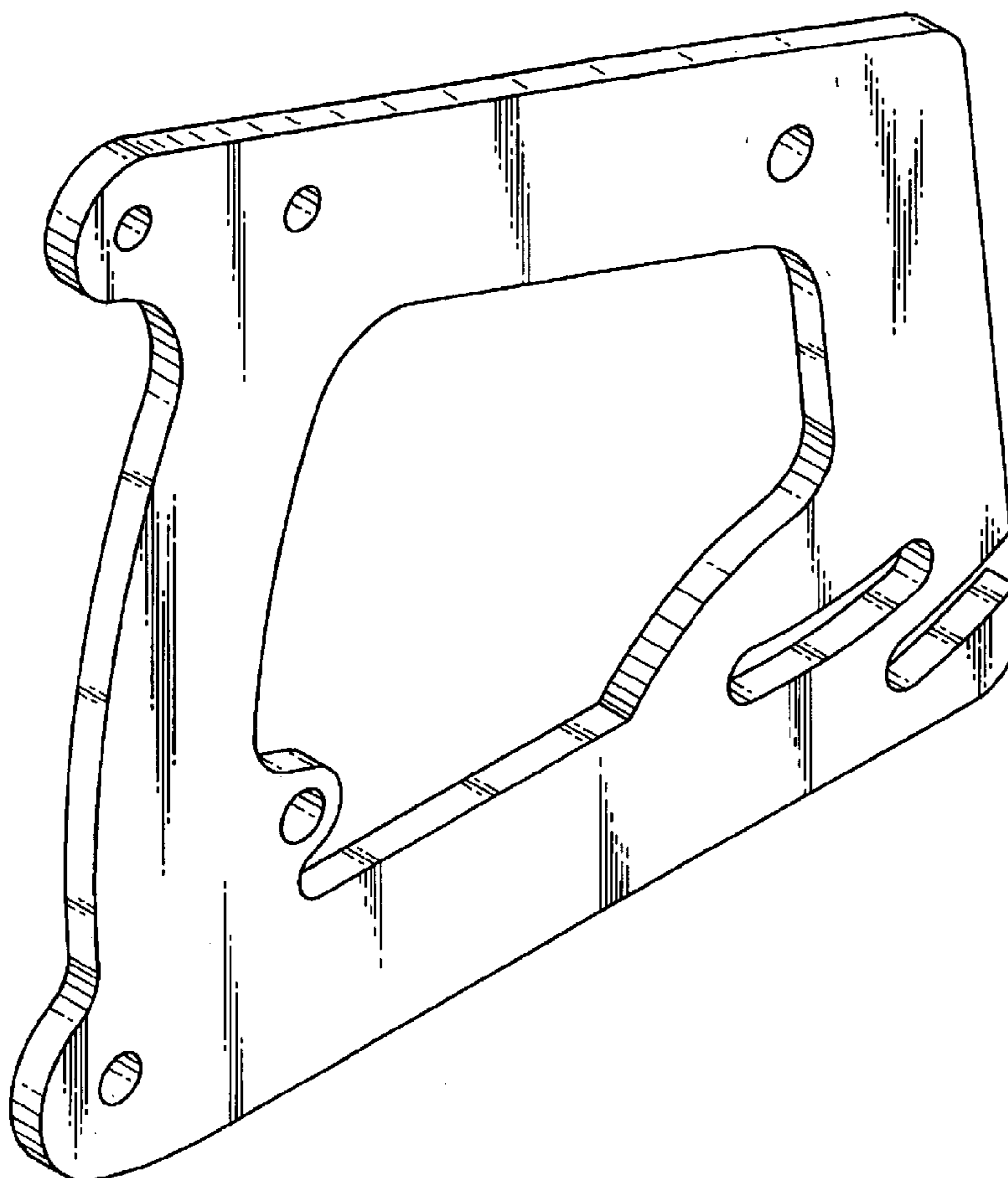
(57) **CLAIM**

The ornamental design for a motorcycle-to-trike conversion kit adapter, as shown and described.

DESCRIPTION

FIG. 1 is a perspective view of the motorcycle-to-trike conversion kit adapter according to the present invention. FIG. 2 is a top view of the motorcycle-to-trike conversion kit adapter according to the present invention. FIG. 3 is a front view of the motorcycle-to-trike conversion kit adapter according to the present invention. The rear view is a mirror image of the front view. FIG. 4 is a left side view of the motorcycle-to-trike conversion kit adapter according to the present invention. FIG. 5 is a right side view of the motorcycle-to-trike conversion kit adapter according to the present invention; and, FIG. 6 is a bottom view of the motorcycle-to-trike conversion kit adapter according to the present invention.

1 Claim, 2 Drawing Sheets



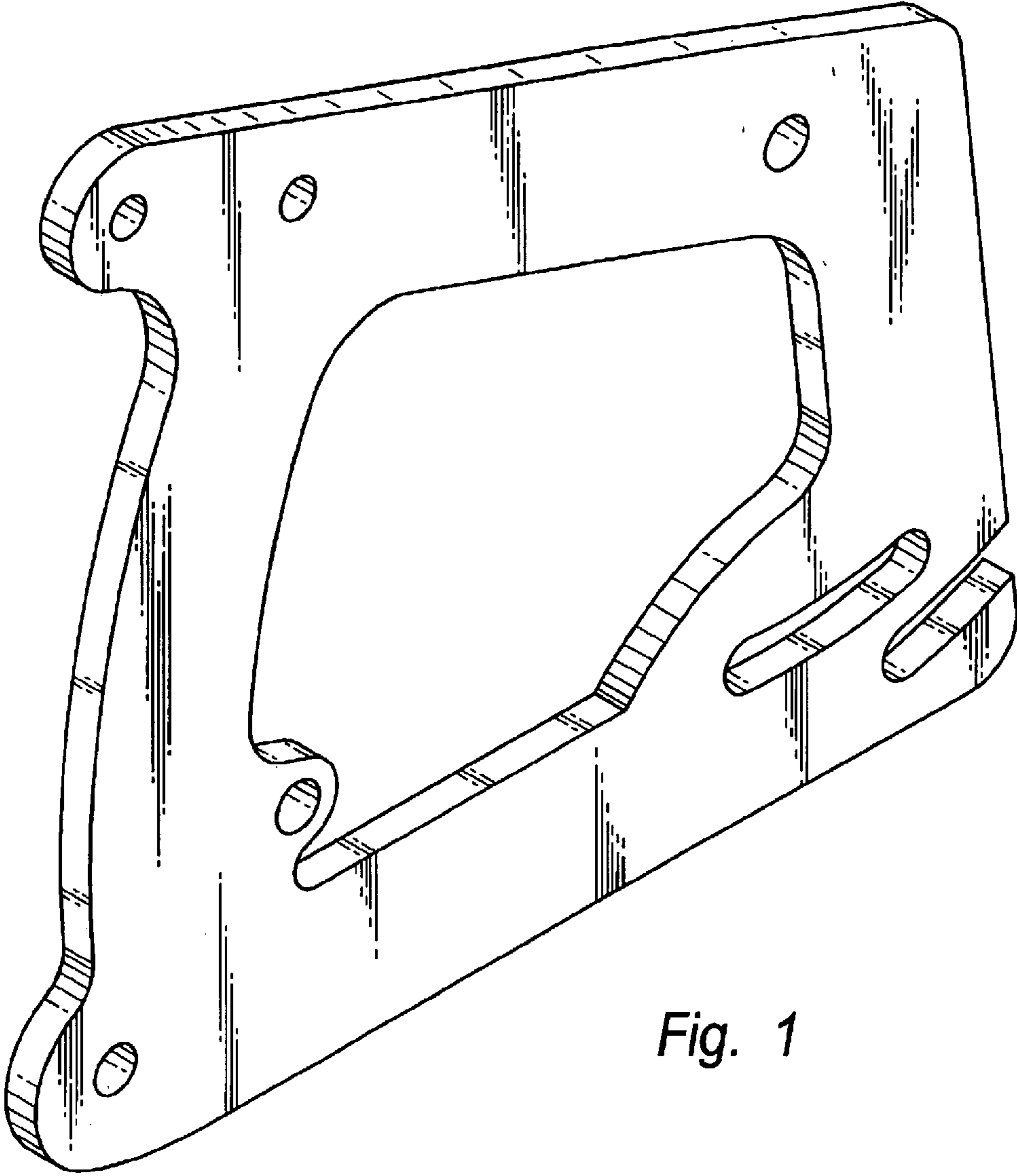


Fig. 1



Fig. 2



Fig. 6

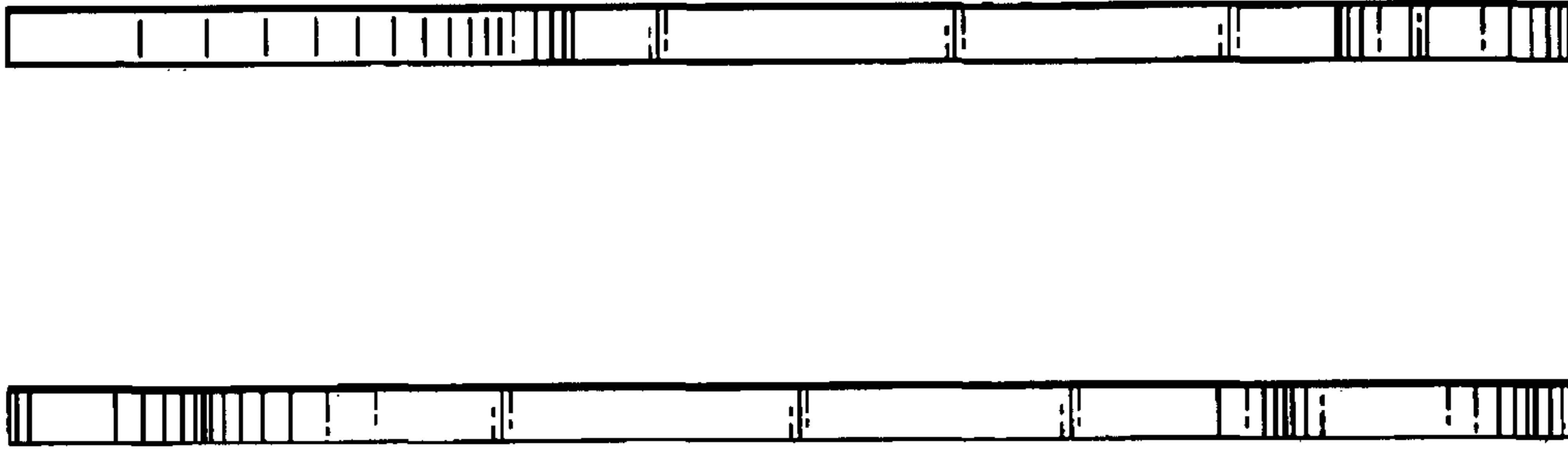


Fig. 4 Fig. 5

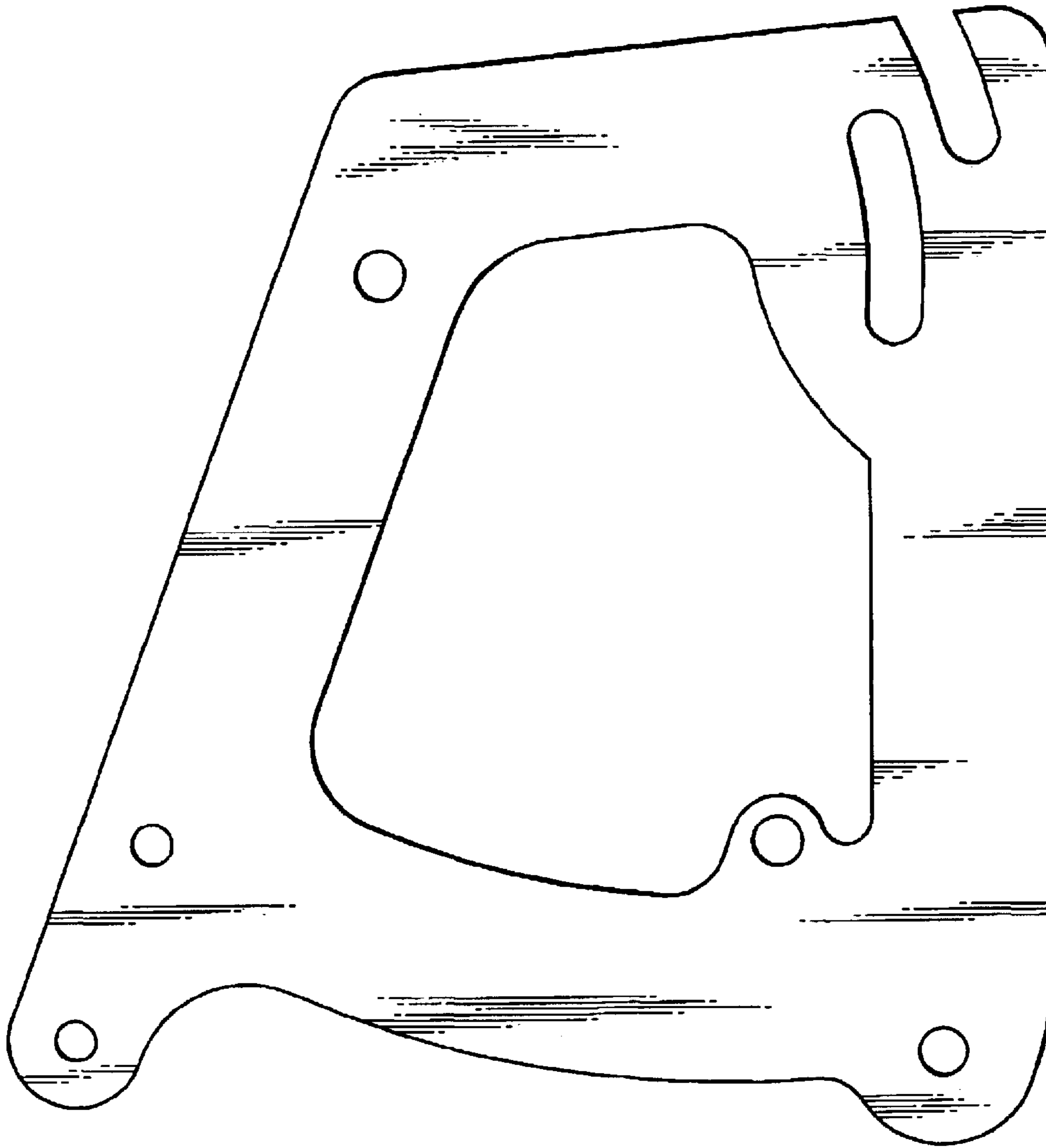


Fig. 3