

US00D502424S

(12) **United States Design Patent**
Siman-Tov et al.

(10) **Patent No.:** **US D502,424 S**
(45) **Date of Patent:** **** Mar. 1, 2005**

(54) **GEMSTONE**

(76) Inventors: **Jacob Siman-Tov**, 1 Jabotinsky Street,
Ramat Gan (IL), 52520; **Itzhak**
Siman-Tov, 1 Jabotinsky Street, Ramat
Gan (IL), 52520; **Avraham Siman-Tov**,
1 Jabotinsky Street, Ramat Gan (IL),
52520

(**) **Term:** **14 Years**

(21) **Appl. No.:** **29/195,867**

(22) **Filed:** **Dec. 17, 2003**

(30) **Foreign Application Priority Data**

Jun. 17, 2003 (GB) 3013197

(51) **LOC (7) Cl.** **11-01**

(52) **U.S. Cl.** **D11/90**

(58) **Field of Search** D11/1-2, 26-29,
D11/89, 92; 63/26-28, 32

(56) **References Cited**

U.S. PATENT DOCUMENTS

D324,003 S * 2/1992 Baranes D11/90

D389,425 S * 1/1998 Rosenberg D11/90
D401,183 S * 11/1998 Ambar D11/90
D454,517 S * 3/2002 Yuan et al. D11/90
D462,922 S * 9/2002 Yuan et al. D11/90

* cited by examiner

Primary Examiner—Ralf Seifert
(74) *Attorney, Agent, or Firm*—Michelle L. Samonek;
McDonough Holland & Allen PC

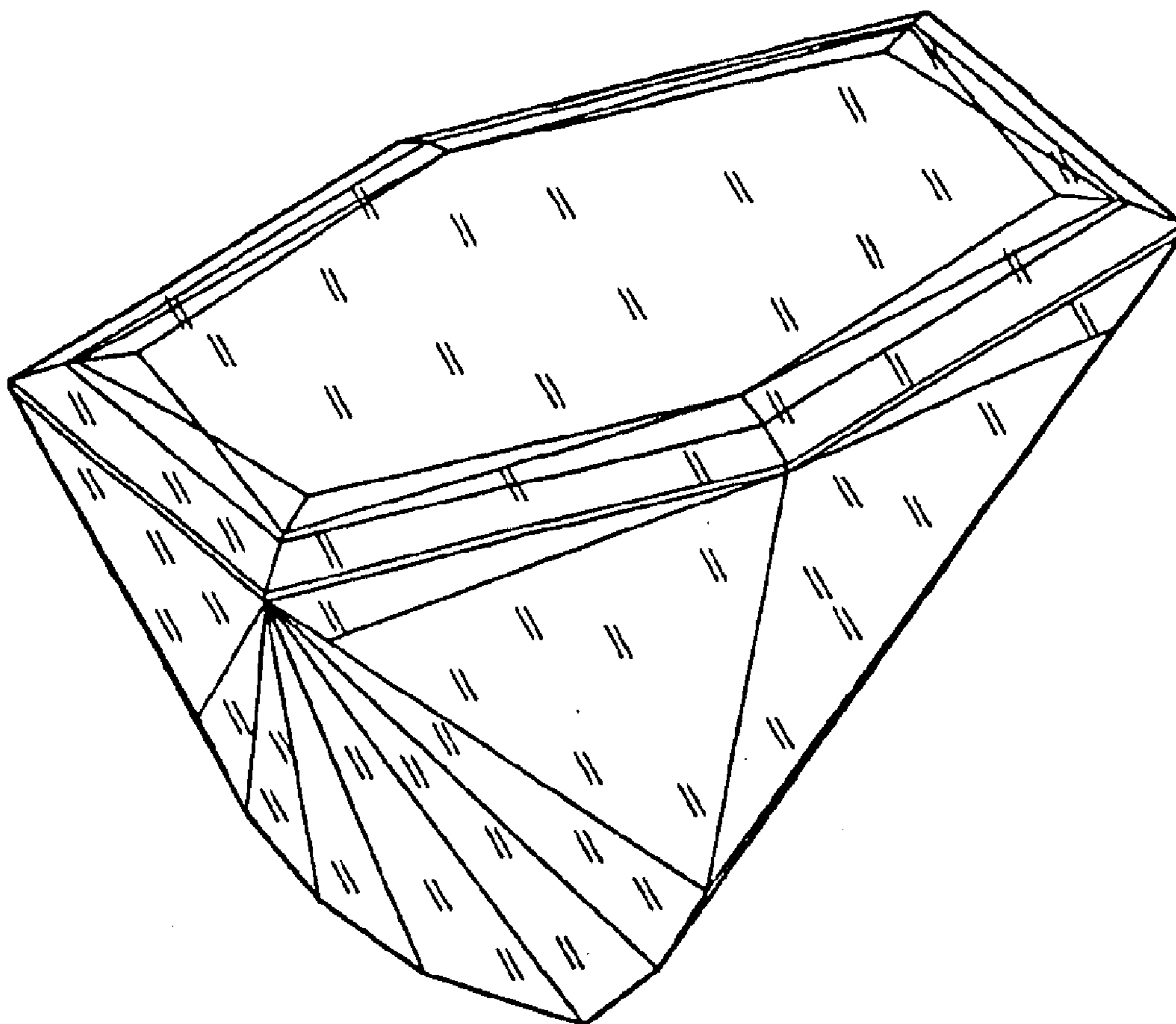
(57) **CLAIM**

The ornamental design for a gemstone, as shown and described.

DESCRIPTION

FIG. 1 is a top perspective view of a gemstone showing my new design;
FIG. 2 is a bottom perspective view thereof;
FIG. 3 is an end view thereof;
FIG. 4 is a side view thereof; and,
FIG. 5 is a top view thereof.

1 Claim, 2 Drawing Sheets



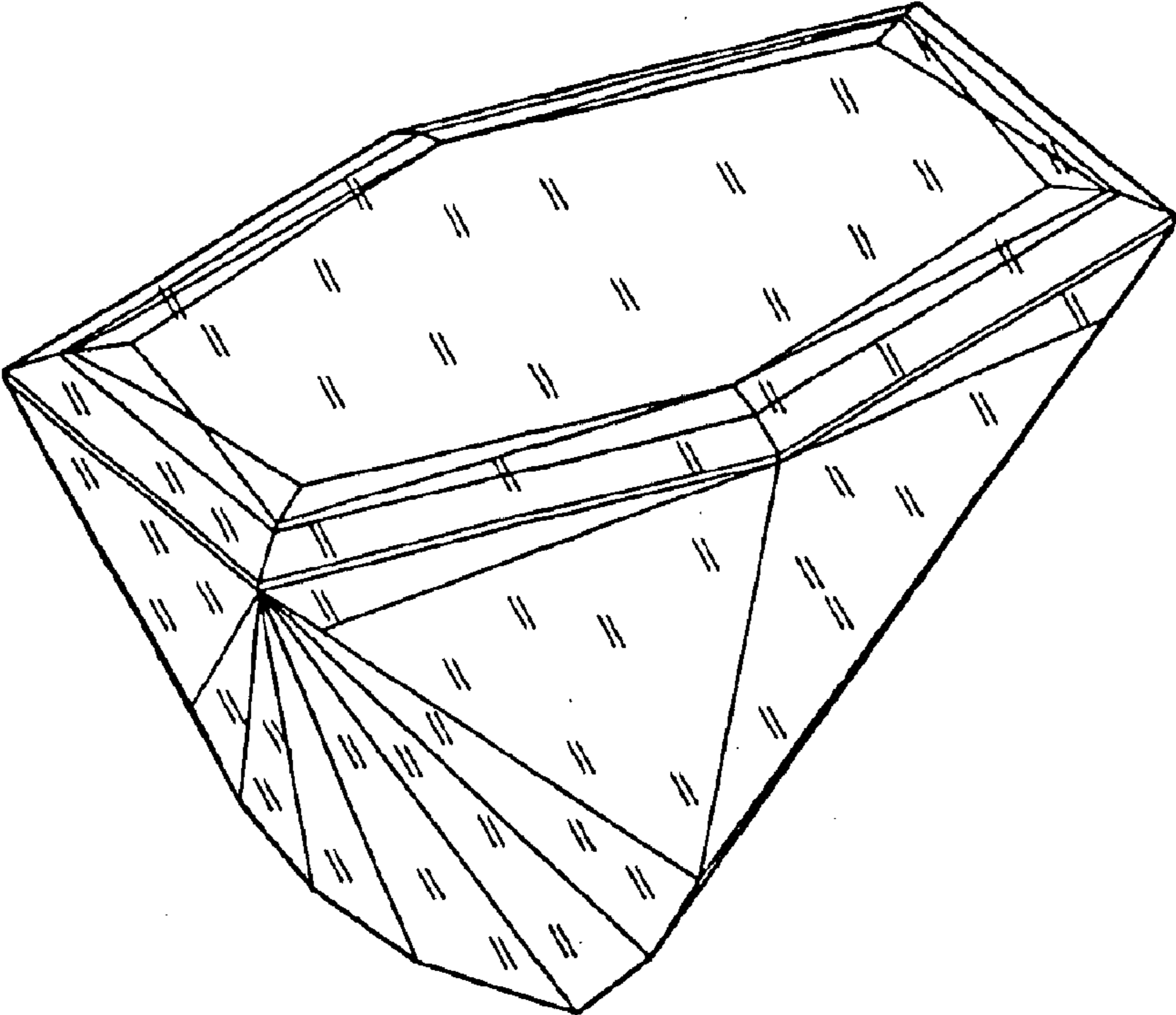


FIG.1

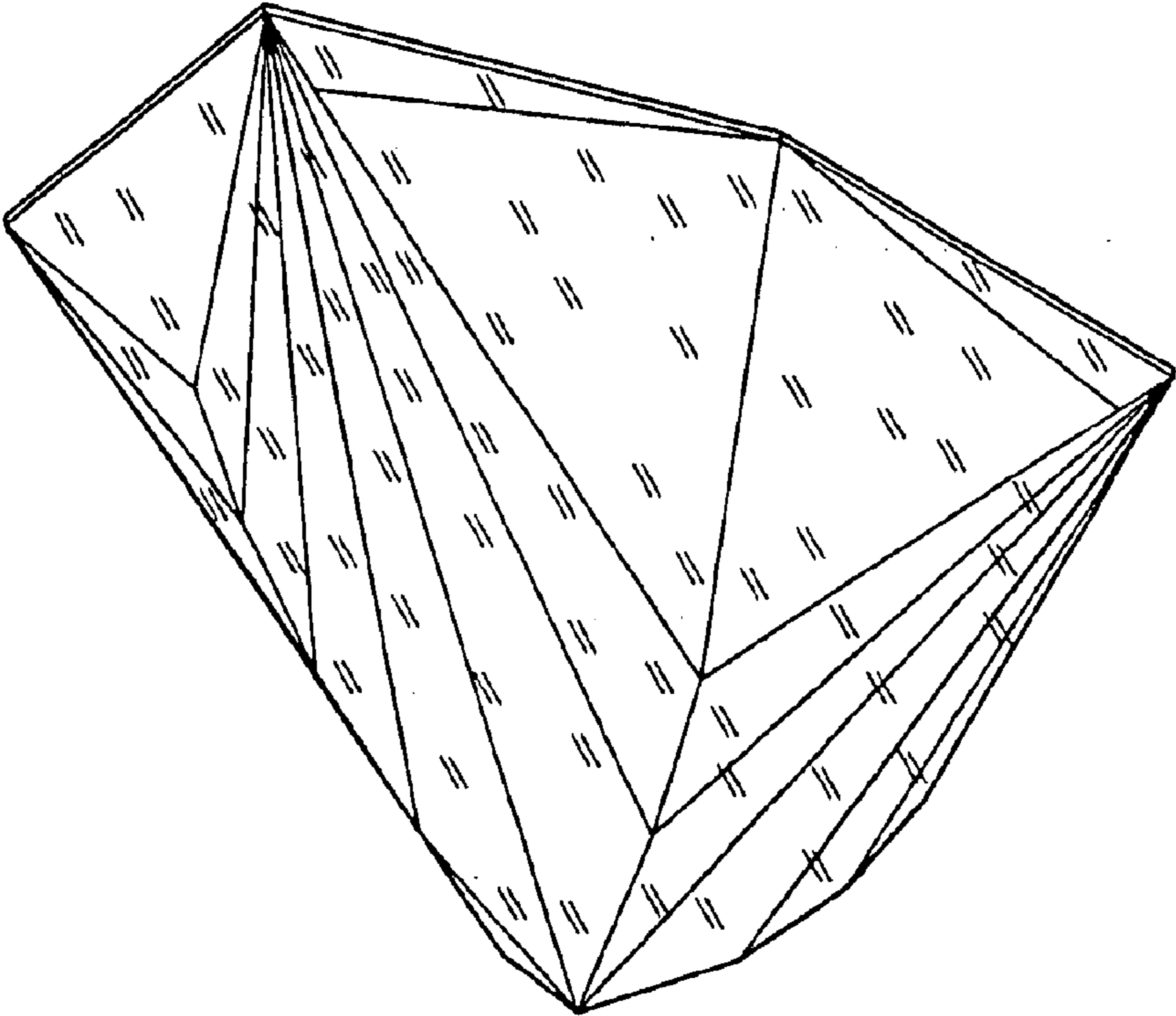


FIG.2

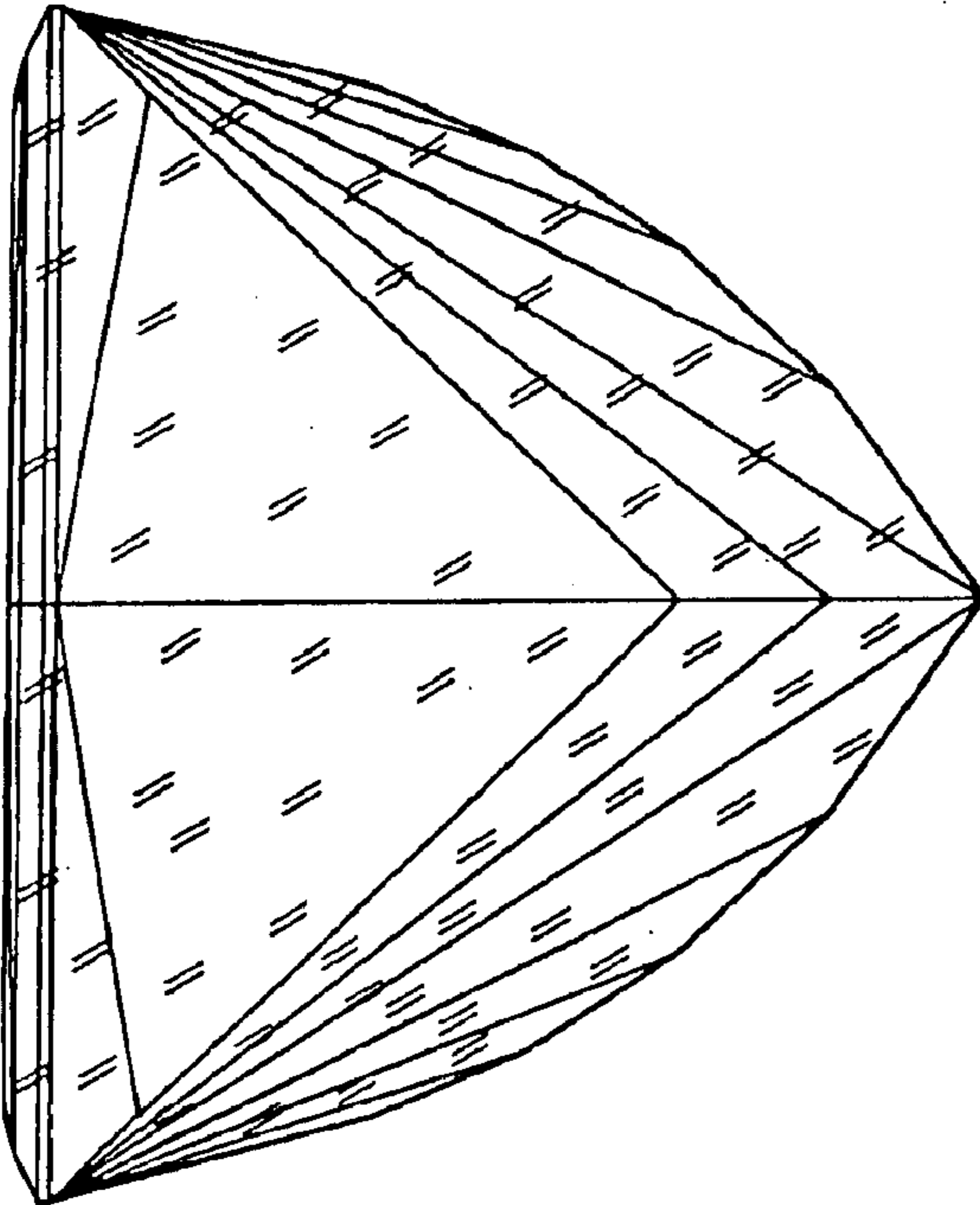


FIG. 4

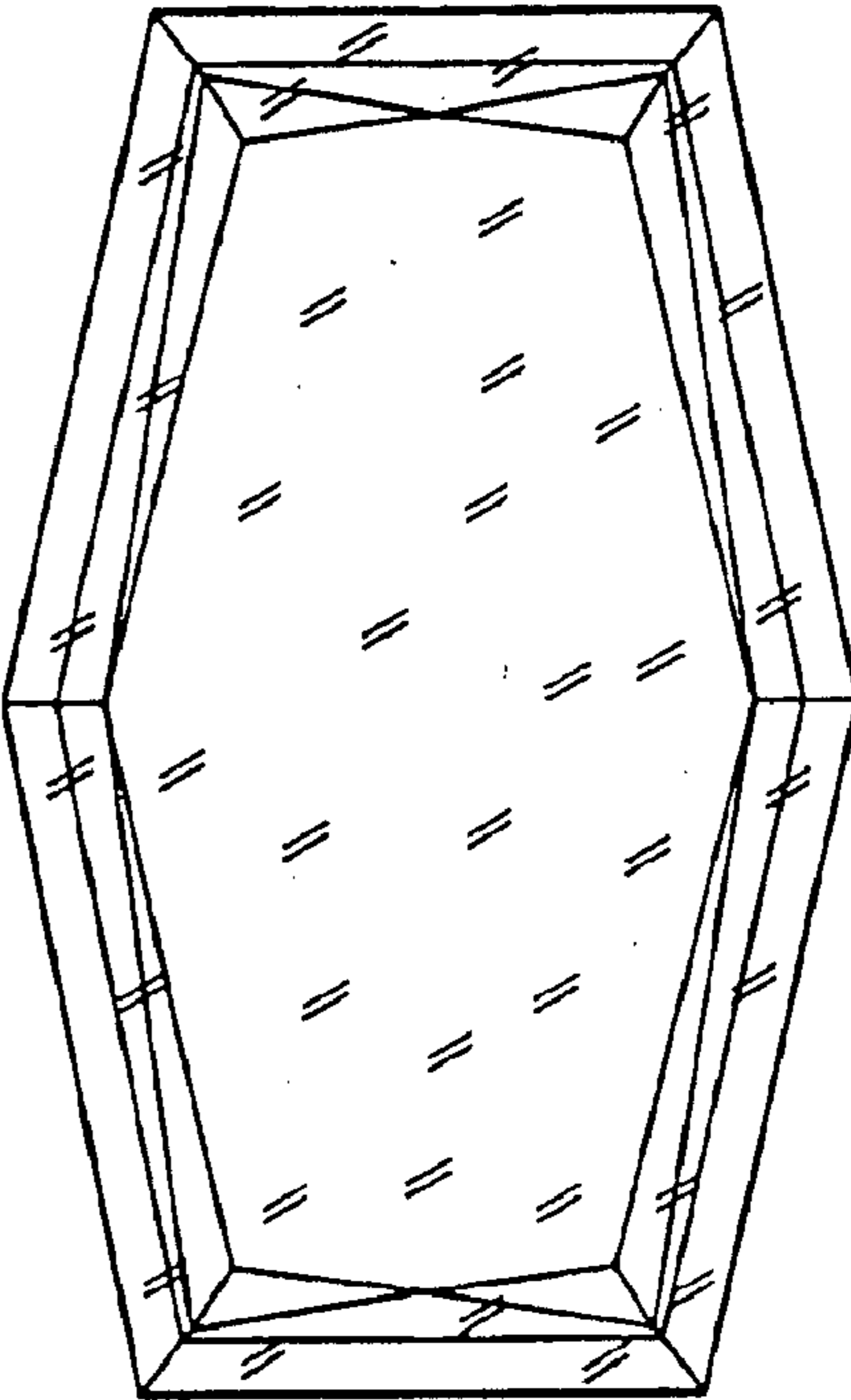


FIG. 5

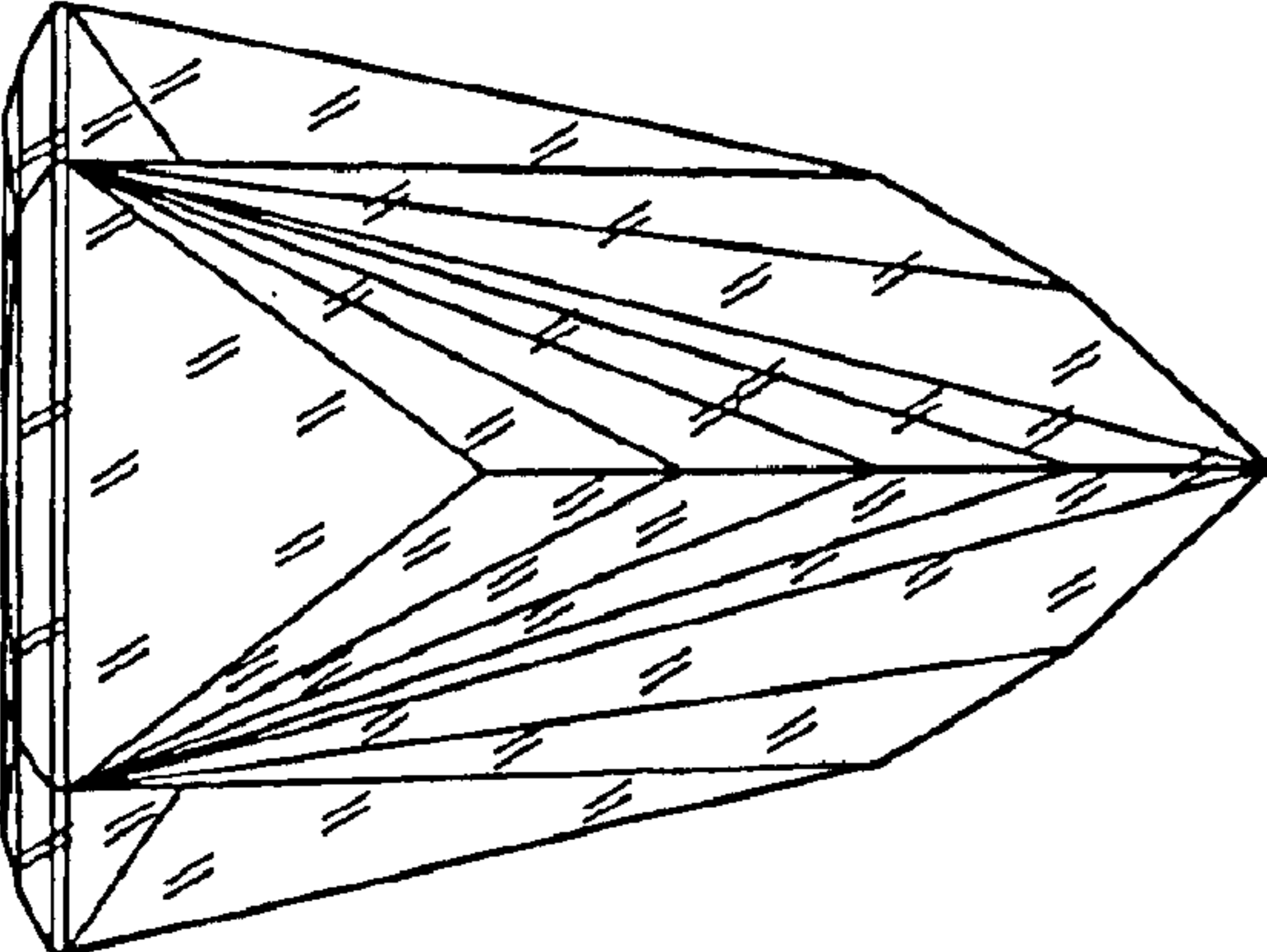


FIG. 3