



US00D502423S

(12) **United States Design Patent**
Reed

(10) **Patent No.:** **US D502,423 S**
(45) **Date of Patent:** **** Mar. 1, 2005**

(54) **STAR-OF-DAVID PUZZLE FINGER RING**

D411,965 S * 7/1999 Ruegg, Sr. D11/40

(76) Inventor: **John Reed**, 36 Scenic Rd., Fairfax, CA
(US) 94930

(**) Term: **14 Years**

(21) Appl. No.: **29/178,652**

(22) Filed: **Mar. 28, 2003**

(51) **LOC (7) Cl.** **11-01**

(52) **U.S. Cl.** **D11/30**

(58) **Field of Search** D11/26-40, 70,
D11/79, 43, 44; 63/15, 15.1-15.9

OTHER PUBLICATIONS

Ebay Picture of Claddagh 4-Band Puzzle Ring, Jun. 19,
2001.

Ebay Pictures of 2 and 4 Band Puzzle Rings, May 20, 2001.

* cited by examiner

Primary Examiner—Catherine R. Oliver

(74) *Attorney, Agent, or Firm*—Jack Lo

(57) **CLAIM**

The ornamental design for a star-of-david puzzle finger ring,
as shown and described.

(56) **References Cited**

DESCRIPTION

U.S. PATENT DOCUMENTS

367,896 A	8/1887	Davidson	63/15.4
424,211 A	3/1890	Kaas et al.	63/15.3
1,972,128 A	9/1934	Bobbroff	63/15
2,016,679 A	10/1935	Mayer	63/15.1
2,220,408 A	11/1940	Kalina	63/15
D170,241 S	* 8/1953	Robbins	D11/201
2,859,971 A	11/1958	Grant	63/15.4
D234,029 S	* 12/1974	Friedman	D11/34
D250,518 S	* 12/1978	Friedman	D11/108
D319,604 S	* 9/1991	Peterson	D11/79
D329,991 S	* 10/1992	Gonzalez	D11/30
D343,139 S	* 1/1994	Cooper	D11/30

FIG. 1 is a front perspective view of a star-of-david puzzle
finger ring showing my new design.

FIG. 2 is a front view thereof.

FIG. 3 is a rear view thereof.

FIG. 4 is a right side view thereof.

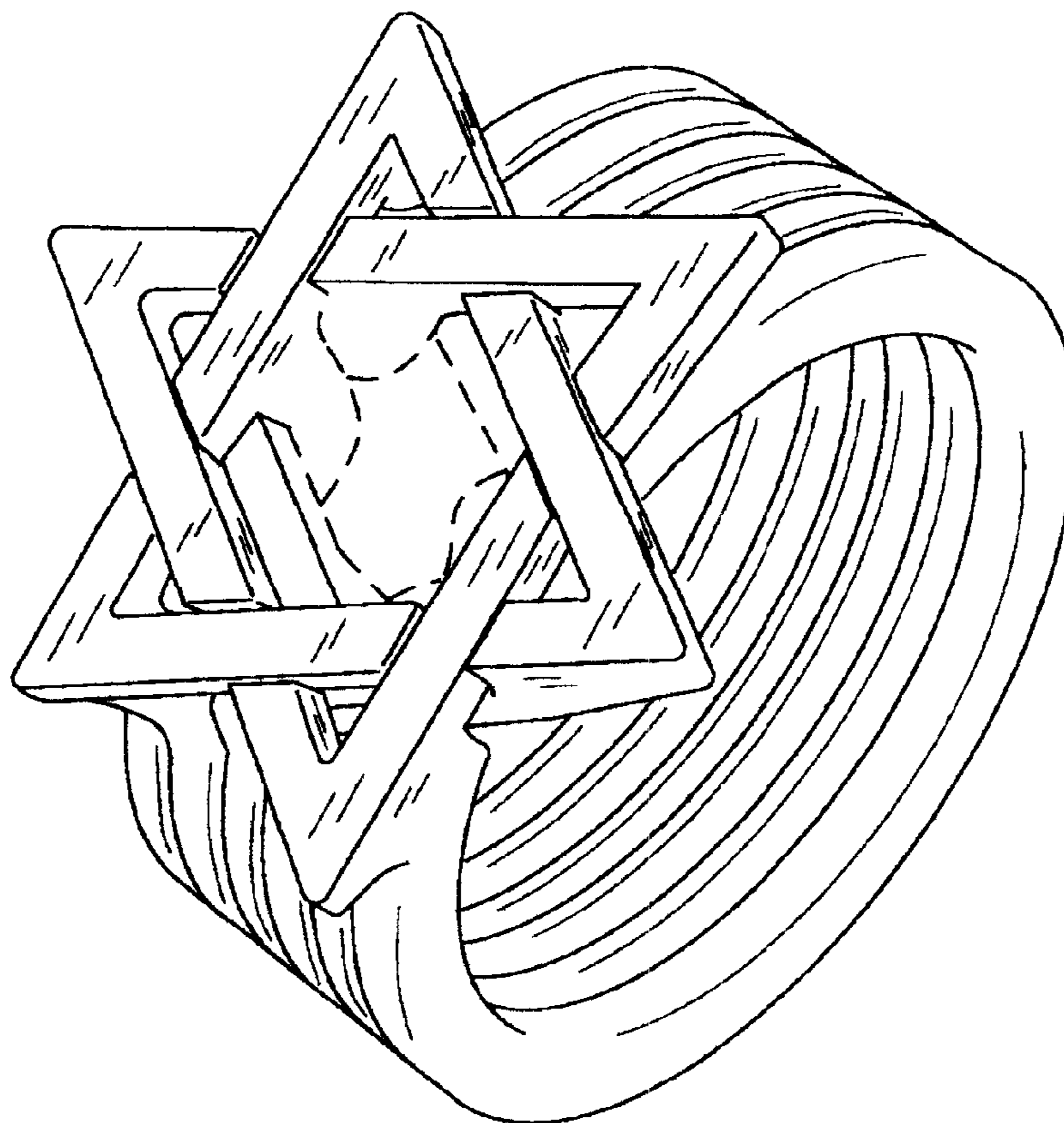
FIG. 5 is a left side view thereof.

FIG. 6 is a top view thereof; and,

FIG. 7 is a bottom view thereof.

The broken lines which define the bounds of the claimed
design form no part thereof.

1 Claim, 4 Drawing Sheets



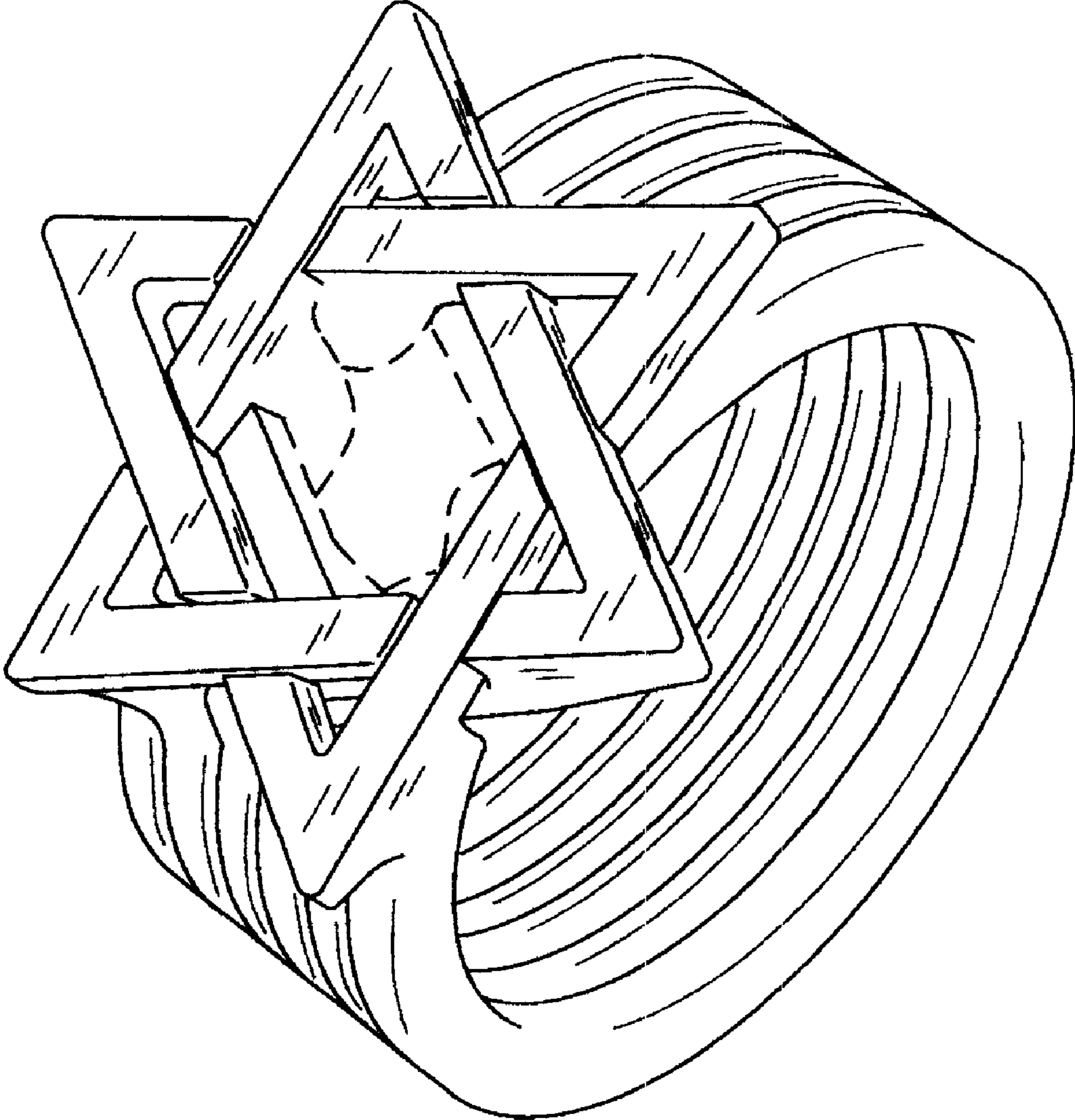


Fig. 1

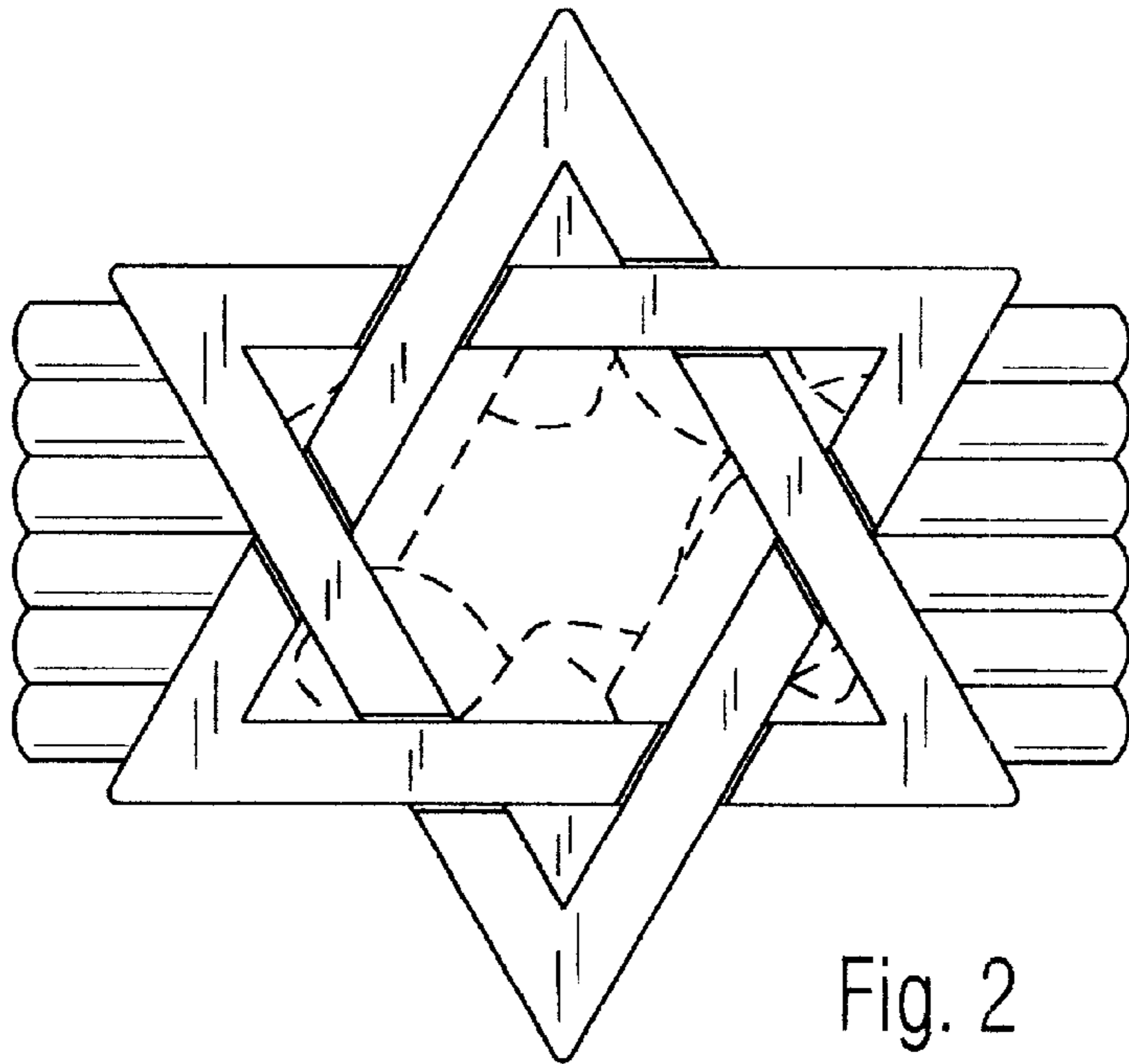


Fig. 2

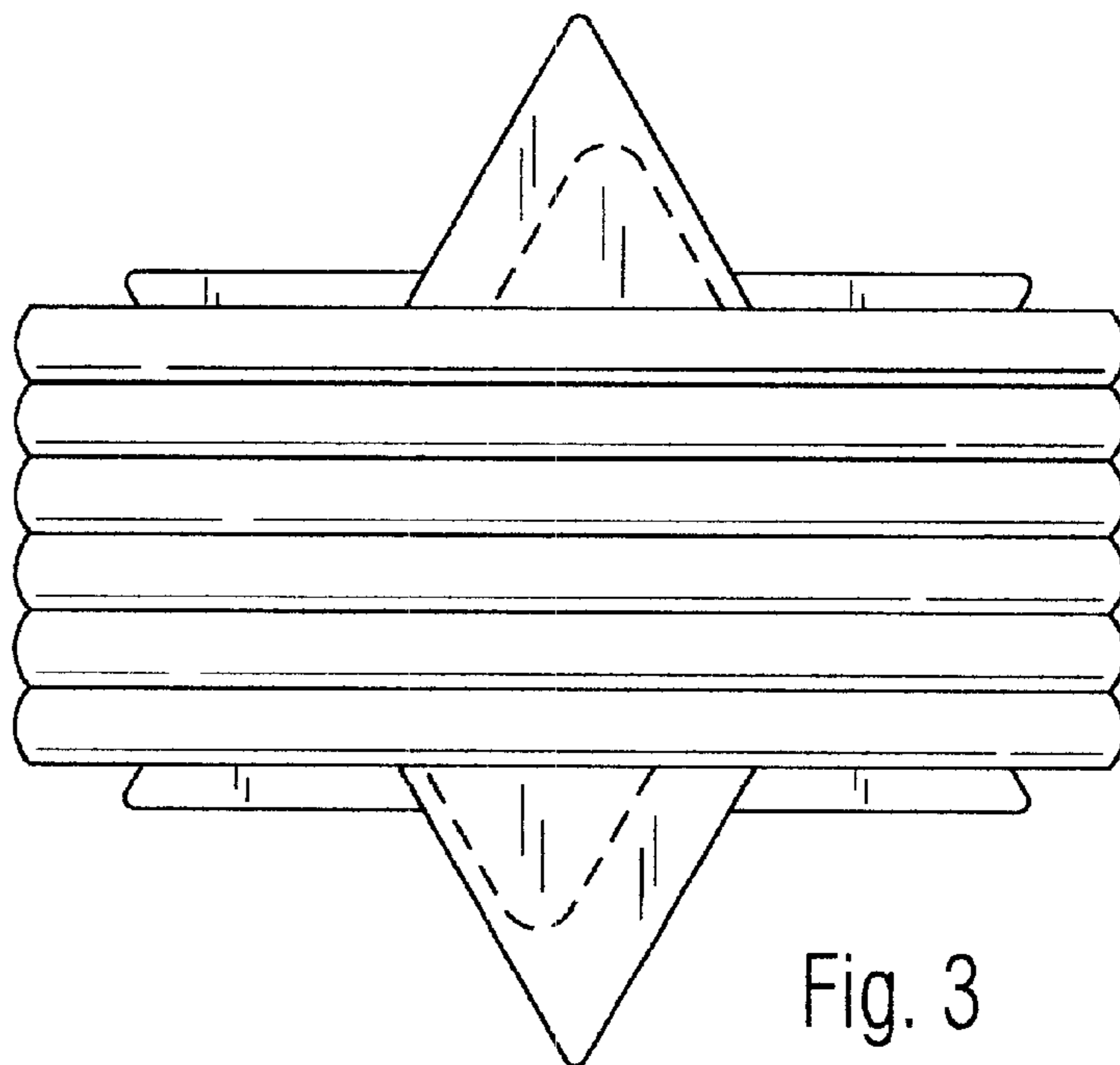


Fig. 3

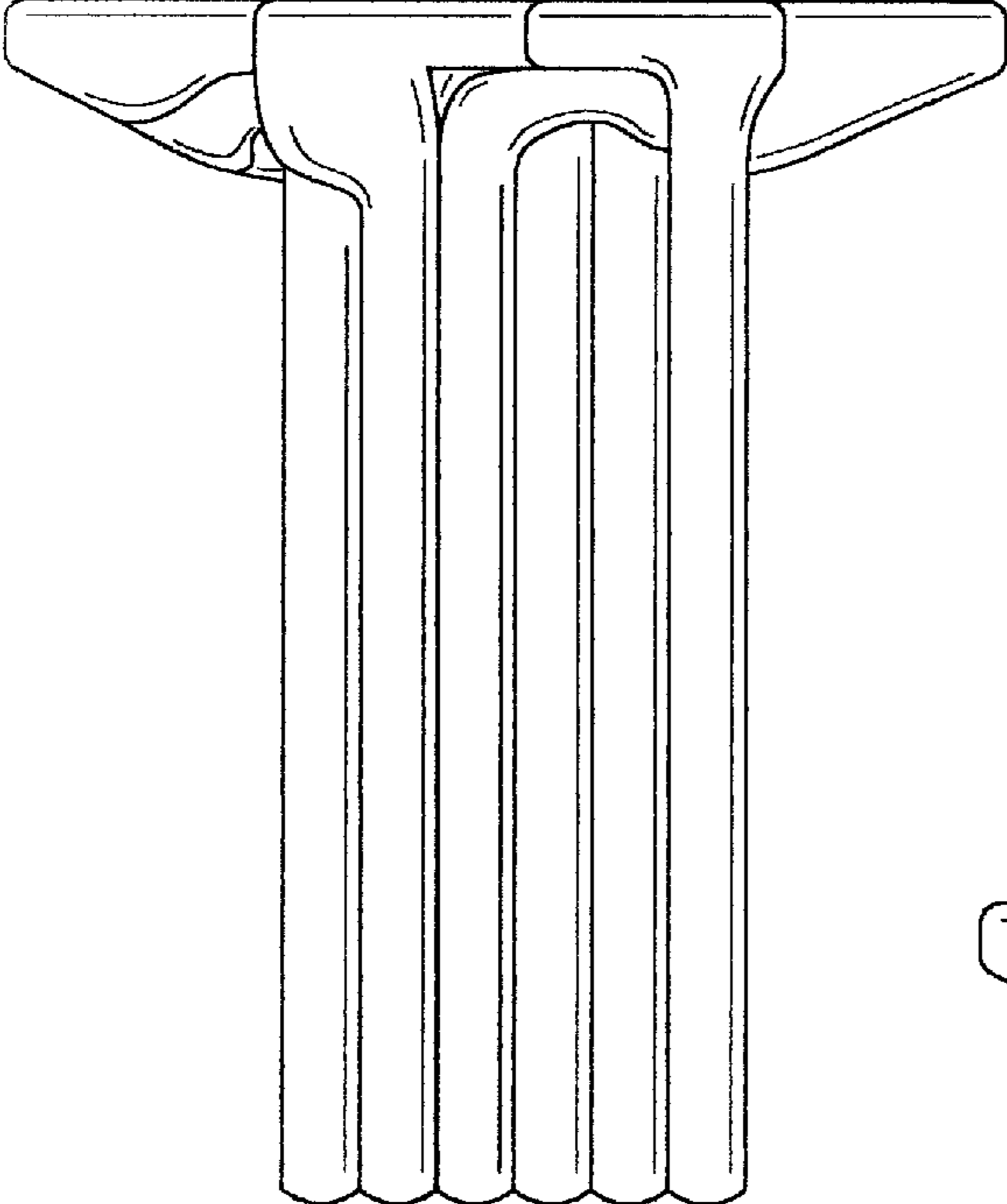


Fig. 4

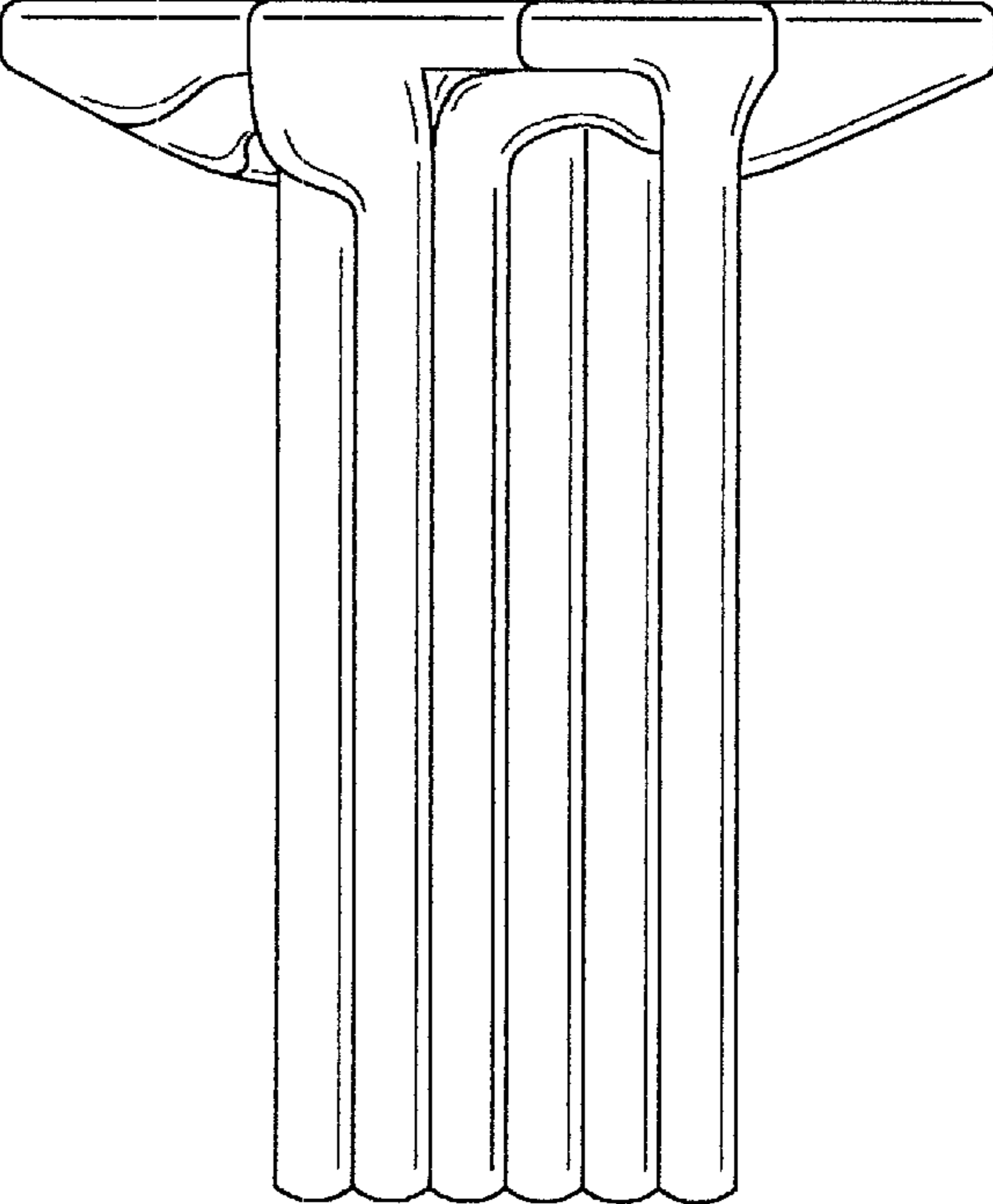


Fig. 5

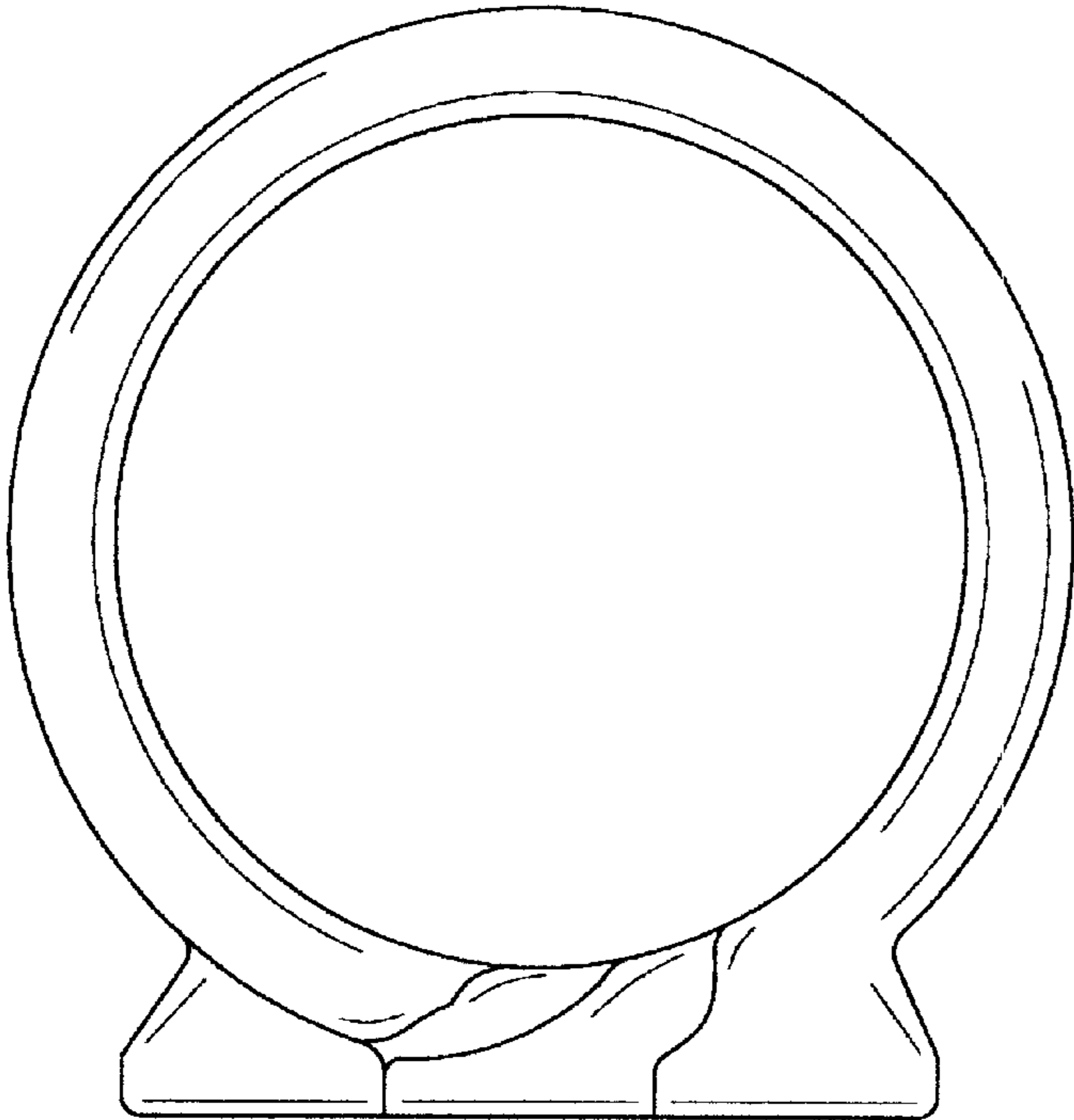


Fig. 6

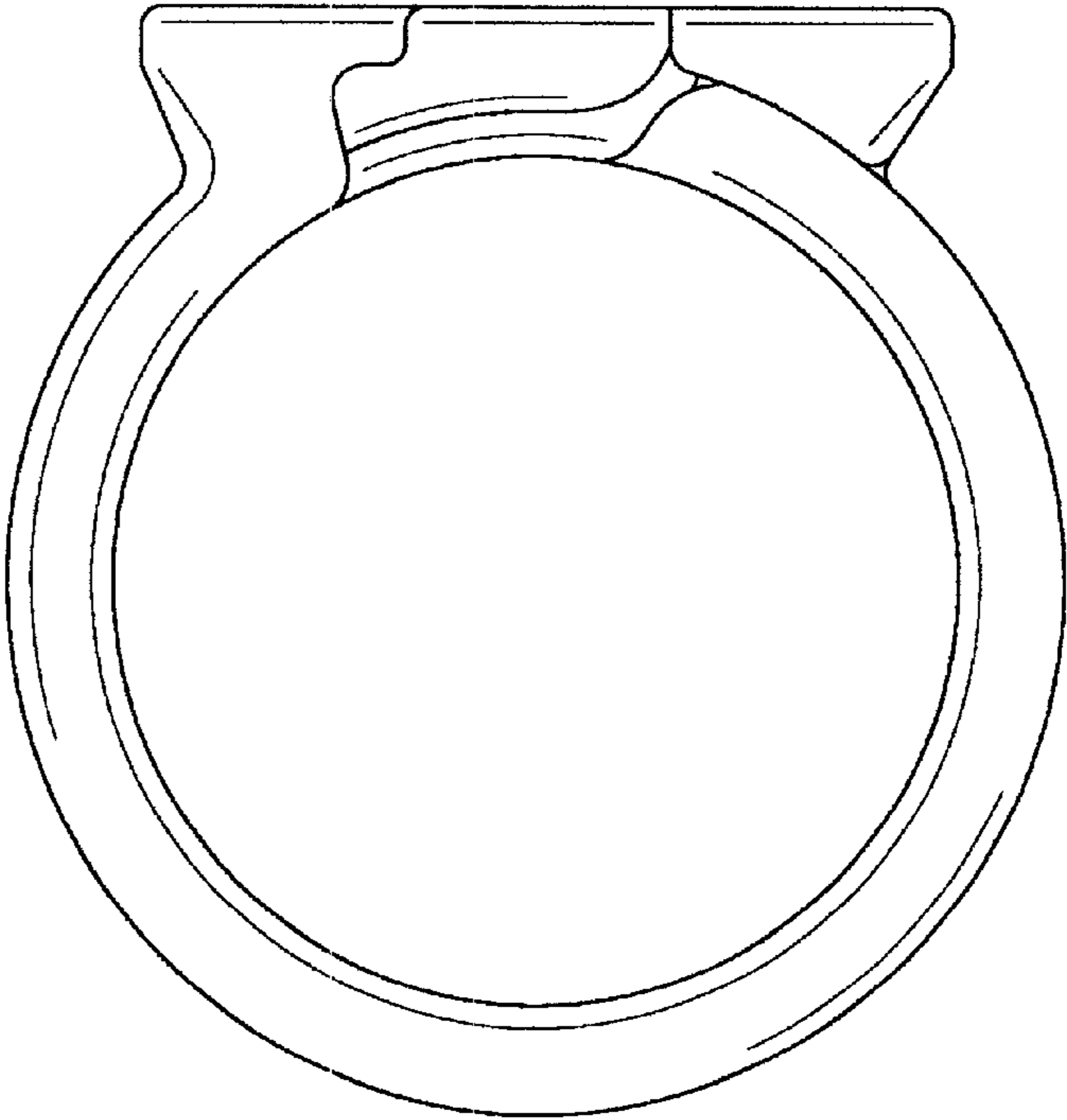


Fig. 7