

US00D502419S

(12) **United States Design Patent**
Copen

(10) **Patent No.:** **US D502,419 S**
(45) **Date of Patent:** **** Mar. 1, 2005**

- (54) **THEFT DETERRENT DEVICE**
- (75) **Inventor:** **Frank H. Copen**, Shreve, OH (US)
- (73) **Assignee:** **Alpha Security Products, Inc.**,
Charlotte, NC (US)
- (**) **Term:** **14 Years**
- (21) **Appl. No.:** **29/201,549**
- (22) **Filed:** **Mar. 16, 2004**

Related U.S. Application Data

- (62) Division of application No. 29/179,168, filed on Apr. 4, 2003, now Pat. No. Des. 493,739.
- (51) **LOC (7) Cl.** **10-05**
- (52) **U.S. Cl.** **D10/104; D10/106**
- (58) **Field of Search** D10/104, 106,
D10/116; 340/571, 572.7-572.9, 573.4;
70/57.1; 24/704.1

References Cited

U.S. PATENT DOCUMENTS

D242,333 S	*	11/1976	Wise	D10/106
4,500,124 A	*	2/1985	Swift	292/318
4,893,853 A	*	1/1990	Guiler	292/320
5,068,643 A	*	11/1991	Yashina	340/571
D343,135 S	*	1/1994	Witzky et al.	D10/106
D343,368 S	*	1/1994	Witzky et al.	D10/106
5,337,459 A	*	8/1994	Hogan	24/136 A
5,421,177 A	*	6/1995	Sieber et al.	70/57.1
D364,162 S	*	11/1995	Dagan	D14/188
5,570,080 A	*	10/1996	Inoue et al.	340/571
5,589,819 A	*	12/1996	Takeda	340/571
5,610,587 A	*	3/1997	Fujiuchi et al.	340/568.2

D383,991 S	*	9/1997	Leyden et al.	D10/104
5,764,147 A	*	6/1998	Sasagawa et al.	340/571
5,767,773 A	*	6/1998	Fujiuchi et al.	340/571
D409,108 S	*	5/1999	Suzuki et al.	D10/106
6,052,876 A	*	4/2000	Hogan et al.	24/704.1
D424,462 S	*	5/2000	Suzuki et al.	D10/104
D427,929 S	*	7/2000	Sayegh	D10/104
6,128,932 A	*	10/2000	Mainetti et al.	70/57.1
6,177,869 B1	*	1/2001	McDaid	340/568.1
6,255,950 B1	*	7/2001	Nguyen	340/572.8
6,420,971 B1	*	7/2002	Leck et al.	340/542
6,449,991 B1	*	9/2002	Hogan	70/57.1
D466,037 S	*	11/2002	Huehner et al.	D10/104
D466,426 S	*	12/2002	Proulx et al.	D10/104
D466,427 S	*	12/2002	Huehner et al.	D10/104
D478,829 S	*	8/2003	Yang et al.	D10/104
6,624,753 B2	*	9/2003	Elston	340/572.8
D493,739 S	*	8/2004	Copen	D10/104

* cited by examiner

Primary Examiner—Jeffrey Asch

(74) *Attorney, Agent, or Firm*—Sand & Sebolt

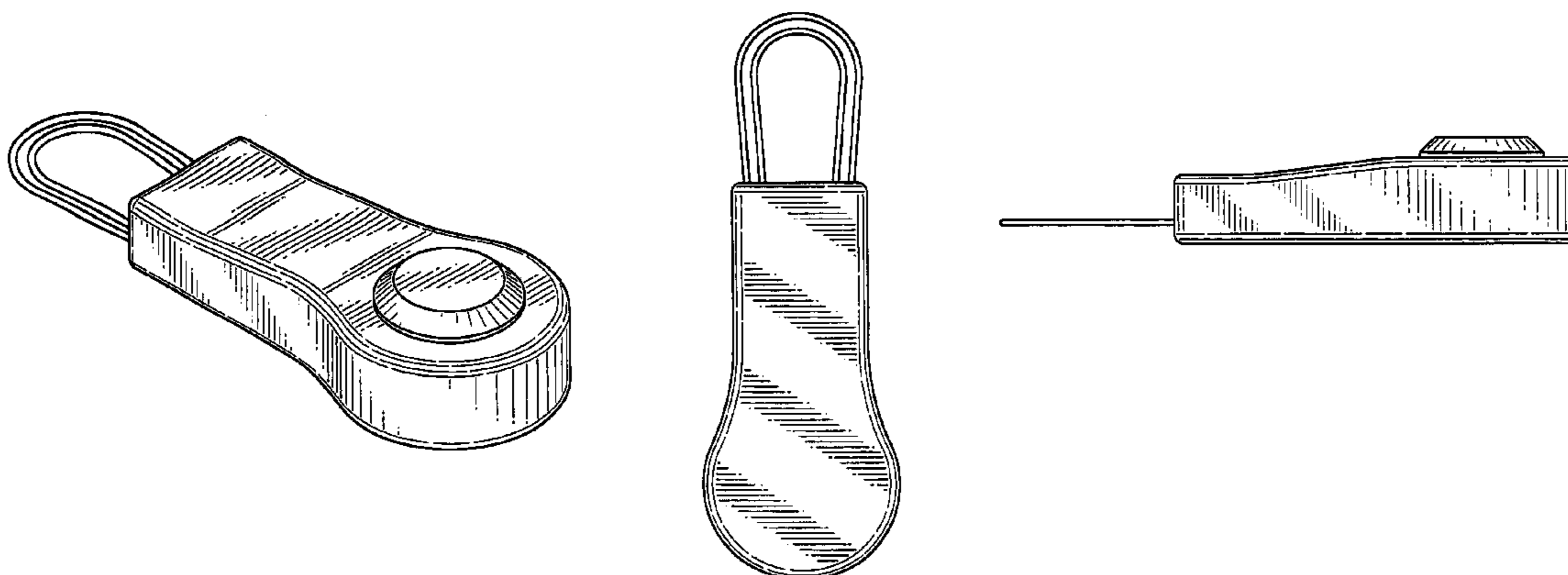
(57) **CLAIM**

The ornamental design for the theft deterrent device, as shown and described.

DESCRIPTION

FIG. 1 is a perspective view of the theft deterrent device of the present invention.
 FIG. 2 is a top plan view of FIG. 1.
 FIG. 3 is a bottom plan view of FIG. 1.
 FIG. 4 is a front elevation view of FIG. 1.
 FIG. 5 is a rear elevation view of FIG. 1.
 FIG. 6 is a right side elevation view of FIG. 1; and,
 FIG. 7 is a left side elevation view of FIG. 1.

1 Claim, 2 Drawing Sheets



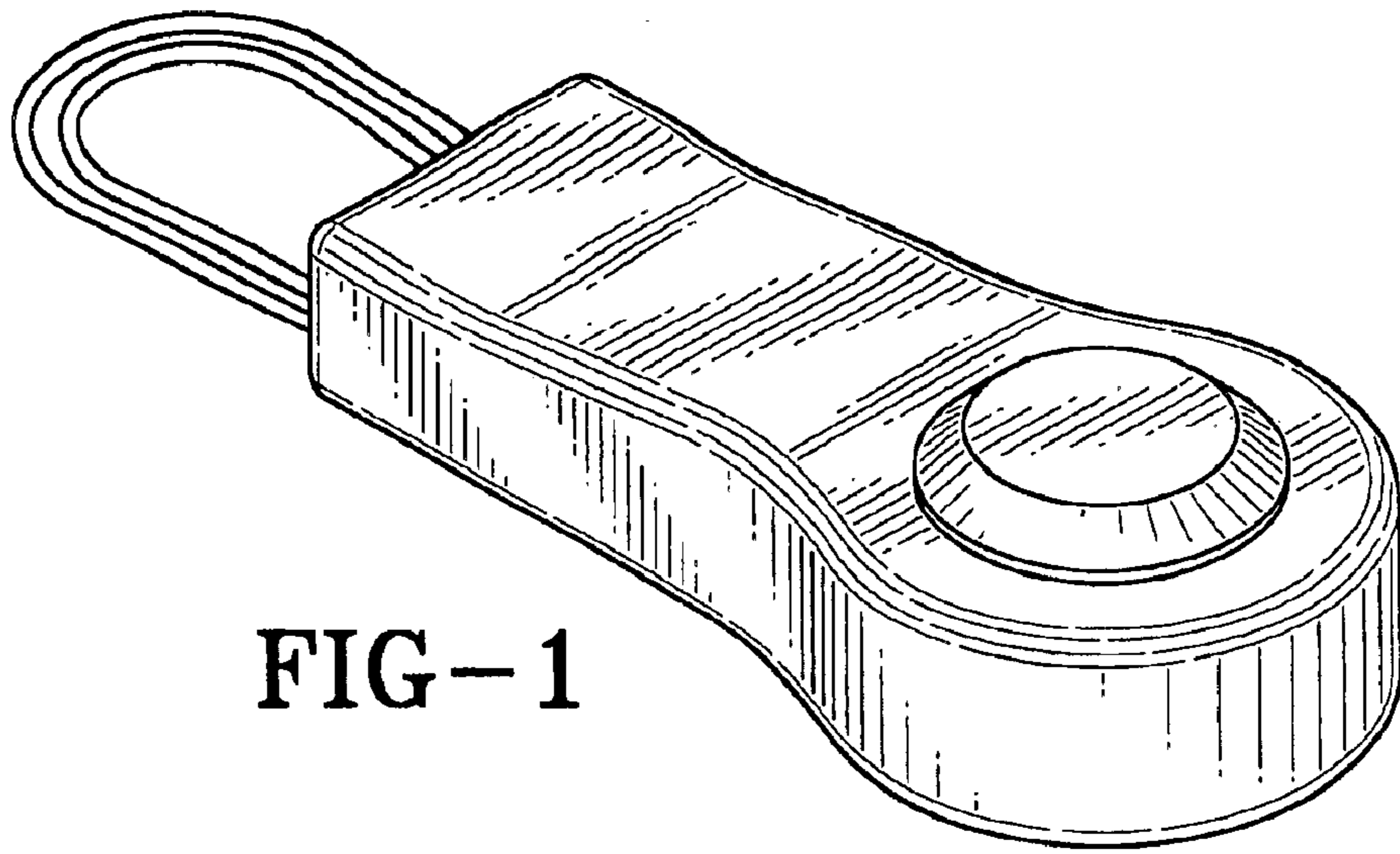


FIG-1

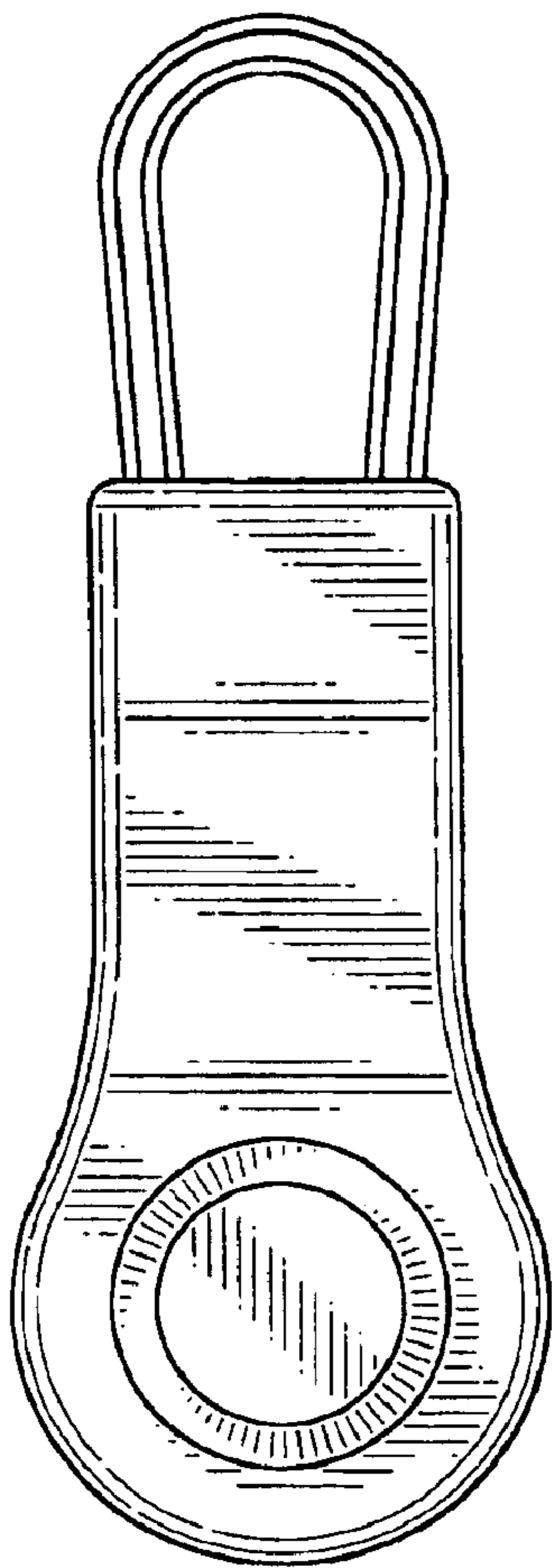


FIG-2

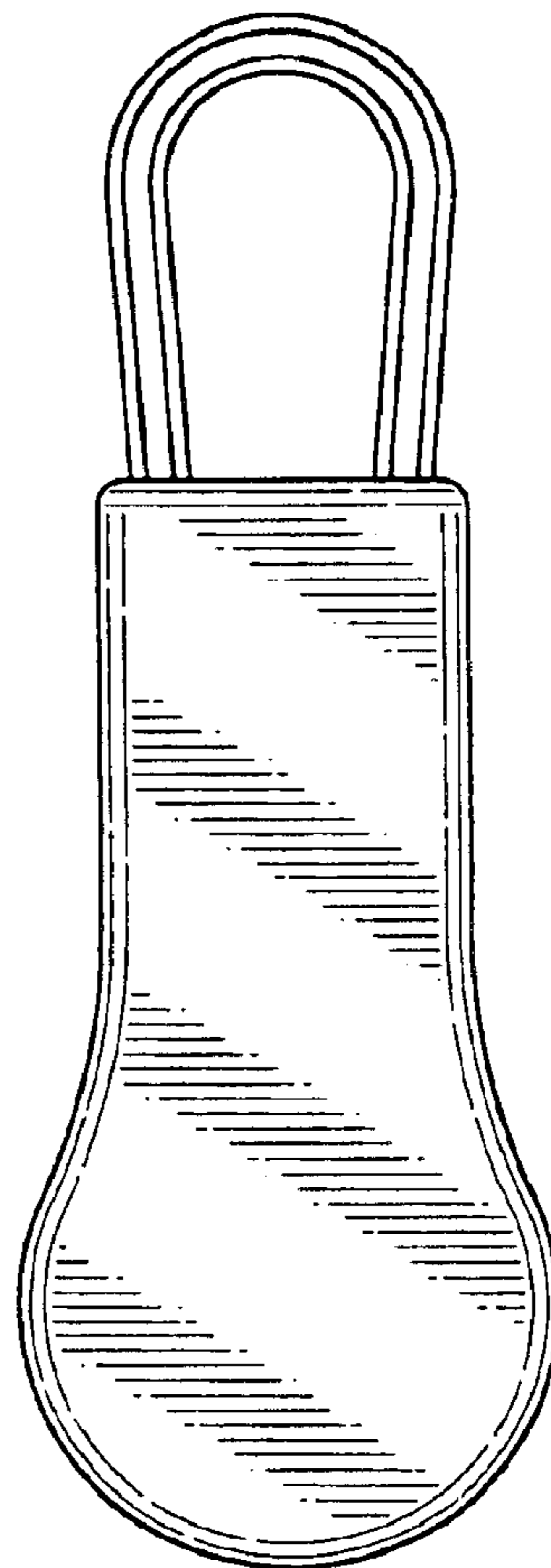


FIG-3

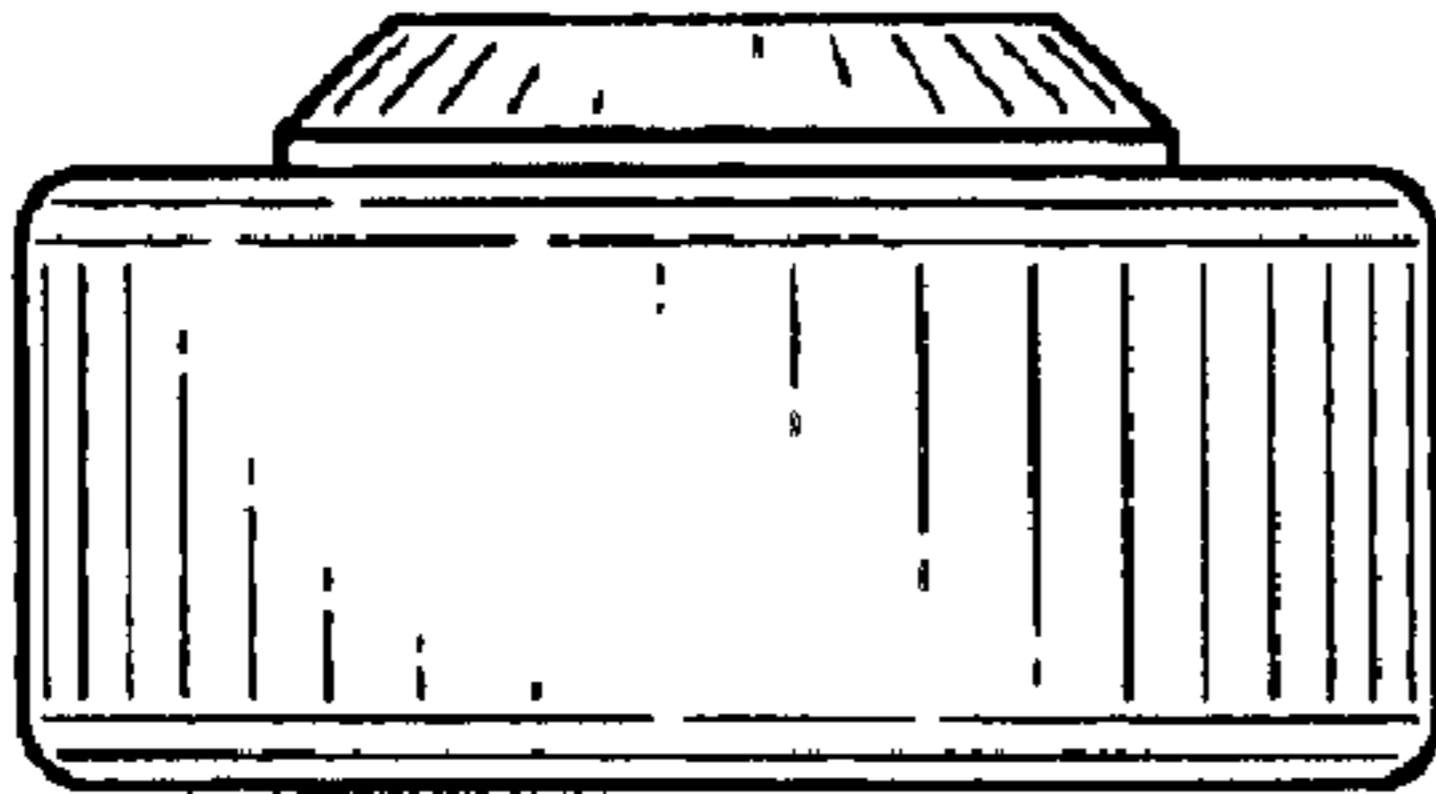


FIG-4

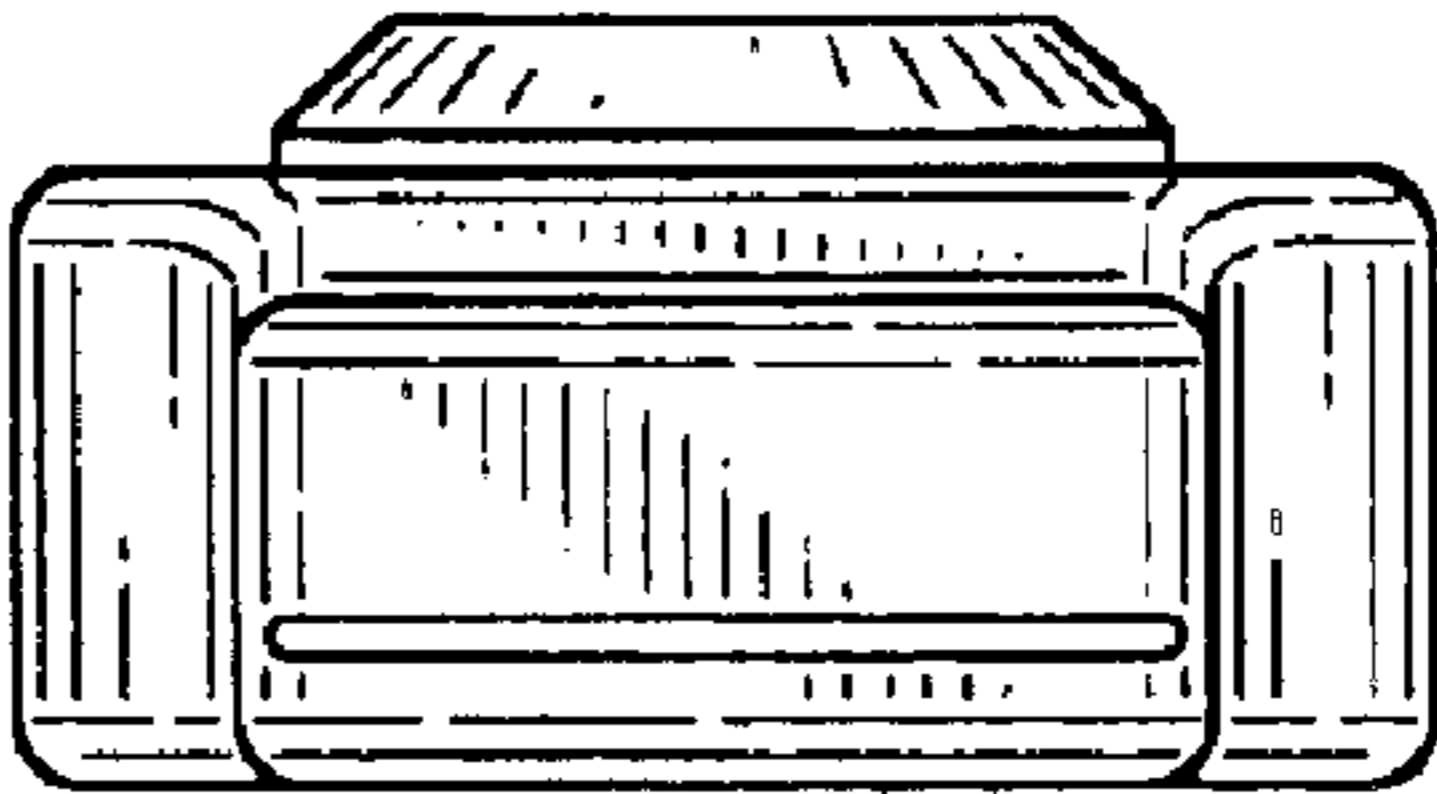


FIG-5



FIG-6



FIG-7