

US00D502417S

(12) **United States Design Patent**
Kobayakawa et al.

(10) **Patent No.: US D502,417 S**
(45) **Date of Patent: ** Mar. 1, 2005**

(54) **OPERATING SECTION FOR BODY COMPOSITION METER**

(75) Inventors: **Tatsutoshi Kobayakawa**, Tokyo (JP);
Miwako Murase, Tokyo (JP)

(73) Assignee: **Tanita Corporation**, Tokyo (JP)

(**) Term: **14 Years**

(21) Appl. No.: **29/193,935**

(22) Filed: **Nov. 18, 2003**

(30) **Foreign Application Priority Data**

May 19, 2003 (JP) 2003-013729

(51) **LOC (7) Cl.** **10-04**

(52) **U.S. Cl.** **D10/94**

(58) **Field of Search** D10/92, 94; 177/238-245,
177/177, 199, 210 R, 25.12, 25.13, 25.14,
25.15, 25.16, 25.17, 25.18, DIG. 3, 45-49;
600/547, 506

(56) **References Cited**

U.S. PATENT DOCUMENTS

6,353,755 B1 * 3/2002 Oguma 600/547
6,526,315 B1 * 2/2003 Inagawa et al. 600/547
6,587,714 B2 * 7/2003 Tanida 600/547
6,621,013 B2 * 9/2003 Tanida et al. 177/245

* cited by examiner

Primary Examiner—Antoine D. Davis

(74) *Attorney, Agent, or Firm*—McDermott Will & Emery
LLP

(57) **CLAIM**

The ornamental design for an operating section for body composition meter, as shown and described.

DESCRIPTION

FIG. 1 is a front view of an operating section for body composition meter according to our novel design;

FIG. 2 is a rear view of the operating section for body composition meter of FIG. 1;

FIG. 3 is a right side view of the operating section for body composition meter of FIG. 1 and a left side view thereof is symmetry to the right side view;

FIG. 4 is a plan view of the operating section for body composition meter of FIG. 1;

FIG. 5 is a bottom view of the operating section for body composition meter of FIG. 1;

FIG. 6 is an enlarged view of the operating section as indicated by solid line in FIG. 4;

FIG. 7 is a plan view of the operating section for body composition meter in FIG. 4 with the display being switched on.

FIG. 8 is a plan view of the operating section for body composition meter in FIG. 4 with English legend being put on the top surface of the operating keys;

FIG. 9 is an enlarged view of the operating section in FIG. 6 with English legend being put on the top surface of the operating keys; and,

FIG. 10 is a plan view of the operating section for body composition meter in FIG. 7 with English legend being put on the top surface of the operating keys.

The broken line in FIGS. 1 to 10 showing a representative shape of the body composition meter, is for illustrative purpose only, and forms no part of the claimed design.

1 Claim, 8 Drawing Sheets

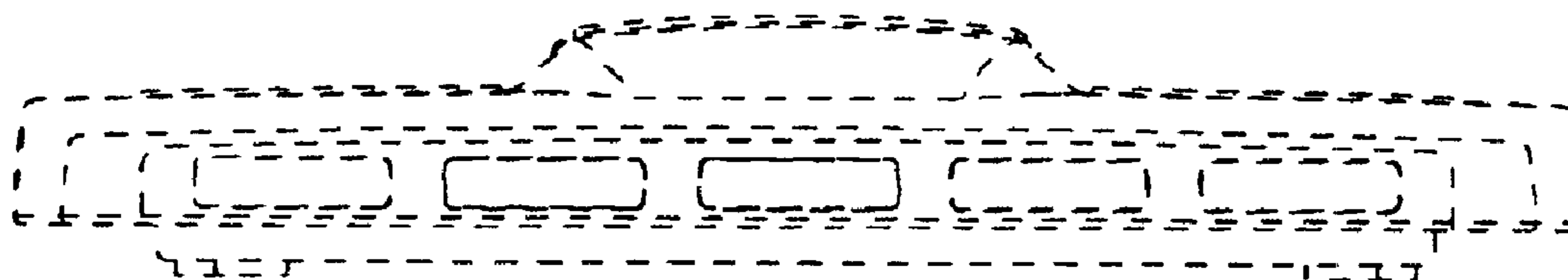


FIG.1

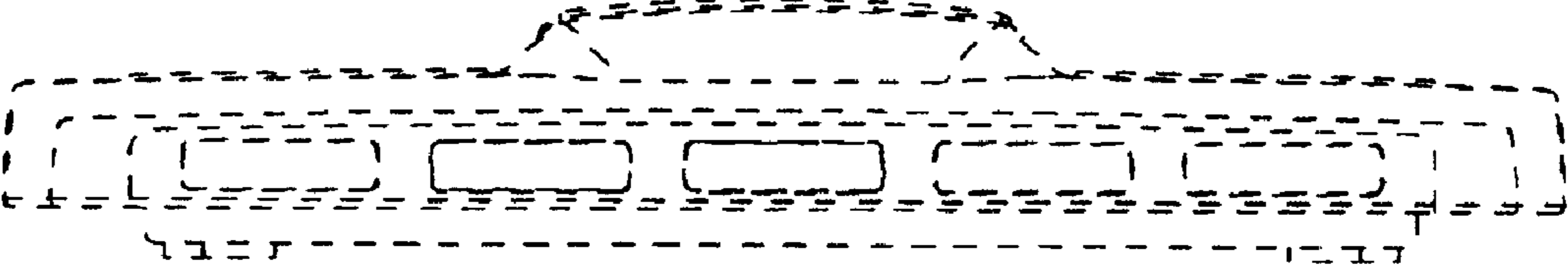


FIG.2

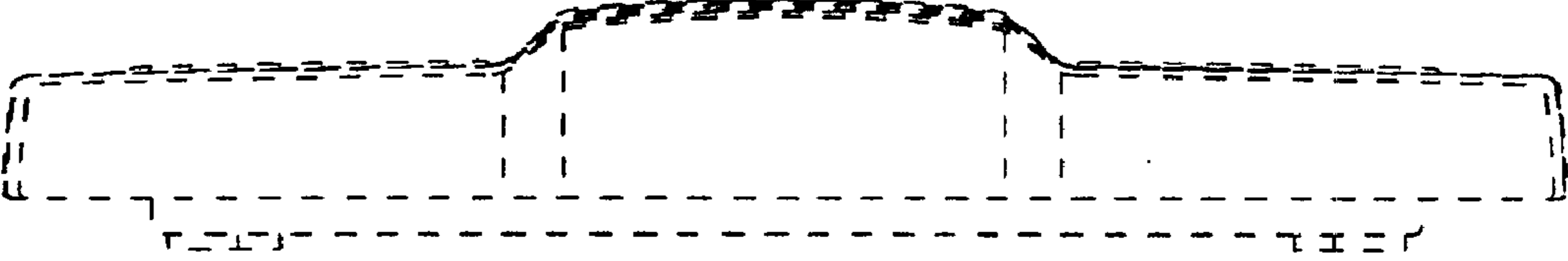


FIG.3

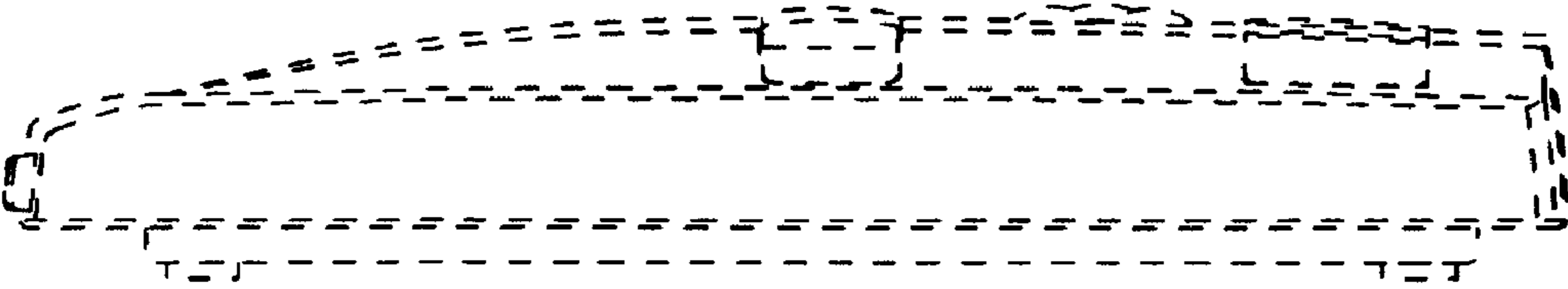


FIG.4

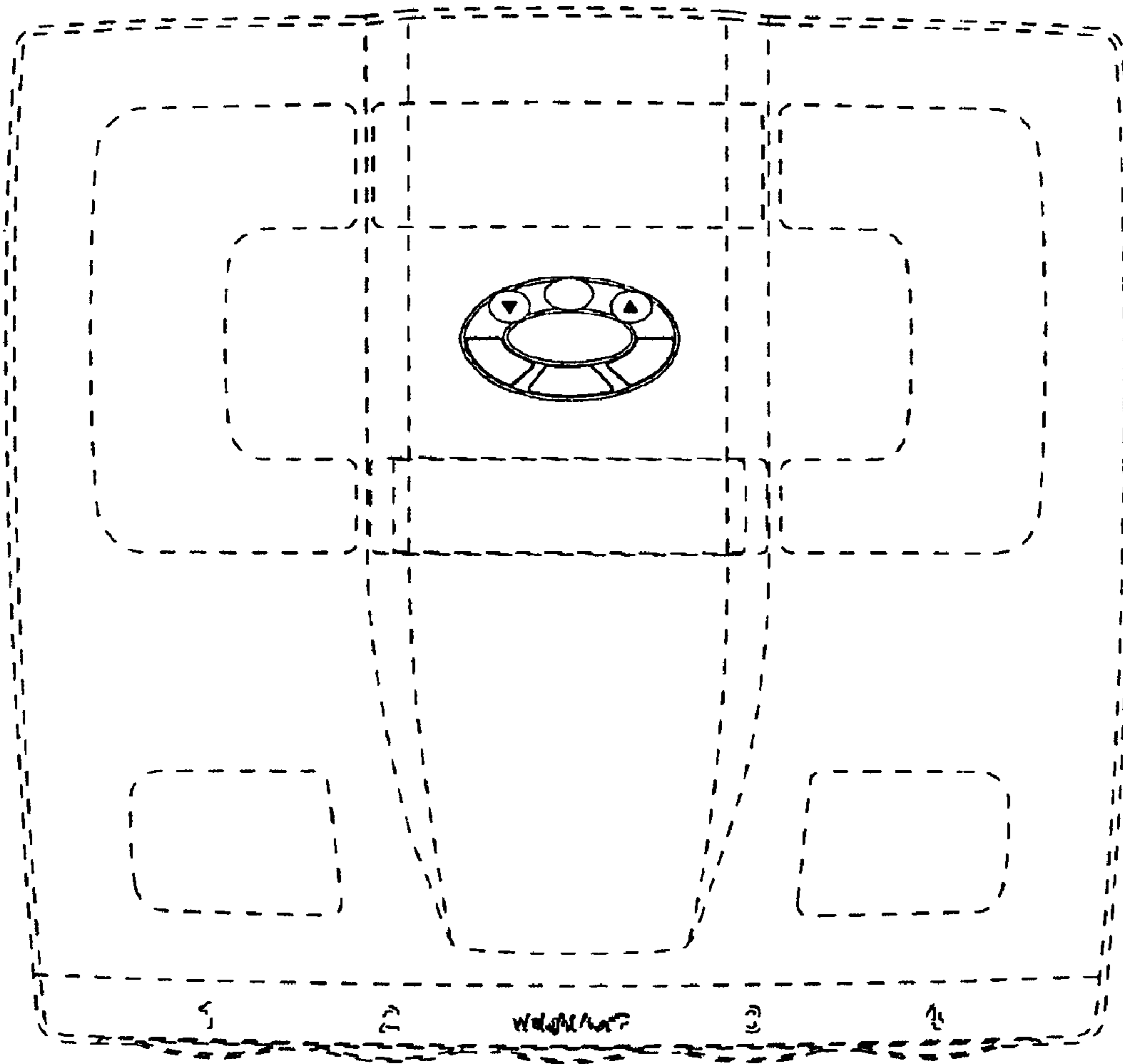


FIG.5

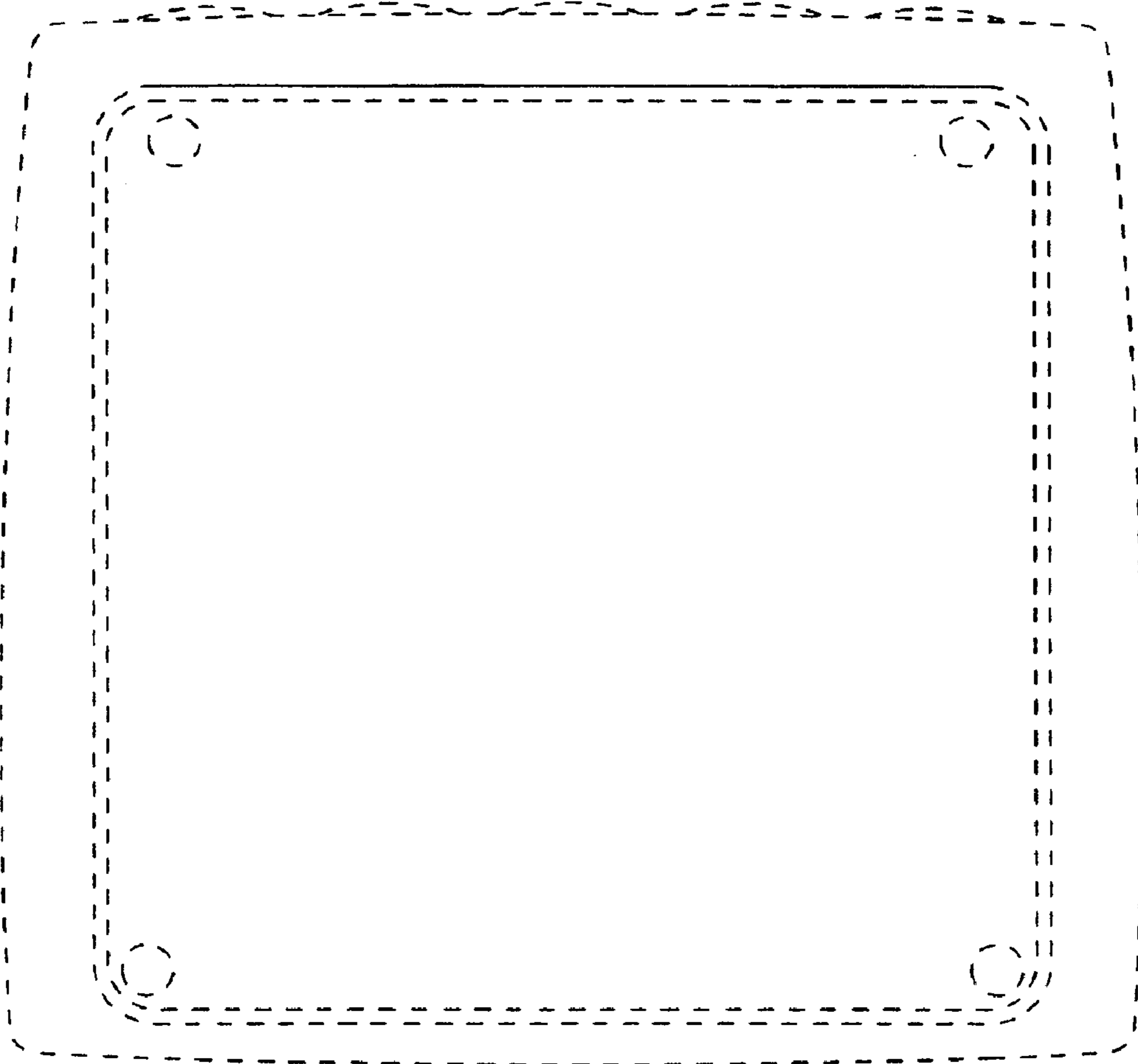


FIG.6

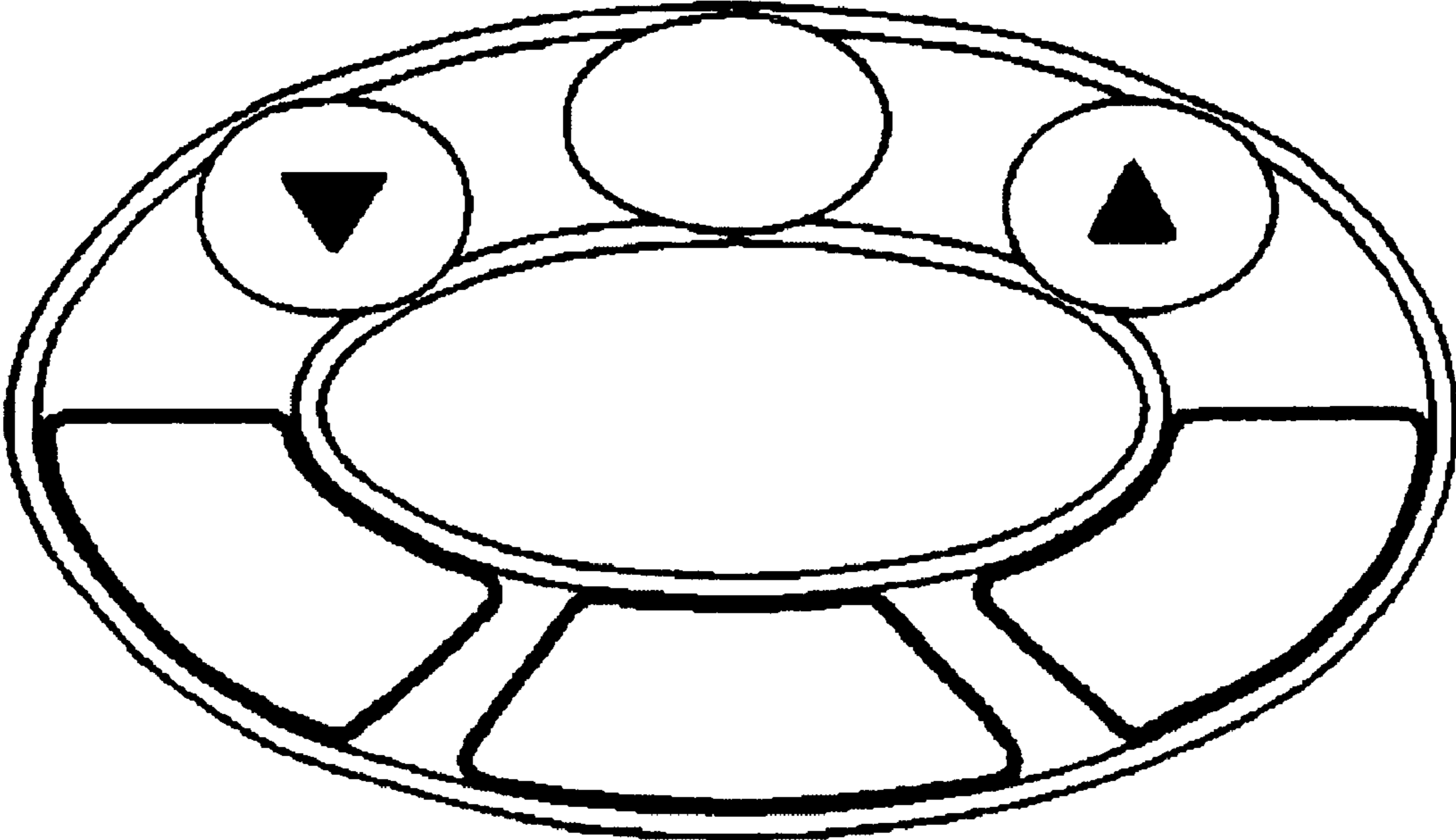


FIG.7

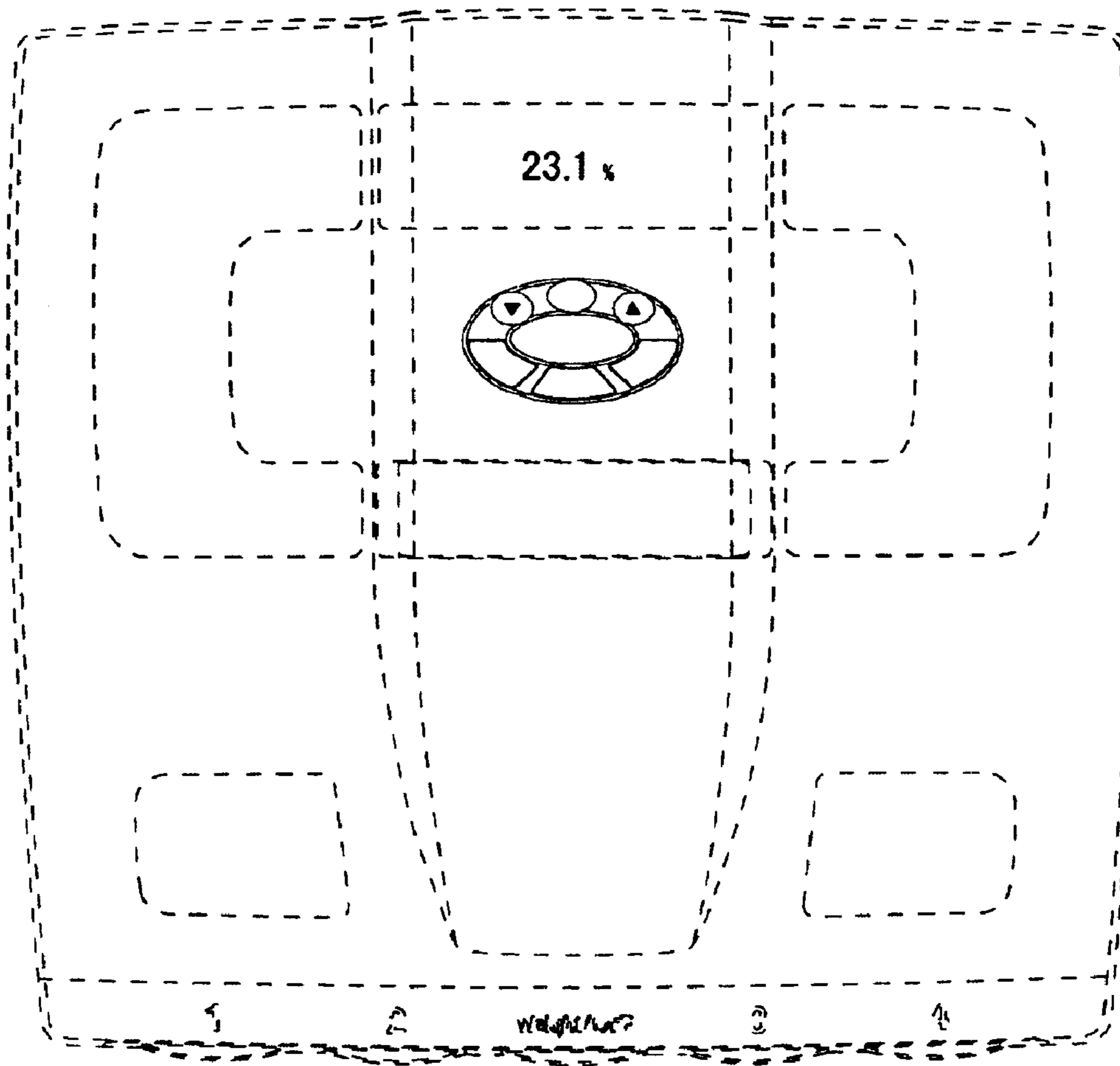


FIG.8

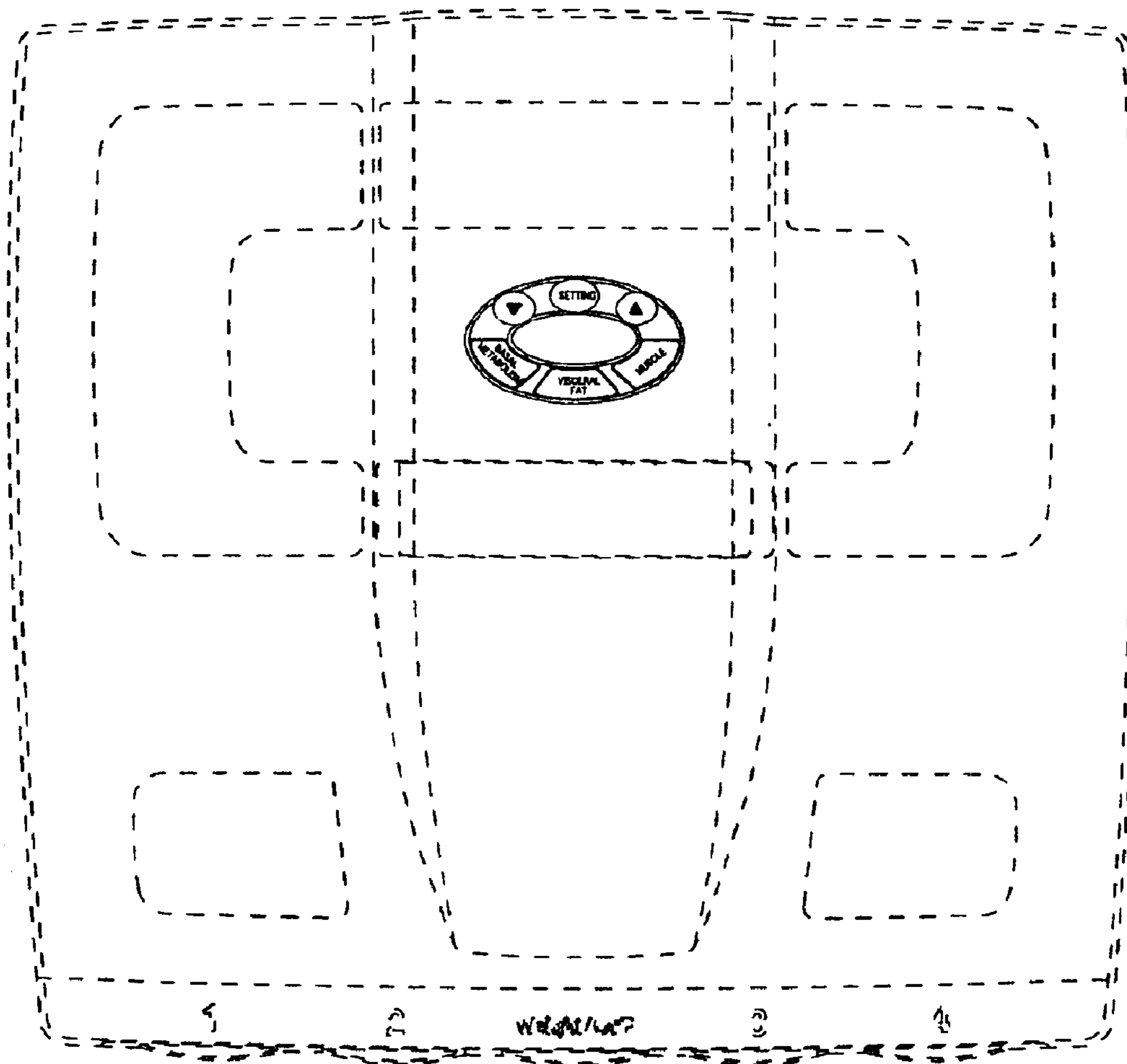


FIG.9

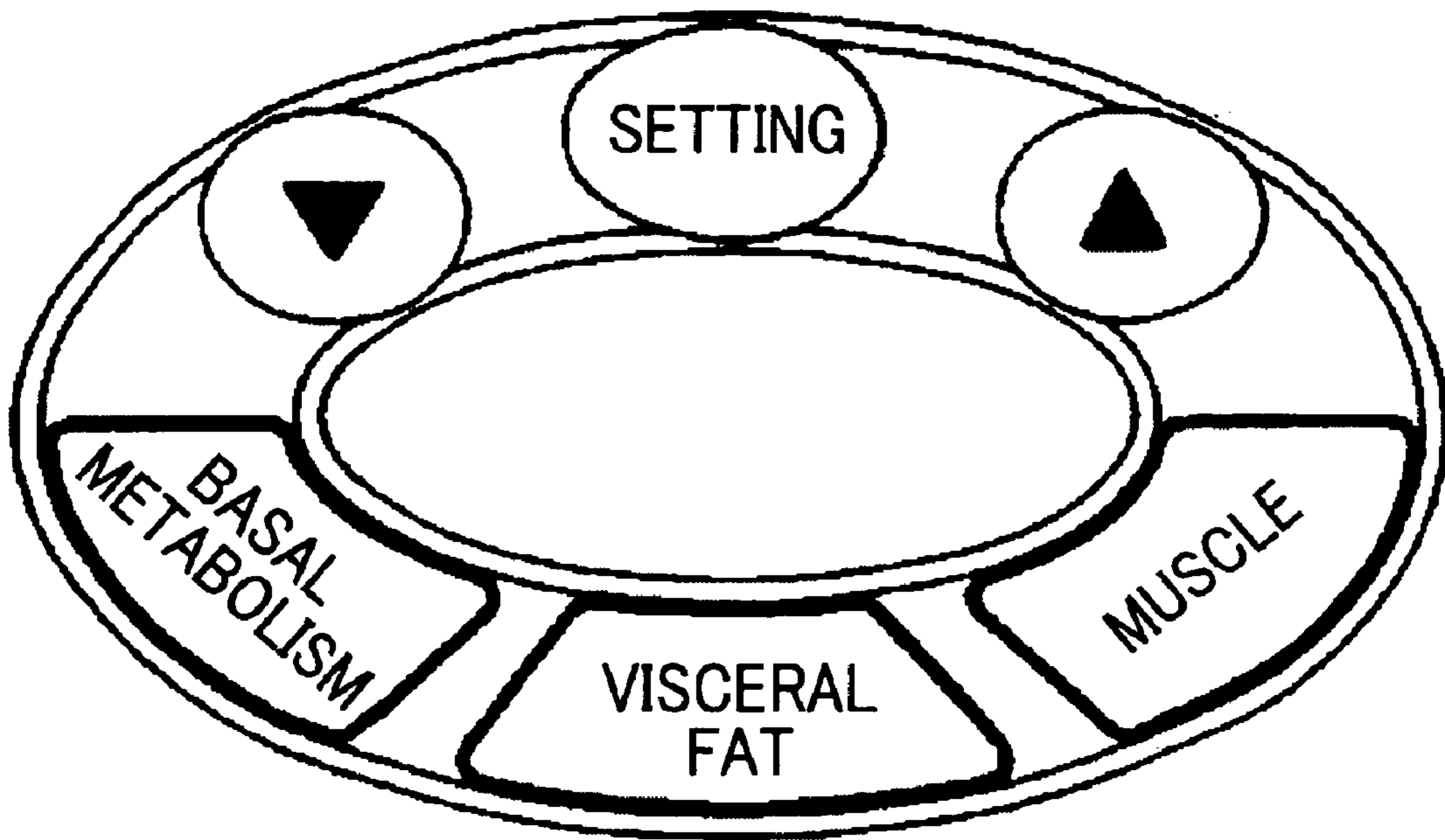


FIG.10

