

US00D502415S

(12) **United States Design Patent**
Burton et al.

(10) **Patent No.: US D502,415 S**
(45) **Date of Patent: ** Mar. 1, 2005**

(54) **MOVEMENT MEASURING DEVICE**

(75) Inventors: **Samuel L. Burton**, Danville, VA (US);
Earl G. Cook, Chatham, VA (US);
Keith A. Fields, Danville, VA (US)

(73) Assignee: **Functional Movement.com**, Danville,
VA (US)

(**) Term: **14 Years**

(21) Appl. No.: **29/193,401**

(22) Filed: **Nov. 7, 2003**

(51) **LOC (7) Cl.** **10-04**

(52) **U.S. Cl.** **D10/70**

(58) **Field of Search** D10/70; 33/474,
33/476, 481, 482, 511, 512, 493; 482/148,
900, 901

(56) **References Cited**

U.S. PATENT DOCUMENTS

4,323,234 A * 4/1982 Glaese 482/148
D276,897 S * 12/1984 Woods D10/70
D295,149 S * 4/1988 Markin D10/70
D337,535 S * 7/1993 Knowlton D10/70

D337,729 S * 7/1993 Ledbetter D10/70
D347,394 S * 5/1994 Schlesinger et al. D10/70
5,396,710 A * 3/1995 Battaglia 33/474
D378,742 S * 4/1997 McDonald et al. D10/70
D399,147 S * 10/1998 Tang et al. D10/70

OTHER PUBLICATIONS

Reebok Core Training Systems, Professional Training
Manual, 2002.

* cited by examiner

Primary Examiner—Antoine D. Davis

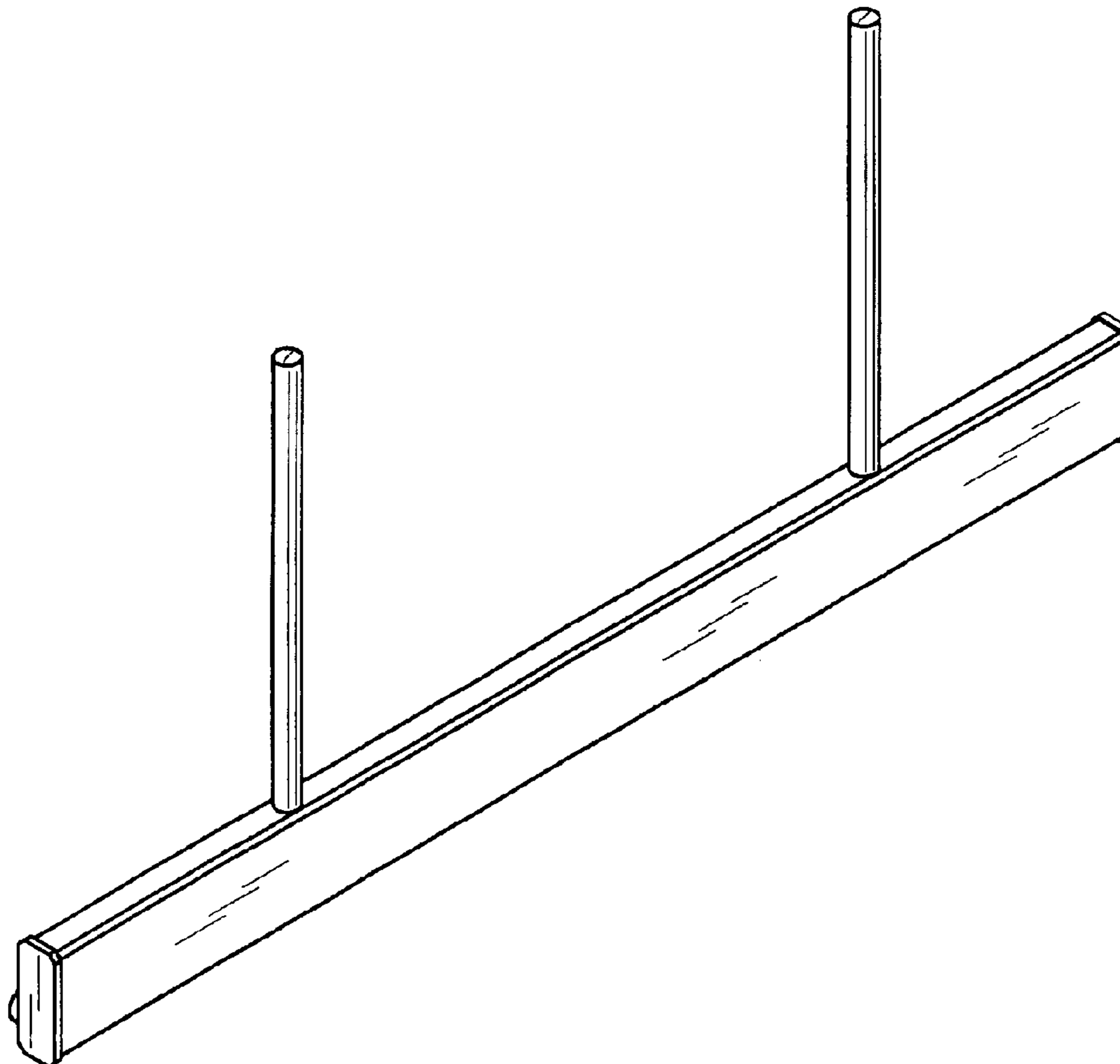
(57) **CLAIM**

The ornamental design for a movement measuring device, as
shown and described.

DESCRIPTION

FIG. 1 is a front, top, left side perspective view of a
movement measuring device embodying our design;
FIG. 2 is a rear elevational view thereof;
FIG. 3 is a right side end view thereof;
FIG. 4 is a left side end view thereof
FIG. 5 is a top plan view thereof; and,
FIG. 6 is a bottom plan view thereof.

1 Claim, 3 Drawing Sheets



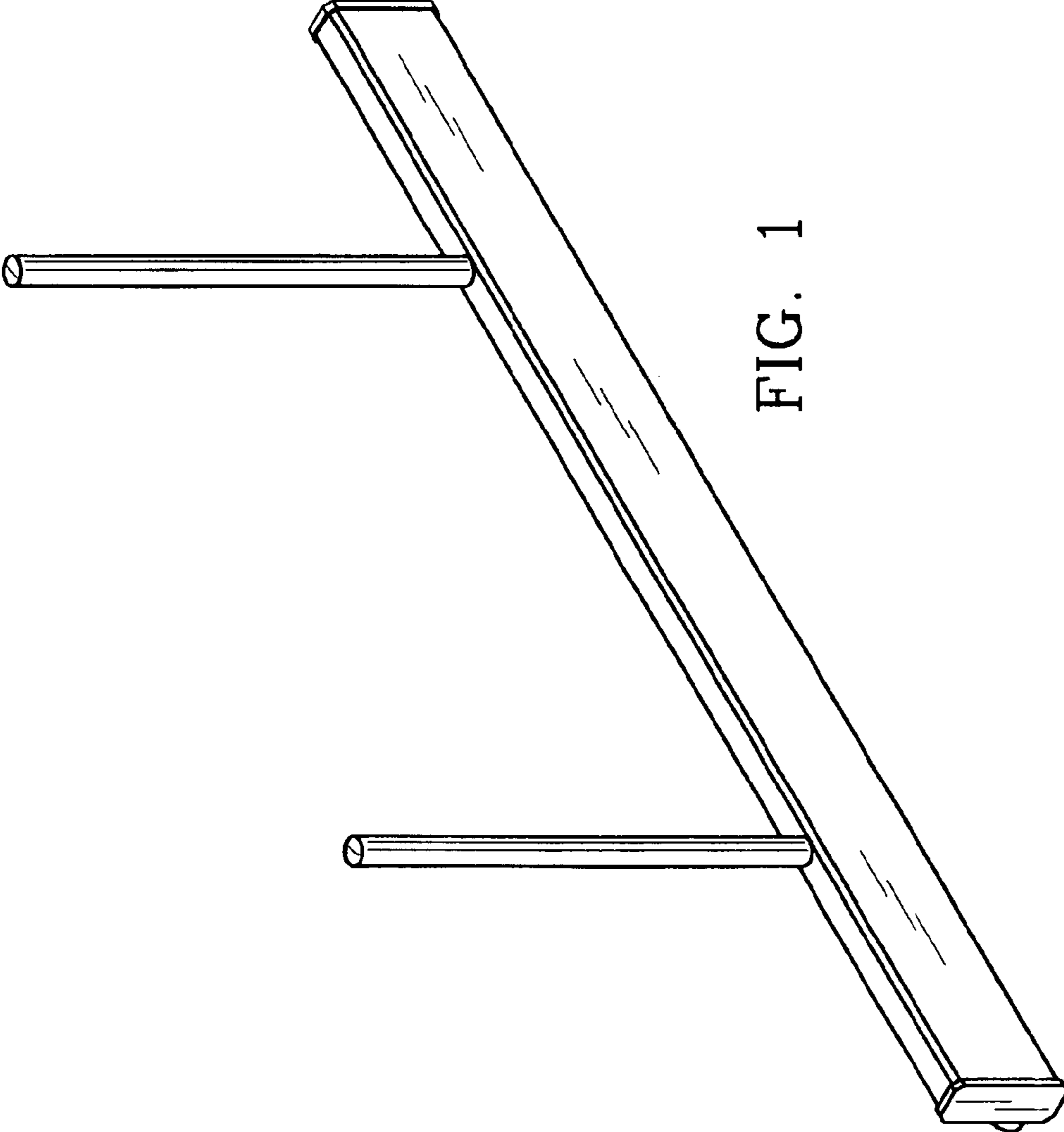


FIG. 1

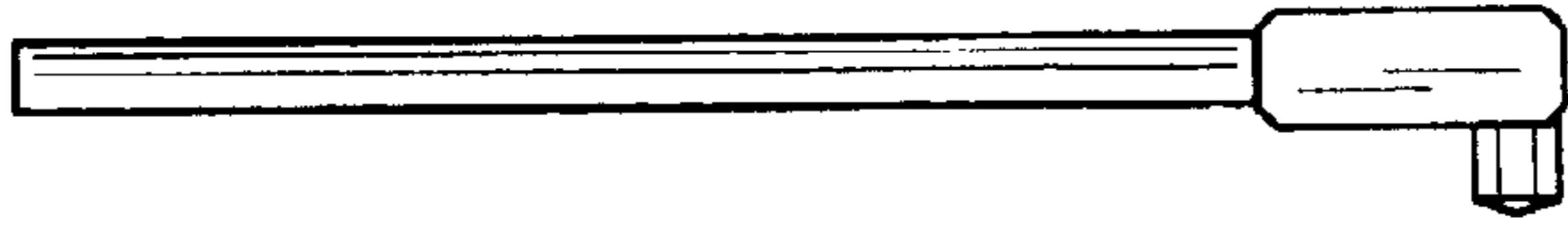


FIG. 4

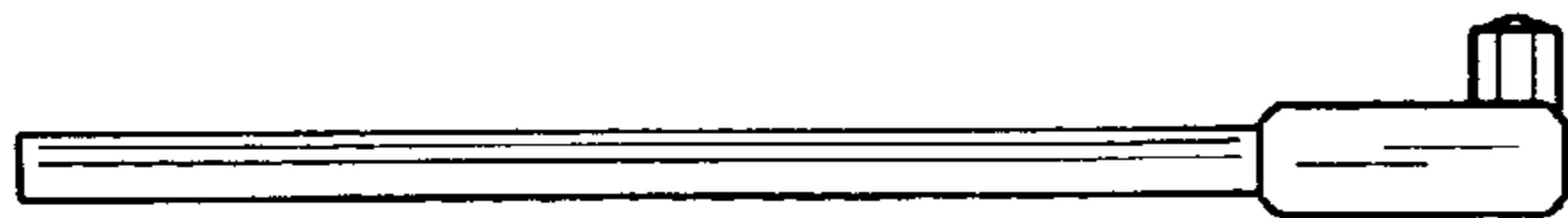


FIG. 3

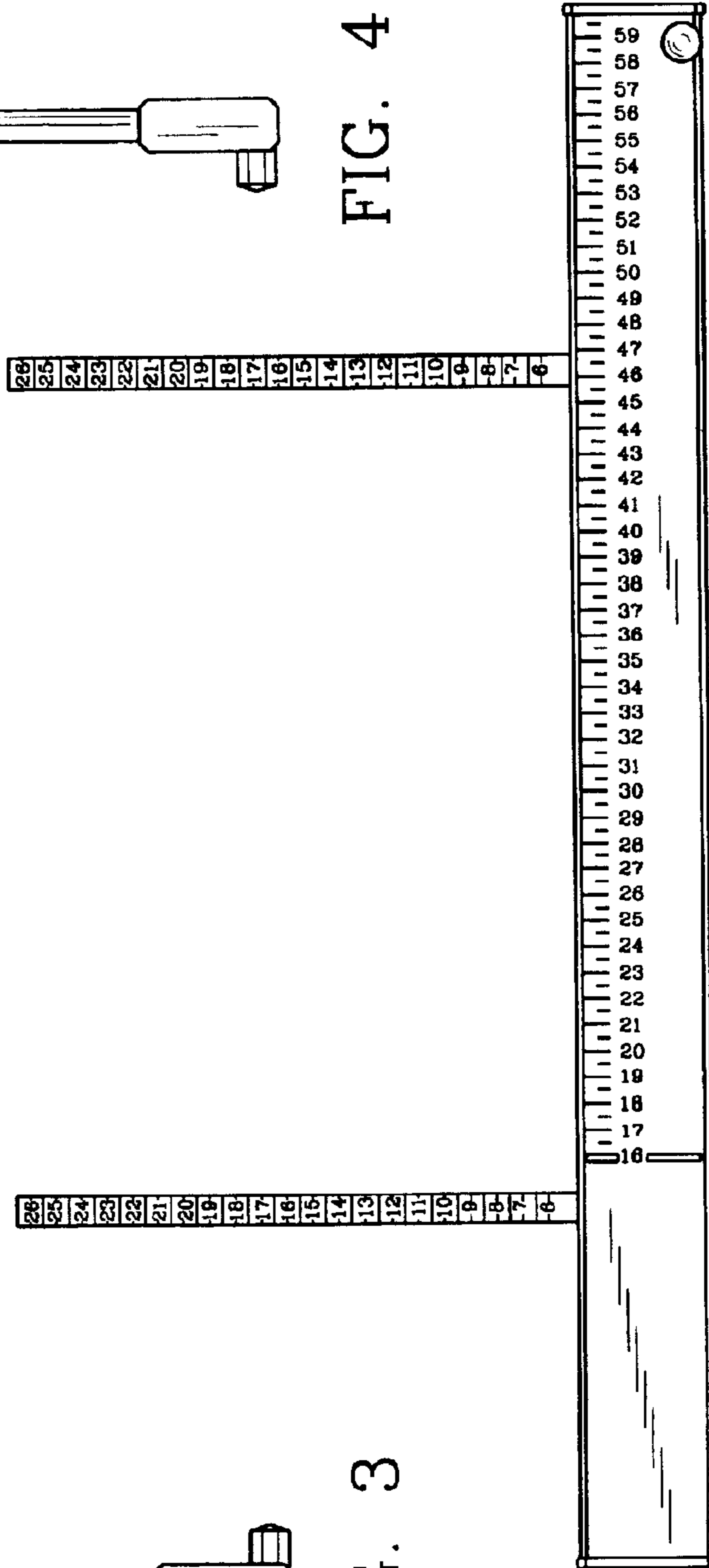


FIG. 2



FIG. 5



FIG. 6