

US00D502411S

(12) **United States Design Patent**  
**Sabarthés et al.**

(10) **Patent No.: US D502,411 S**  
(45) **Date of Patent: \*\* Mar. 1, 2005**

(54) **WATCH**

(75) **Inventors: Jean-Christophe Sabarthés, Marseilles (FR); Xavier Luvison, Marseilles (FR); Marc Alfieri, Cabries (FR)**

(73) **Assignee: Kronotype (SARL), Venelles (FR)**

(\*\*) **Term: 14 Years**

(21) **Appl. No.: 29/183,232**

(22) **Filed: Jun. 9, 2003**

(30) **Foreign Application Priority Data**

Jan. 4, 2003 (EM) ..... 21340

(51) **LOC (7) Cl. .... 10-02**

(52) **U.S. Cl. .... D10/39; D10/30**

(58) **Field of Search ..... D10/1-40, 122-132; 368/280-282, 276-277, 285, 294-295**

(56) **References Cited**

**U.S. PATENT DOCUMENTS**

2,594,877 A	*	4/1952	Crockett	.....	368/65
D327,022 S	*	6/1992	Bulgari	.....	D10/39
D333,988 S	*	3/1993	Dumas	.....	D10/30
D350,291 S	*	9/1994	Burgener	.....	D10/39
D357,192 S	*	4/1995	Schneider	.....	D10/32
D365,994 S	*	1/1996	Brennan	.....	D10/32
D378,805 S	*	4/1997	Riley	.....	D10/30
D447,705 S	*	9/2001	Scheufele	.....	D10/39

D467,820 S	*	12/2002	Berliat	.....	D10/39
D473,476 S	*	4/2003	Roden	.....	D10/32
D473,477 S	*	4/2003	Roden	.....	D10/32

\* cited by examiner

*Primary Examiner*—Nelson C. Holtje

(74) *Attorney, Agent, or Firm*—Harrison & Egbert

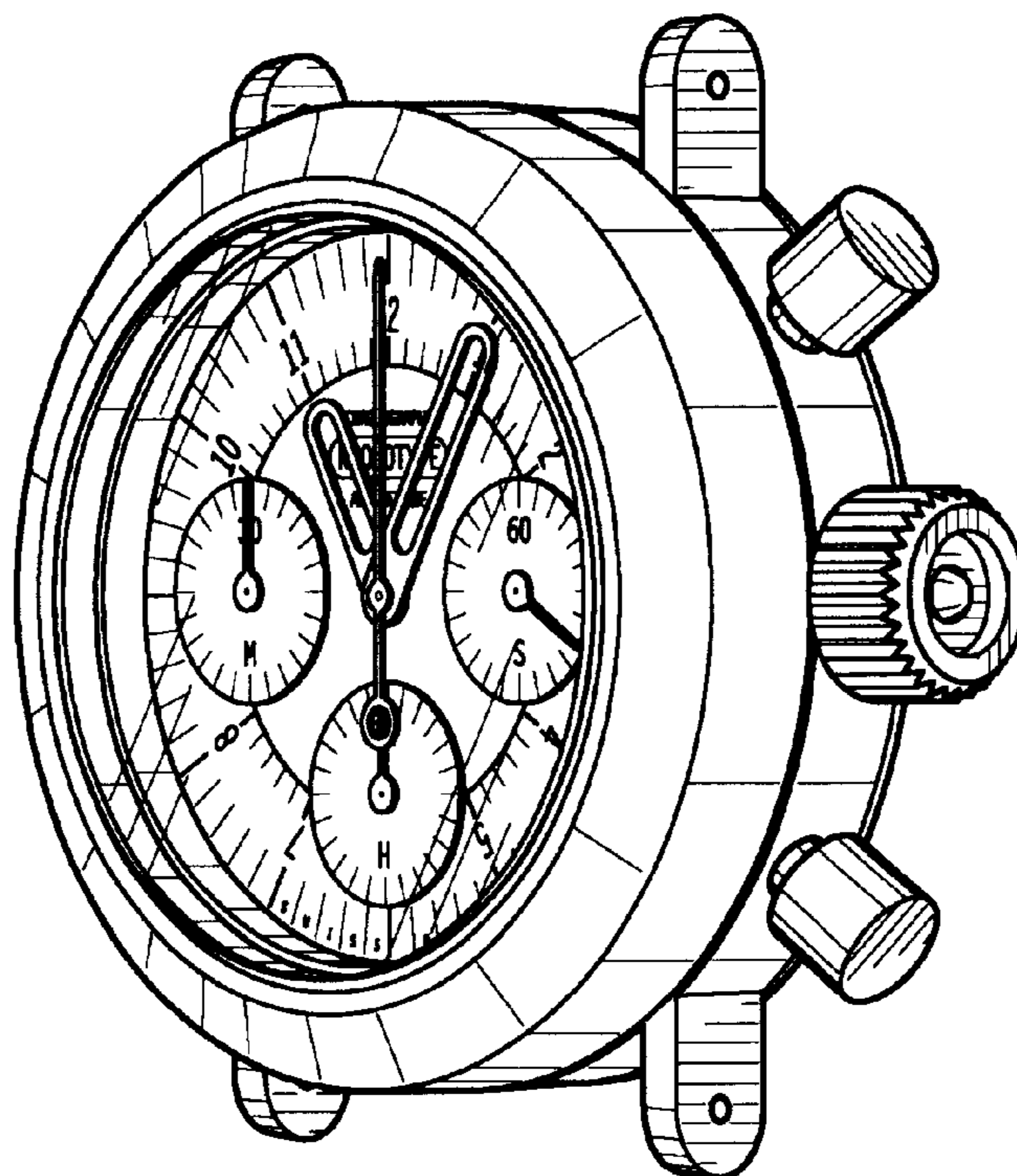
(57) **CLAIM**

I claim the ornamental design for a watch, as shown and described.

**DESCRIPTION**

FIG. 1 is a front plan view of the watch showing my design.  
 FIG. 2 is a back view thereof;  
 FIG. 3 is a side perspective view thereof;  
 FIG. 4 is a top view thereof, a bottom view being a mirror image thereof;  
 FIG. 5 is a right side plan view thereof;  
 FIG. 6 is a left side plan view thereof;  
 FIG. 7 is a right side view thereof with a first watch band attachment;  
 FIG. 8 is a front elevational view of FIG. 7;  
 FIG. 9 is a right side view thereof, with a second watch band attachment; and,  
 FIG. 10 is a front elevational view of FIG. 9.  
 The broken line showings of wrist bands in FIGS. 7-10 are environmental only and form no part of the claimed design.

**1 Claim, 4 Drawing Sheets**



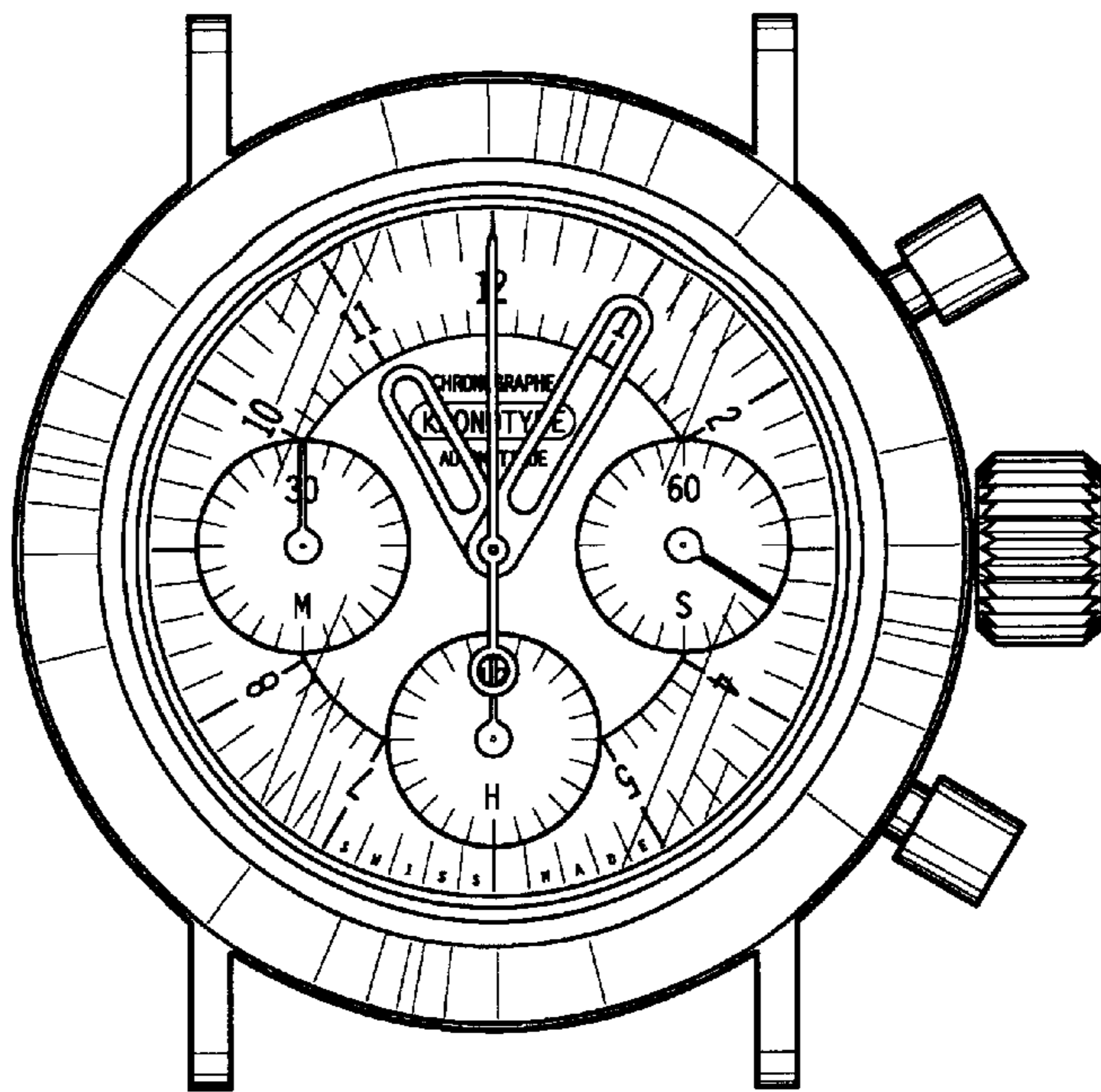


FIG. 1

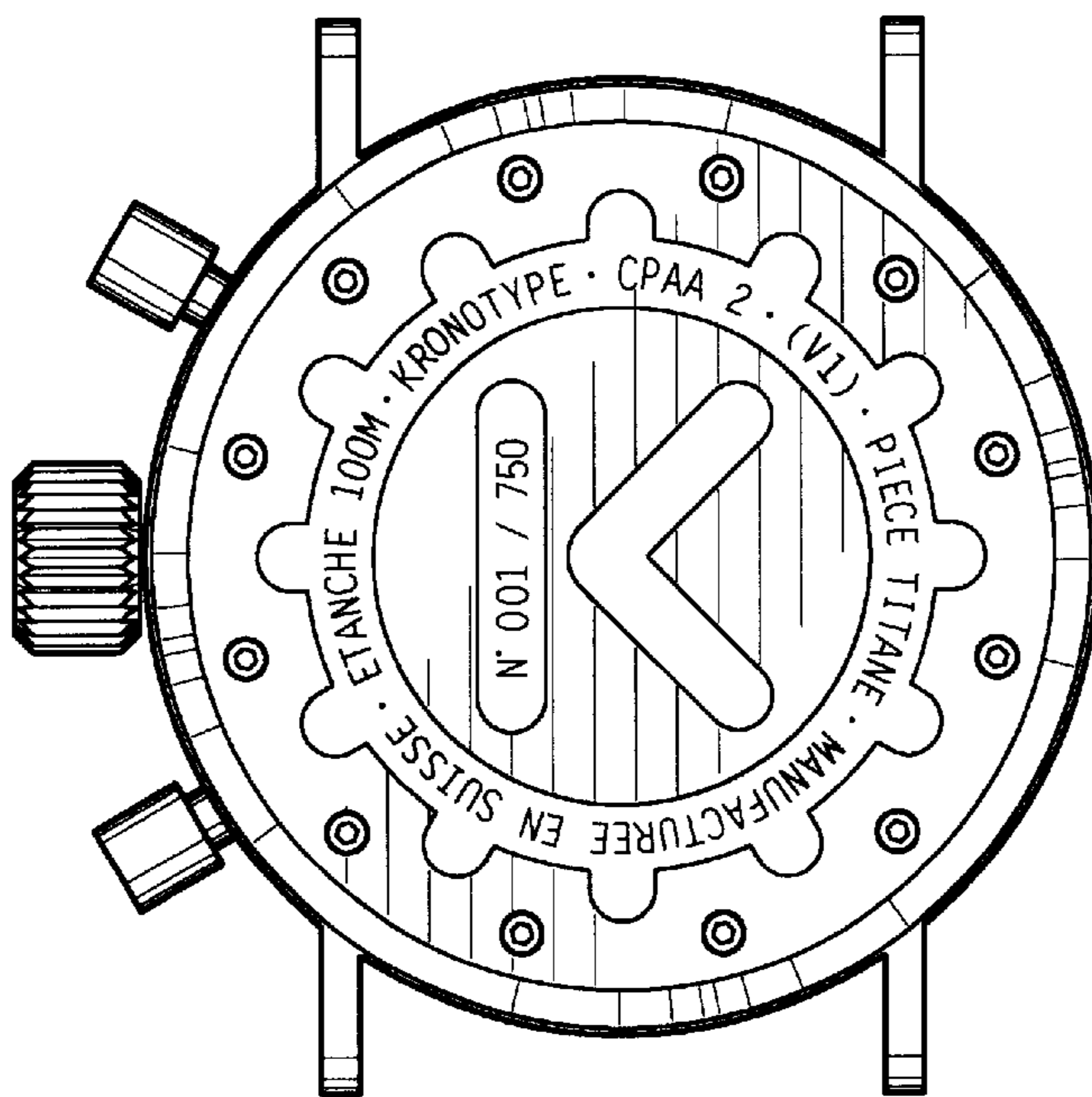
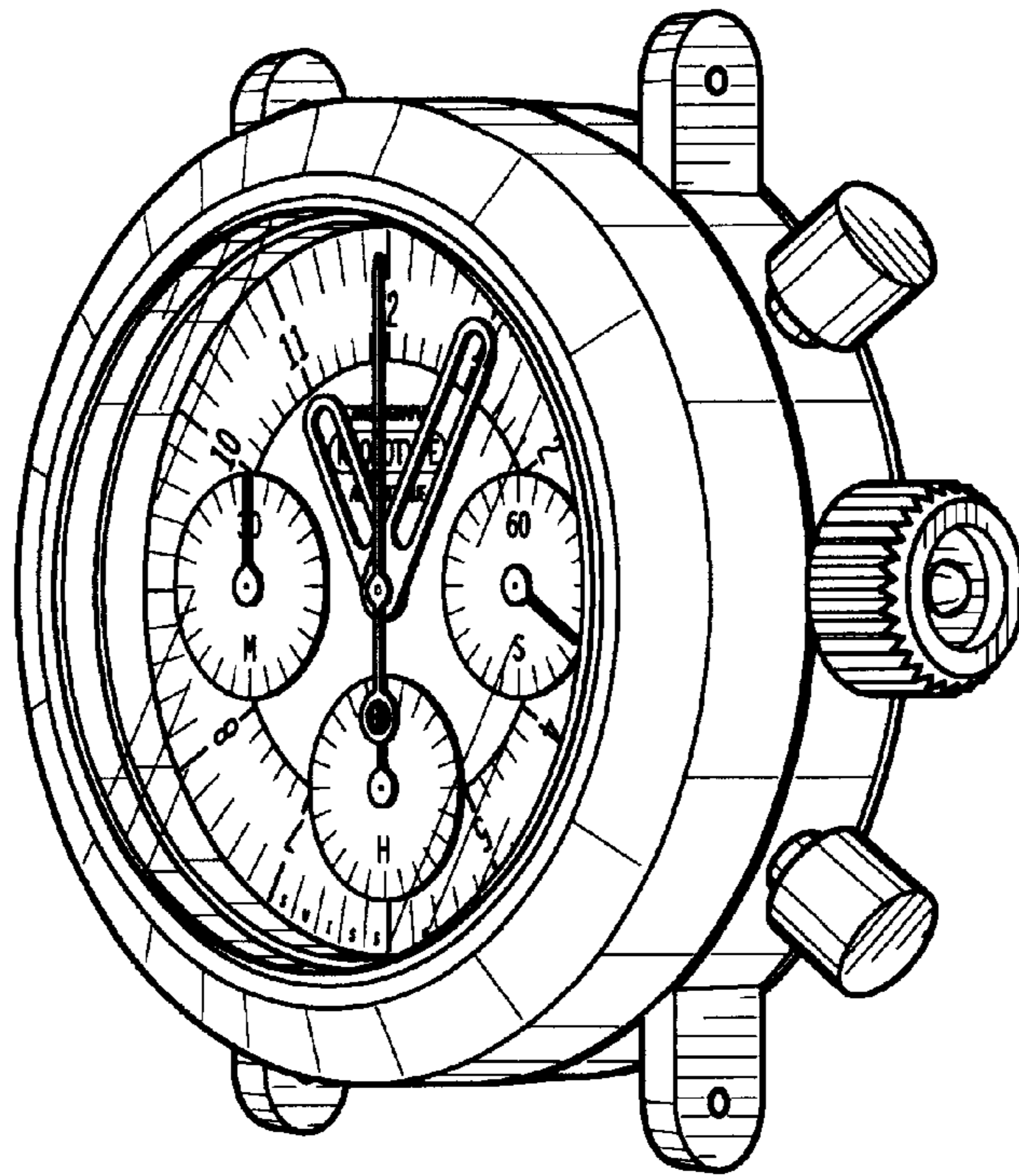
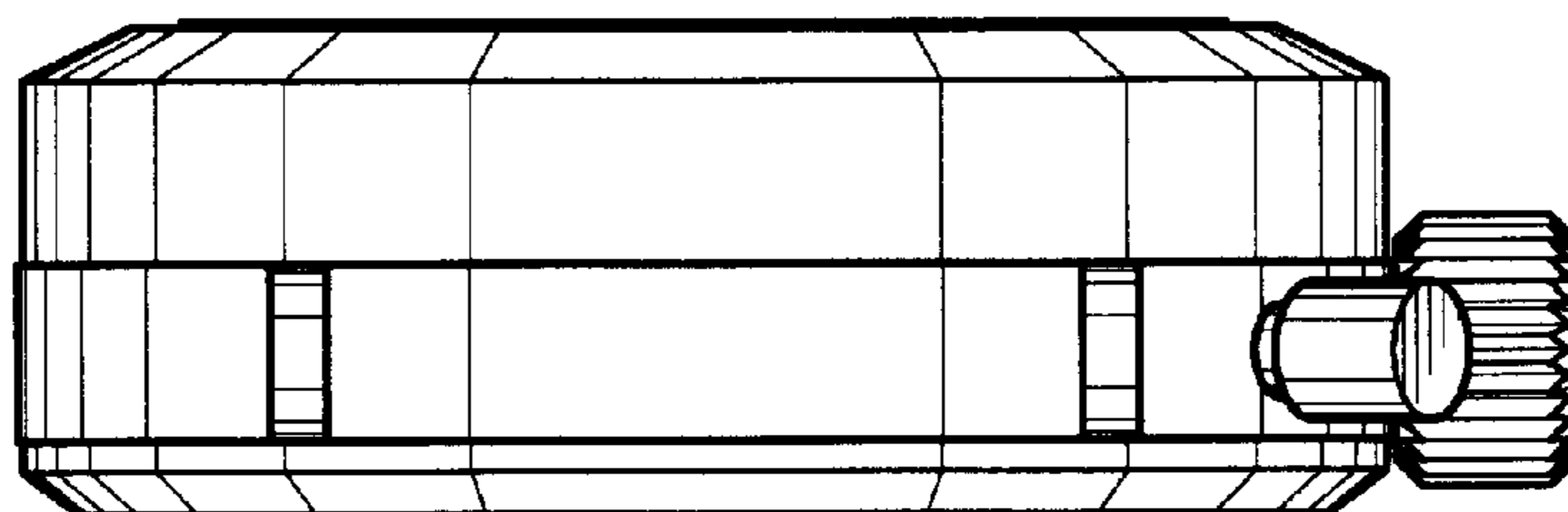


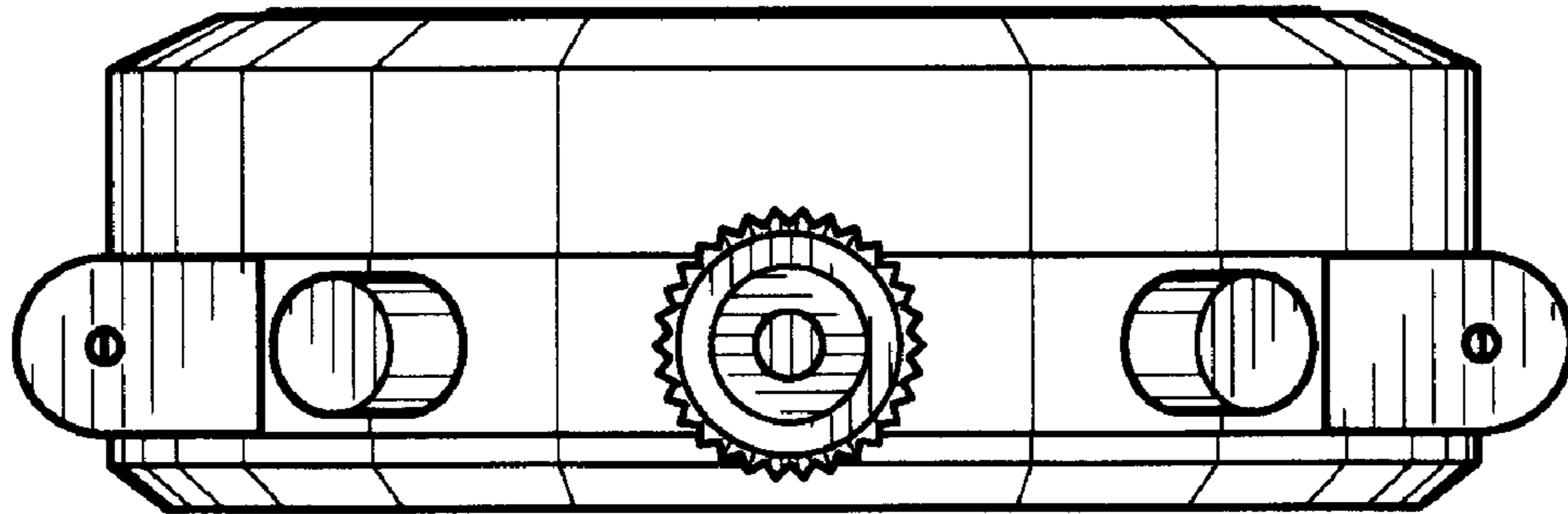
FIG. 2



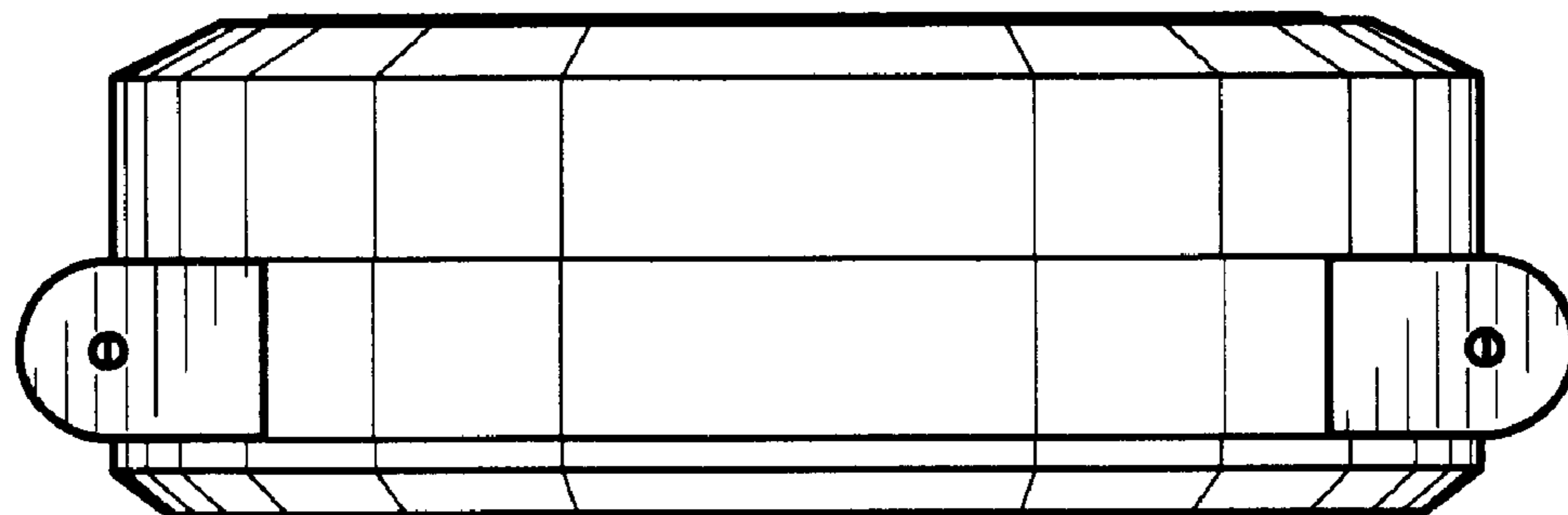
**FIG. 3**



**FIG. 4**



**FIG. 5**



**FIG. 6**

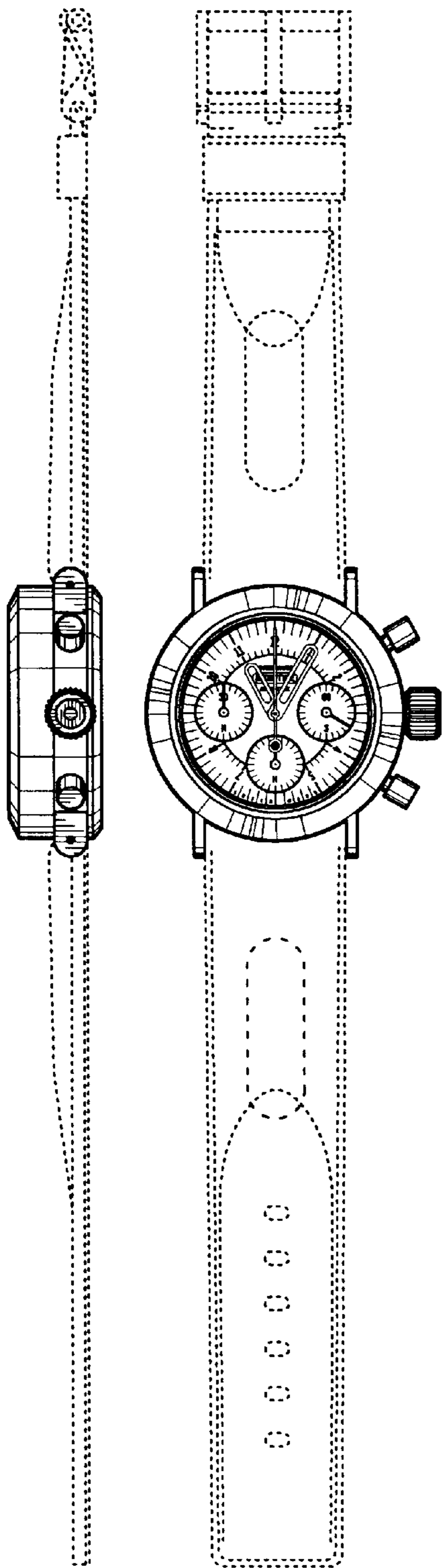


FIG. 7 FIG. 8

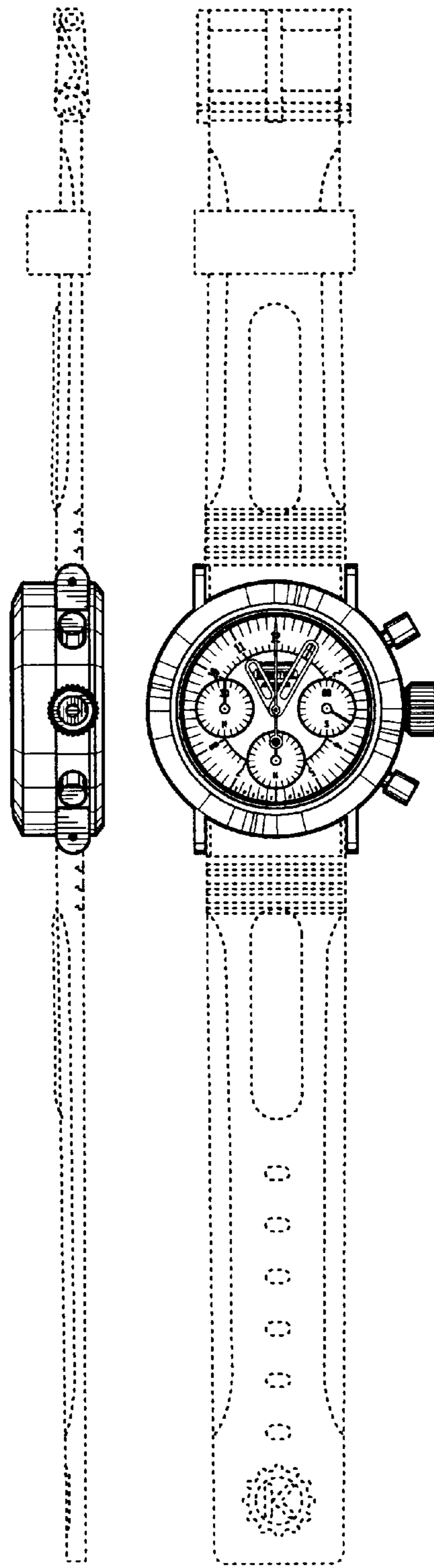


FIG. 9 FIG. 10