

US00D502410S

(12) **United States Design Patent** (10) **Patent No.:** **US D502,410 S**
Dias (45) **Date of Patent:** **** Mar. 1, 2005**

(54) **WATCH CASE WITH COVER-CROWN AND BRACELET**

(74) *Attorney, Agent, or Firm*—Sturm & Fix LLP

(76) **Inventor:** **M. Carlos Dias**, 19, rue du Grand-Bureau, 1227 Geneva (CH)

(57) **CLAIM**

The ornamental design for a watch case with cover-crown and bracelet, as shown and described.

(**) **Term:** **14 Years**

DESCRIPTION

(21) **Appl. No.:** **29/203,296**

A portion of the disclosure of this patent document, including appendices, may contain material which is subject to copyright protection. The copyright owner has no objection to the facsimile reproduction by anyone of the patent document or the patent disclosure, as it appears in the Patent and Trademark Office patent file or records, but otherwise reserves all copyright rights whatsoever.

(22) **Filed:** **Apr. 13, 2004**

(30) **Foreign Application Priority Data**

Oct. 23, 2003 (WO) DMA/006 199

(51) **LOC (7) Cl.** **10-02**

(52) **U.S. Cl.** **D10/32; D10/128**

(58) **Field of Search** D10/1-40, 122-132; 368/276-277, 281-282, 285; D11/3-25; 63/1.1, 3, 5, 11; 224/164, 168, 178

FIG. 1 is an upper right hand perspective view of the watch case with cover-crown and bracelet showing my new design; FIG. 2 is an upper left hand perspective view thereof; FIG. 3 is a top plan view thereof; FIG. 4 is a bottom plan view thereof; FIG. 5 is a right side elevational view thereof; FIG. 6 is a front elevational view, the rear elevational view being a mirror image thereof; FIG. 7 is a left side elevational view thereof; FIG. 8 is a partial enlarged side view but with the cover pivoted open like in the FIG. 1 position; FIG. 9 is an enlarged perspective view as shown in FIG. 1, but with the cover pivoted open from the position shown in FIG. 1; FIG. 10 is an enlarged partial perspective view showing in more detail a portion of what is shown in FIG. 1; and, FIG. 11 is an enlarged partial bottom view similar to FIG. 4, but having the cover open.

(56) **References Cited**

U.S. PATENT DOCUMENTS

D410,581 S	*	6/1999	Tanaka	D10/30
D421,919 S	*	3/2000	Bodino	D10/32
D422,223 S	*	4/2000	Bodino	D10/32
D437,337 S	*	2/2001	Kawasaki et al.	D16/230
D441,306 S	*	5/2001	Buccellati	D10/32
D445,934 S	*	7/2001	Dalton et al.	D26/49
D446,131 S	*	8/2001	Monachon	D10/39
D451,826 S	*	12/2001	Giardiello	D10/32
D455,357 S	*	4/2002	Ikegami et al.	D10/32
D462,278 S	*	9/2002	Wunderman	D10/32

* cited by examiner

Primary Examiner—Nelson C. Holtje

1 Claim, 2 Drawing Sheets

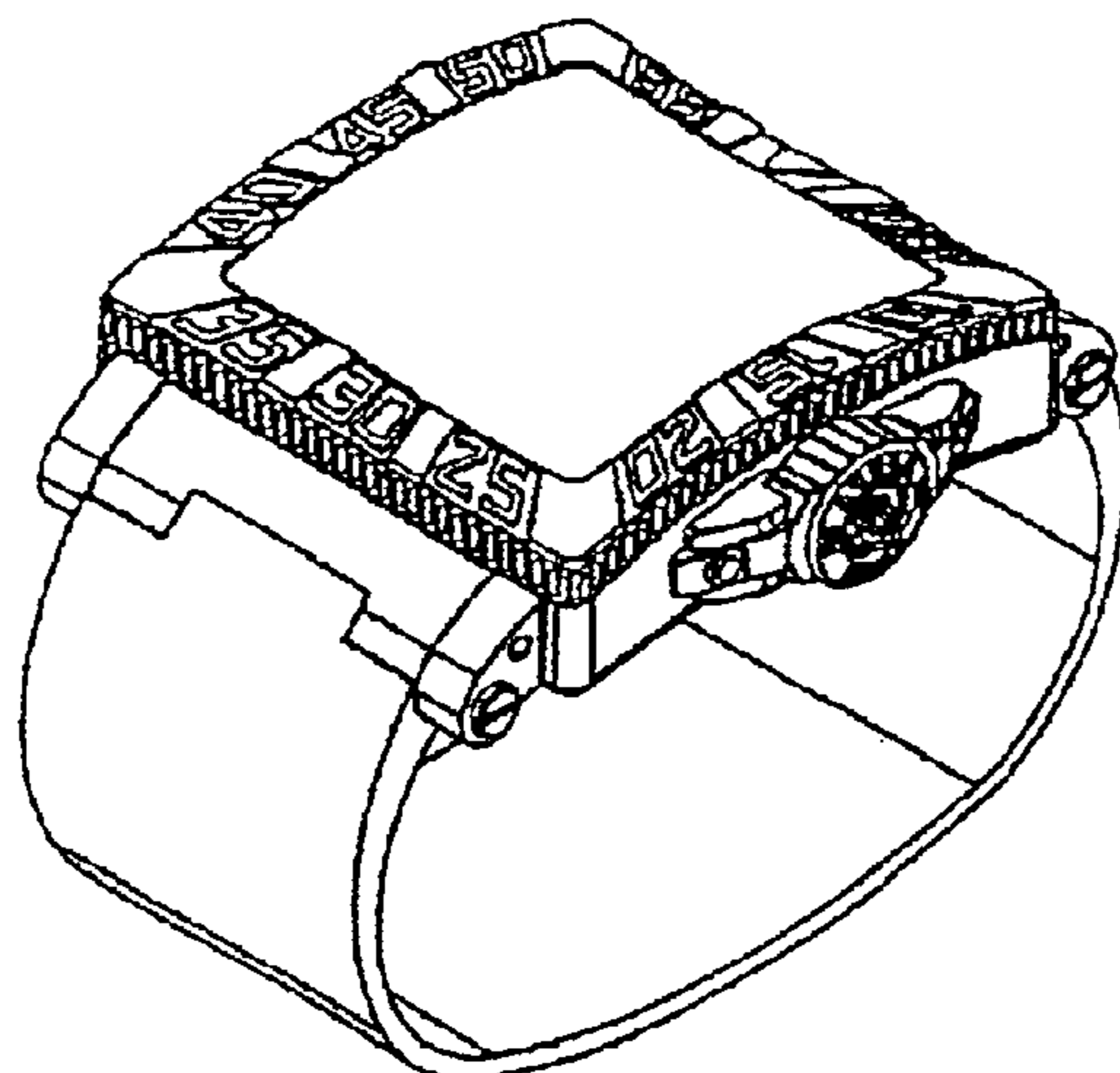


Fig. 1

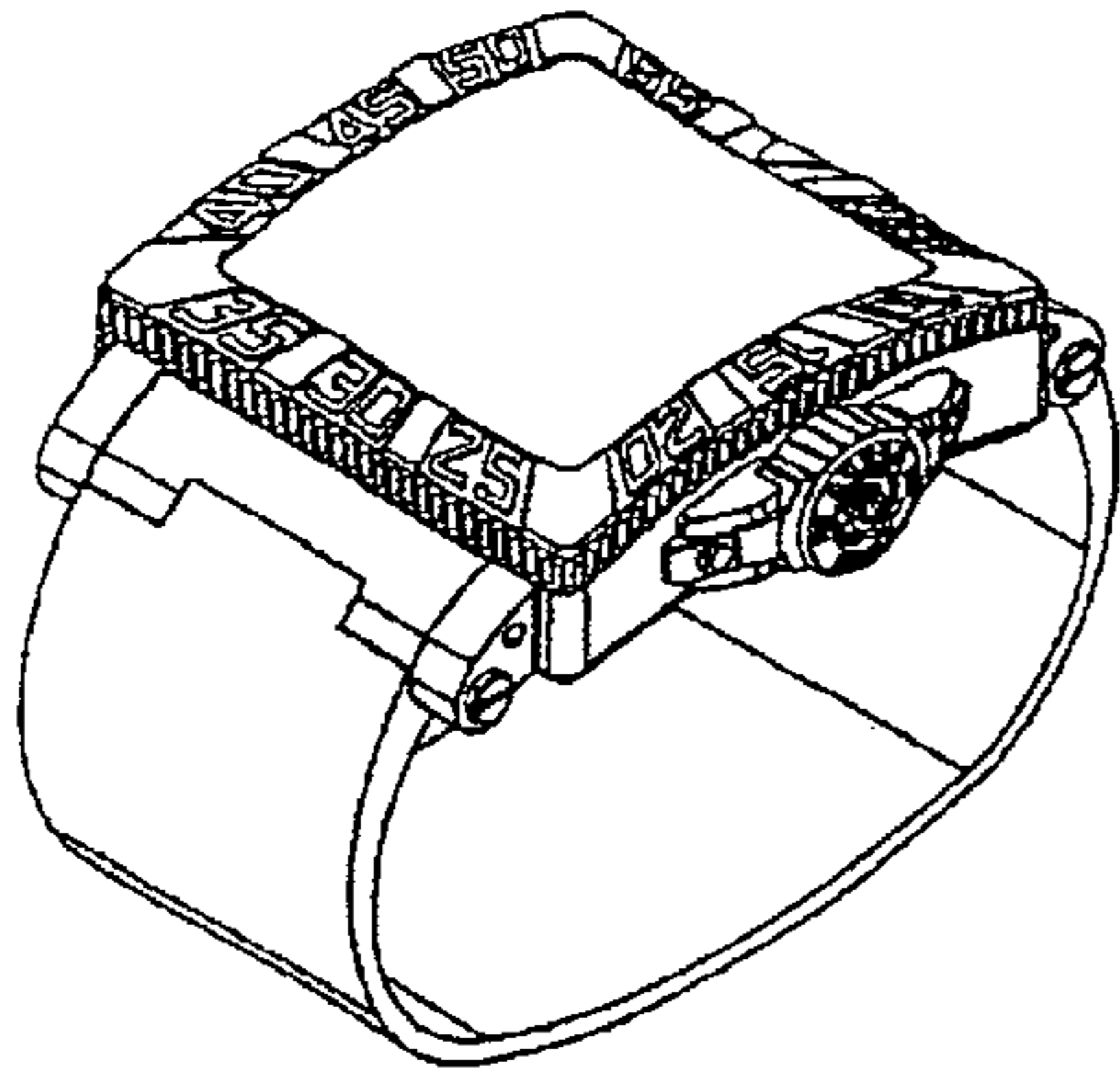


Fig. 2

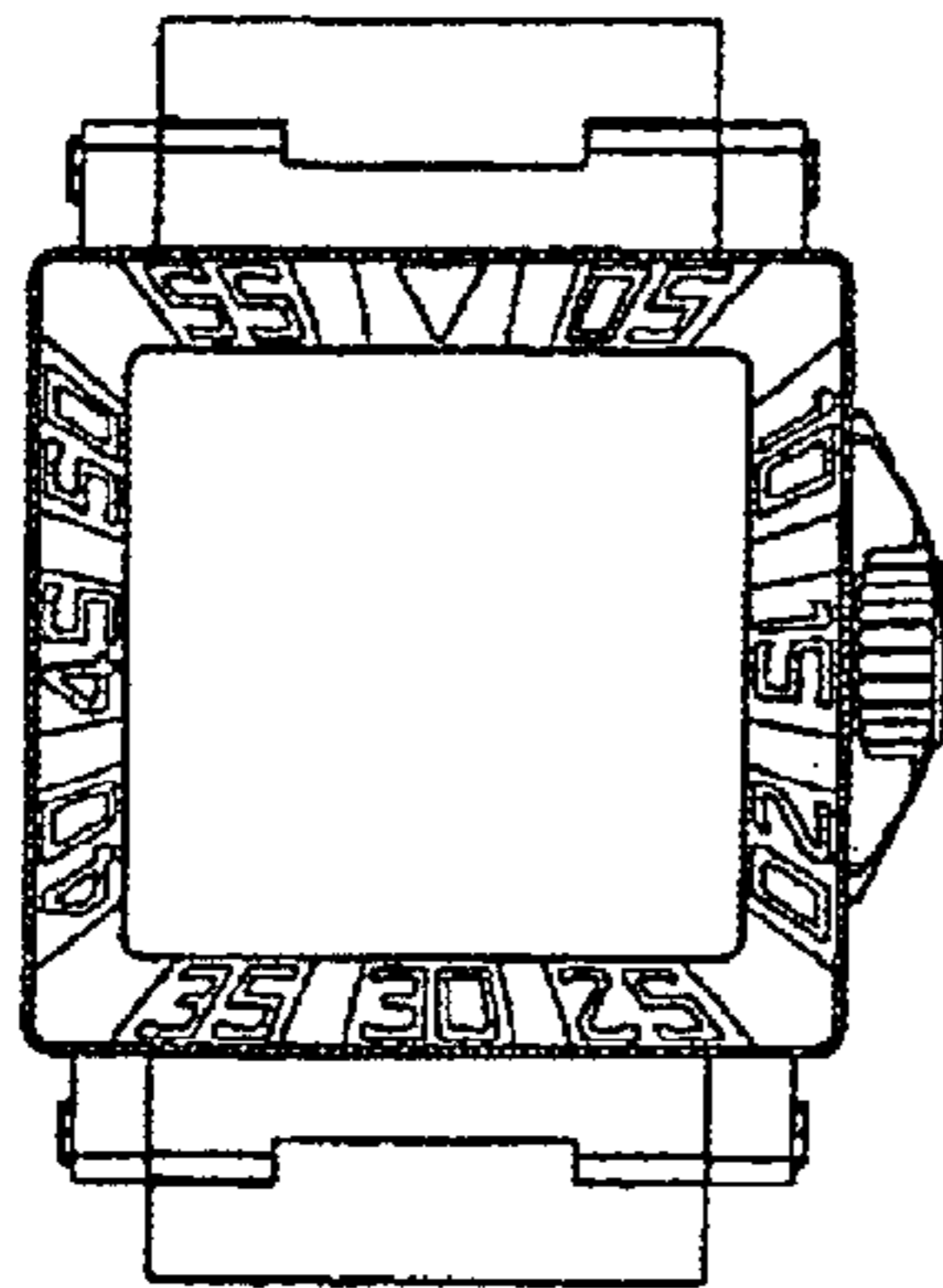
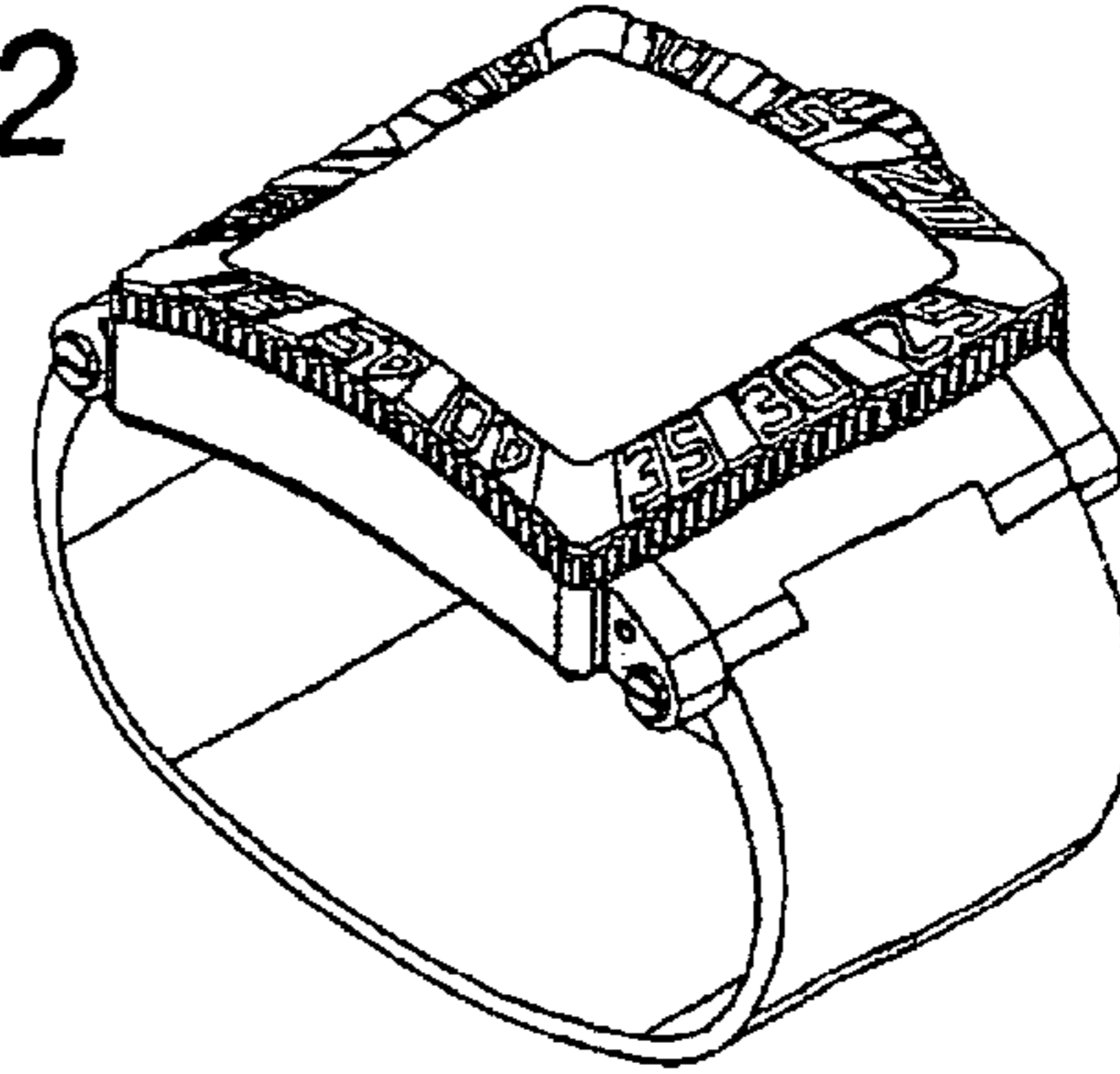


Fig. 3

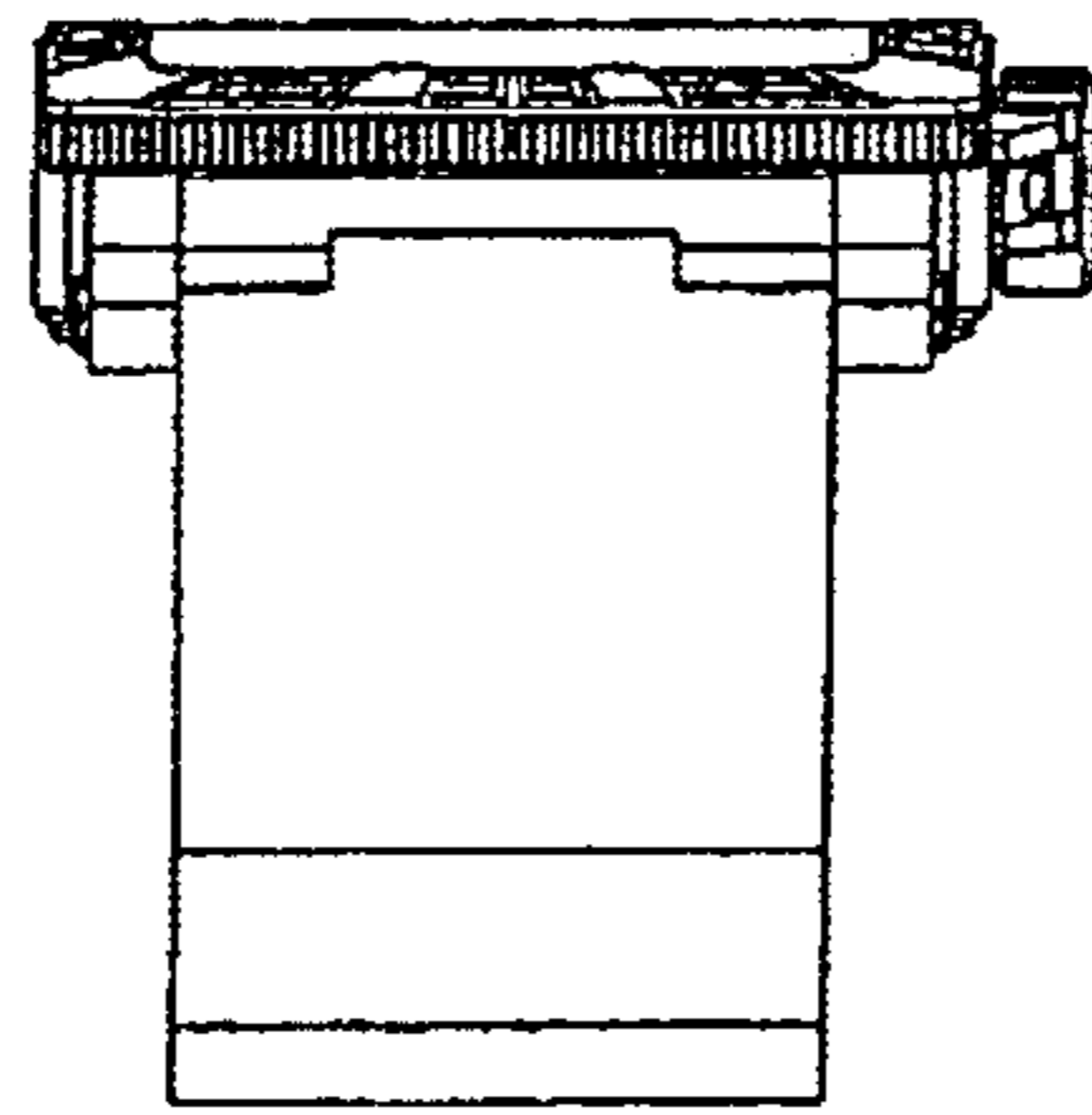


Fig. 6

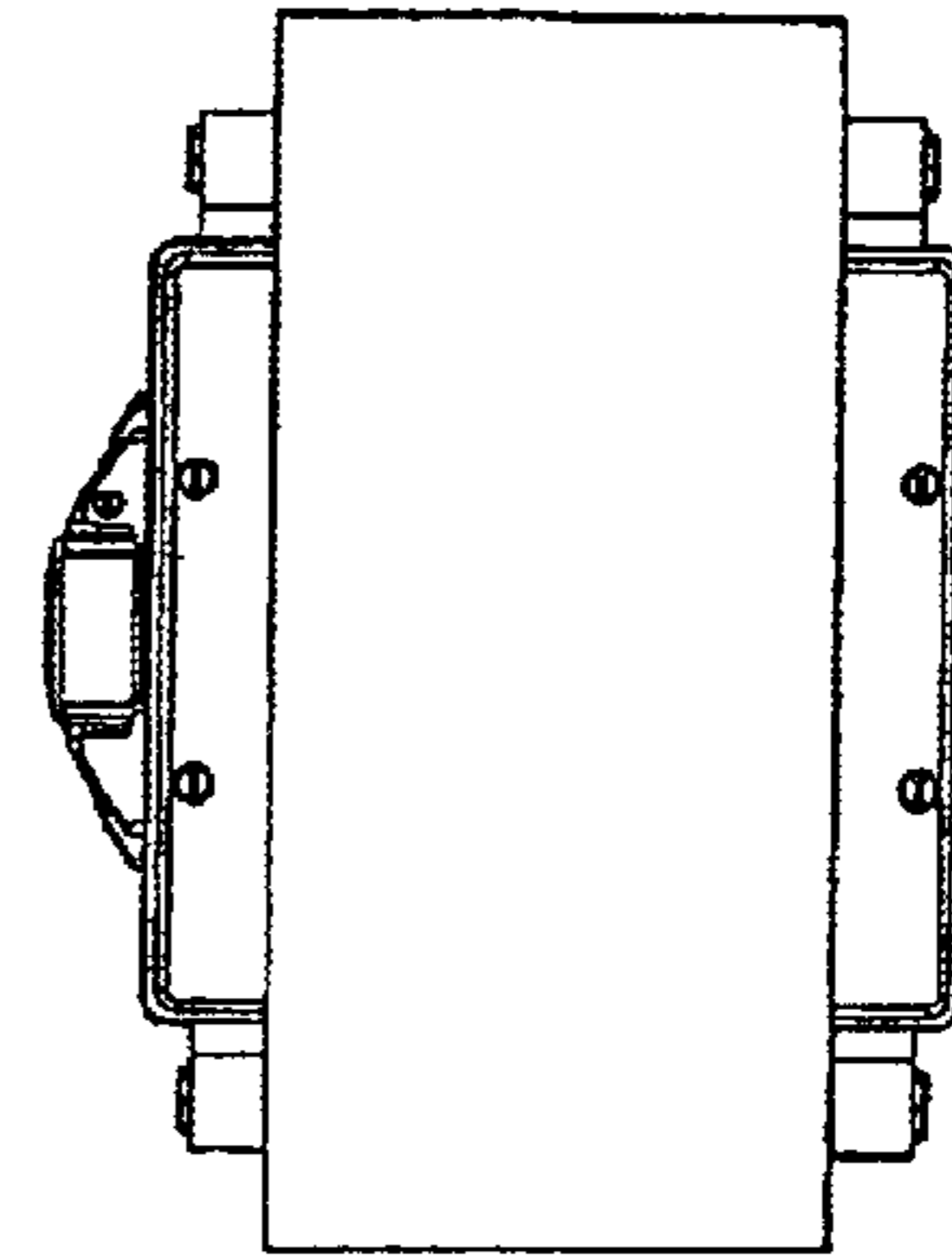


Fig. 4

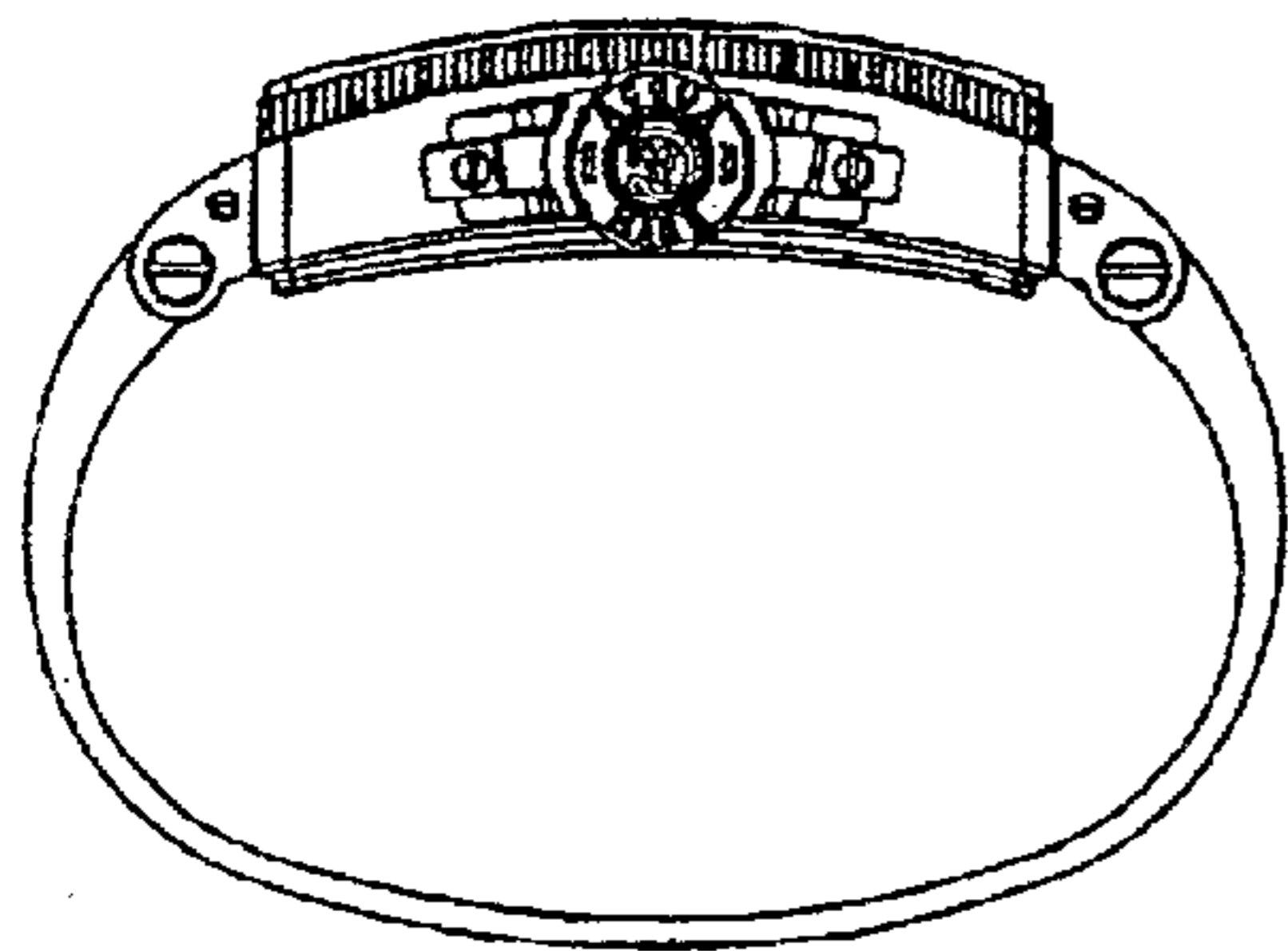


Fig. 5

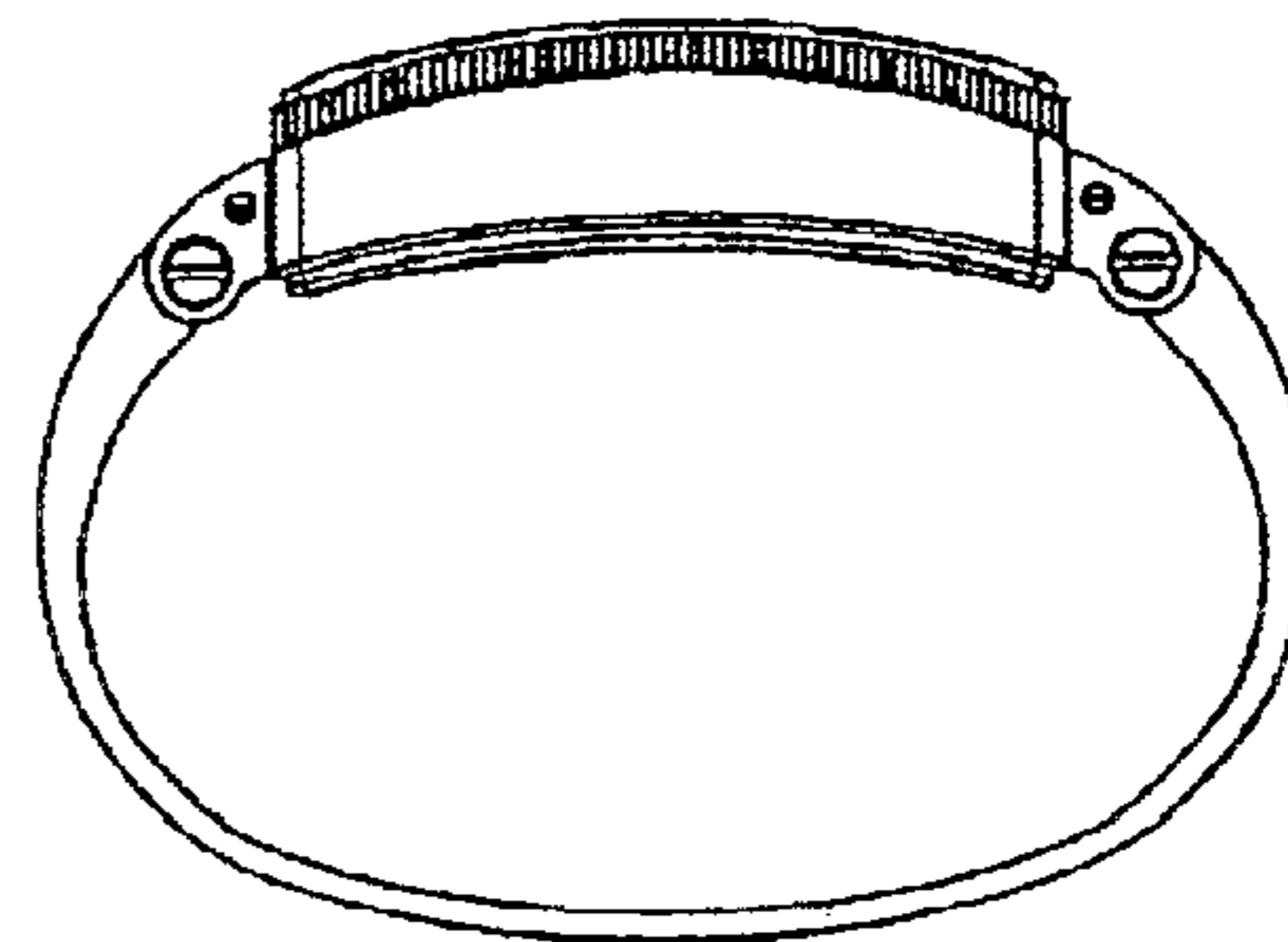


Fig. 7

Fig. 8

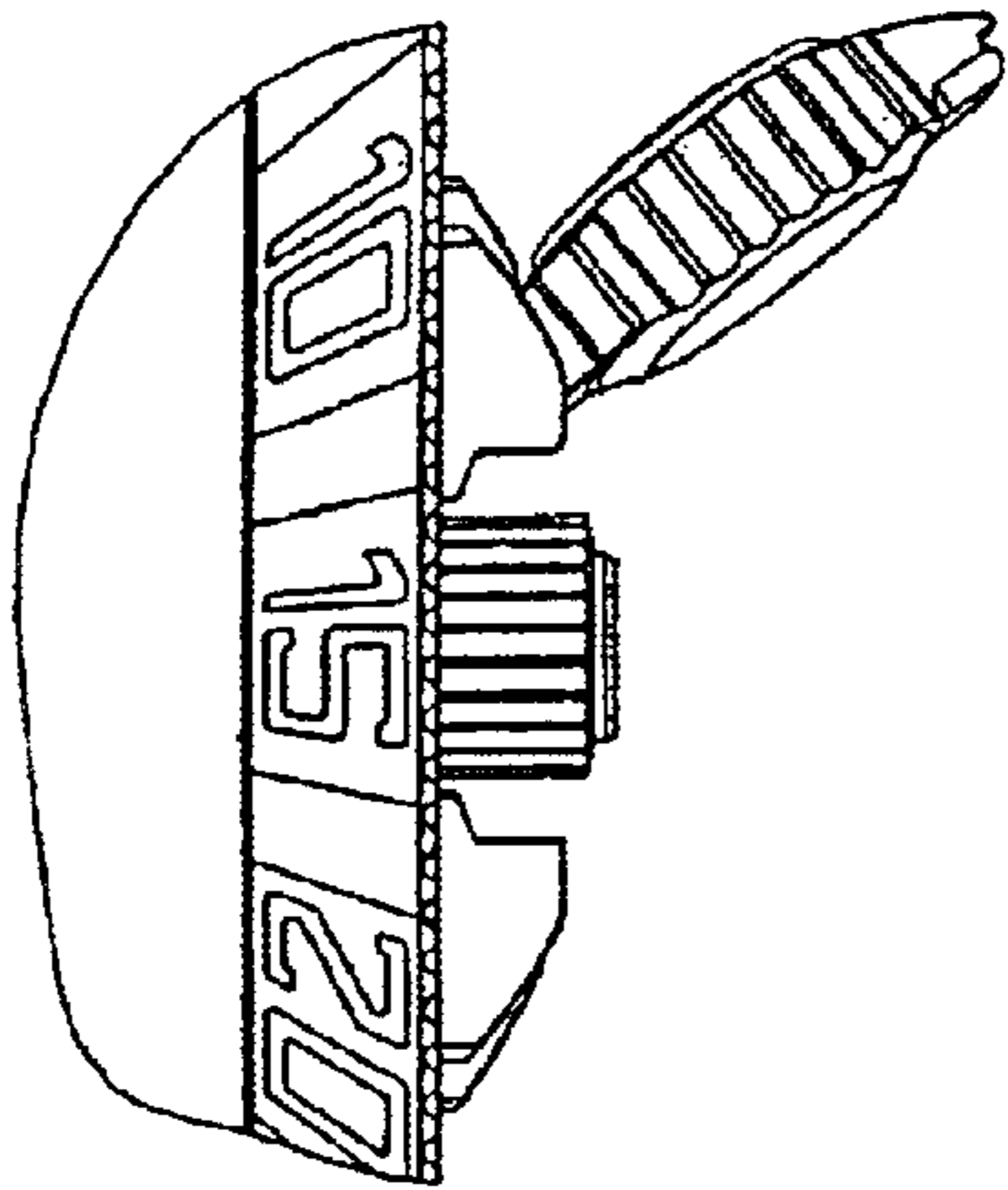


Fig. 9

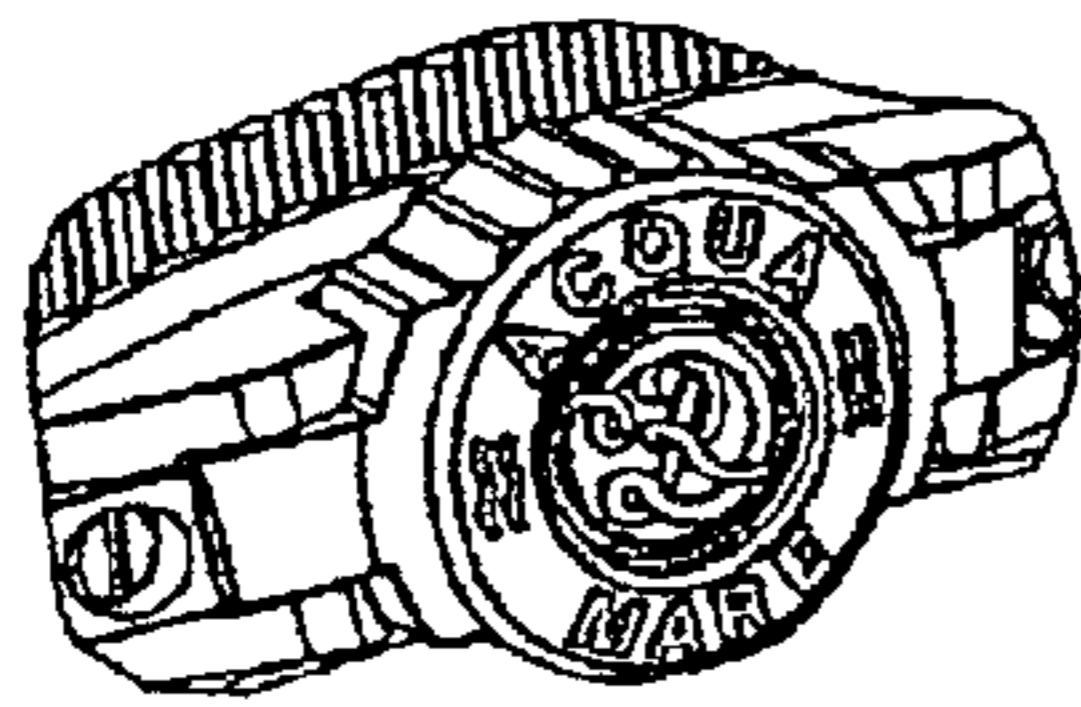
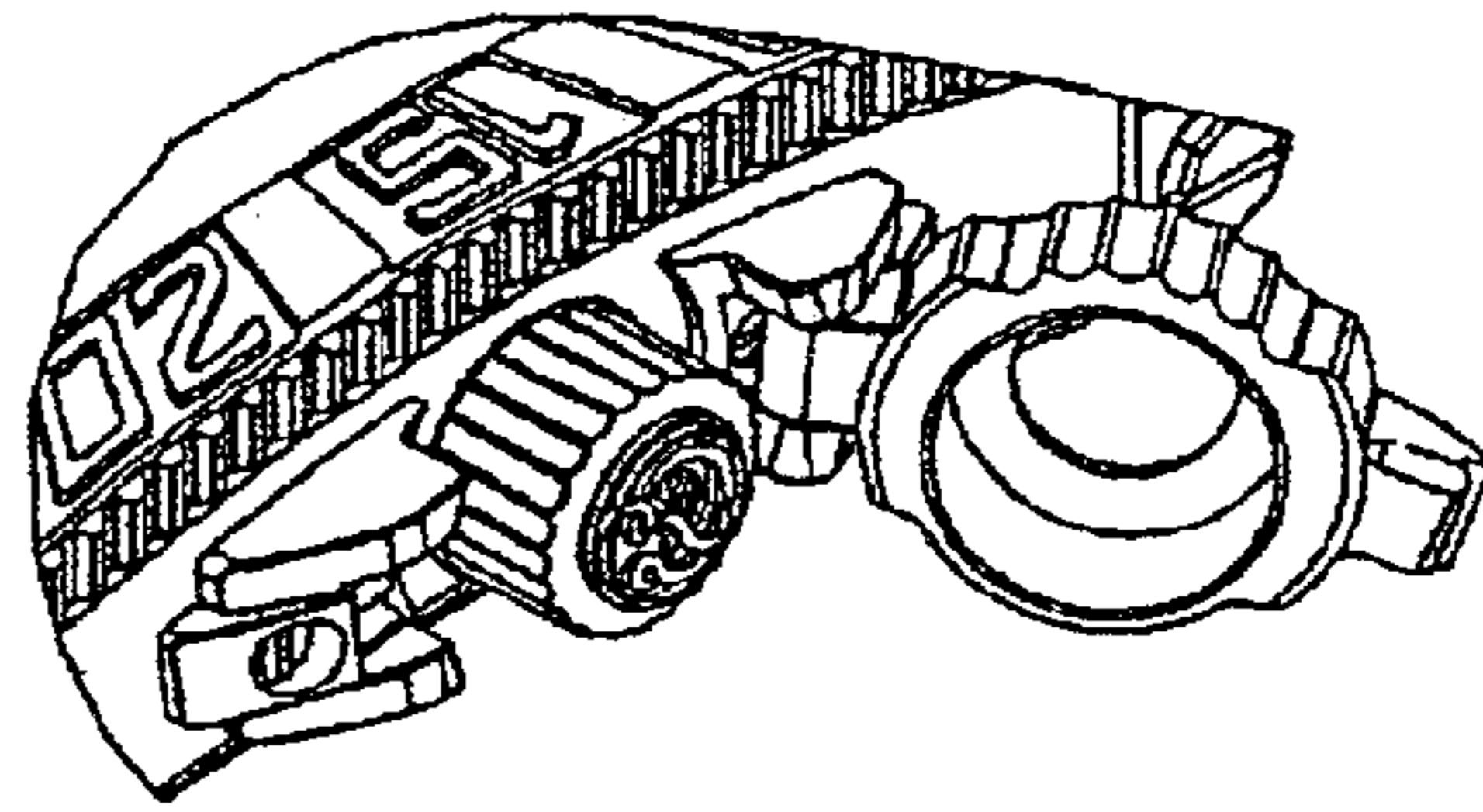


Fig. 10

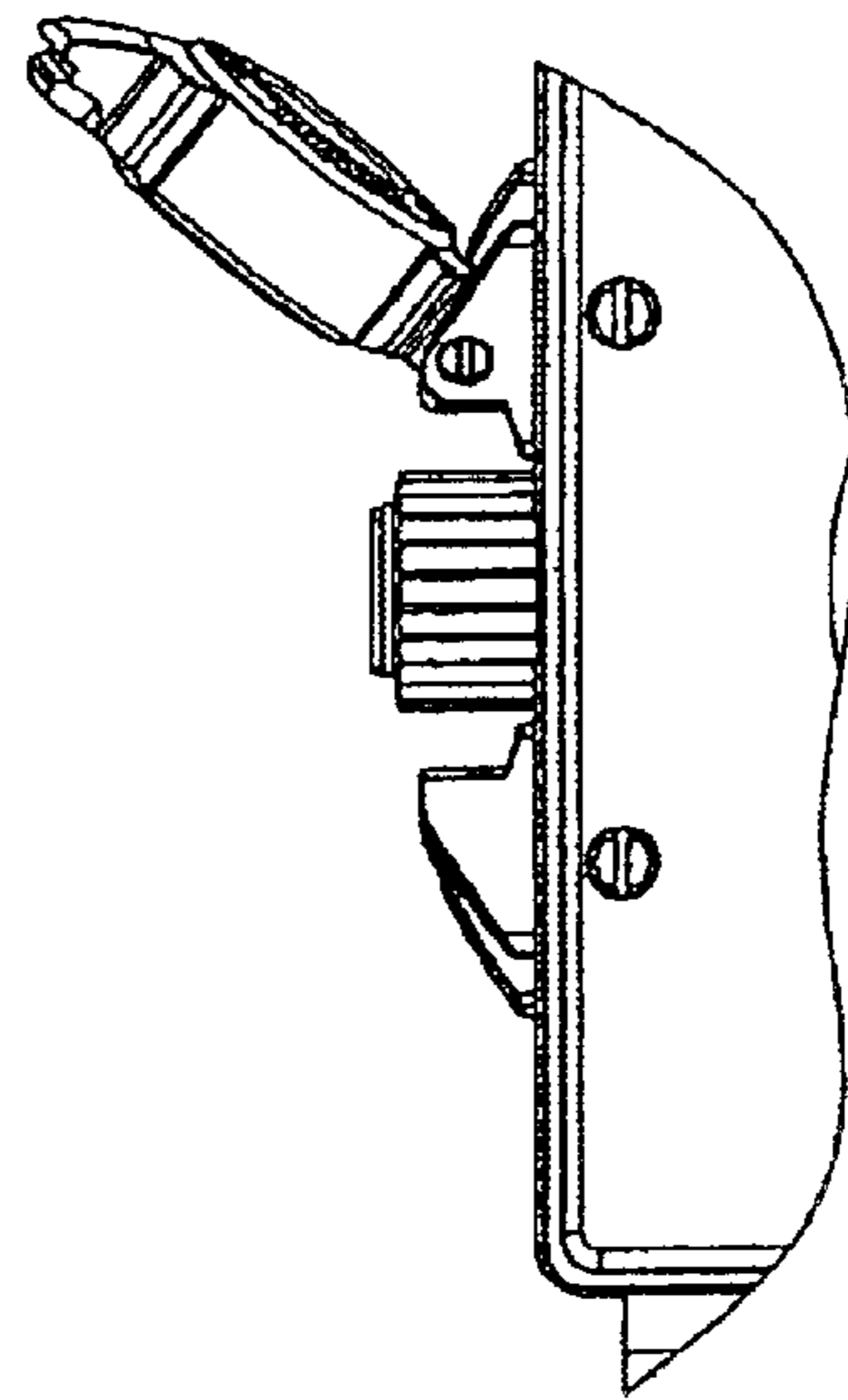


Fig. 11