

US00D502405S

(12) **United States Design Patent**
Dorn et al.

(10) **Patent No.:** **US D502,405 S**
(45) **Date of Patent:** **** Mar. 1, 2005**

(54) **CONTAINER**

(75) **Inventors:** **James C. Dorn**, Norton, OH (US);
Richard A. Lovelace, Jr., Akron, OH
(US); **Richard C. Darr**, Medina, OH
(US)

(73) **Assignee:** **Plastipak Packaging, Inc.**, Plymouth,
MI (US)

(**) **Term:** **14 Years**

(21) **Appl. No.:** **29/203,298**

(22) **Filed:** **Apr. 13, 2004**

(51) **LOC (7) Cl.** **09-01**

(52) **U.S. Cl.** **D9/551; D9/553; D9/558**

(58) **Field of Search** D9/500, 502, 516,
D9/538-541, 549-554, 557-558, 560, 563-567,
570, 574-575, 636, 643, 645, 655, 657-658,
661, 664; 215/382-384, 396, 398, 400

(56) **References Cited**

U.S. PATENT DOCUMENTS

D67,463 S * 6/1925 Johnson D9/557

D99,819 S * 5/1936 McLaughlin D9/563
D104,179 S * 4/1937 Berk D9/527
2,635,604 A * 4/1953 Fredrickson 215/399 X
D244,427 S * 5/1977 Schieser et al. D9/550
D264,942 S * 6/1982 Schieser et al. D9/563
D280,709 S * 9/1985 Waring D9/520
D291,658 S * 9/1987 Klette et al. D9/504
D327,219 S * 6/1992 Hestehave et al. D9/553 X
D430,038 S * 8/2000 Young et al. D9/549

* cited by examiner

Primary Examiner—Carol Rademaker

(74) *Attorney, Agent, or Firm*—Robert H. Bachman

(57) **CLAIM**

The ornamental design for a container, as shown and described.

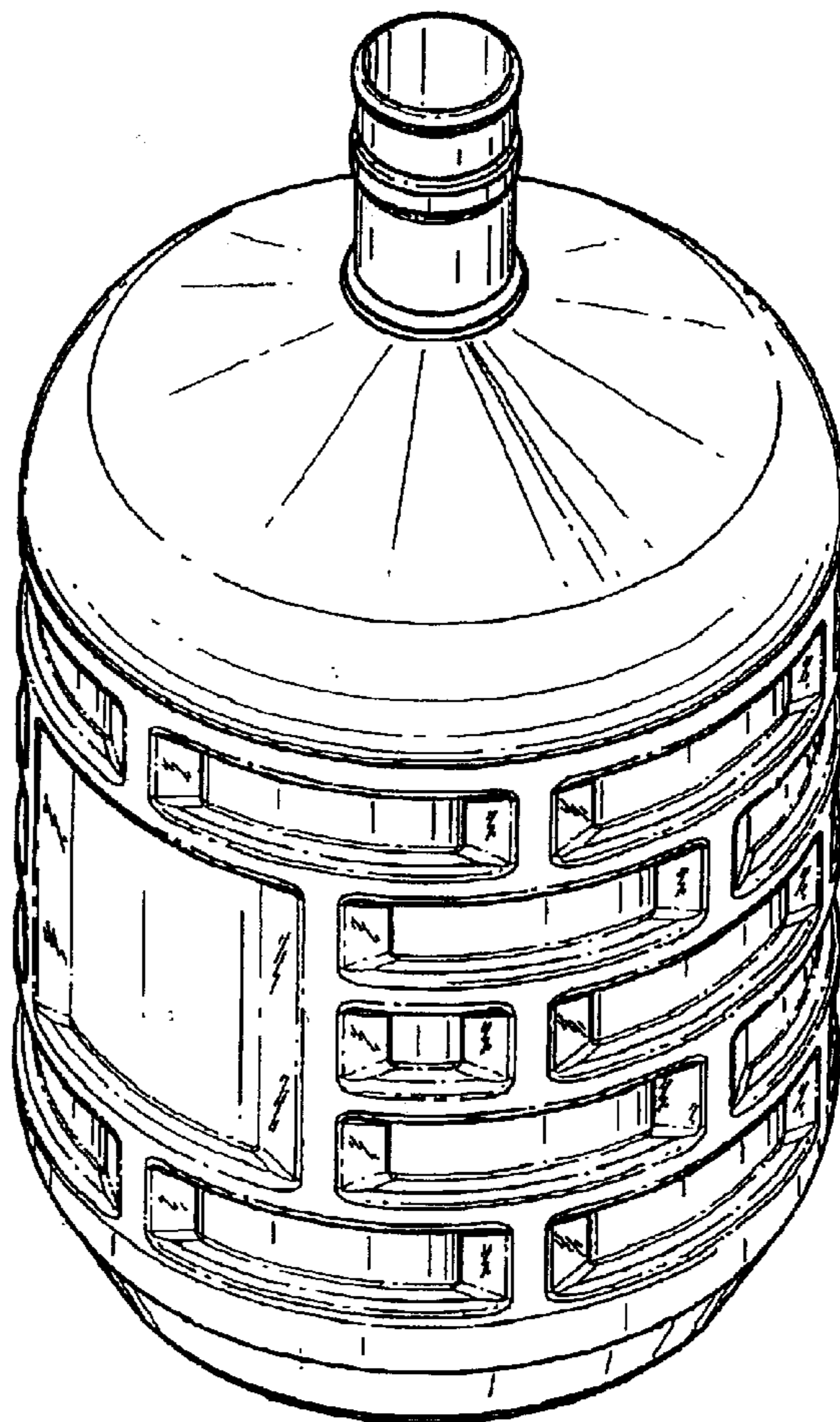
DESCRIPTION

FIG. 1 is a perspective view of the container of the present invention showing the front and right side thereof.

FIG. 2 is a right side elevation view thereof; and,

FIG. 3 is a front elevational view thereof.

1 Claim, 2 Drawing Sheets



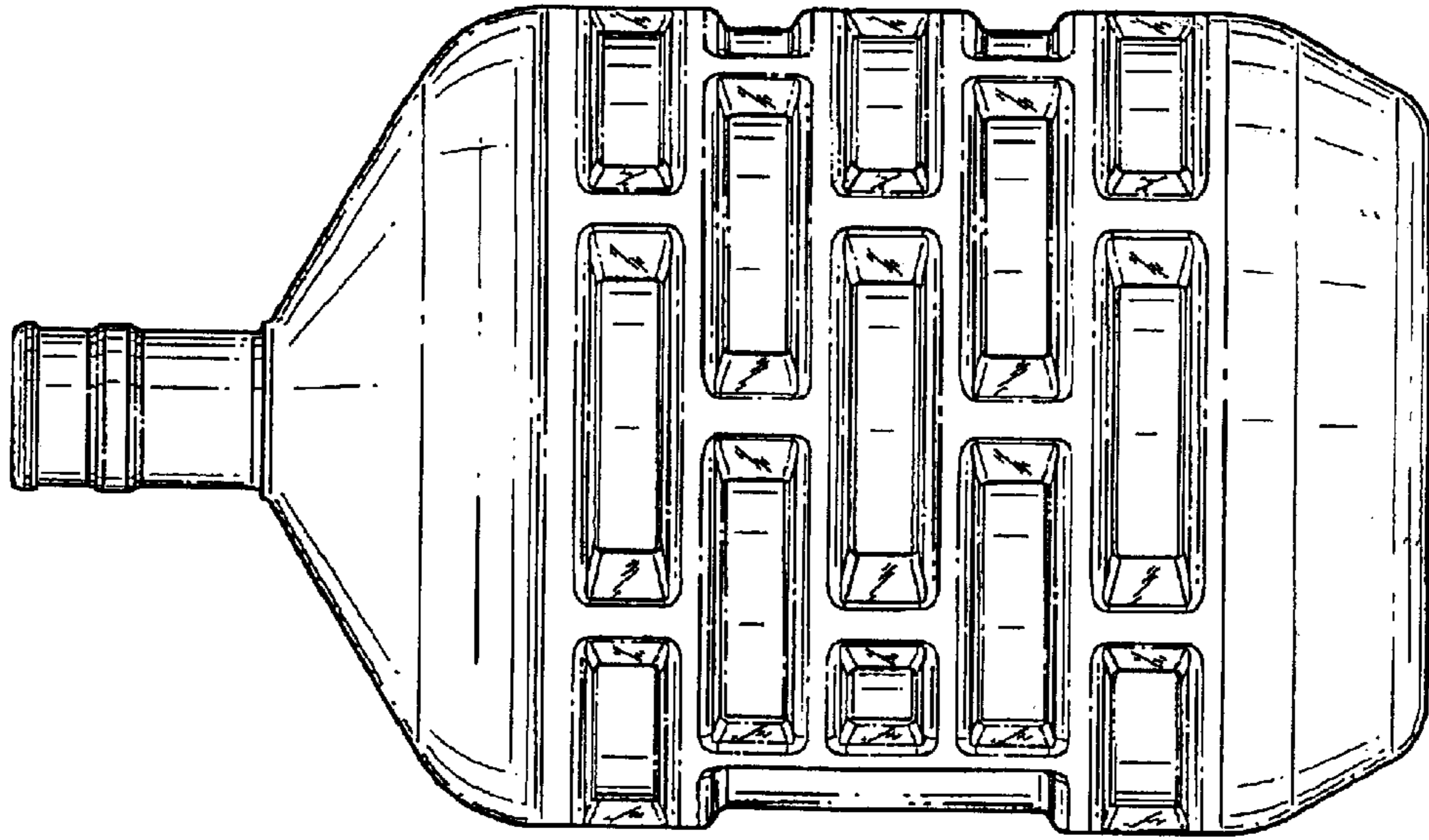


FIG. 2

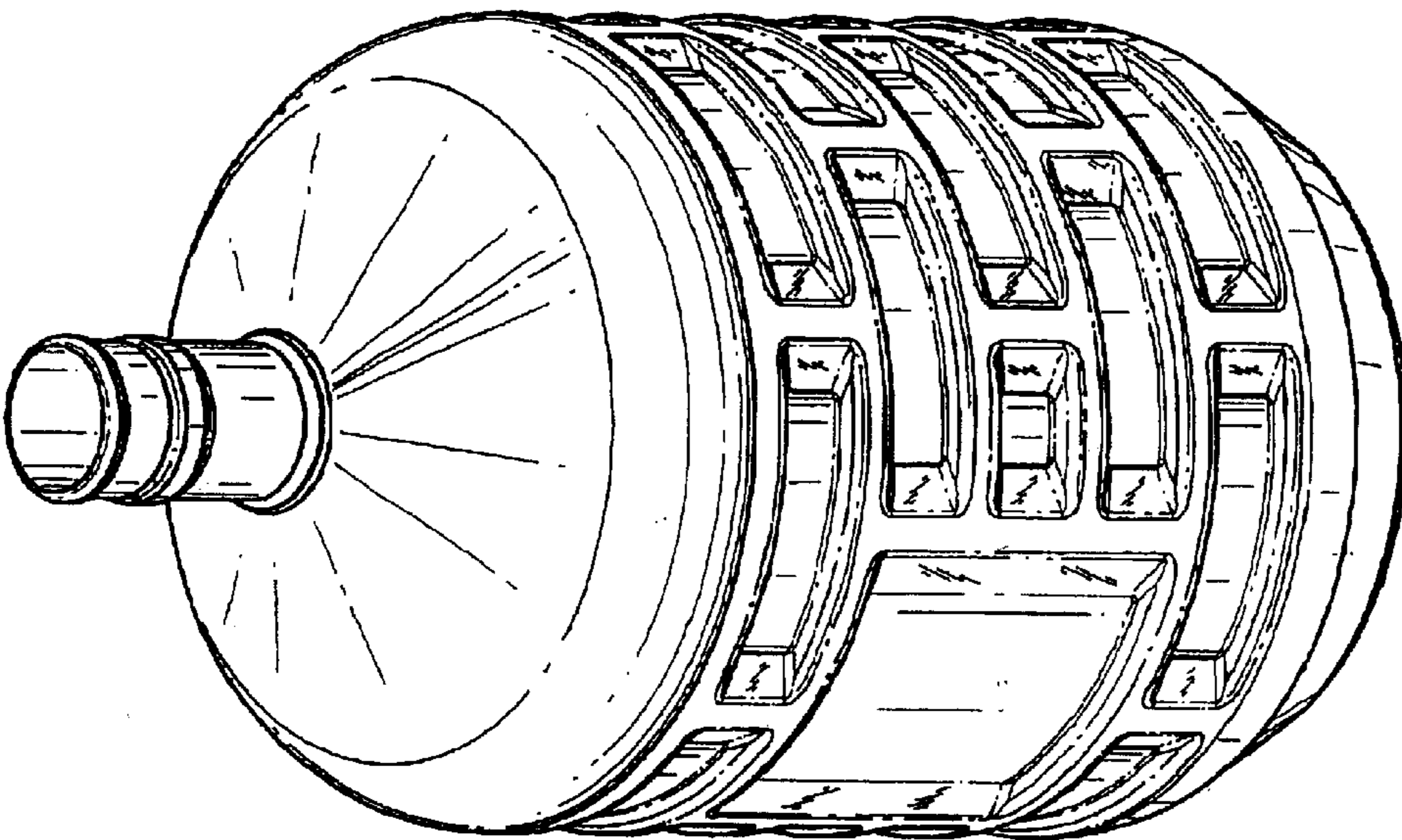


FIG. 1

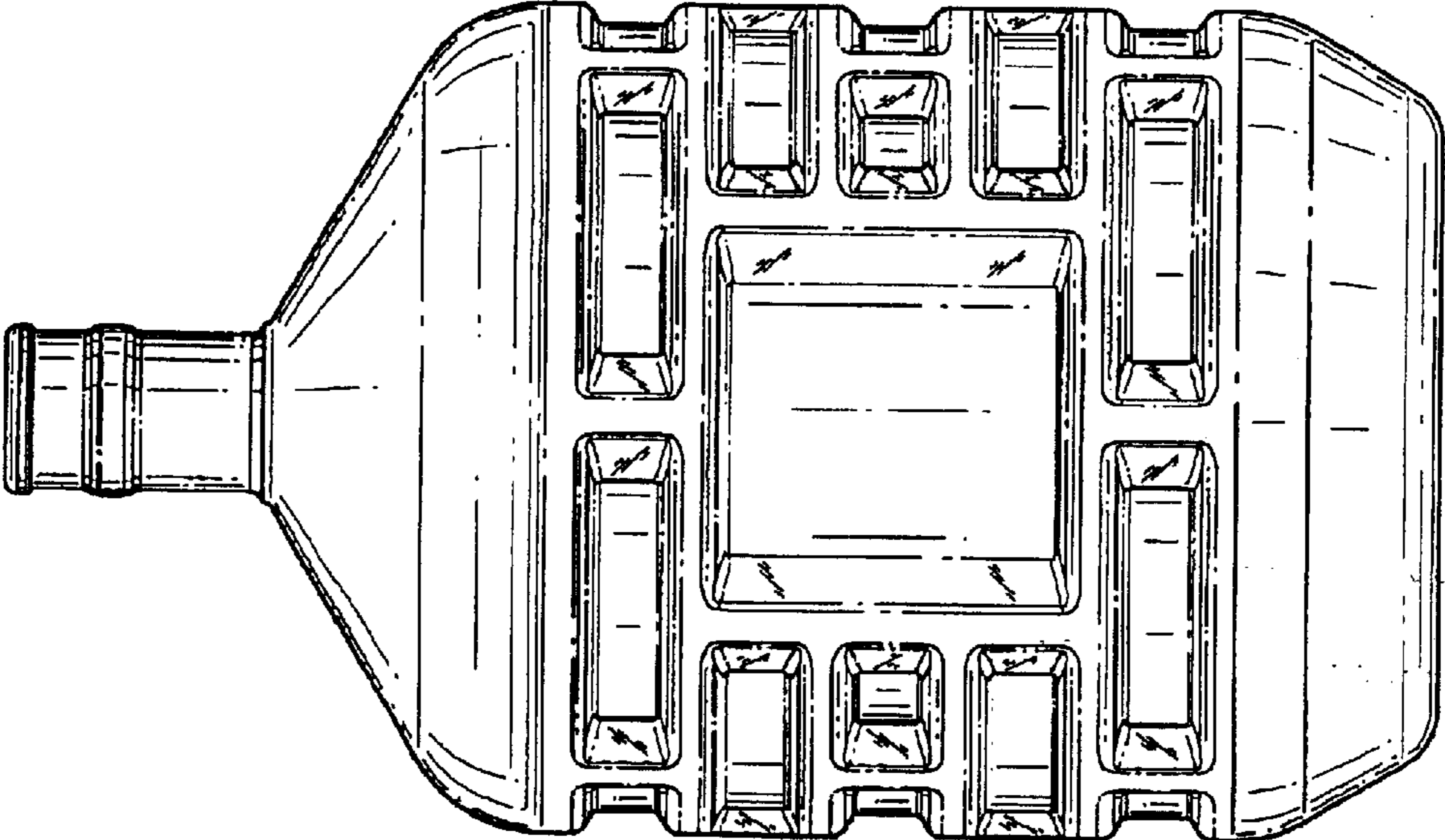


FIG. 3