



US00D502388S

(12) **United States Design Patent** (10) **Patent No.:** **US D502,388 S**
Cortez et al. (45) **Date of Patent:** **** Mar. 1, 2005**

(54) **BENT WIRE MOUNT**

(74) *Attorney, Agent, or Firm*—Leydig, Voit & Mayer, Ltd.

(75) **Inventors:** **Vito P. Cortez**, Rockton, IL (US);
Craig Zadak, Roscoe, IL (US); **Daniel J. Valiulis**, South Beloit, IL (US)

(57) **CLAIM**

We claim the ornamental design for the bent wire mount, as shown and described.

(73) **Assignee:** **Southern Imperial, Inc.**, Rockford, IL (US)

DESCRIPTION

(**) **Term:** **14 Years**

(21) **Appl. No.:** **29/174,753**

(22) **Filed:** **Jan. 23, 2003**

(51) **LOC (7) Cl.** **08-05**

(52) **U.S. Cl.** **D8/356**

(58) **Field of Search** D6/513, 553; D8/349, D8/354, 355, 356, 371, 373, 380, 382, 367; 211/54.1, 57.1, 59.1; 248/220.22, 220.31, 220.41, 220.42, 220.43, 221.11, 222.11, 222.51, 223.31, 223.41, 225.11, 300, 231.81, 216.1, 216.4

FIG. 1 is an isometric view of the bent wire mount, taken from the front and right;
FIG. 2 is a top view of the bent wire mount shown in FIG. 1;
FIG. 3 is a front view of the bent wire mount shown in FIG. 1;
FIG. 4 is a bottom view of the bent wire mount shown in FIG. 1;
FIG. 5 is a rear view of the bent wire mount shown in FIG. 1;
FIG. 6 is a side view of the bent wire mount shown in FIG. 1, taken from the left;
FIG. 7 is a side view of the bent wire mount shown in FIG. 1, taken from the right;
FIG. 8 is an isometric view of another alternate embodiment of the bent wire mount shown in FIGS. 1-7;
FIG. 9 is a top view of the bent wire mount shown in FIG. 8;
FIG. 10 is a front view of the bent wire mount shown in FIG. 8;
FIG. 11 is a bottom view of the bent wire mount shown in FIG. 8;
FIG. 12 is a rear view of the bent wire mount shown in FIG. 8;
FIG. 13 is a side view of the bent wire mount shown in FIG. 8, taken from the left; and,
FIG. 14 is a side view of the bent wire mount shown in FIG. 8, taken from the right.

(56) **References Cited**

U.S. PATENT DOCUMENTS

D272,414 S	1/1984	Barnes	
4,452,360 A	6/1984	Barnes	
4,869,376 A	9/1989	Valiulis et al.	
5,231,779 A	8/1993	Valiulis et al.	
D467,792 S	12/2002	Zadak et al.	
D470,395 S	* 2/2003	Valiulis et al.	D8/373
D470,397 S	* 2/2003	Valiulis et al.	D8/380
6,601,808 B1	* 8/2003	Nagel	248/220.31

* cited by examiner

Primary Examiner—Joel A. Sincavage
Assistant Examiner—Elizabeth Albert

1 Claim, 8 Drawing Sheets

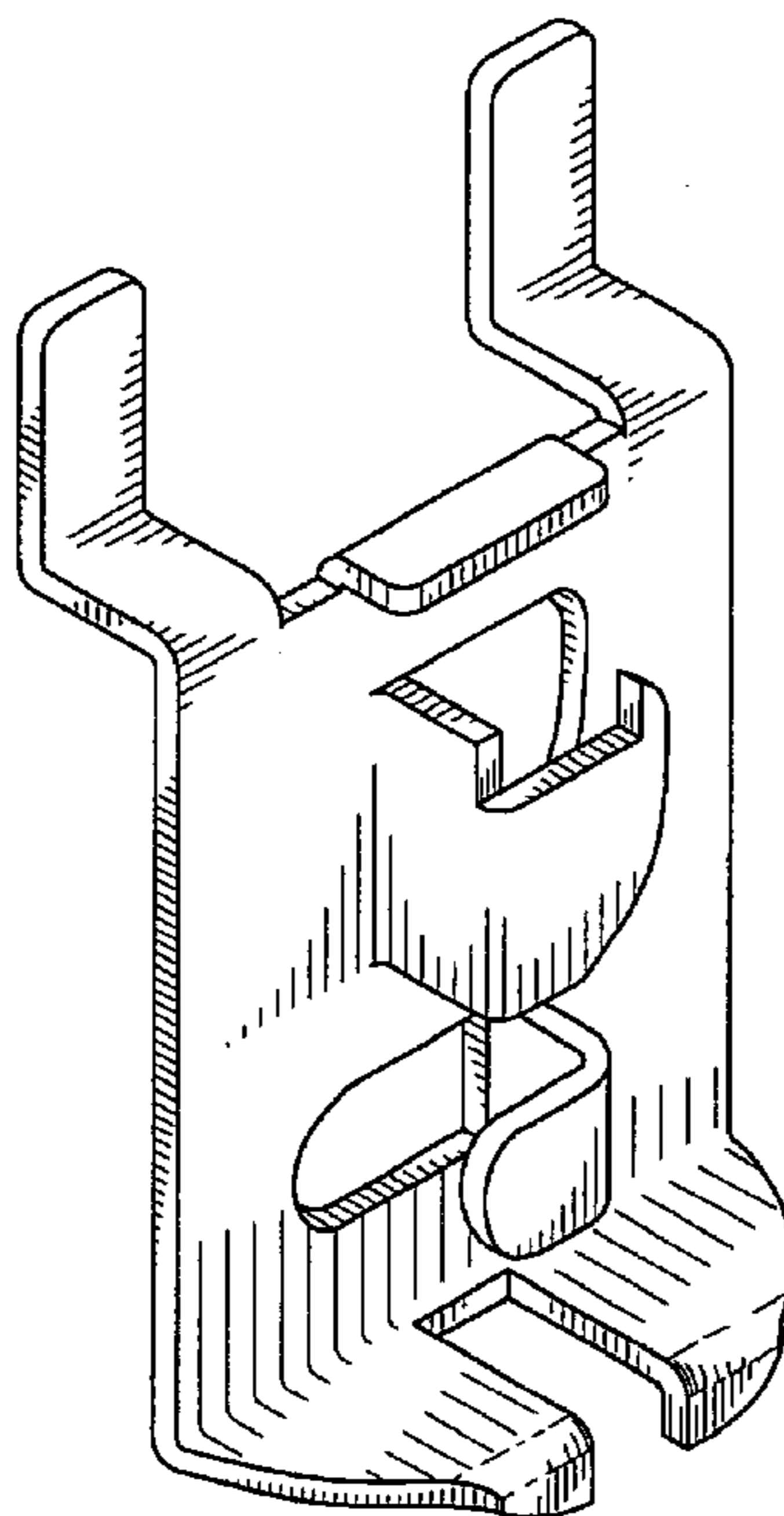


FIG. 1

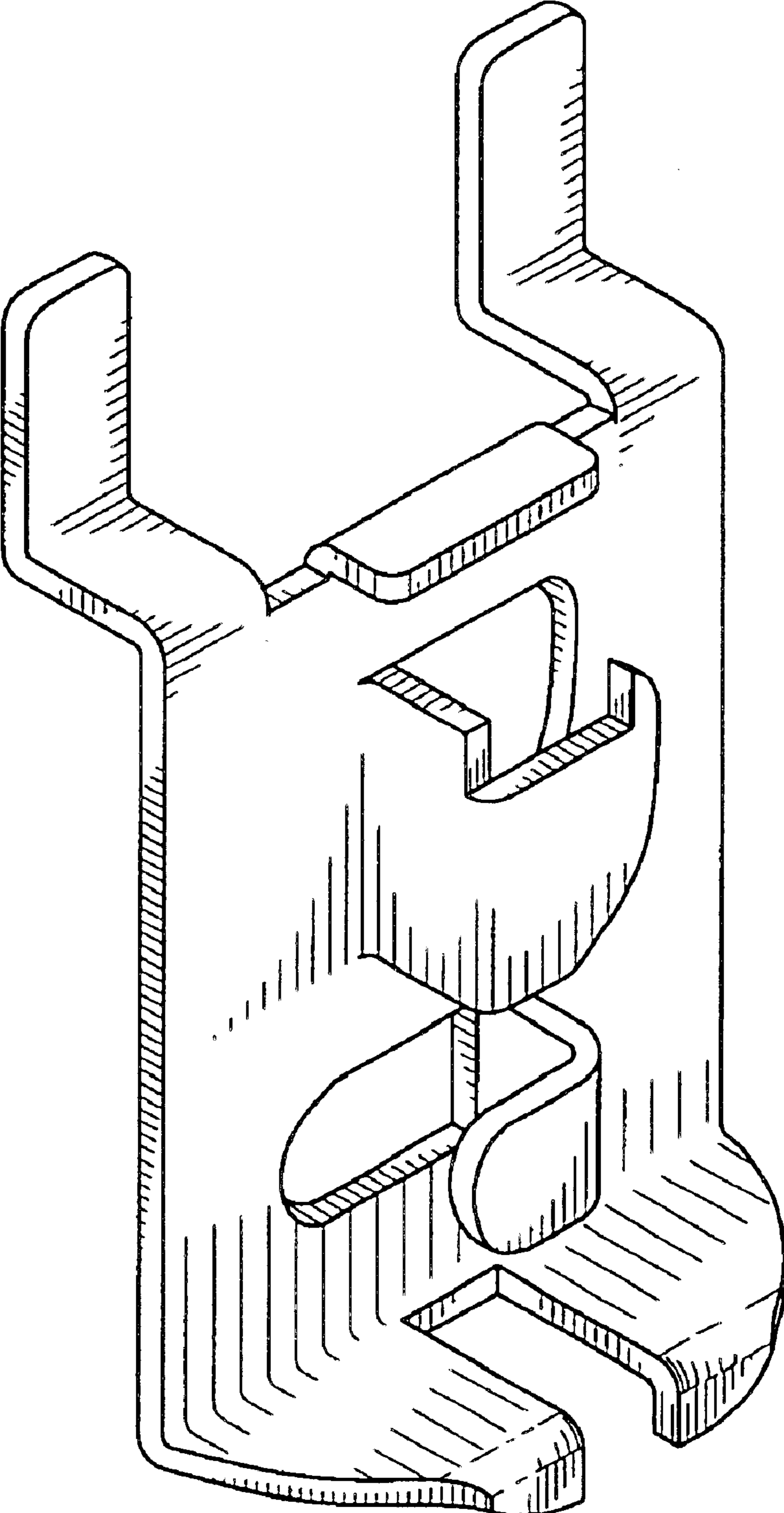


FIG. 2

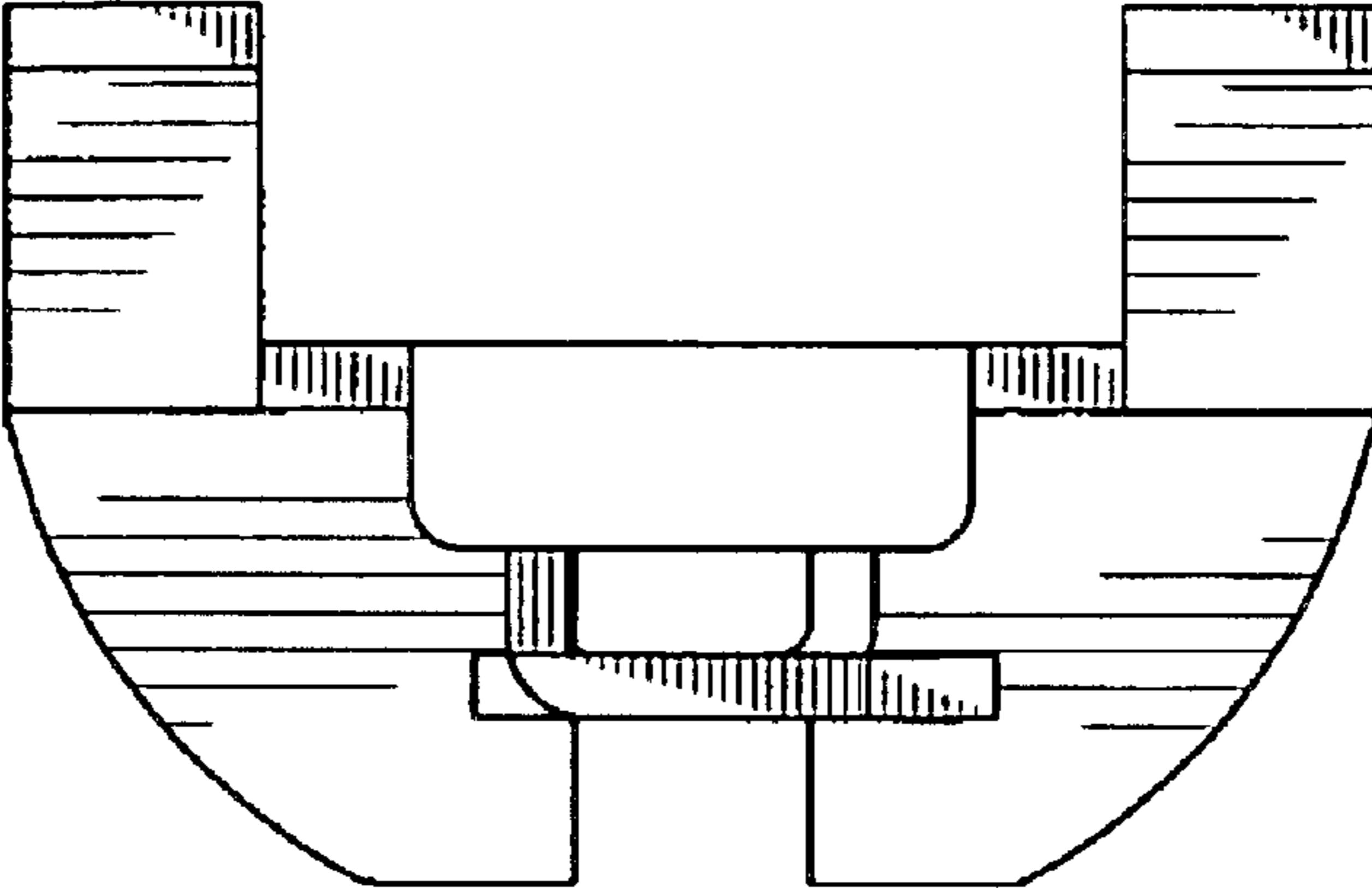


FIG. 3

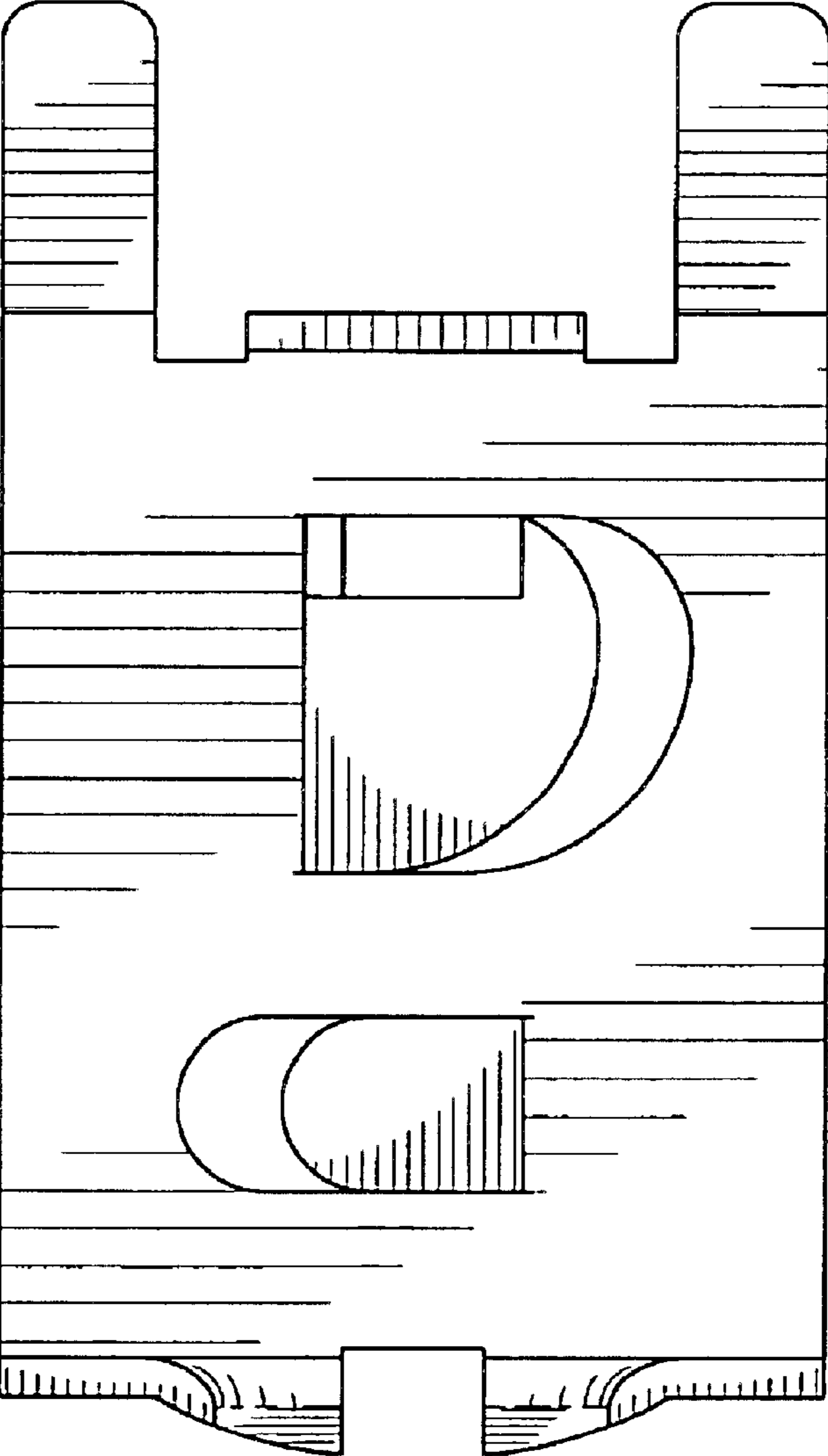


FIG. 4

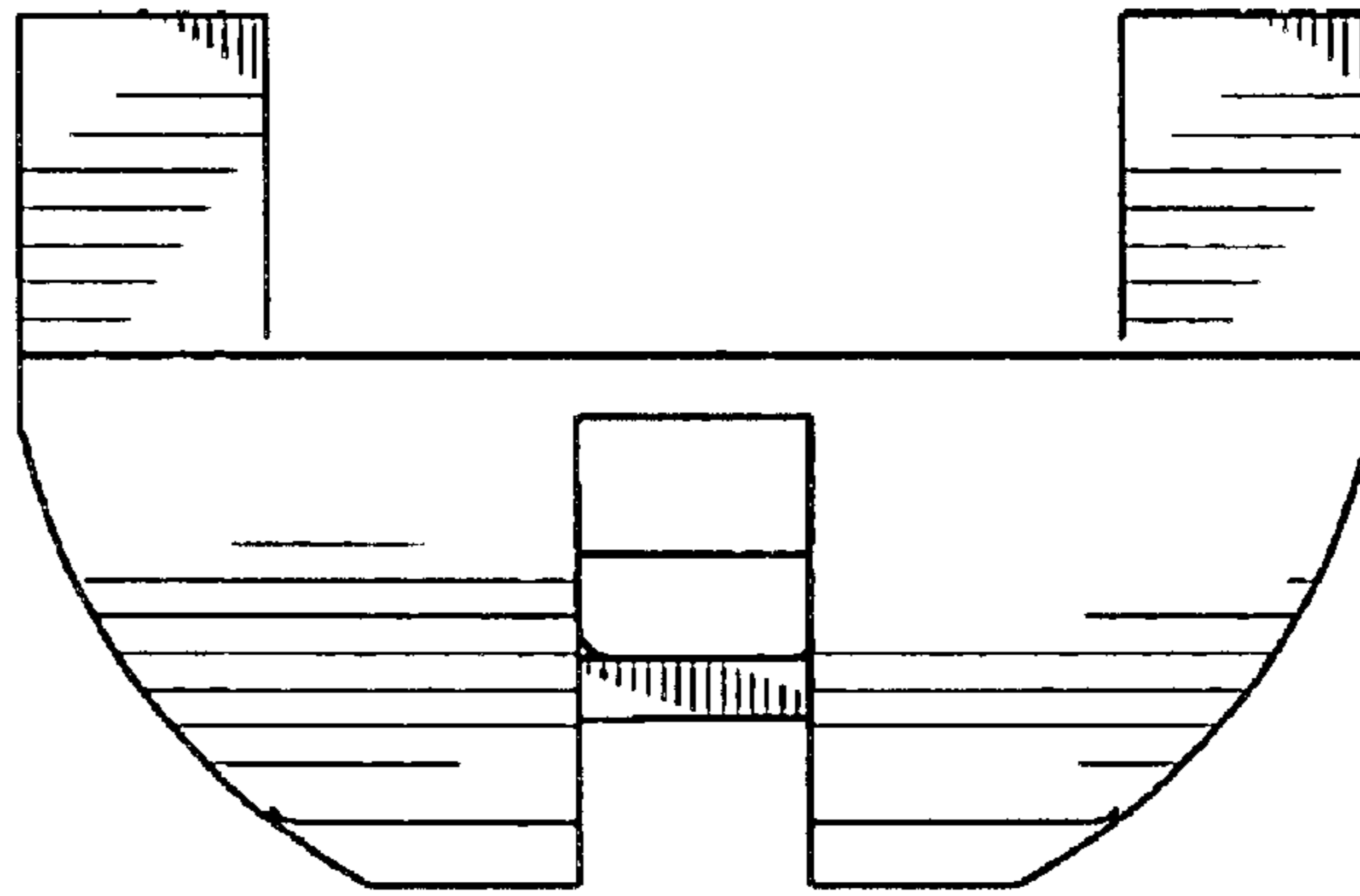


FIG. 5

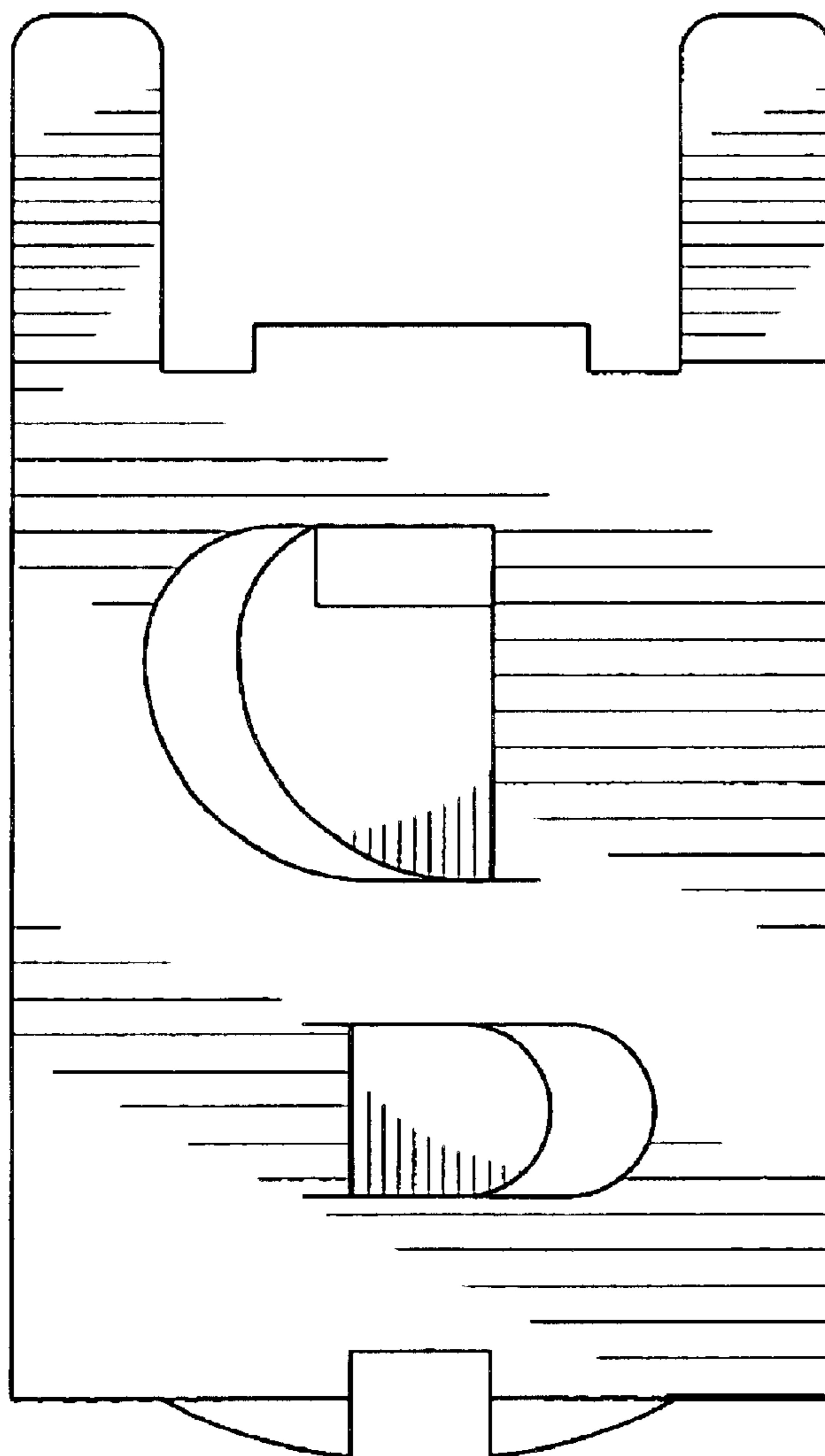


FIG. 6

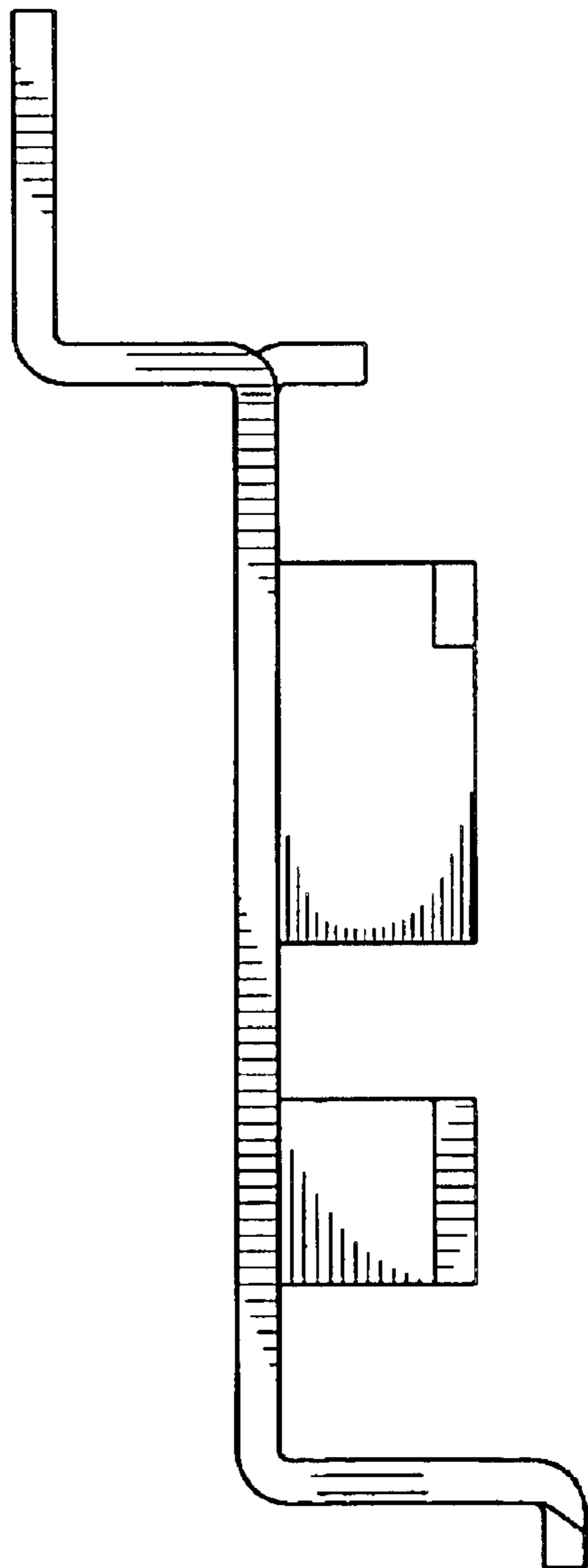


FIG. 7

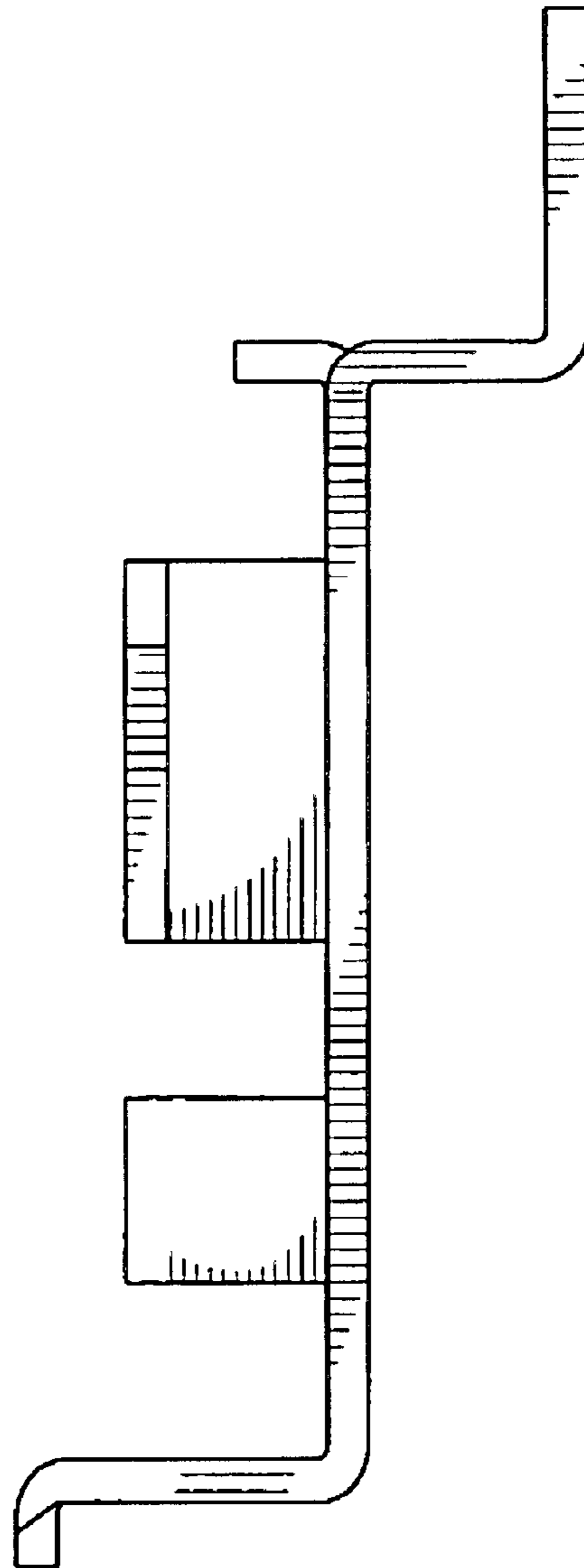


FIG. 8

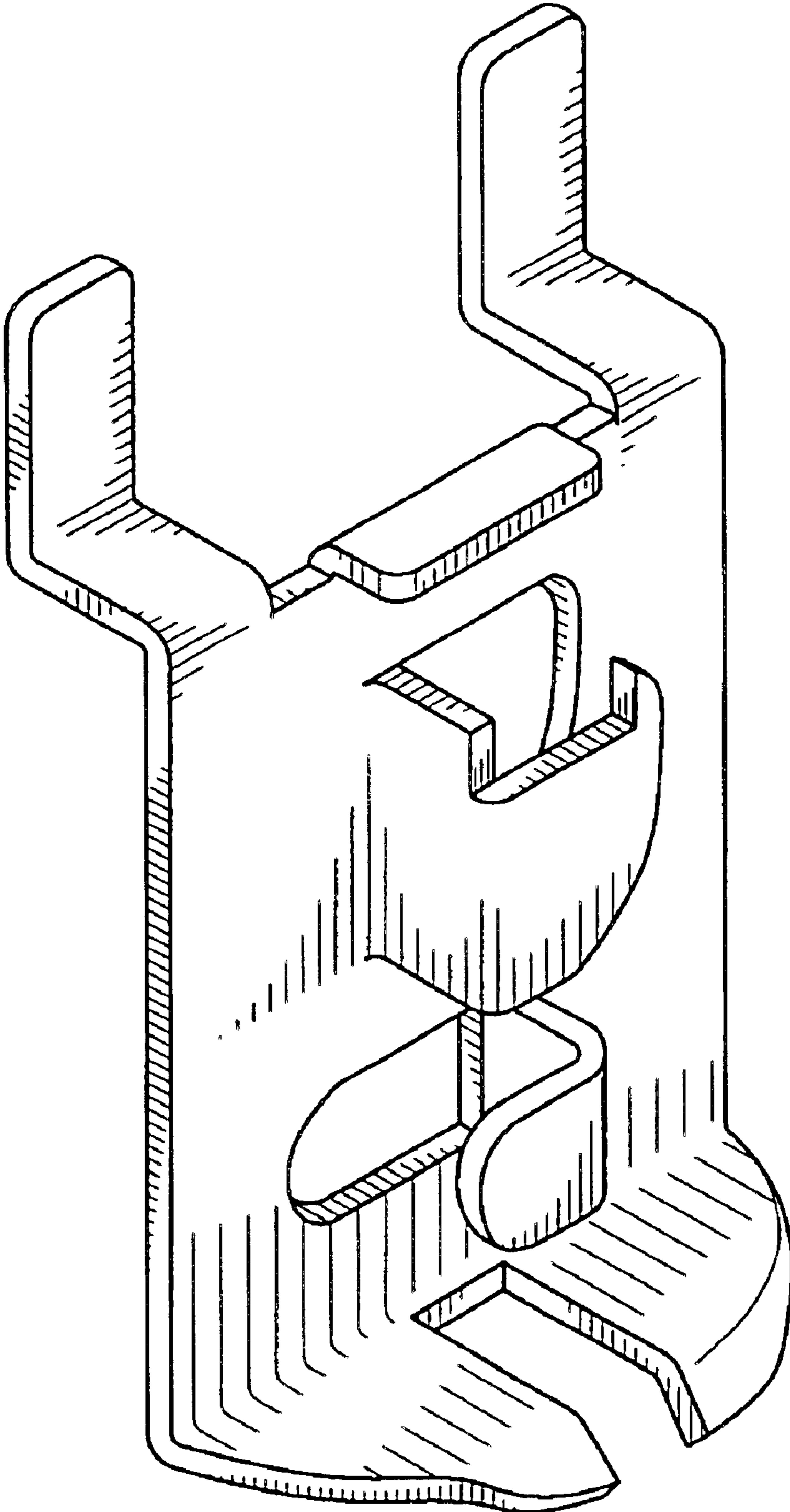


FIG. 9

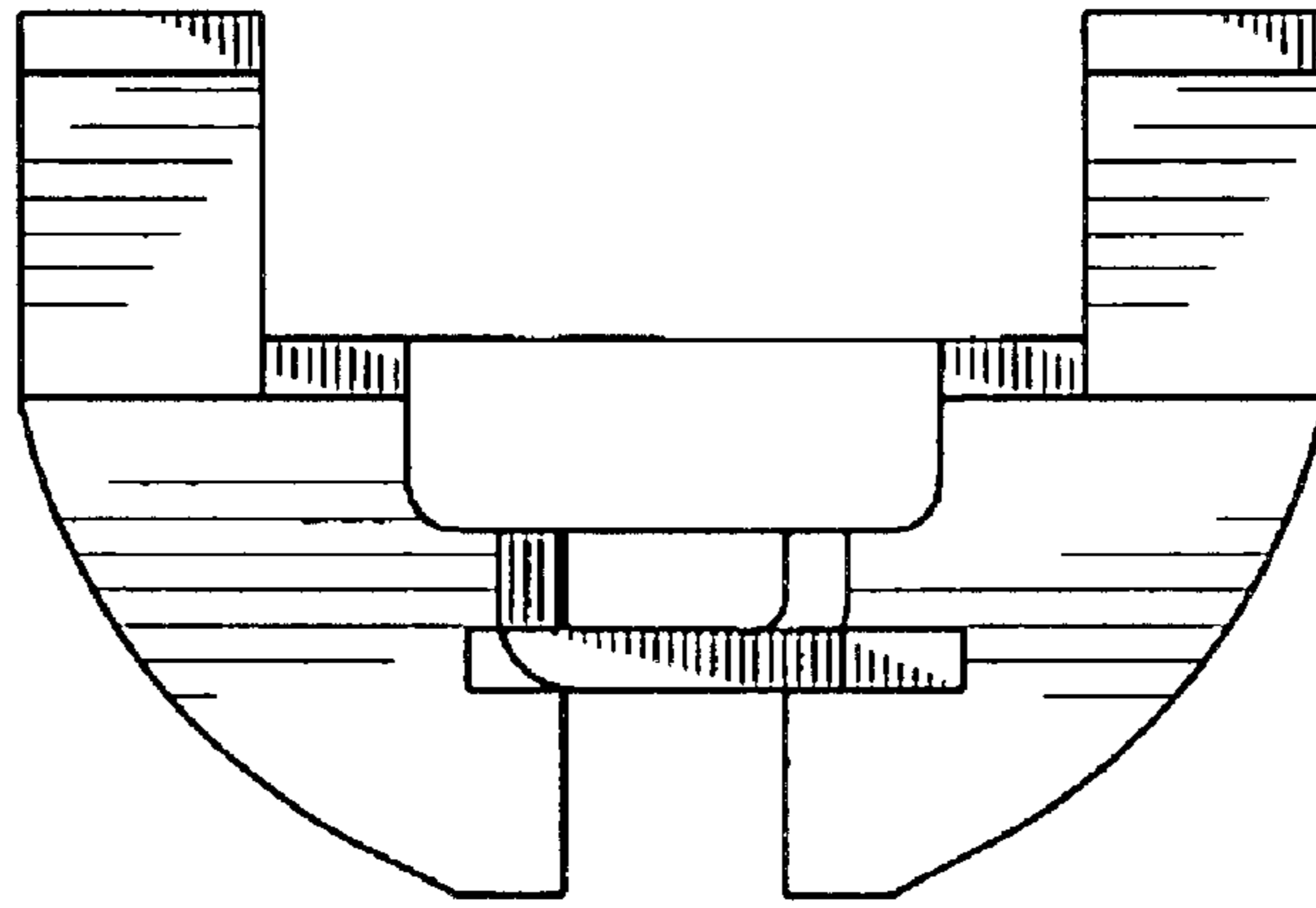


FIG. 10

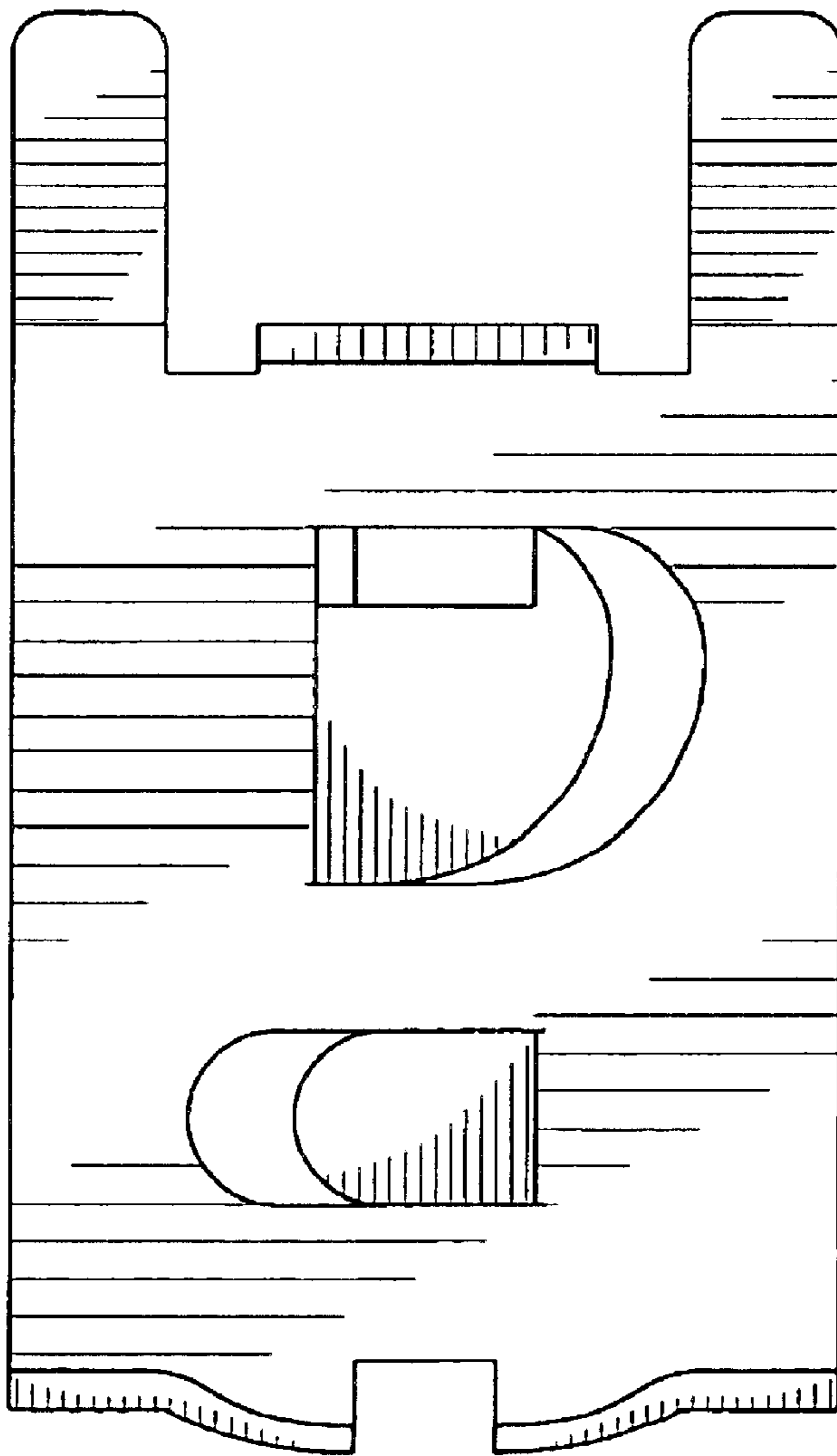


FIG. 11

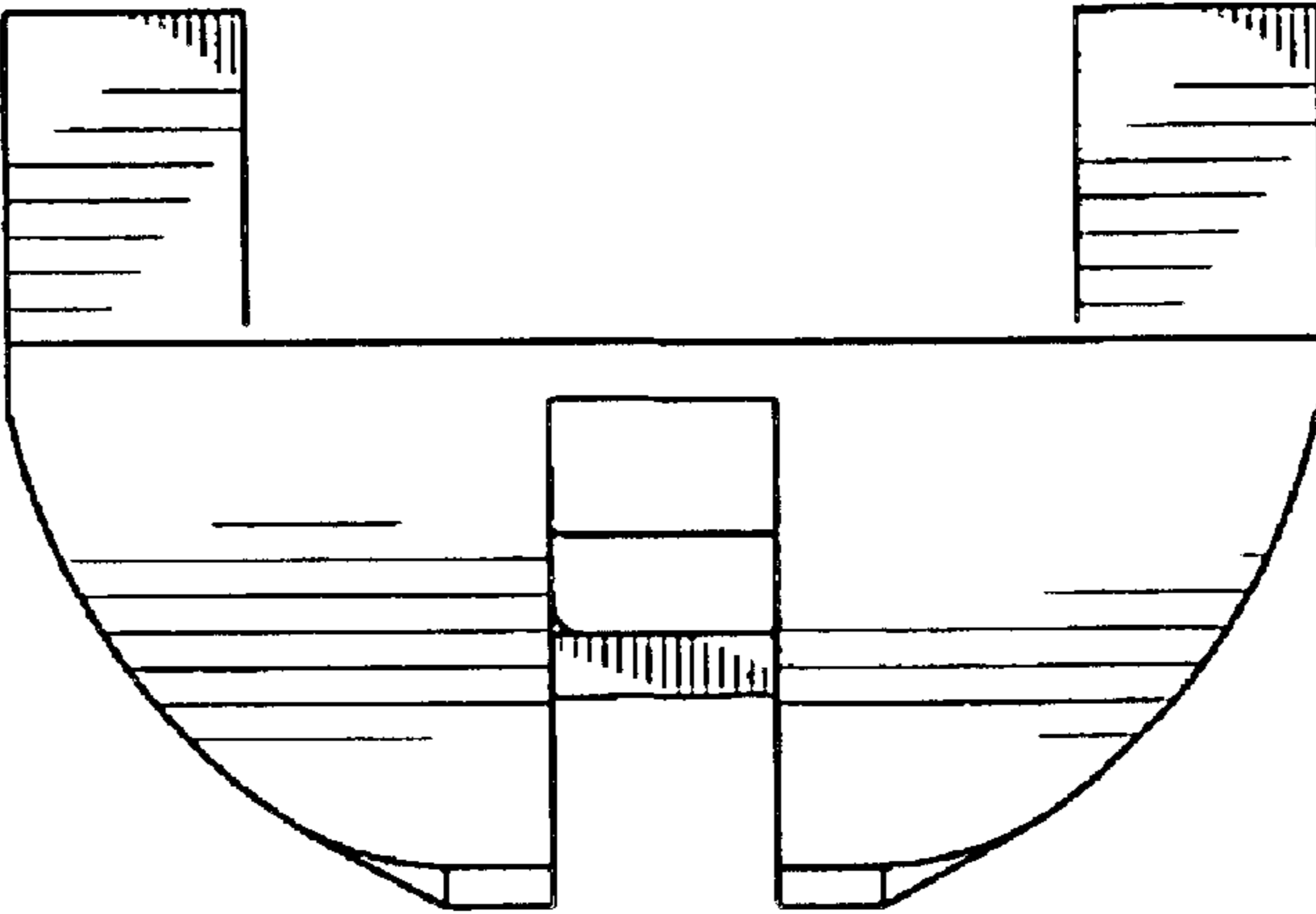


FIG. 12

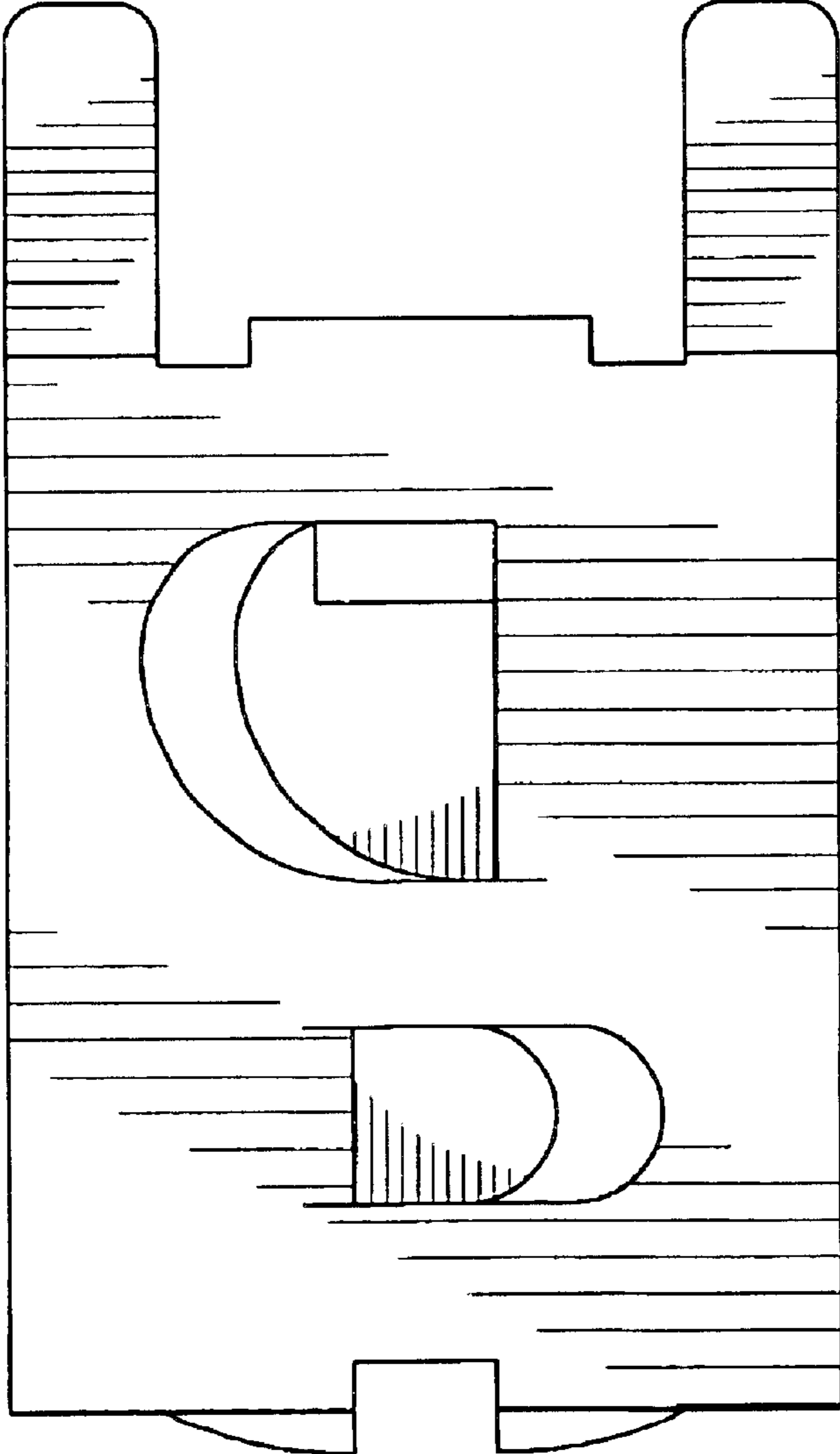


FIG. 13

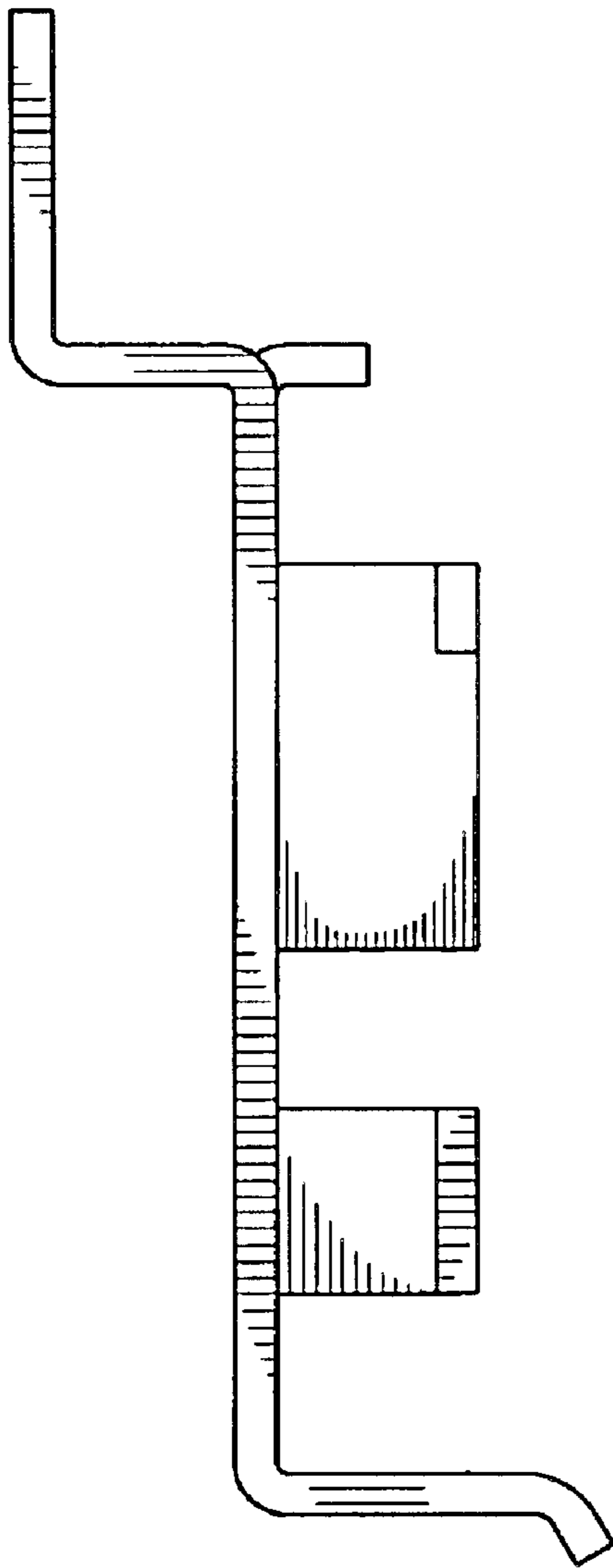


FIG. 14

