



US00D502387S

(12) **United States Design Patent**  
**Hyakkoku**

(10) **Patent No.:** **US D502,387 S**  
(45) **Date of Patent:** **\*\* Mar. 1, 2005**

(54) **DOOR SUPPORTING DEVICE**

(75) Inventor: **Yutaka Hyakkoku**, Kanagawa-ken (JP)

(73) Assignee: **Japan Uniflow Col, Ltd.**, Tokyo (JP)

(\*\*) Term: **14 Years**

(21) Appl. No.: **29/161,968**

(22) Filed: **Jun. 10, 2002**

(51) **LOC (7) Cl.** ..... **08-05**

(52) **U.S. Cl.** ..... **D8/354**

(58) **Field of Search** ..... D8/349, 354, 363,  
D8/366, 371, 373, 376, 377, 380, 400;  
D25/49; 16/94 R, 95 R, 235, 249, 333,  
344, DIG. 34, DIG. 40; 160/196.1, 199,  
206; 248/200, 240, 291.1, 292.11, 298.1

(56) **References Cited**

**U.S. PATENT DOCUMENTS**

3,861,104 A *	1/1975	Bower	52/713
5,133,109 A *	7/1992	Mariani	16/238
5,174,675 A *	12/1992	Martin	403/408.1
D337,042 S *	7/1993	Lin et al.	D8/349
5,398,902 A *	3/1995	Crowe	16/94 R
5,548,869 A *	8/1996	Ryczek	160/203
6,112,371 A *	9/2000	Tremblay	16/235

\* cited by examiner

*Primary Examiner*—Doris V. Coles

*Assistant Examiner*—Elizabeth A. Albert

(74) *Attorney, Agent, or Firm*—Keil & Weinkauff

(57) **CLAIM**

The ornamental design for a door supporting device, as shown and described.

**DESCRIPTION**

FIG. 1 is a front view of the door supporting device;  
FIG. 2 is a rear view of the door supporting device of FIG. 1;

FIG. 3 is a right side view of the door supporting device of FIG. 1;

FIG. 4 is a left side view of the door supporting device of FIG. 1;

FIG. 5 is a top plan view of the door supporting device of FIG. 1;

FIG. 6 is a bottom plan view of the door supporting device of FIG. 1;

FIG. 7 is a longitudinal sectional view of the door supporting device taken along line 7—7 in FIG. 1;

FIG. 8 is an enlarged cross sectional view of the door supporting device taken along line 8—8 in FIG. 1;

FIG. 9 is an enlarged cross sectional view of the door supporting device taken along line 9—9 in FIG. 1;

FIG. 10 is a front view of the door supporting device of FIG. 1, with the adjusting plate having been rotated clockwise;

FIG. 11 is a front view of the door supporting device of FIG. 1, with the adjusting plate having been rotated counterclockwise;

FIG. 12 is a front view of the door supporting device of FIG. 1, with the stopper having been rotated;

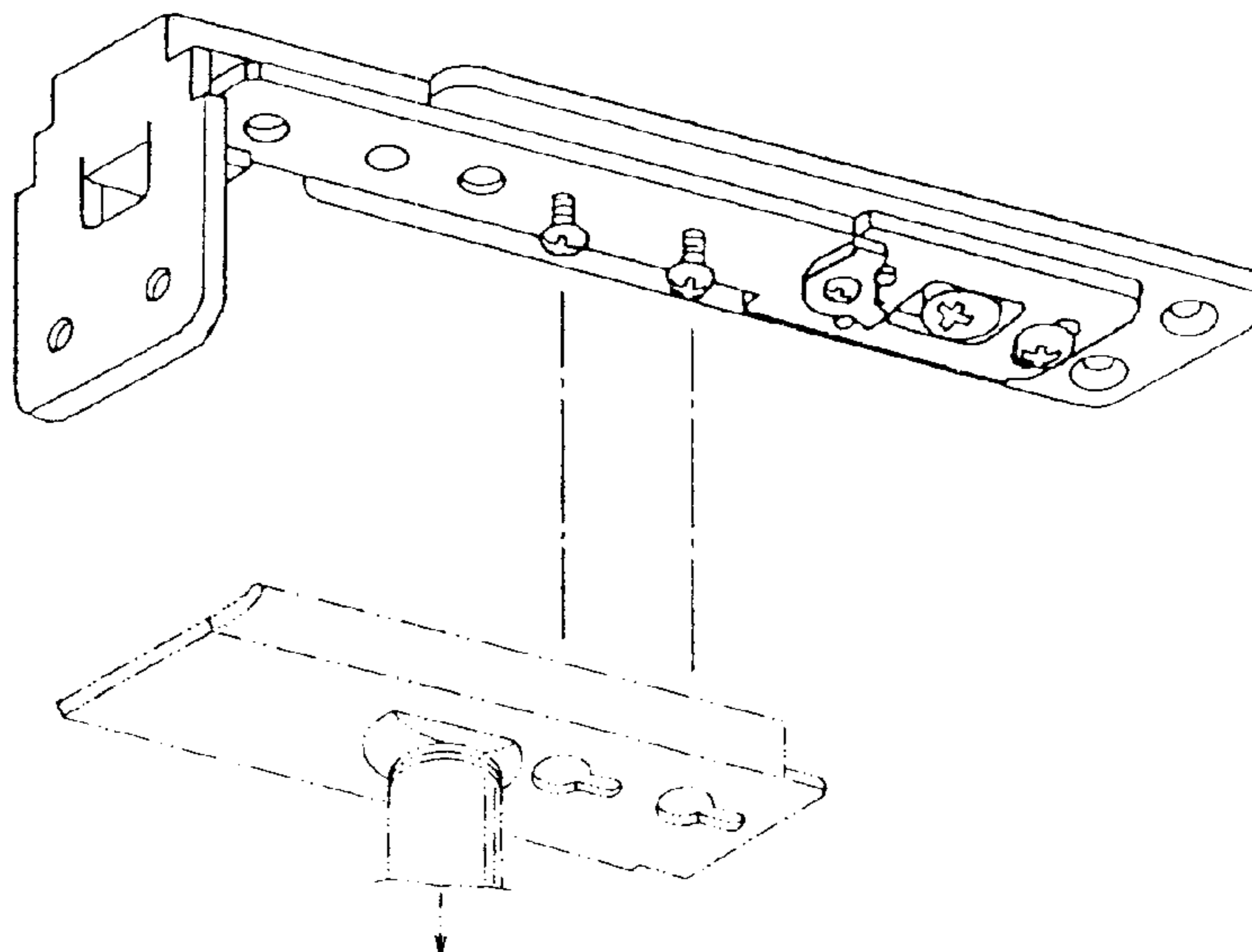
FIG. 13 is a top plan view of the door supporting device of FIG. 1 in position of use shown on a reduced scale;

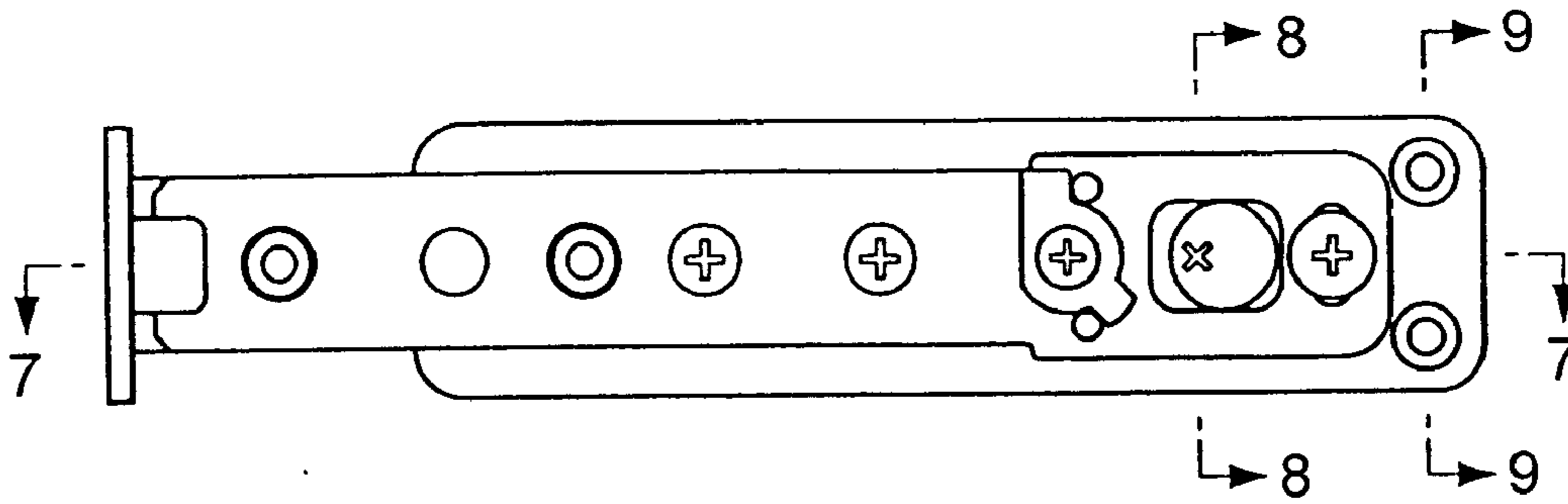
FIG. 14 is a right side view of FIG. 13; and,

FIG. 15 is a perspective view of the door supporting device of FIG. 1.

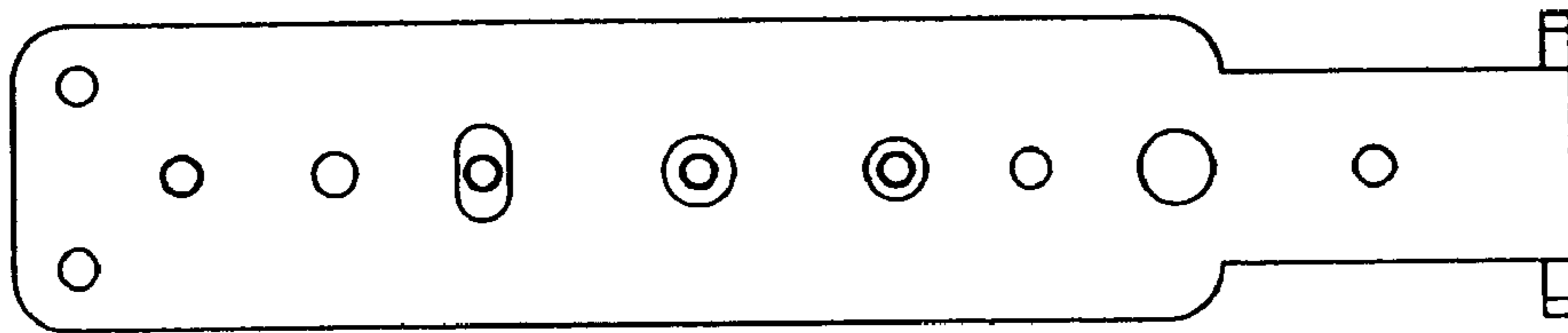
The broken lines showing environment in the drawings are for illustrative purposes only and form no part of the claimed design.

**1 Claim, 5 Drawing Sheets**

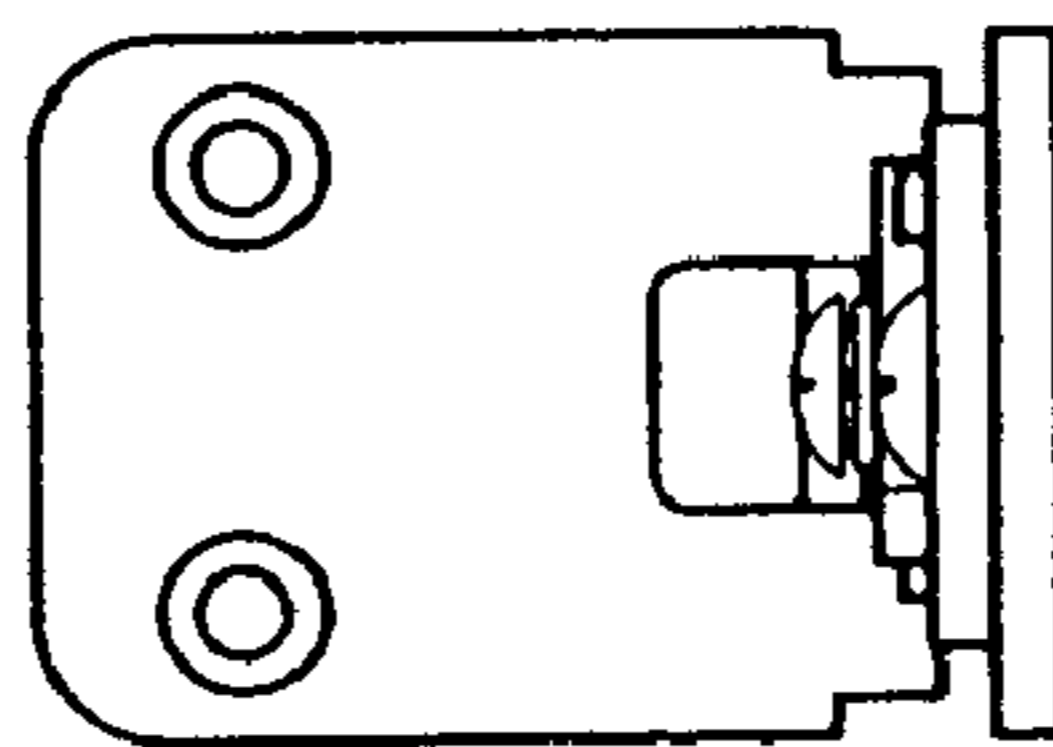




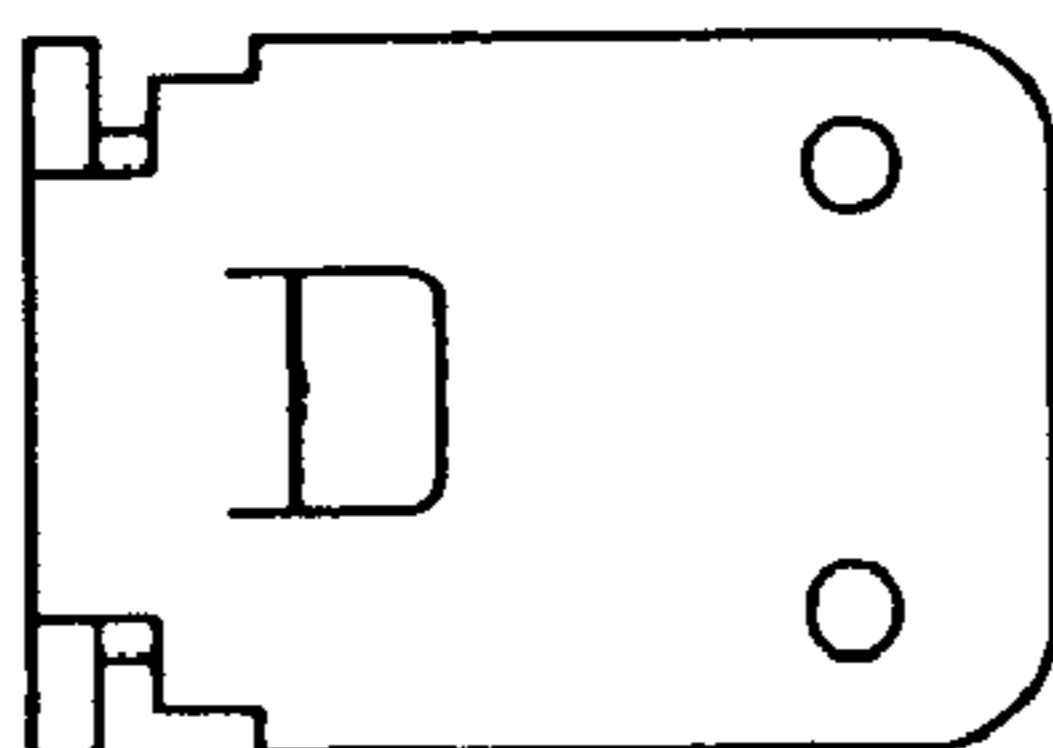
**FIG. 1**



**FIG. 2**



**FIG. 3**



**FIG. 4**

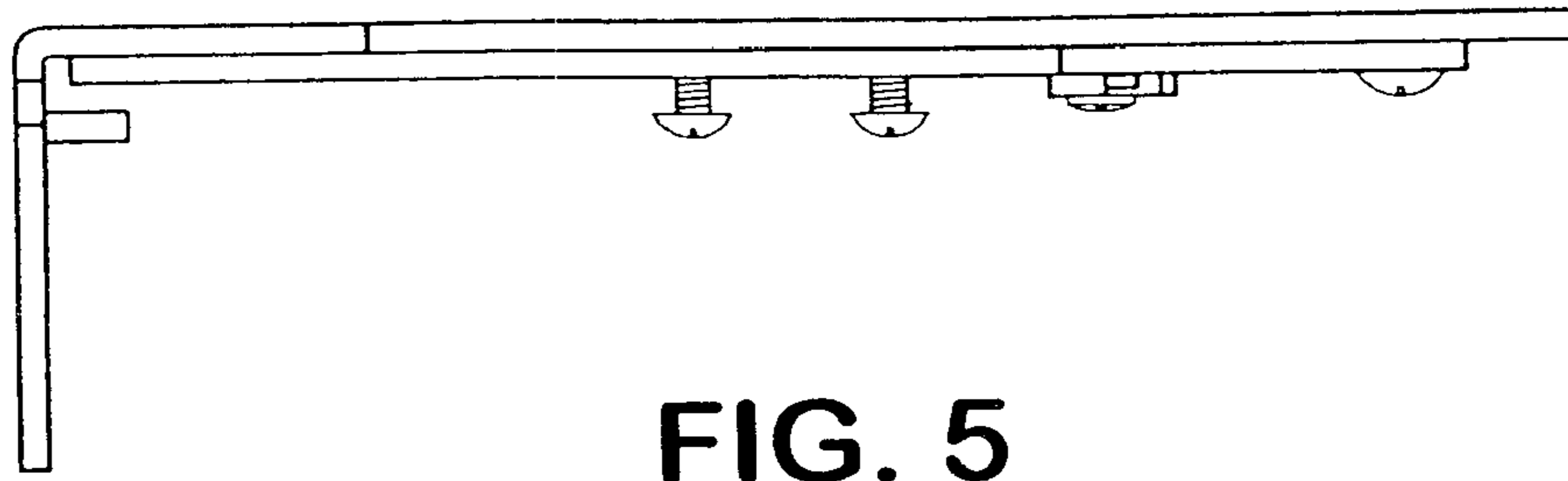


FIG. 5

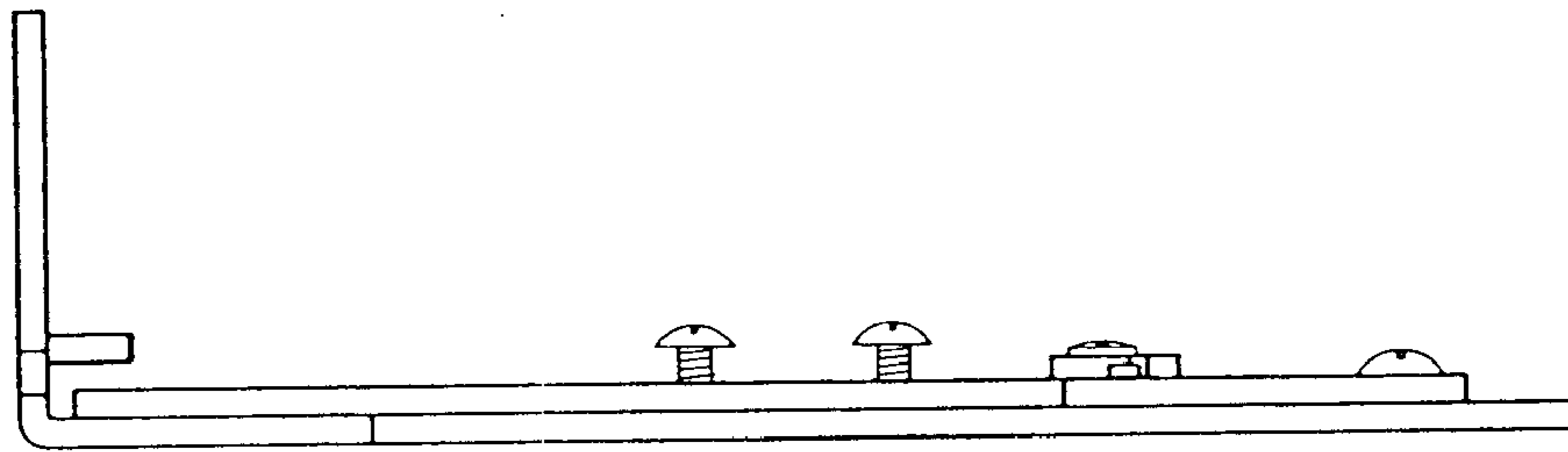


FIG. 6

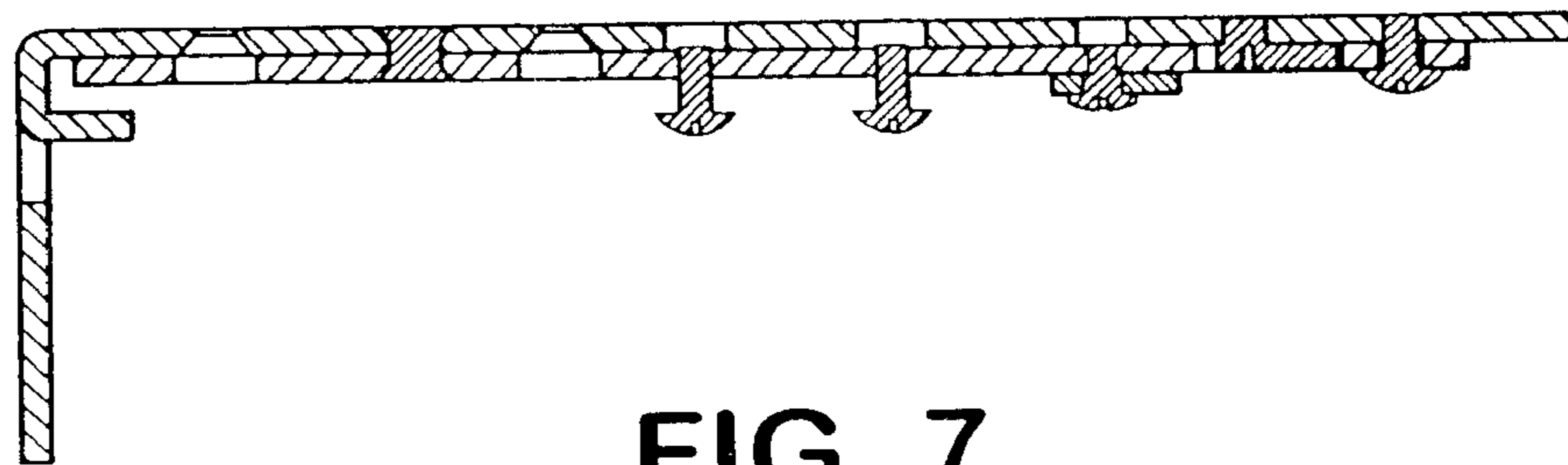


FIG. 7

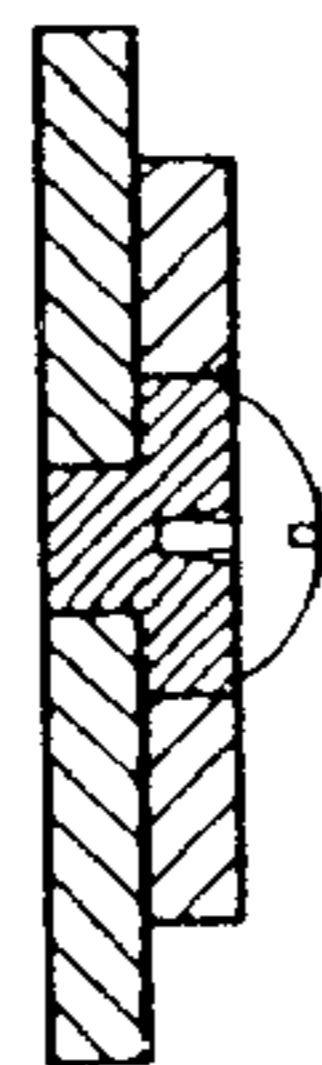


FIG. 8



FIG. 9

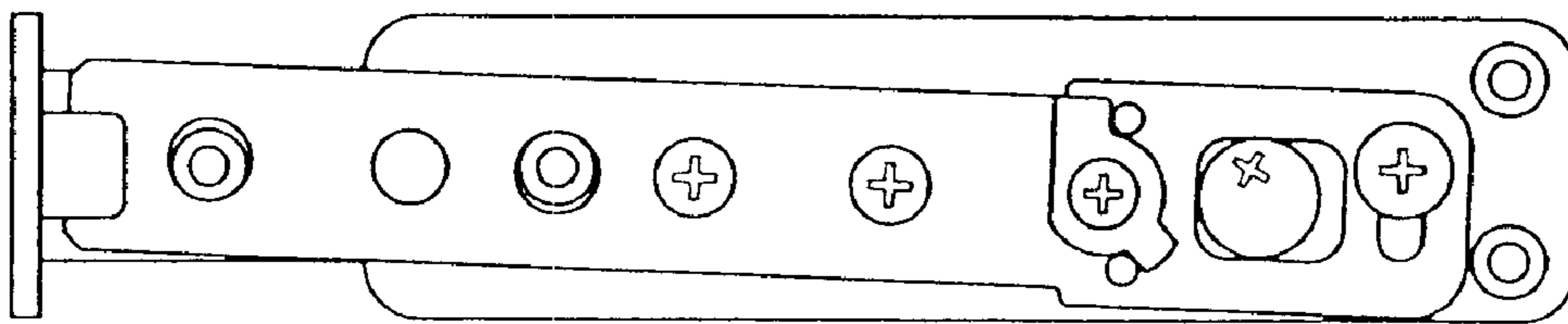


FIG. 10

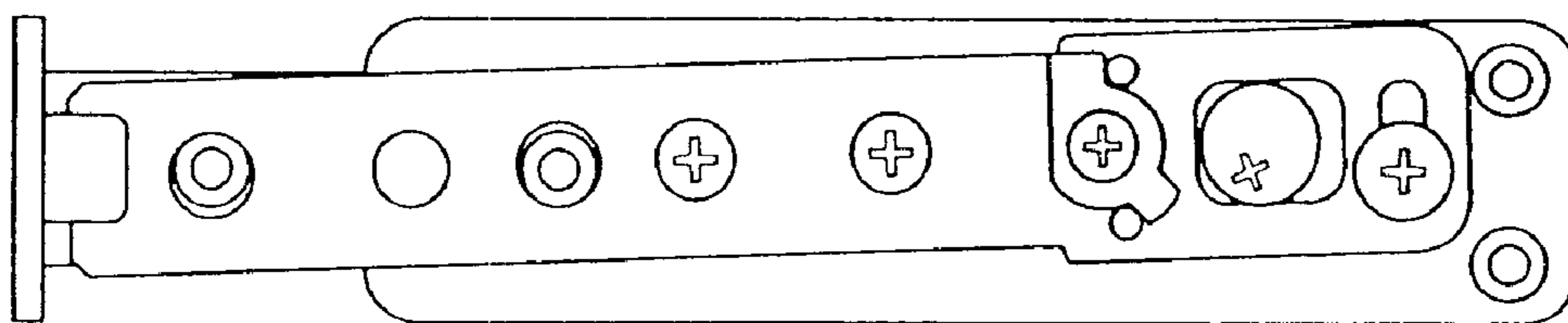


FIG. 11

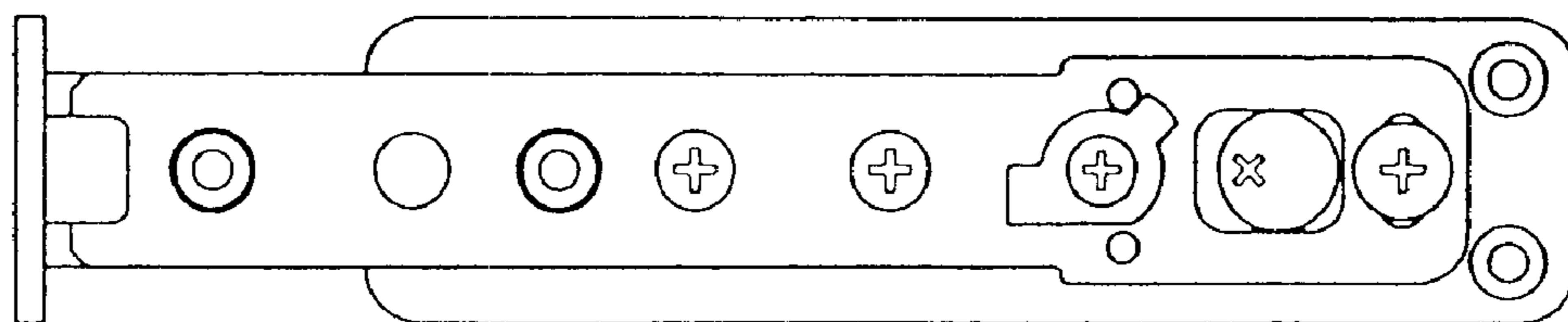


FIG. 12

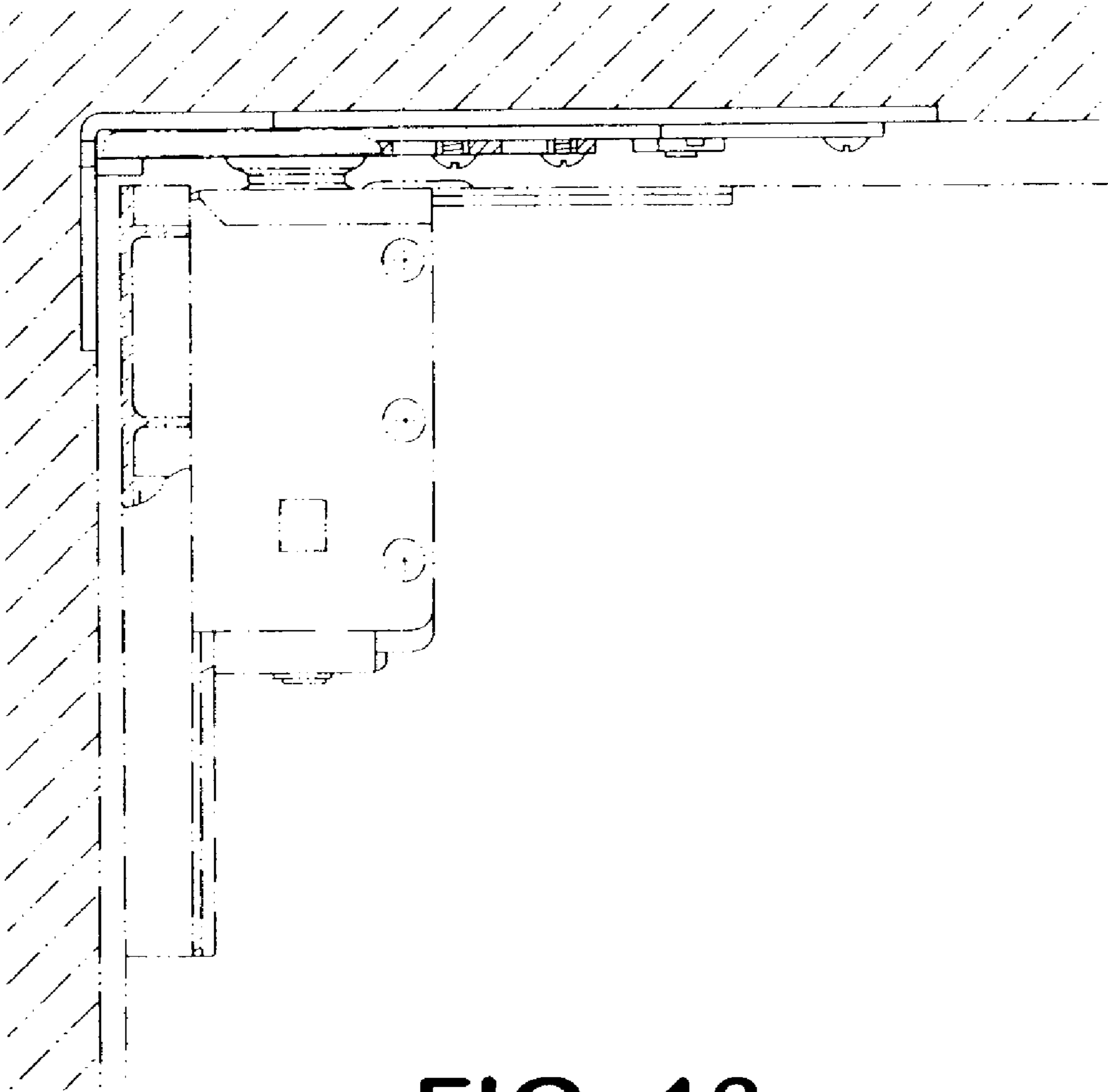


FIG. 13

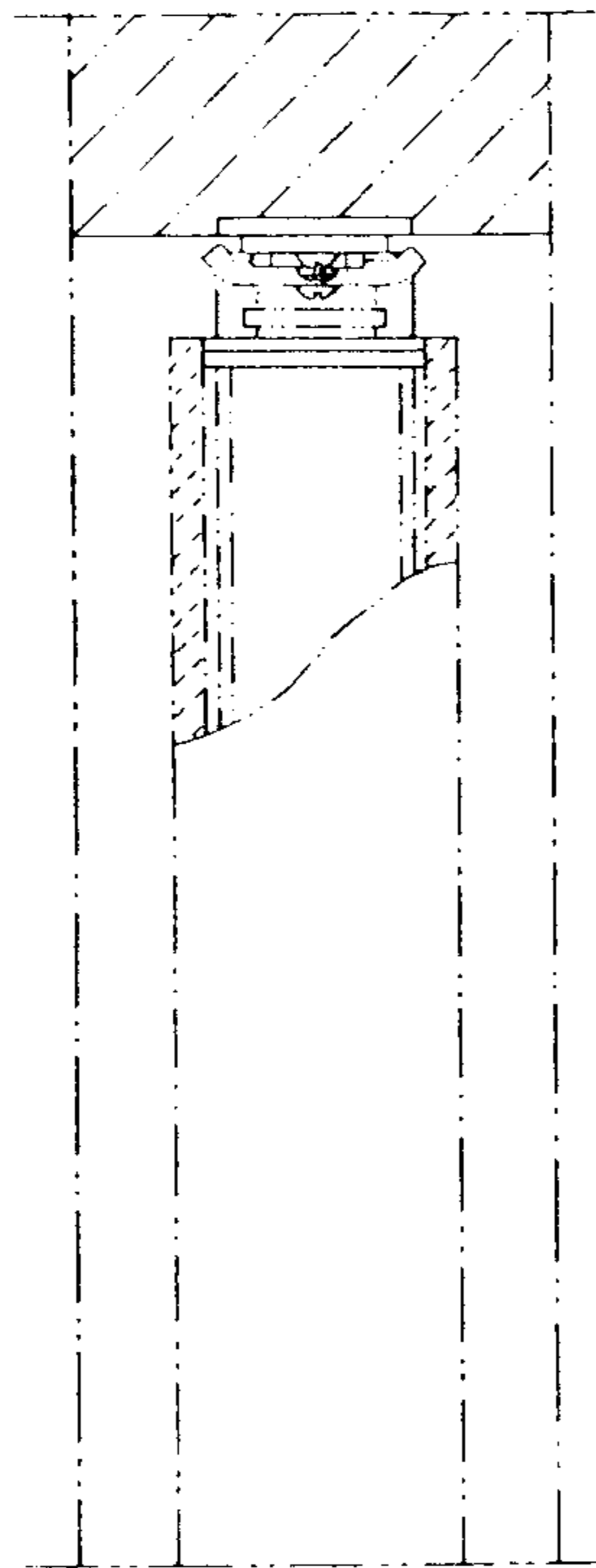


FIG. 14

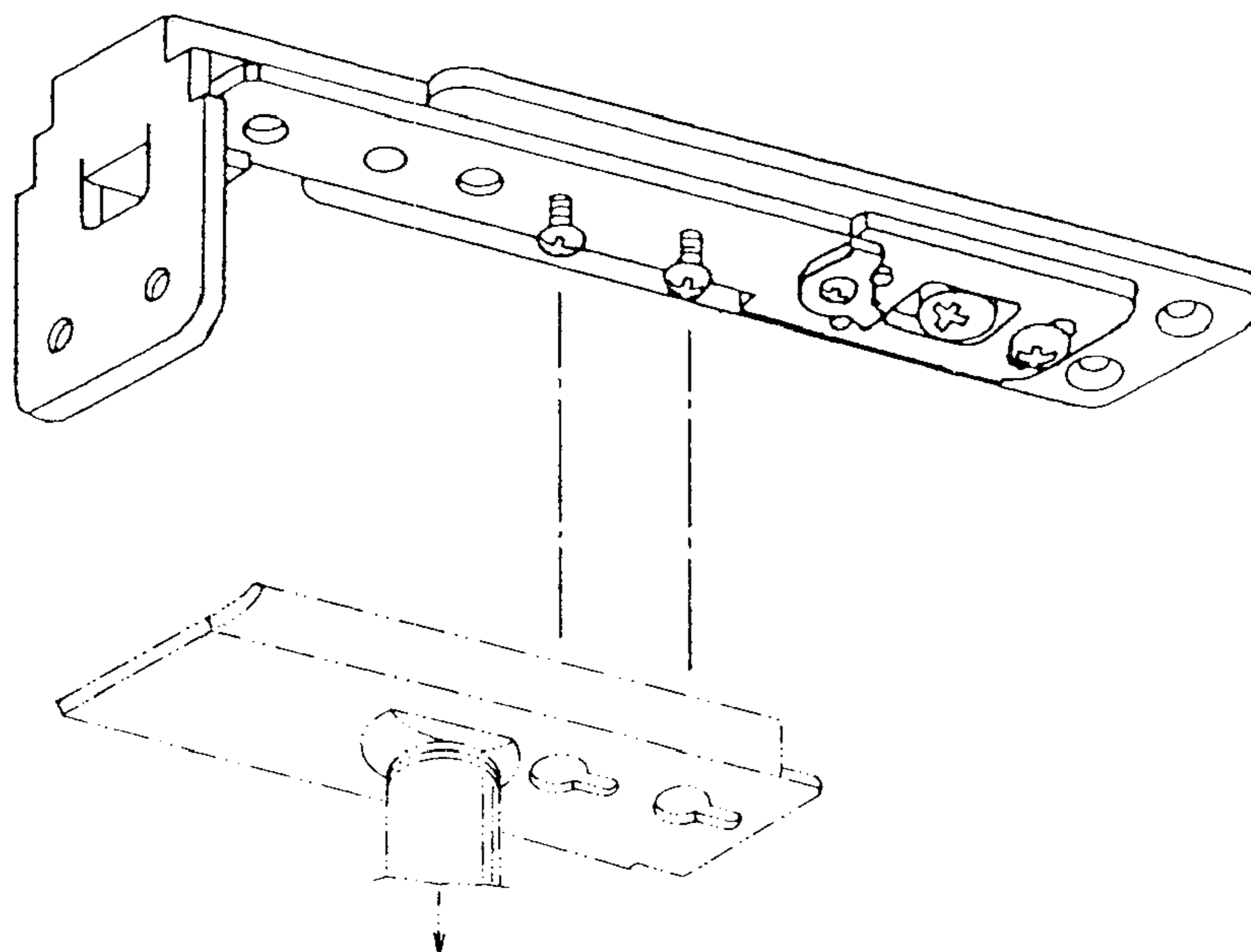


FIG. 15