



US00D502386S

(12) **United States Design Patent**  
**Provenzano et al.**

(10) **Patent No.:** **US D502,386 S**  
(45) **Date of Patent:** **\*\* Mar. 1, 2005**

(54) **FACE PLATE INSERT**

(75) Inventors: **Charles J. Provenzano**, Houston, TX (US); **Hipsum Michael Leung**, Houston, TX (US)

(73) Assignee: **Direct Connect**, Houston, TX (US)

(\*\*) Term: **14 Years**

(21) Appl. No.: **29/202,573**

(22) Filed: **Apr. 1, 2004**

(51) **LOC (7) Cl.** ..... **11-05**

(52) **U.S. Cl.** ..... **D8/350**

(58) **Field of Search** ..... D8/350-353; D6/550, D6/546; D10/108, 109, 123; D13/177, 156; 174/66, 67, 53, 55

(56) **References Cited**

**U.S. PATENT DOCUMENTS**

D126,098 S	*	3/1941	McIntosh	.....	D8/353
2,427,349 A	*	9/1947	Boynton	.....	439/536
D301,333 S	*	5/1989	Bongard et al.	.....	D13/156
D301,336 S	*	5/1989	Copeland	.....	D13/177
D301,872 S	*	6/1989	Copeland	.....	D13/177
D350,278 S	*	9/1994	Figuroa	.....	D8/353
D379,797 S	*	6/1997	Arnett	.....	D13/156
5,664,955 A	*	9/1997	Arnett	.....	439/135

D401,561 S	*	11/1998	Brownell et al.	.....	D13/156
D408,018 S	*	4/1999	McNaughton	.....	D13/177
D430,149 S	*	8/2000	Afshar-Ghochani	.....	D14/240
D450,663 S	*	11/2001	Smith	.....	D13/177

\* cited by examiner

*Primary Examiner*—Stella Reid

*Assistant Examiner*—Mark A. Goodwin

(74) *Attorney, Agent, or Firm*—Conley Bose, P.C.; Mark E. Scott

(57) **CLAIM**

The ornamental design for a face plate insert, as shown and described.

**DESCRIPTION**

FIG. 1 is a front perspective view of a face plate insert showing our new design, in use condition.

FIG. 2 is a front perspective of a face plate insert;

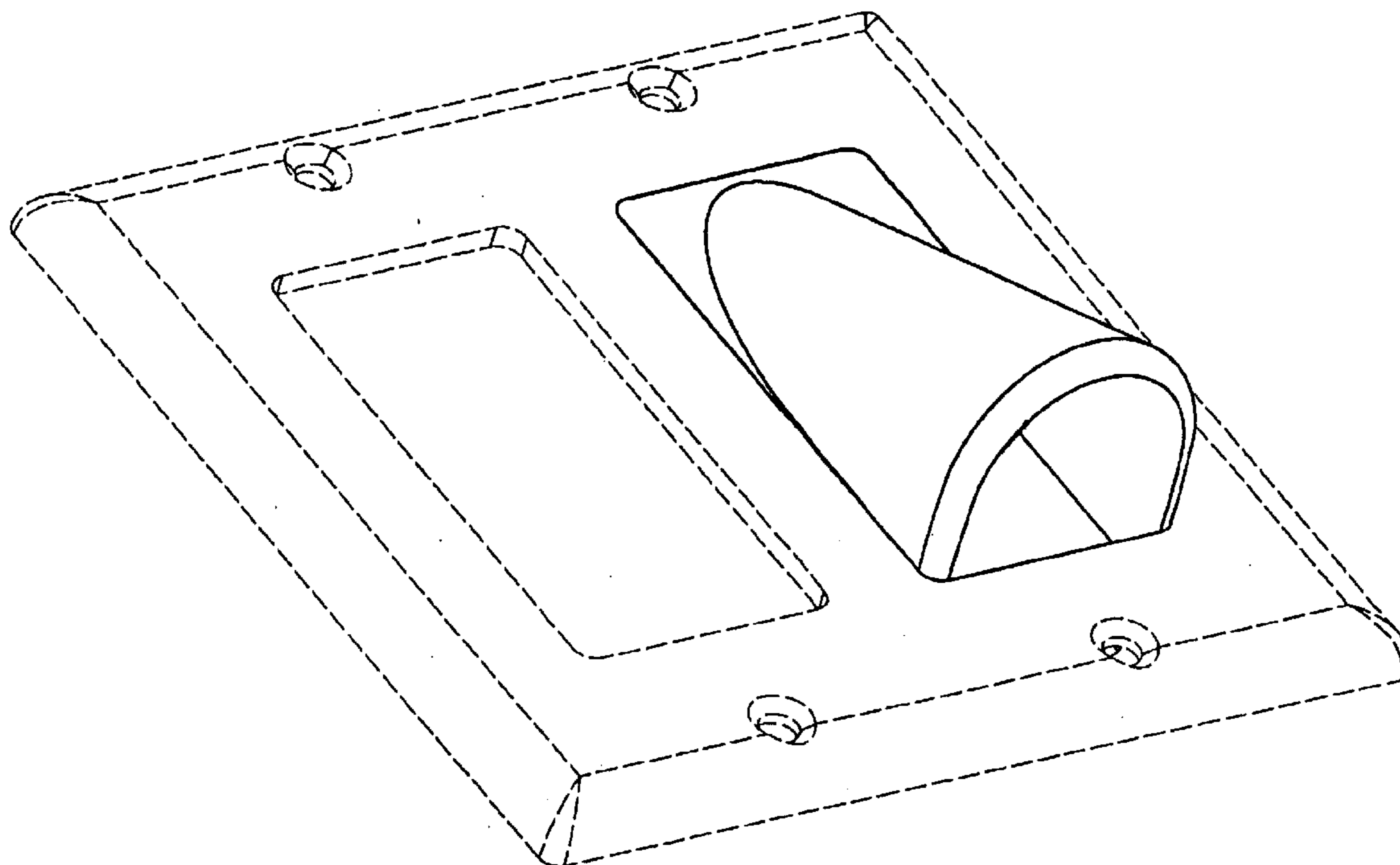
FIG. 3 is a right side elevational view thereof;

FIG. 4 is a top elevational view thereof; and,

FIG. 5 is a bottom elevational view thereof.

The components depicted in broken lines are for illustrative purposes only and form no part of the claimed design. Left side and front views have been omitted and are duplicative of the views presented.

**1 Claim, 5 Drawing Sheets**



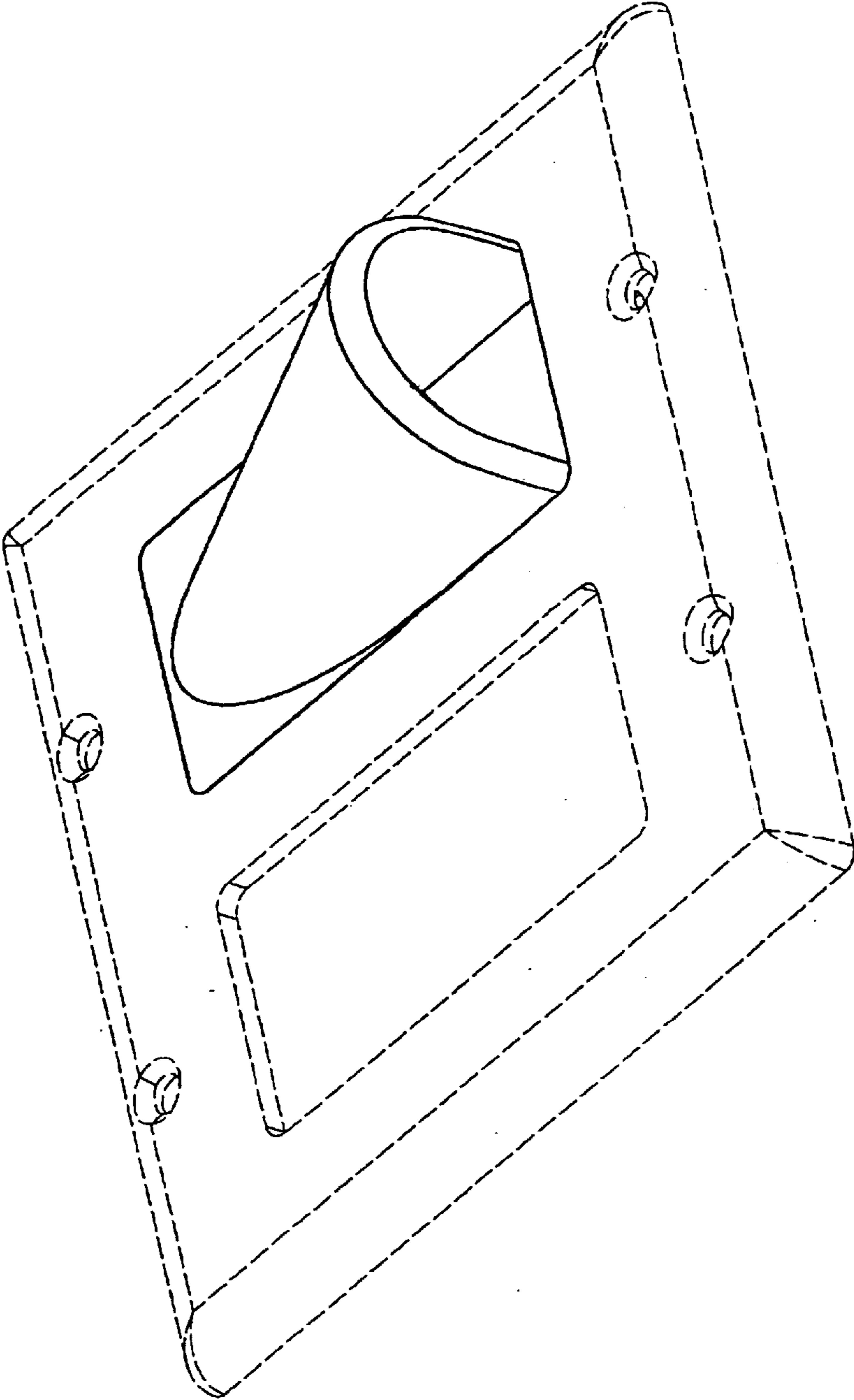
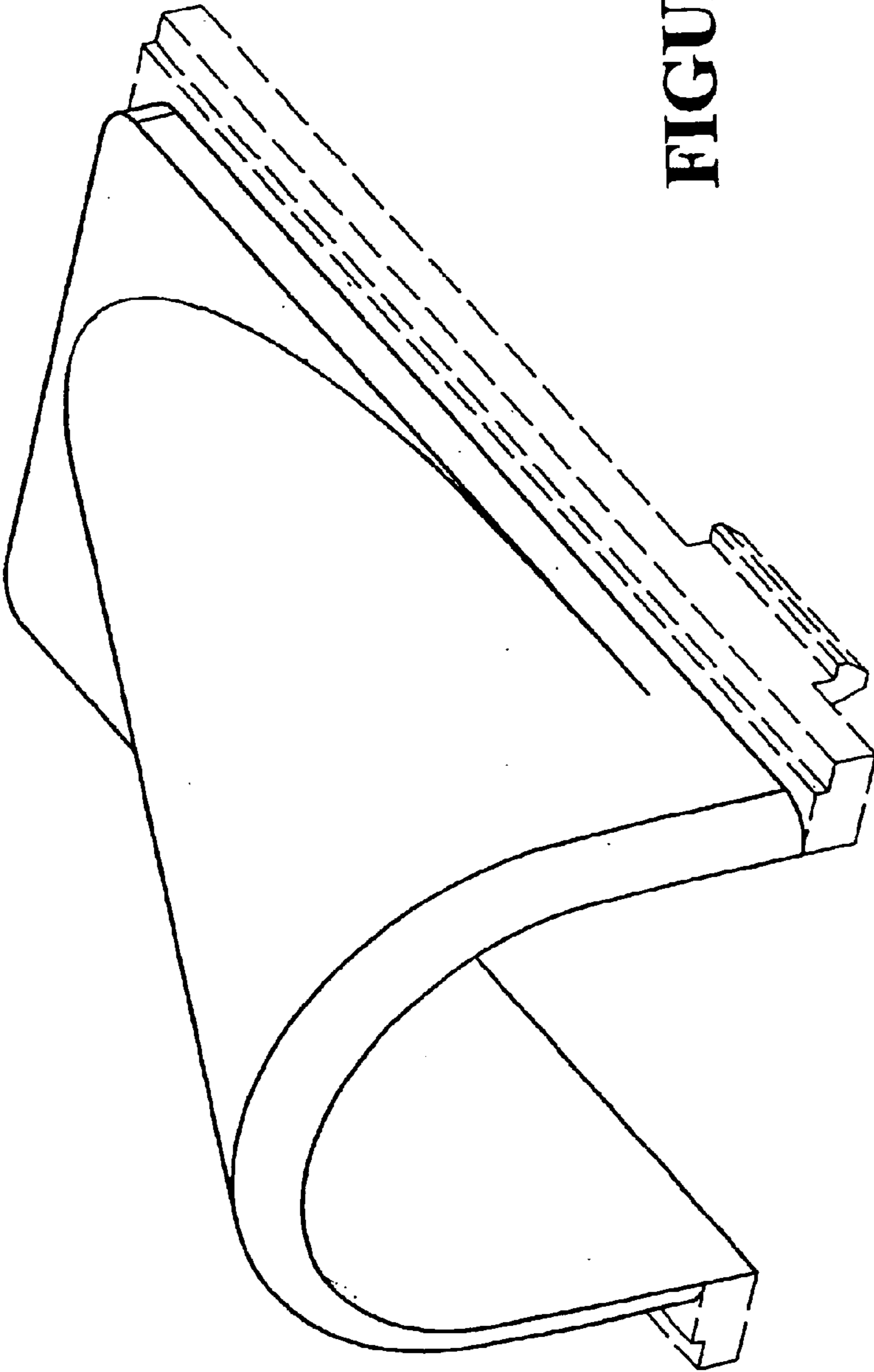


FIGURE 1

FIGURE 2



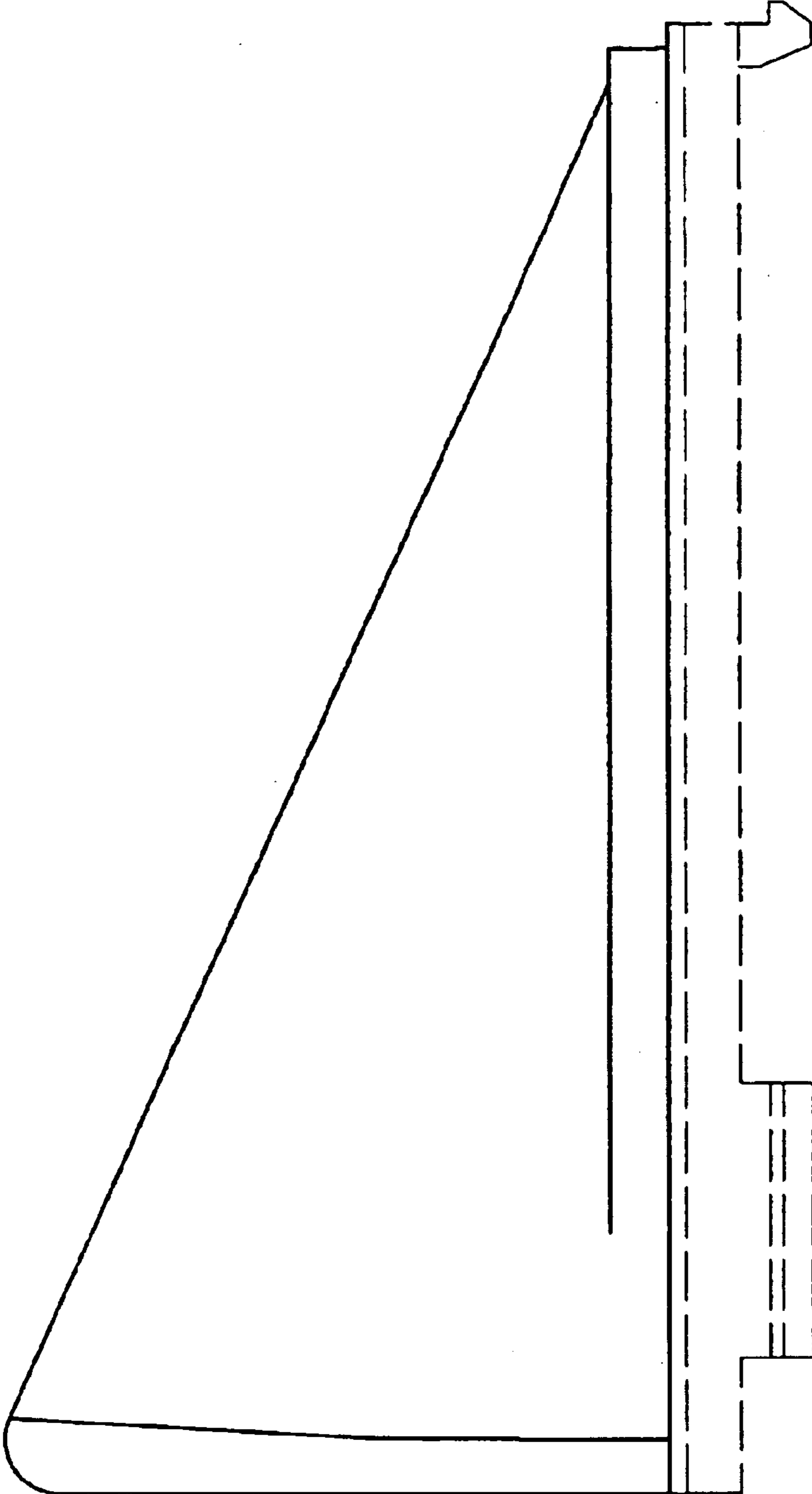


FIGURE 3

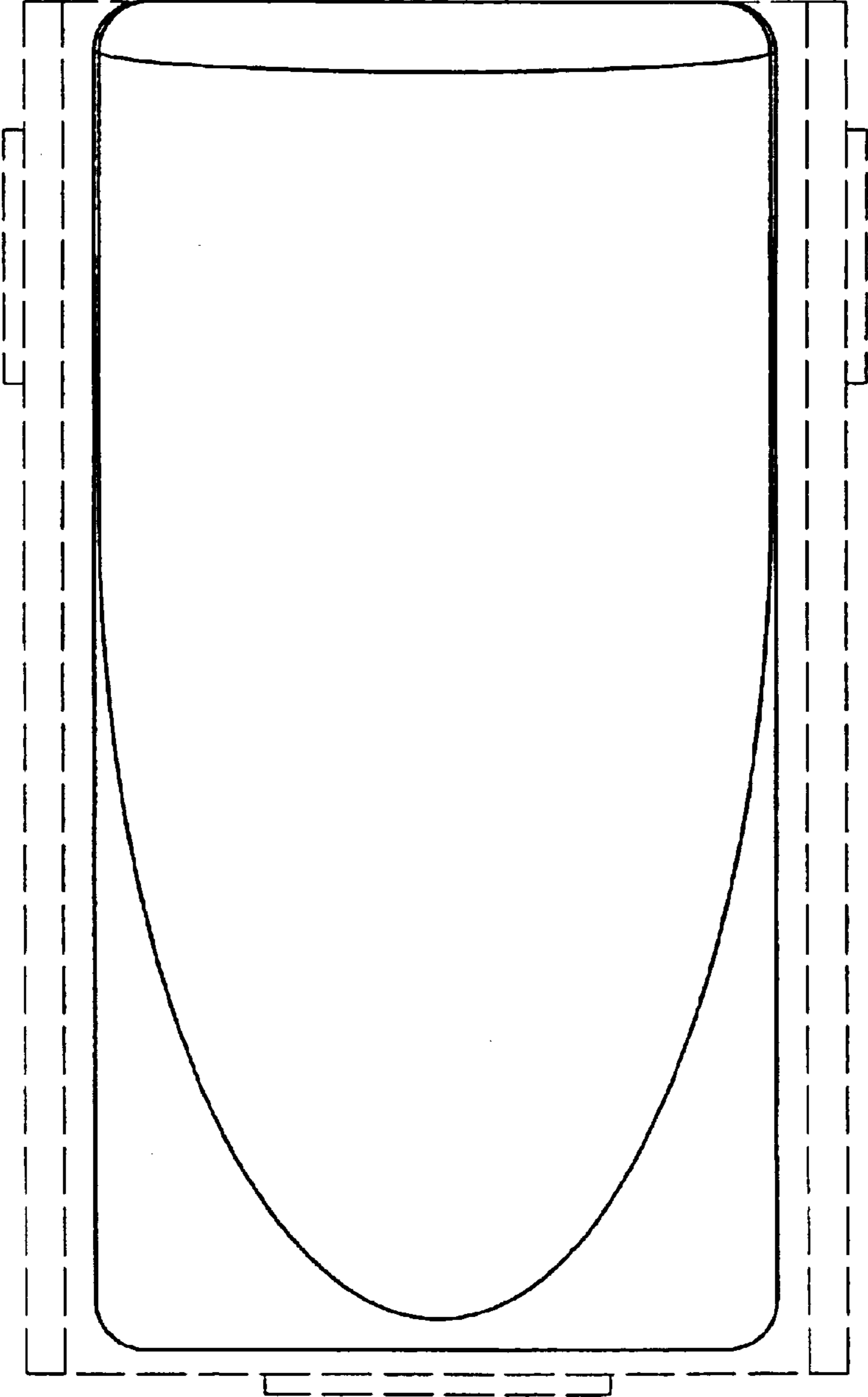


FIGURE 4

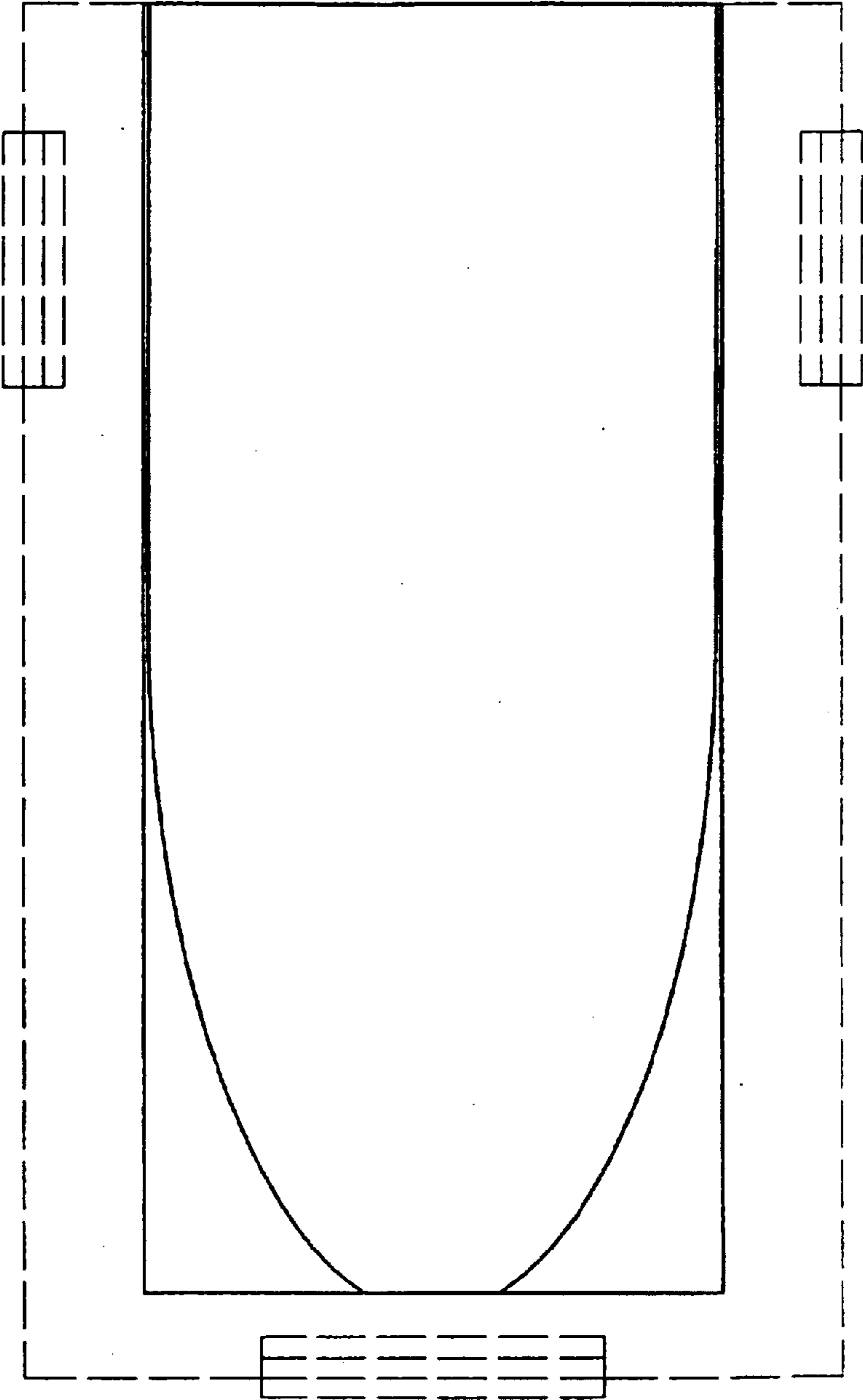


FIGURE 5