



US00D502382S

(12) **United States Design Patent**
Wu

(10) **Patent No.:** **US D502,382 S**
(45) **Date of Patent:** **** Mar. 1, 2005**

- (54) **STEERING WHEEL LOCK**
- (76) **Inventor:** **Chun-Hsien Wu**, No. 717, Sec. 1. An
Zhong Rd., Tainan (TW)
- (**) **Term:** **14 Years**
- (21) **Appl. No.:** **29/201,379**
- (22) **Filed:** **Mar. 16, 2004**
- (51) **LOC (7) Cl.** **08-07**
- (52) **U.S. Cl.** **D8/331; D8/339**
- (58) **Field of Search** **D8/330, 331, 343,**
D8/339; 70/209, 210, 225, 226, 237, 252,
258

- D465,721 S * 11/2002 Vito D8/331
- 6,502,437 B1 * 1/2003 Vito 70/209
- 6,679,089 B2 * 1/2004 Moreton 70/209

* cited by examiner

Primary Examiner—Prabhakar Deshmukh
(74) *Attorney, Agent, or Firm*—Rosenberg, Klein & Lee

(57) **CLAIM**

The ornamental design for a steering wheel lock, as shown and described.

DESCRIPTION

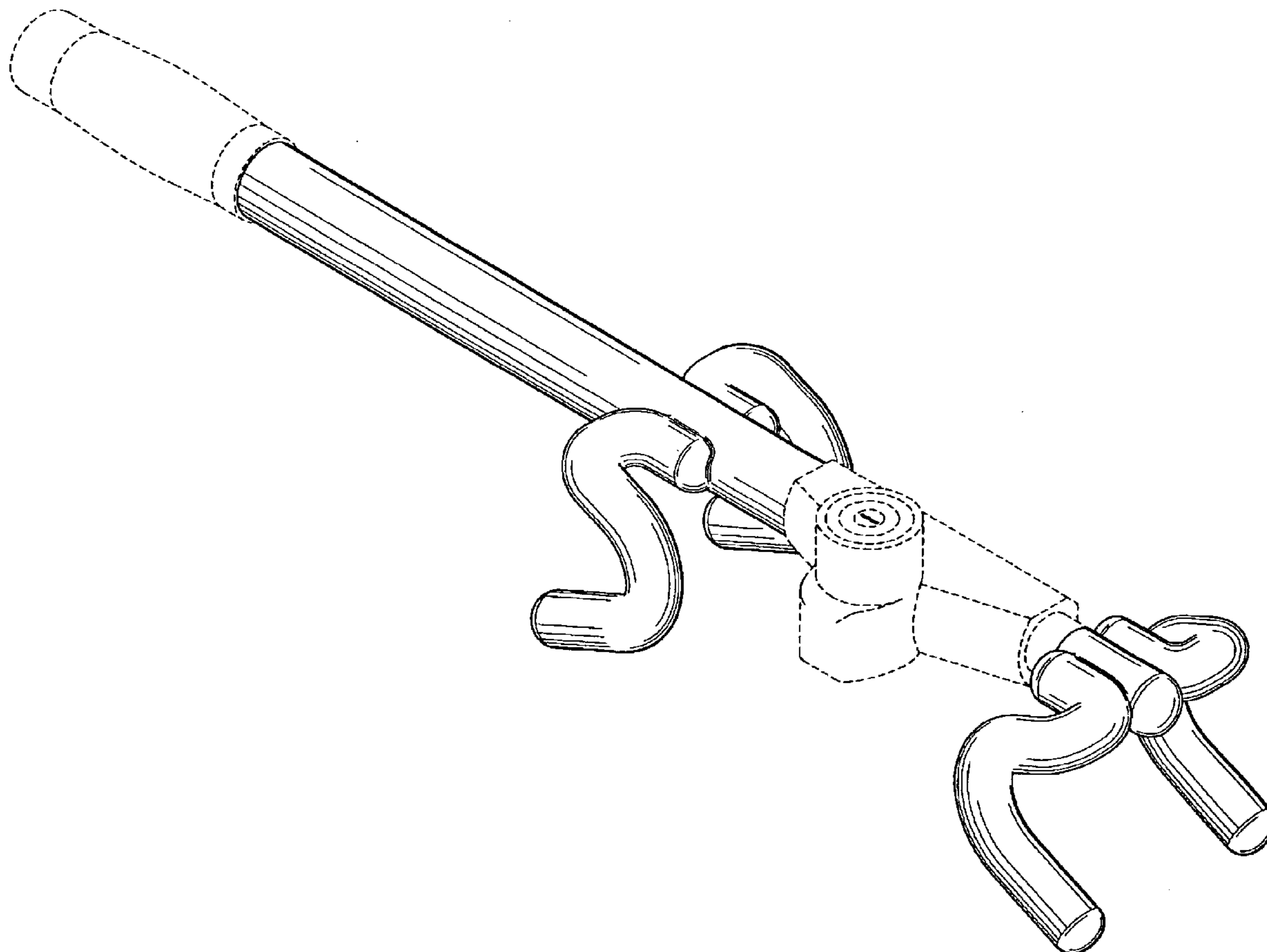
FIG. 1 is a perspective view of a steering wheel lock showing my present design;
FIG. 2 is a front view thereof;
FIG. 3 is a rear view thereof;
FIG. 4 is a left view thereof;
FIG. 5 is a right view thereof;
FIG. 6 is a top plan view thereof; and,
FIG. 7 is a bottom plan view.

The broken lines shown in FIGS. 1-7 are for illustrative purposes only and form no part of the claimed design.

(56) **References Cited**
U.S. PATENT DOCUMENTS

- D331,694 S * 12/1992 Wang D8/331
- D350,472 S * 9/1994 White et al. D8/331
- D362,172 S * 9/1995 Lo D8/339
- D370,616 S * 6/1996 Fard D8/331
- D370,840 S * 6/1996 Tsai D8/339
- D432,390 S * 10/2000 Geringer et al. D8/331
- 6,282,930 B1 * 9/2001 Strauss et al. 70/209
- 6,460,385 B1 * 10/2002 Vito 70/209

1 Claim, 7 Drawing Sheets



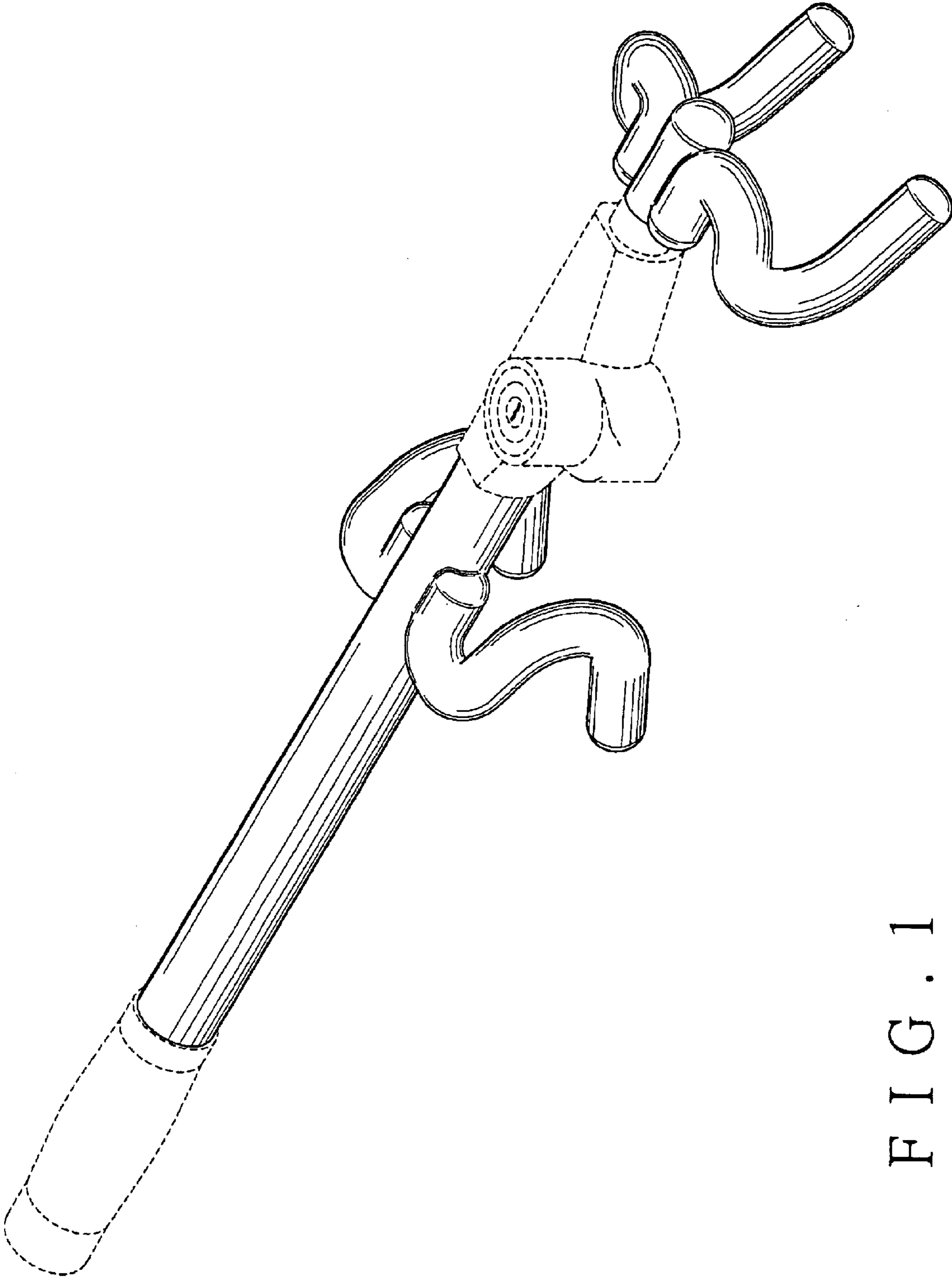


FIG. 1

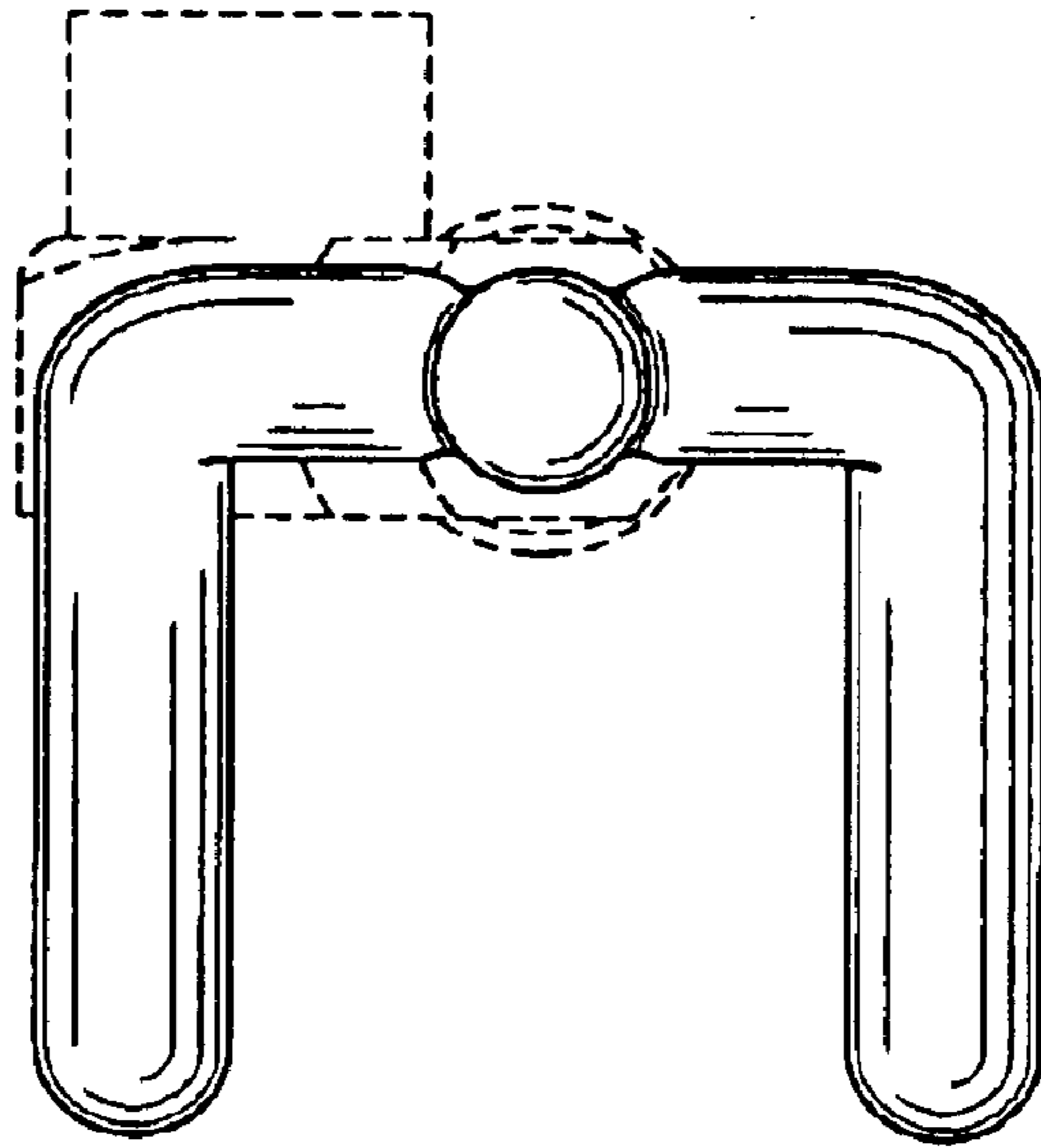


FIG. 2

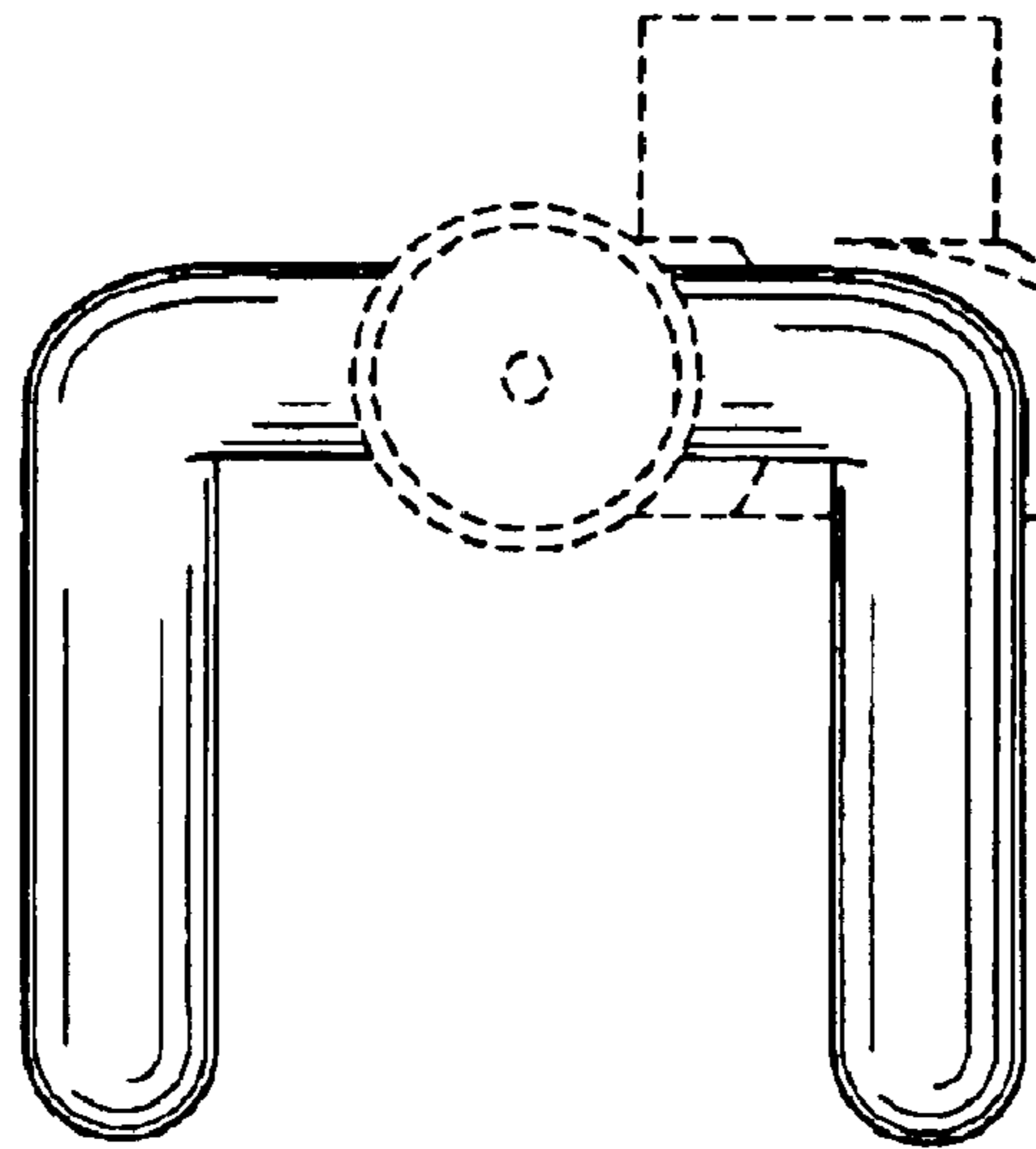


FIG. 3

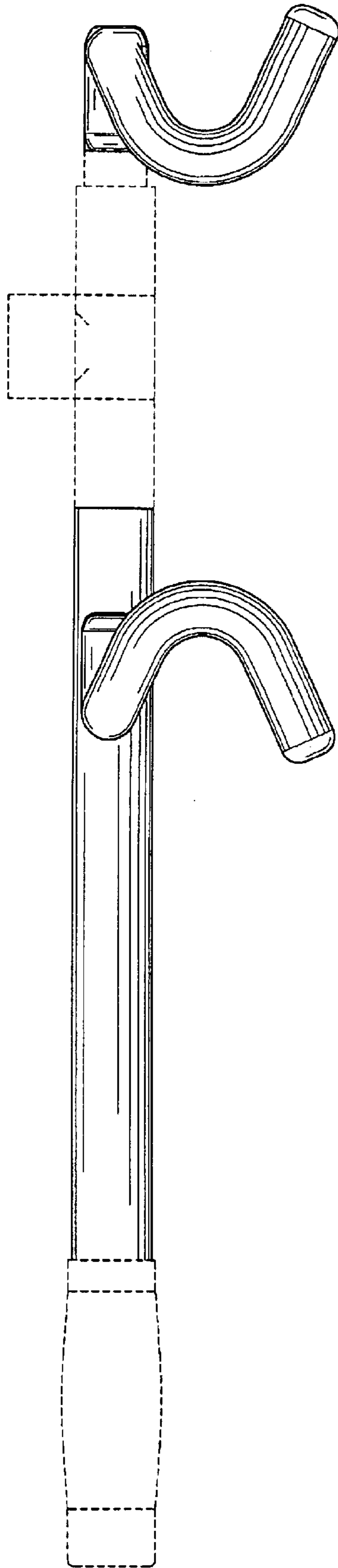


FIG. 4

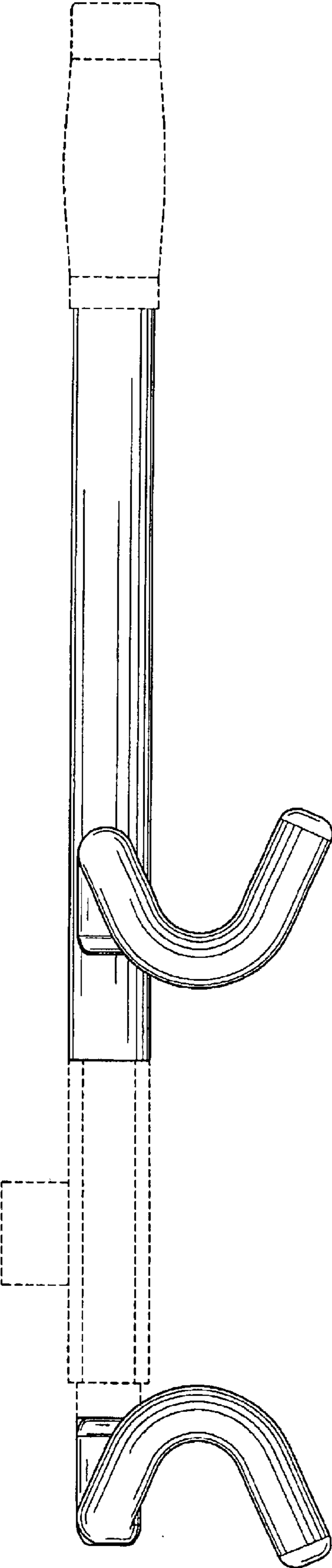


FIG. 5

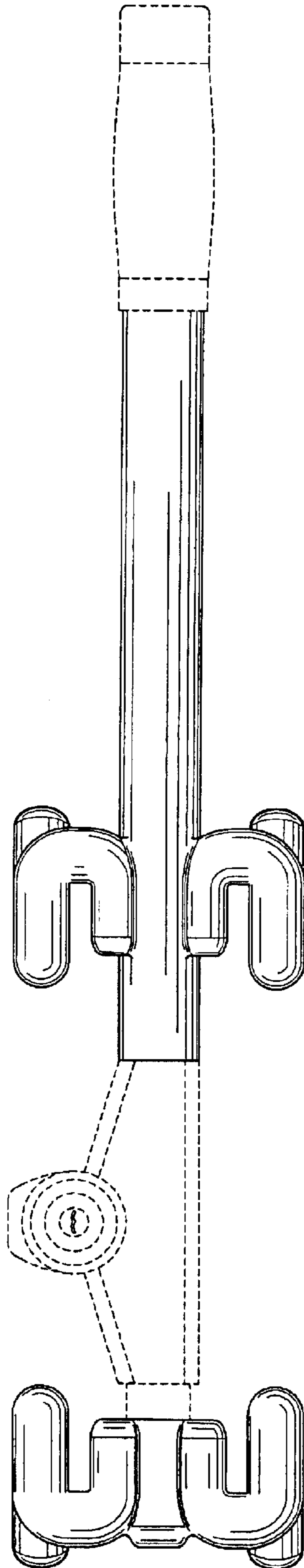


FIG. 6

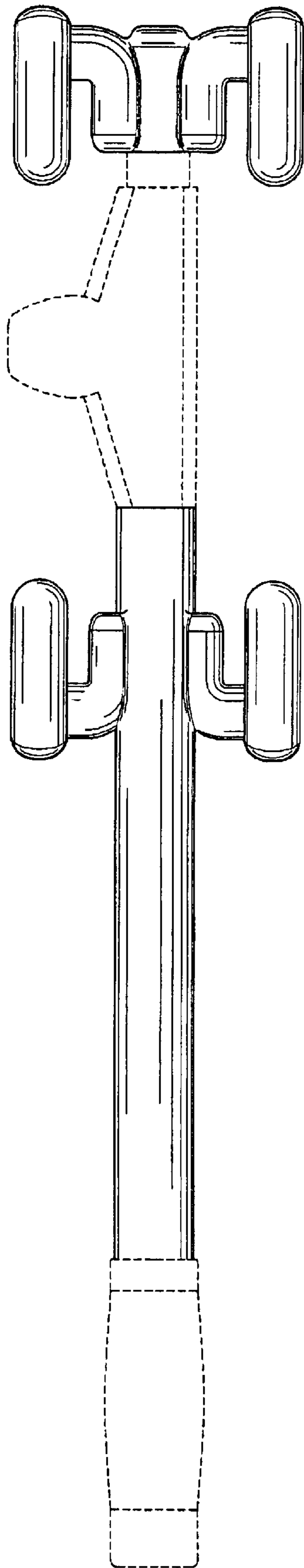


FIG. 7