

US00D502381S

(12) **United States Design Patent**
Fields

(10) **Patent No.:** **US D502,381 S**
(45) **Date of Patent:** **** Mar. 1, 2005**

- (54) **KNOB**
- (75) Inventor: **Betsy Fields**, Silverton, CO (US)
- (73) Assignee: **Liberty Hardware Mfg. Corp.**,
Winston-Salem, NC (US)
- (**) Term: **14 Years**
- (21) Appl. No.: **29/159,747**
- (22) Filed: **Apr. 26, 2002**
- (51) **LOC (7) Cl.** **08-06**
- (52) **U.S. Cl.** **D8/310**
- (58) **Field of Search** D8/300-302, 305,
D8/307, 310; 16/110.1, 414, 417, 441;
292/347; D23/250-254

- D411,795 S * 7/1999 O'Neil D8/307
- D442,055 S * 5/2001 Dewald et al. D8/310
- D445,016 S * 7/2001 Dewald et al. D8/307

* cited by examiner

Primary Examiner—Paula A. Greene
(74) *Attorney, Agent, or Firm*—Edgar A. Zarins; Lloyd D. Doigan

(57) **CLAIM**

The ornamental design for a knob, as shown and described.

DESCRIPTION

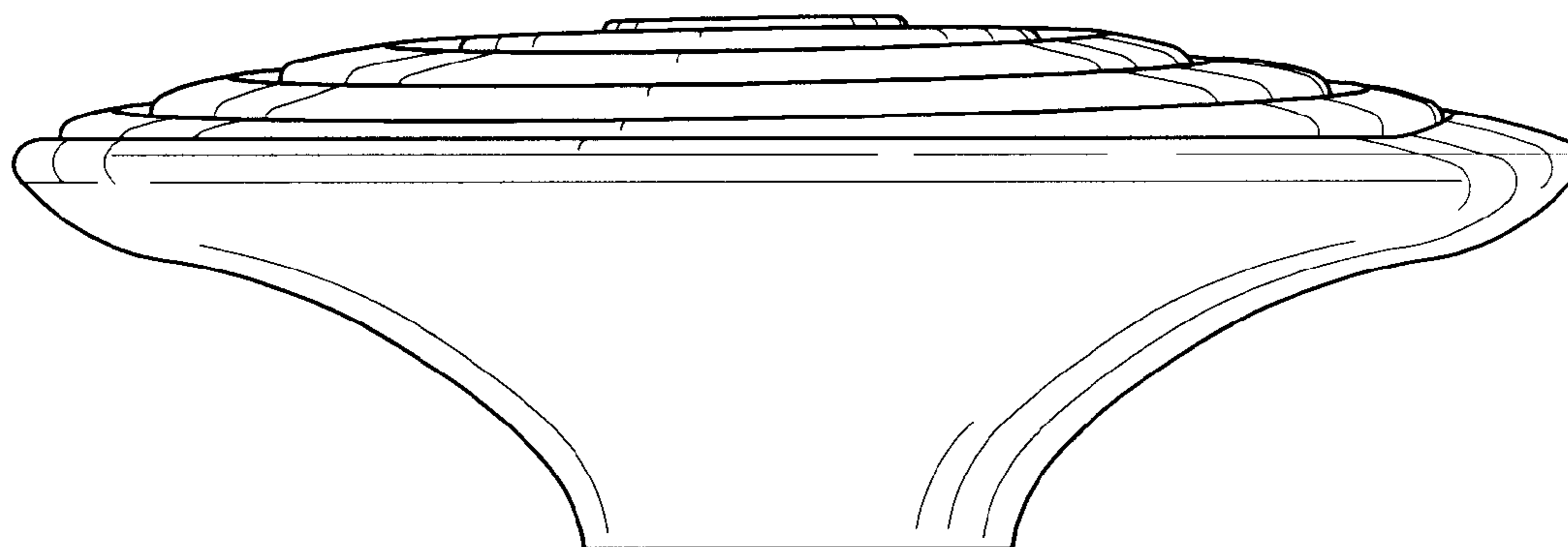
FIG. 1 is a front face view of a knob showing my new design;
FIG. 2 is a side view thereof, the opposite side being a mirror image of the side shown; and,
FIG. 3 is an end view thereof, the opposite end being a mirror image of the end shown.

(56) **References Cited**

U.S. PATENT DOCUMENTS

- D206,521 S * 12/1966 Bottom D8/310

1 Claim, 1 Drawing Sheet



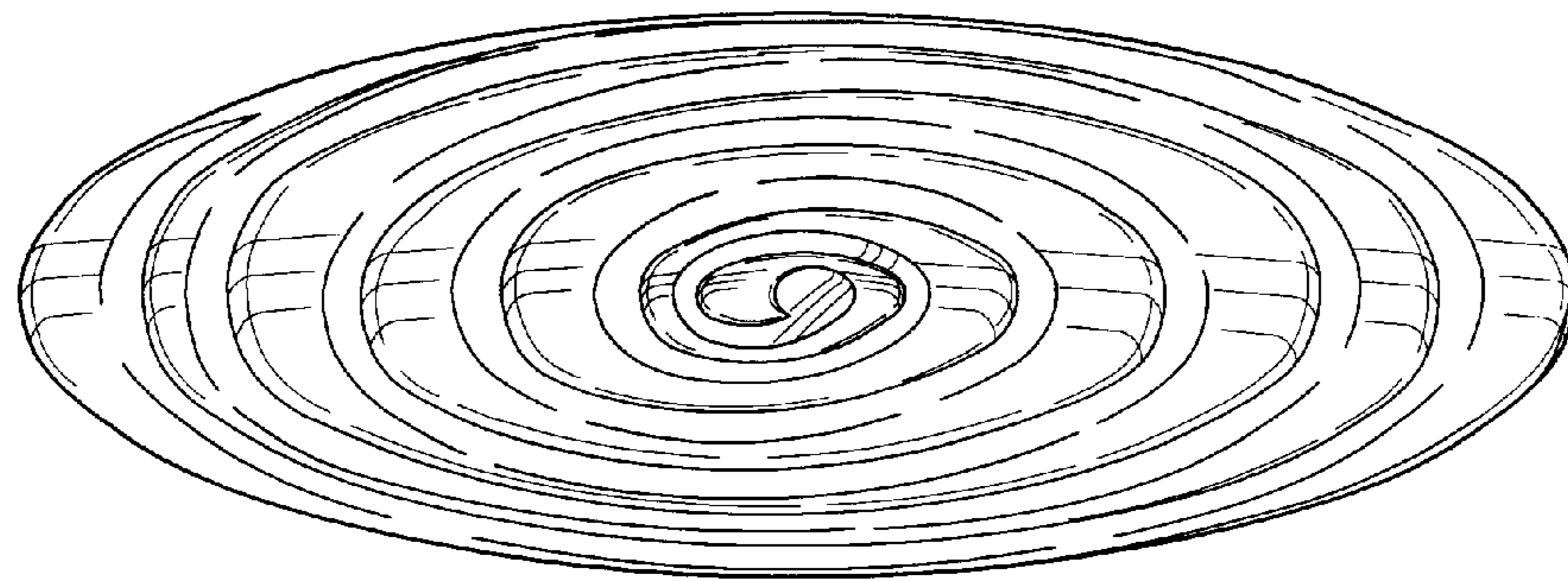


Fig-1

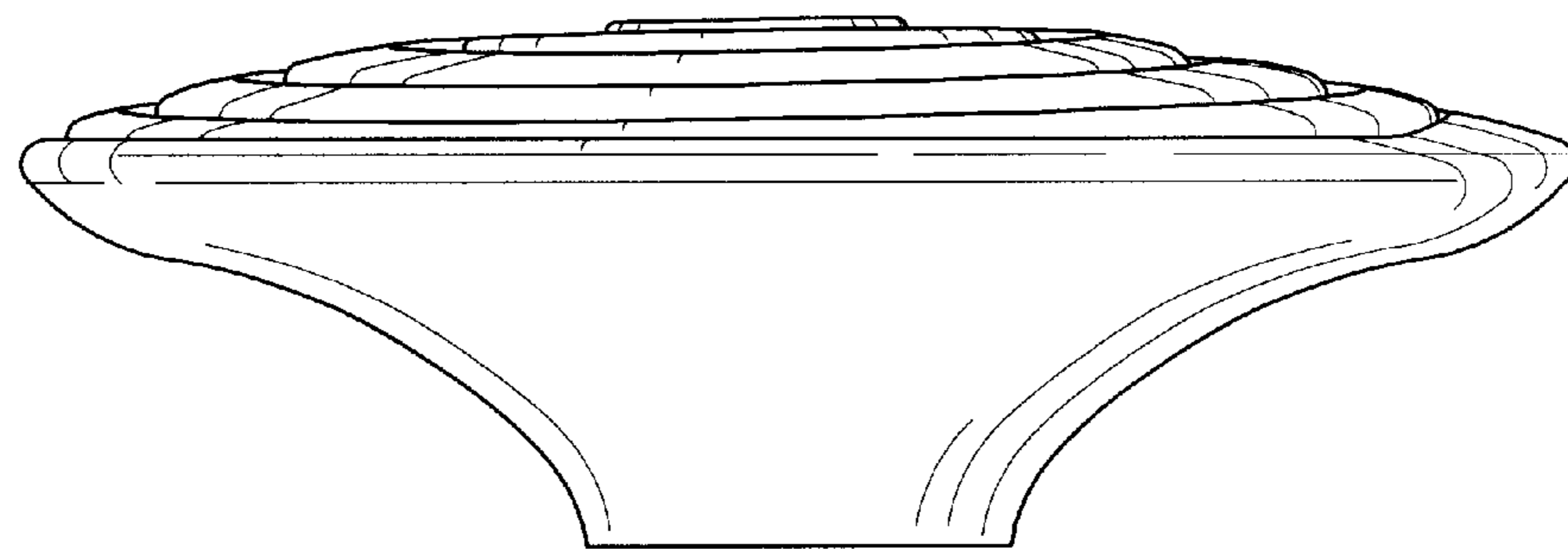


Fig-2

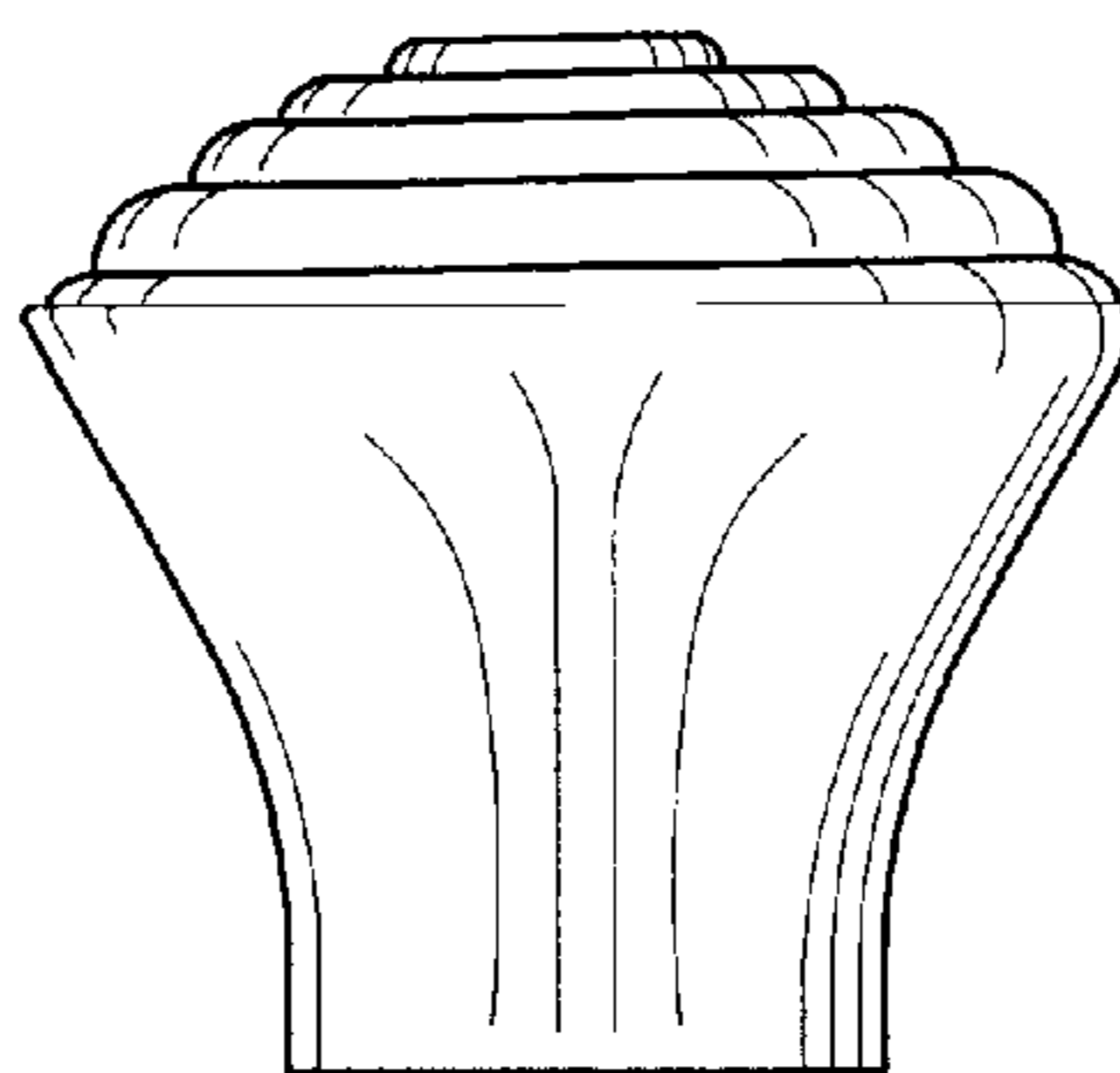


Fig-3