

US00D502378S

(12) **United States Design Patent**  
**Kang et al.**

(10) **Patent No.:** **US D502,378 S**  
(45) **Date of Patent:** **\*\* Mar. 1, 2005**

- (54) **PAD FOR GRINDING STONE**
- (75) Inventors: **Jong Moo Kang**, Suwon (KR); **Jong Kuk Park**, Osan (KR); **Hwa Jin Jeong**, Suwon (KR)
- (73) Assignee: **Ehwa Diamond Industrial Co., Ltd.** (KR)
- (\*\*) Term: **14 Years**
- (21) Appl. No.: **29/171,192**
- (22) Filed: **Nov. 18, 2002**
- (51) **LOC (7) Cl.** ..... **08-05**
- (52) **U.S. Cl.** ..... **D8/70**
- (58) **Field of Search** ..... D8/70, 20, 61, D8/62, 63; D15/126, 138, 139; 30/307, 347, 355, 388, 389, 390; 51/296; 83/663, 676, 835; 125/15; 451/259, 359, 420, 490, 510, 540-542, 548, 550

- 5,782,682 A \* 7/1998 Han et al. .... 451/548
- 6,220,942 B1 \* 4/2001 Tolles et al. .... 451/550
- D444,483 S \* 7/2001 Sunagawa ..... D15/126
- 6,364,749 B1 \* 4/2002 Walker ..... 451/548
- 6,500,057 B1 \* 12/2002 Medina ..... 451/359
- D474,666 S 5/2003 Jeong et al.

\* cited by examiner

*Primary Examiner*—Joel Sincavage  
*Assistant Examiner*—T. Chase Nelson  
(74) *Attorney, Agent, or Firm*—Webb Ziesenheim Logsdon Orkin & Hanson, P.C.

(57) **CLAIM**

The ornamental design for a pad for grinding stone, as shown and described.

**DESCRIPTION**

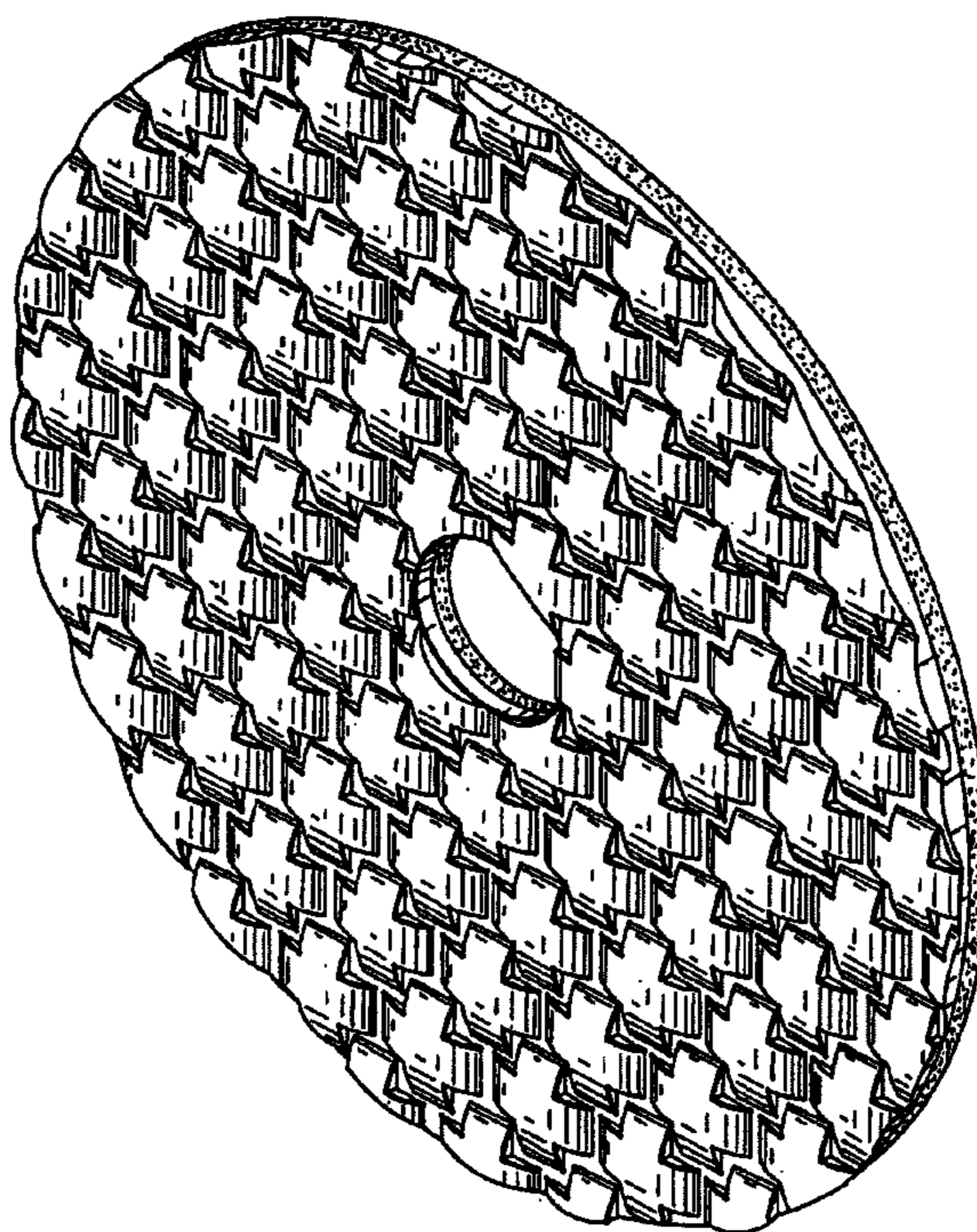
FIG. 1 is a perspective view of a pad for grinding stone of the invention;  
FIG. 2 is a front view thereof;  
FIG. 3 is a rear view thereof;  
FIG. 4 is a left side view thereof;  
FIG. 5 is a top plan view thereof;  
FIG. 6 is a perspective view showing the article as used; and,  
FIG. 7 is another perspective view showing the article as used.

The broken line showing of environmental structure including a grinder and stone or concrete surface upon which the grinder is used is for illustrative purposes only and forms no part of the claimed design.

(56) **References Cited**  
**U.S. PATENT DOCUMENTS**

- 845,987 A \* 3/1907 Wadsworth ..... 451/550
- 2,460,367 A \* 2/1949 Sharpe ..... D15/126
- 2,806,772 A \* 9/1957 Robie ..... 51/296
- 3,252,775 A \* 5/1966 Berne ..... 51/296
- 3,529,945 A \* 9/1970 Charvat ..... 51/296
- 3,869,263 A \* 3/1975 Greenspan ..... 451/548
- D247,672 S \* 4/1978 Kruse ..... D15/126
- 4,331,453 A \* 5/1982 Dau et al. .... 51/296
- D277,486 S \* 2/1985 Yanagiura ..... D15/126
- 5,022,191 A \* 6/1991 Broido ..... 451/550

**1 Claim, 6 Drawing Sheets**



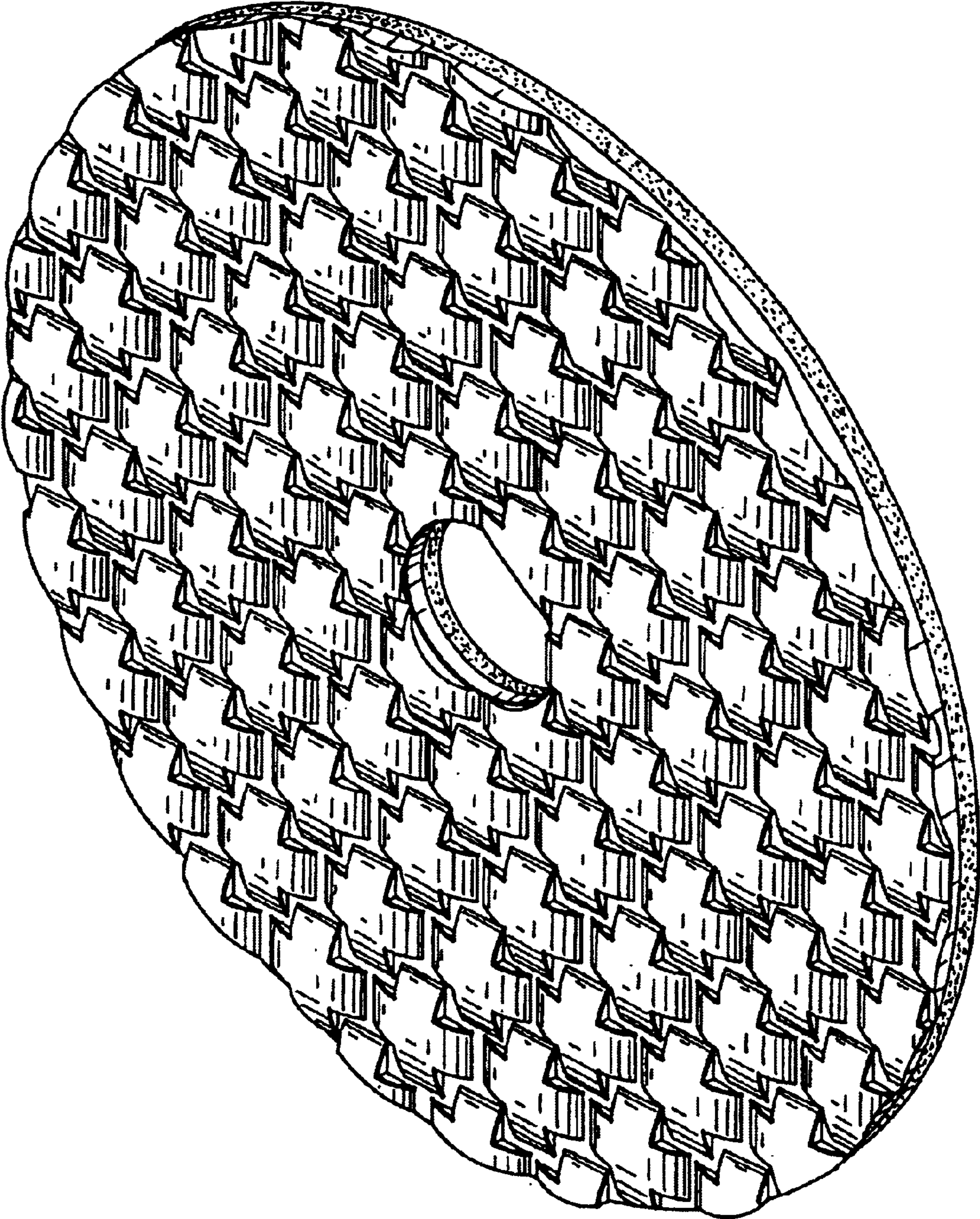


FIG. 1

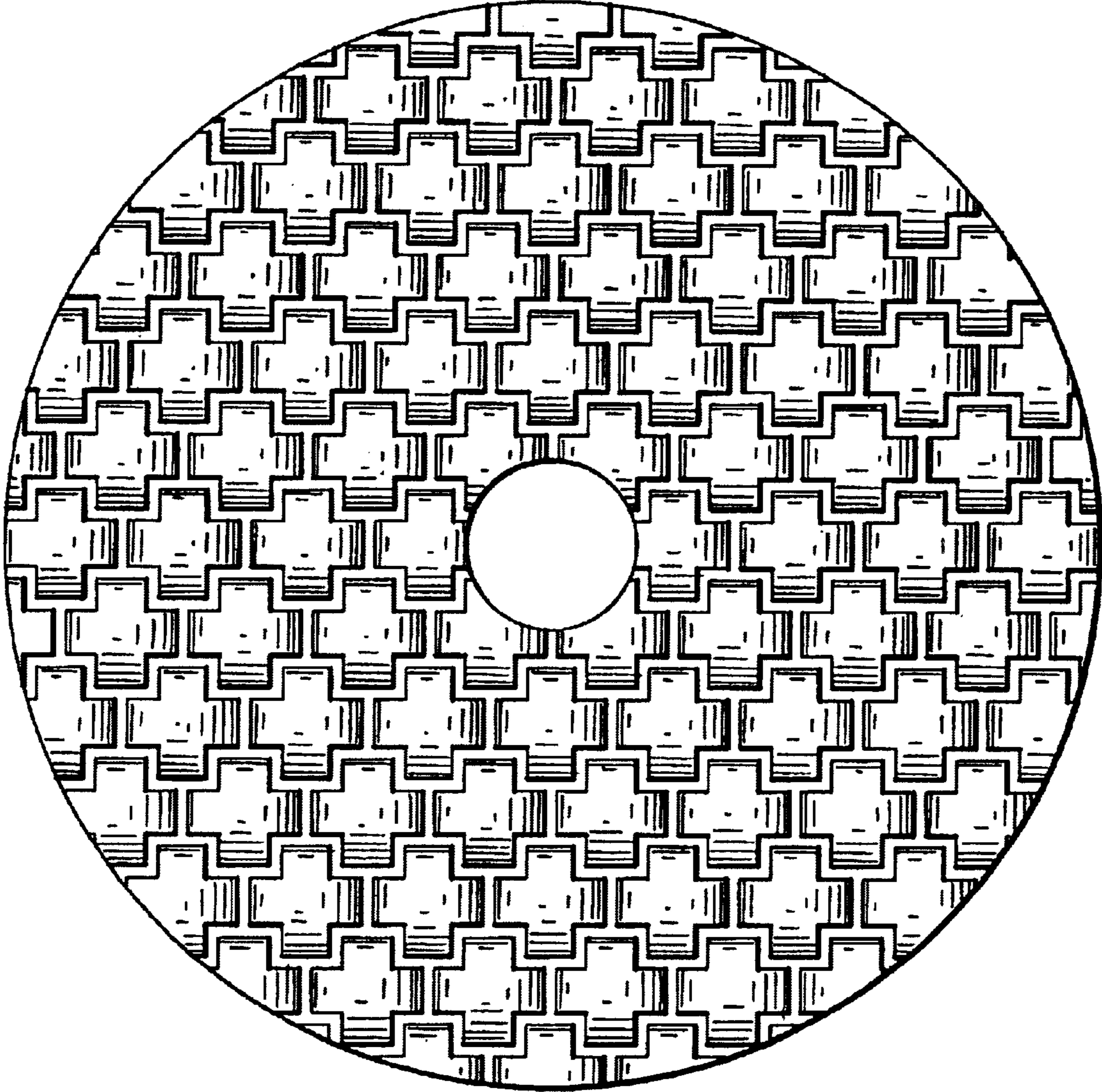
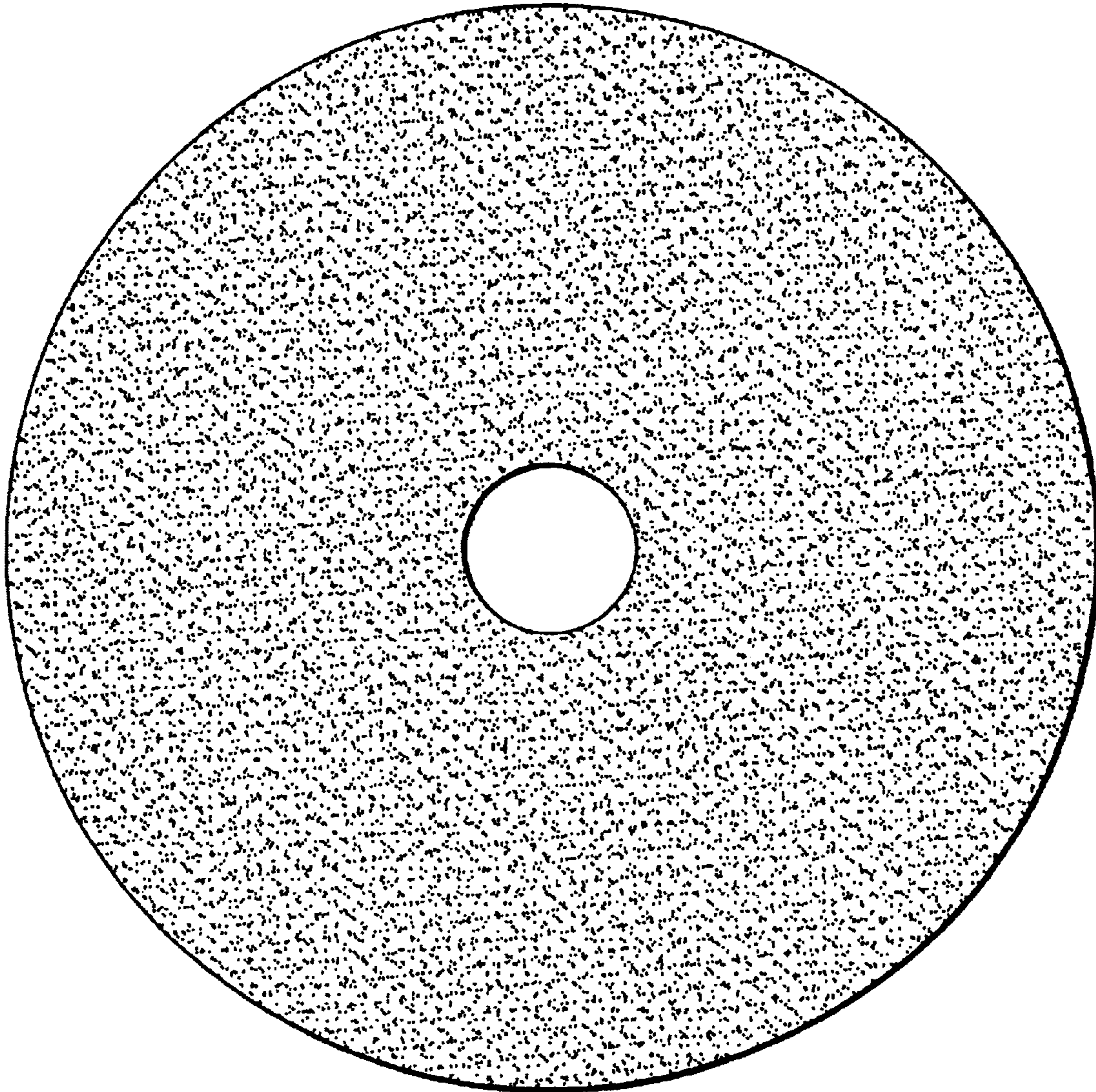


FIG.2



**FIG.3**



FIG. 4



FIG. 5

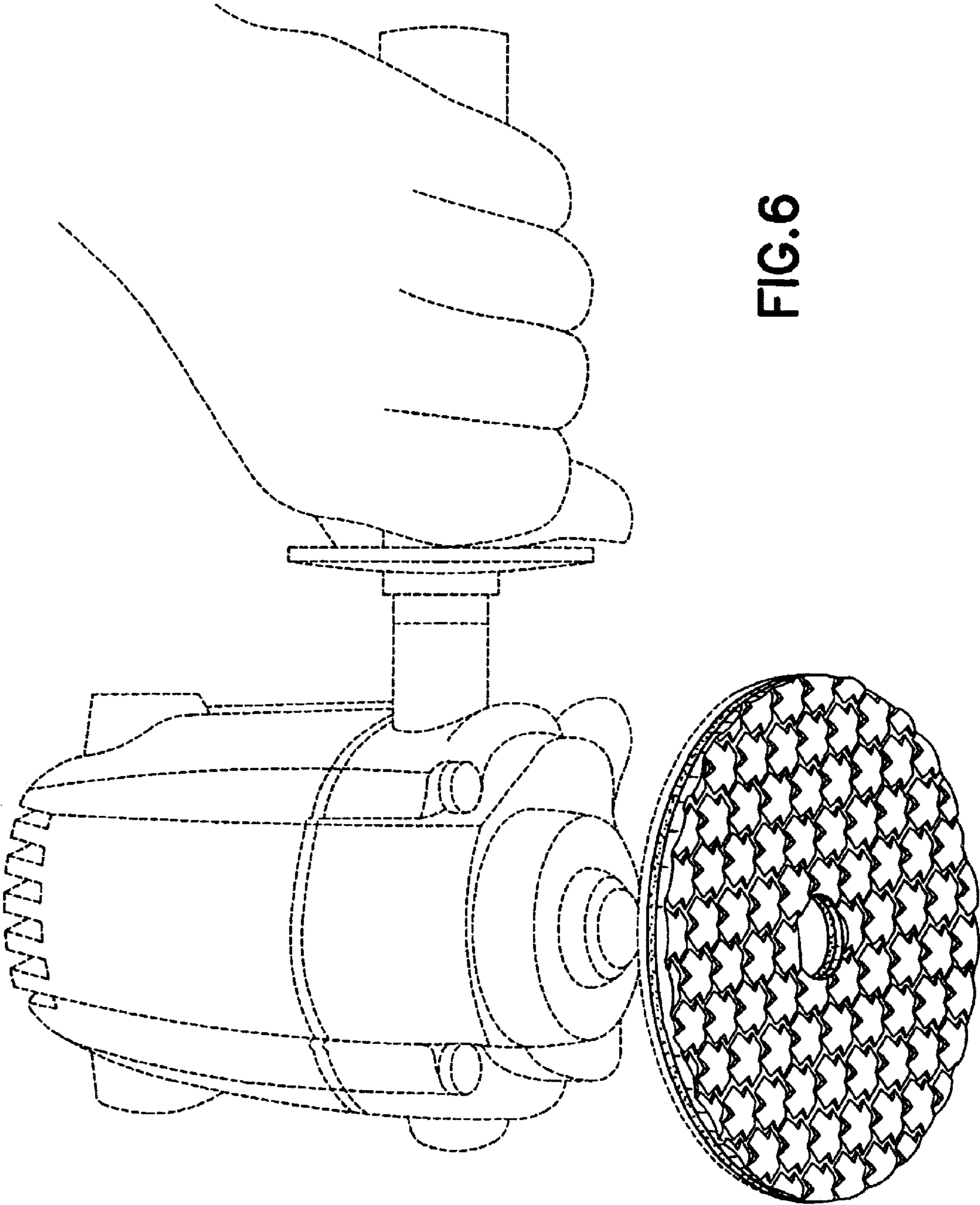


FIG. 6

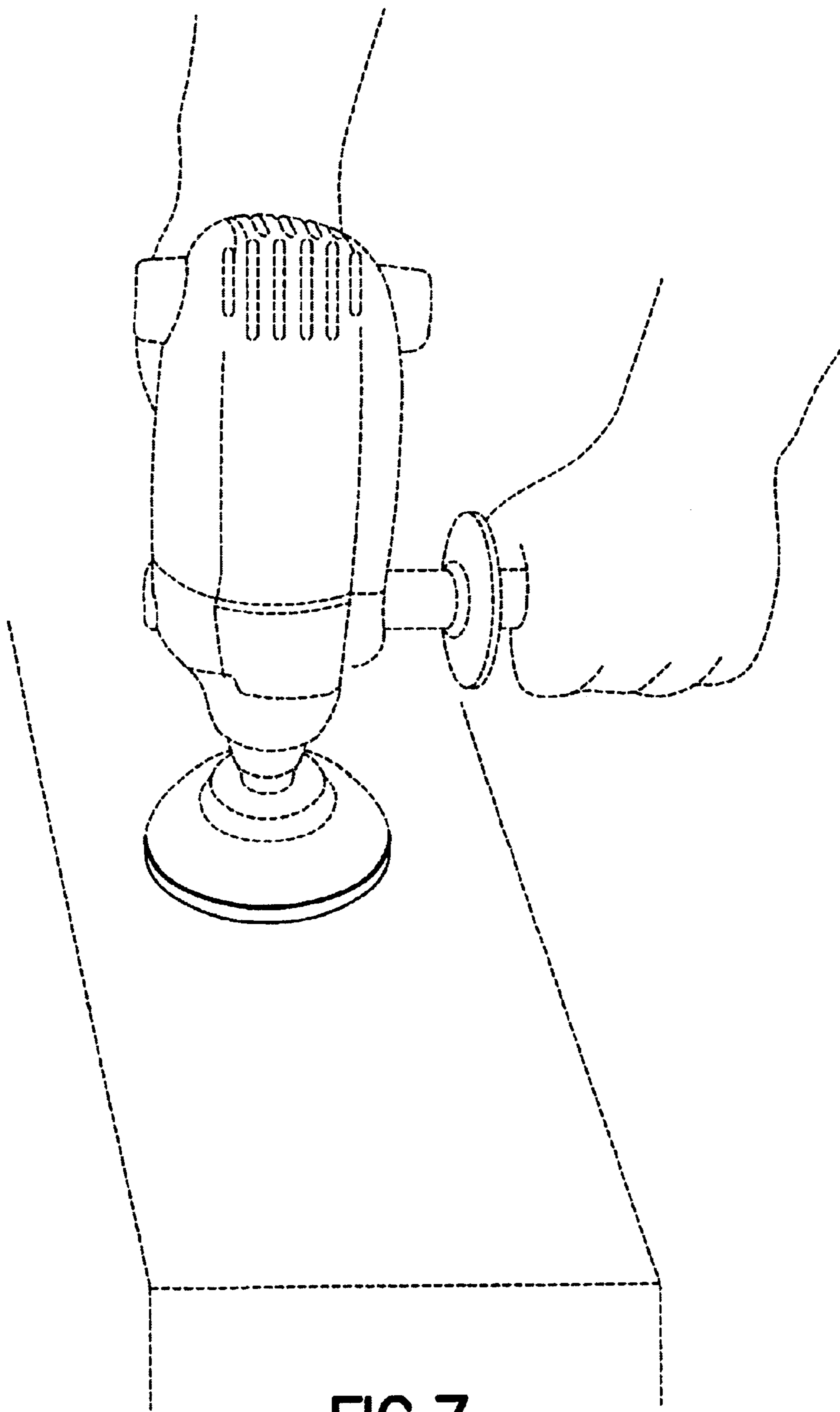


FIG.7