

US00D502374S

(12) **United States Design Patent**
Aglassinger

(10) **Patent No.: US D502,374 S**
(45) **Date of Patent: ** Mar. 1, 2005**

(54) **HAMMER DRILL**

(75) **Inventor: Hans-Peter Aglassinger, Esslingen (DE)**

(73) **Assignee: Robert Bosch GmbH, Stuttgart (DE)**

(**) **Term: 14 Years**

(21) **Appl. No.: 29/179,208**

(22) **Filed: Apr. 7, 2003**

(51) **LOC (7) Cl. 08-01**

(52) **U.S. Cl. D8/68**

(58) **Field of Search** D8/14.1, 61, 62, D8/63, 64, 65, 66, 67, 68, 69, 70; 81/57.11, 429, 464, 465, 466, 469, 489; 173/13, 169, 178, 213, 217; 227/8, 114, 120, 130, 136, 142; 310/50; 406/20, 124, 125, 234, 241 R; 451/358

D403,565 S	*	1/1999	Chung	D8/68
D406,511 S	*	3/1999	Zurwelle	D8/68
D406,741 S	*	3/1999	Zurwelle	D8/68
D406,742 S	*	3/1999	Schoen et al.	D8/68
6,155,916 A	*	12/2000	Rudolf et al.	451/358
D439,123 S	*	3/2001	Sakai et al.	D8/68
D460,336 S	*	7/2002	Pretzell	D8/69
D470,379 S	*	2/2003	Andriolo	D8/68
D470,737 S	*	2/2003	Chunn et al.	D8/68
D486,049 S	*	2/2004	Sugiura et al.	D8/68
D488,978 S	*	4/2004	Cheung	D8/68
2002/0084087 A1	*	7/2002	Hecht et al.	173/178

* cited by examiner

Primary Examiner—Joel A. Sincavage

Assistant Examiner—T. Chase Nelson

(74) *Attorney, Agent, or Firm*—Michael J. Striker

(57) **CLAIM**

The ornamental design for a hammer drill, as shown and described.

DESCRIPTION

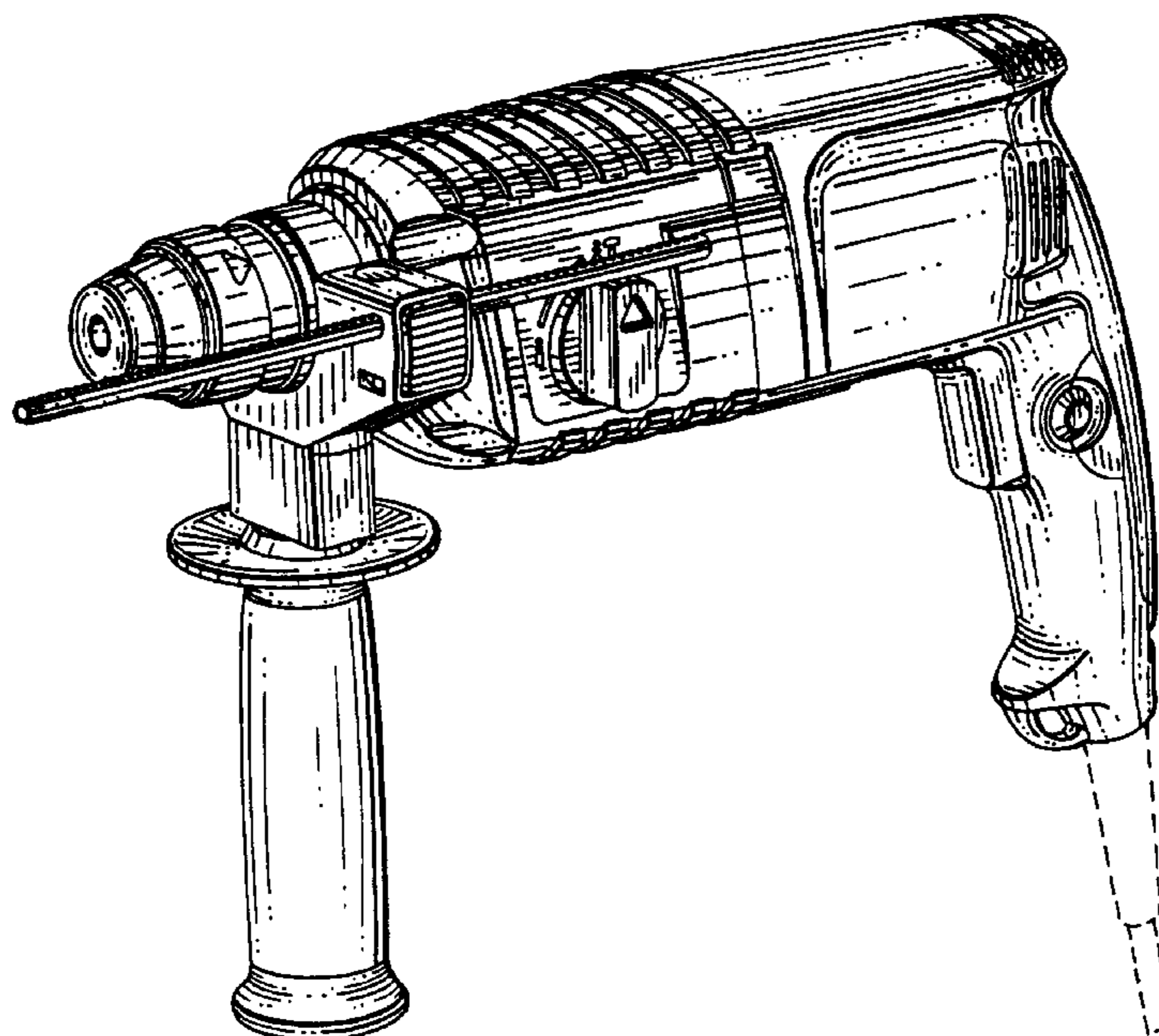
FIG. 1 is a top, front, and right side perspective view showing my new design of a hammer drill; FIG. 2 is a left side perspective view thereof; FIG. 3 is a right side perspective view thereof; FIG. 4 is a top perspective view thereof; FIG. 5 is a bottom perspective view thereof; FIG. 6 is a front perspective view thereof; and, FIG. 7 is a rear perspective view thereof. The broken line showing of environmental structure is for illustrative purposes only and forms no part of the claimed design.

1 Claim, 7 Drawing Sheets

(56) **References Cited**

U.S. PATENT DOCUMENTS

2,346,778 A	*	4/1944	Mitchell	310/50
4,098,351 A	*	7/1978	Alessio	173/13
4,418,766 A	*	12/1983	Grossmann	173/13
D280,797 S	*	10/1985	Sakamoto et al.	D8/68
4,689,534 A	*	8/1987	Gerber et al.	310/50
4,820,090 A	*	4/1989	Chen	408/241 R
5,056,607 A	*	10/1991	Sanders	173/48
D325,860 S	*	5/1992	Fushiya et al.	D8/68
D337,711 S	*	7/1993	Ogawa et al.	D8/68
D342,878 S	*	1/1994	Watanabe et al.	D8/68
D343,105 S	*	1/1994	Shibata et al.	D8/68
D396,621 S	*	8/1998	Zurwelle	D8/68



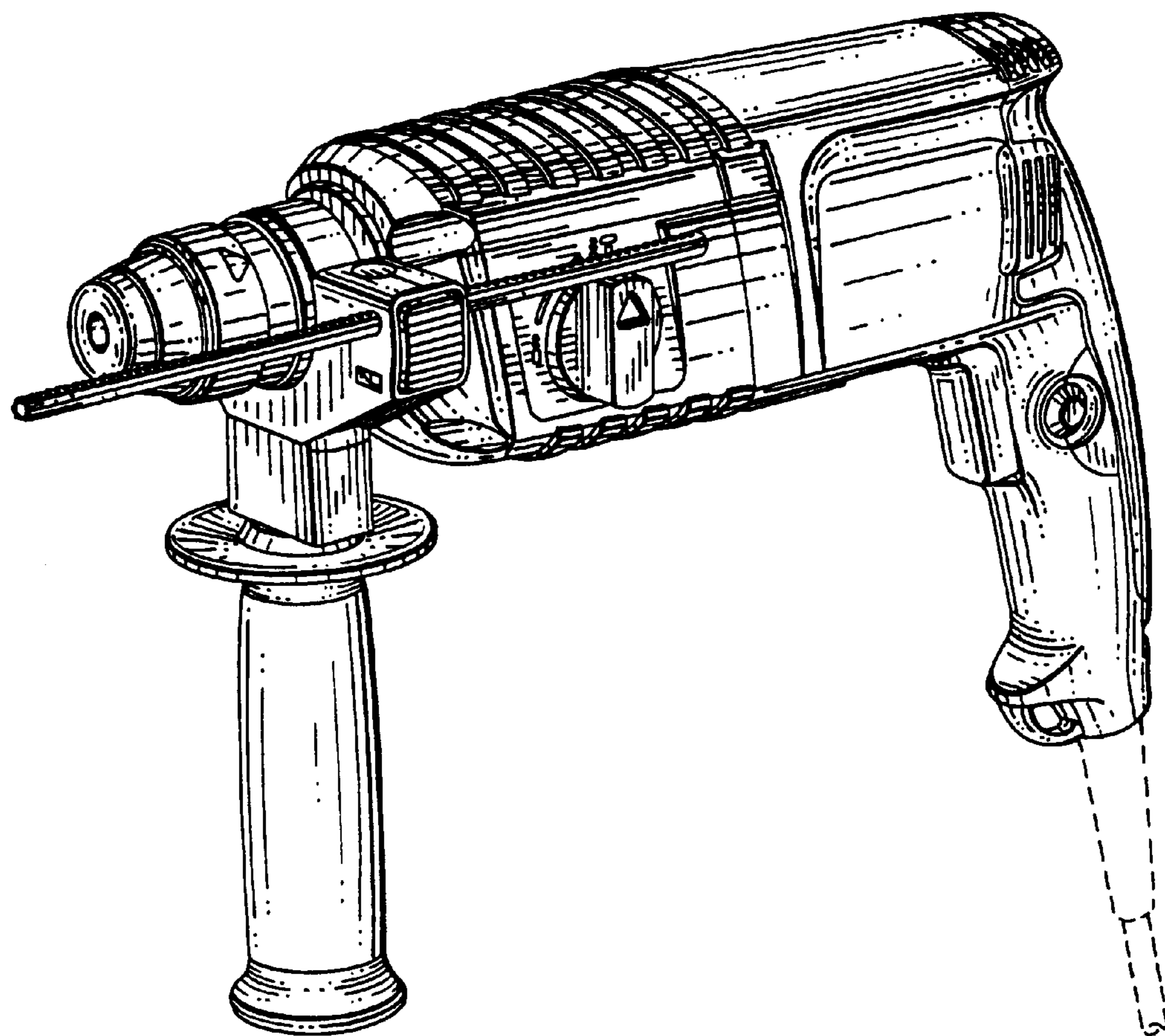


FIG. 1

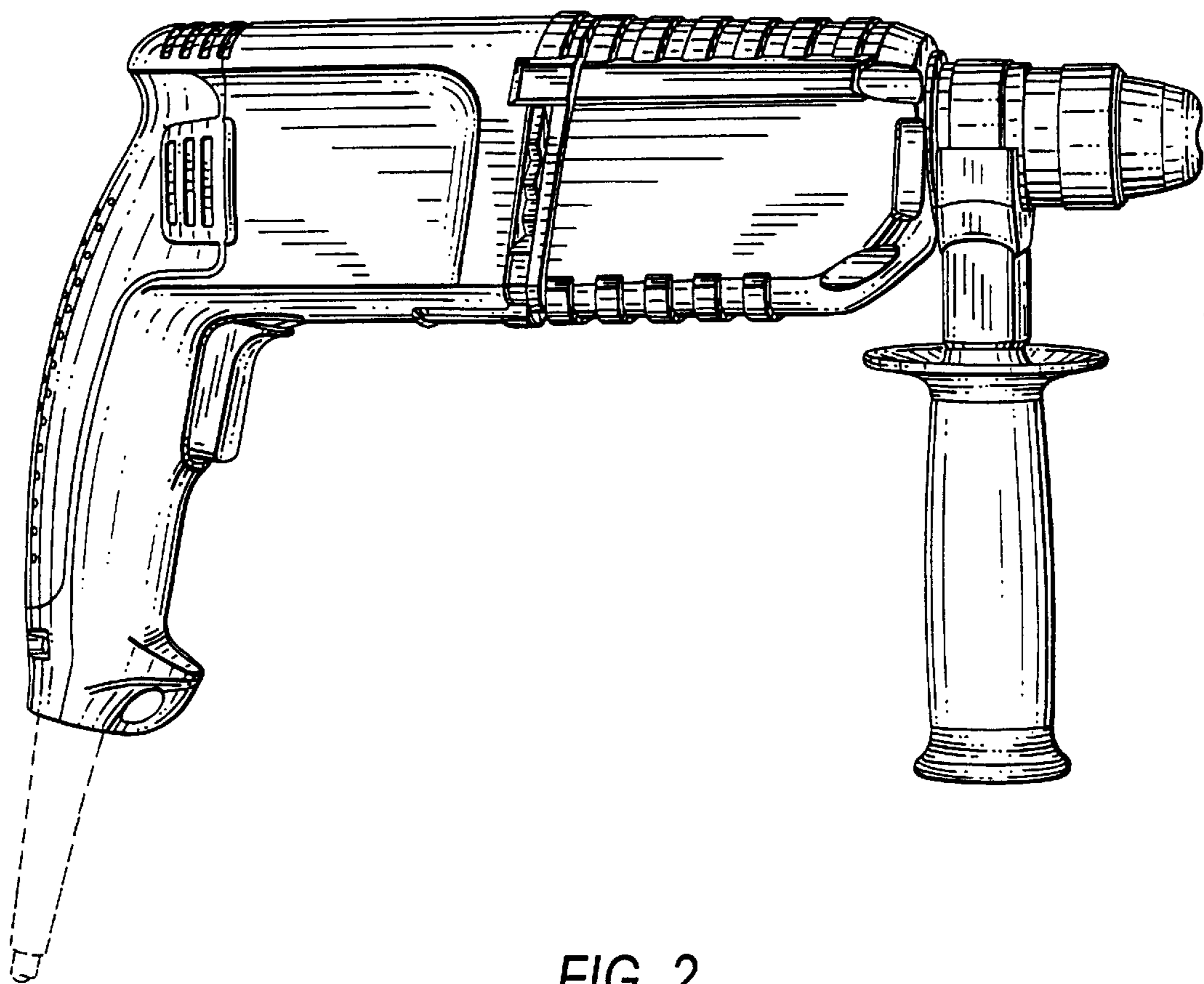


FIG. 2

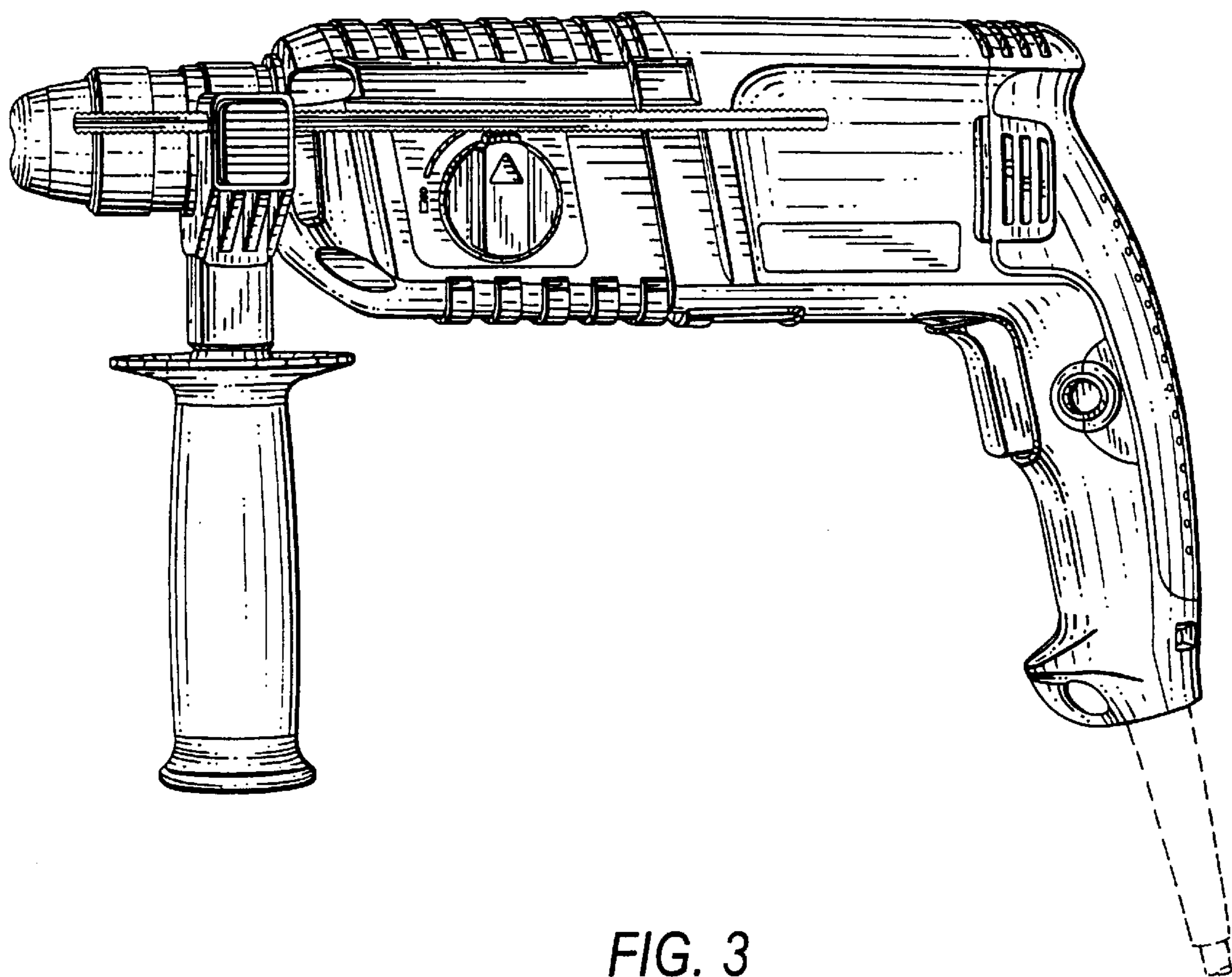


FIG. 3

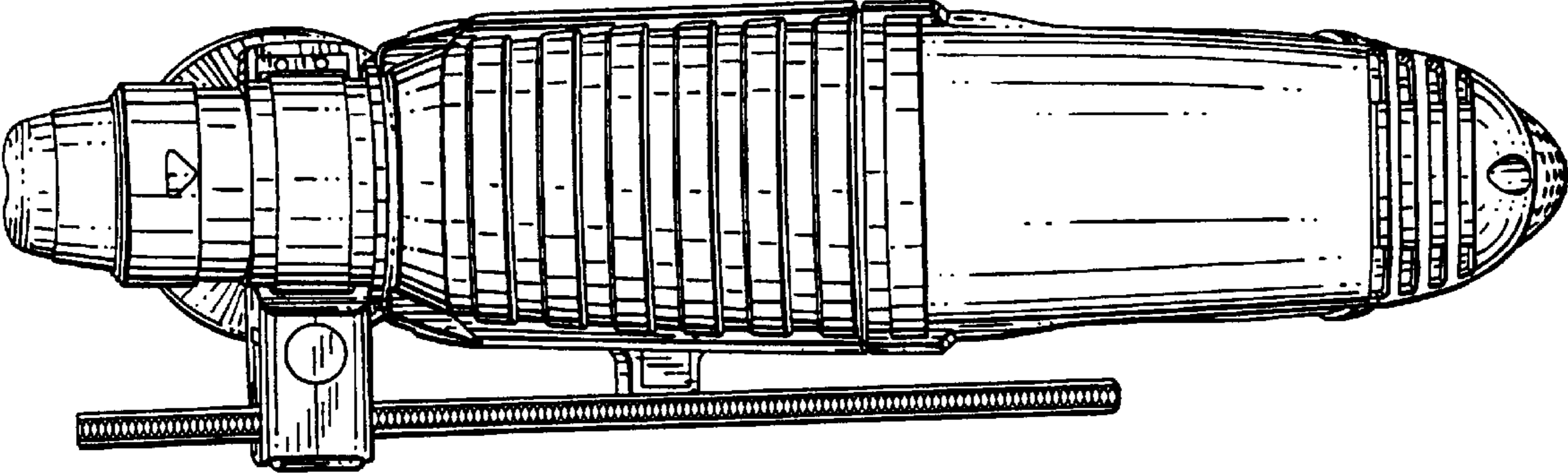


FIG. 4

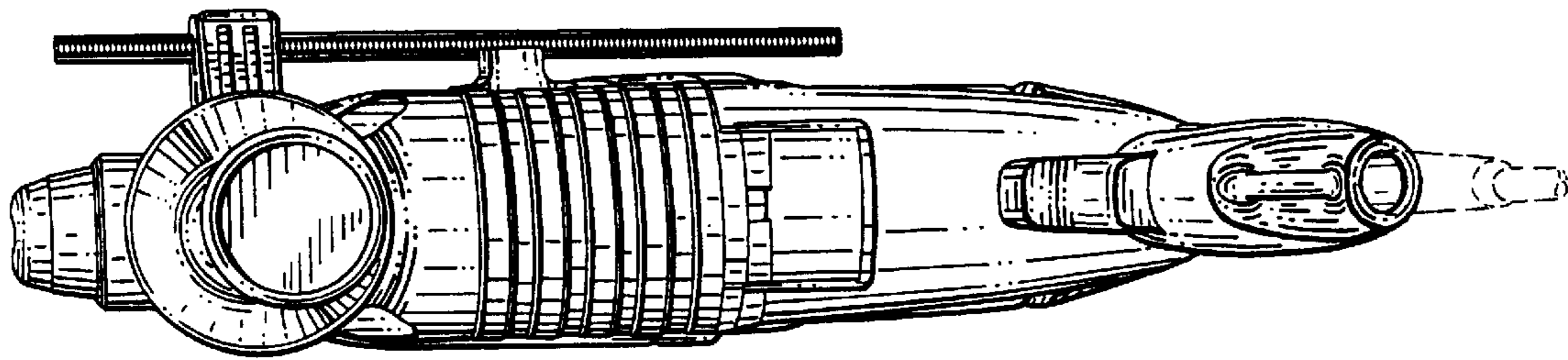


FIG. 5

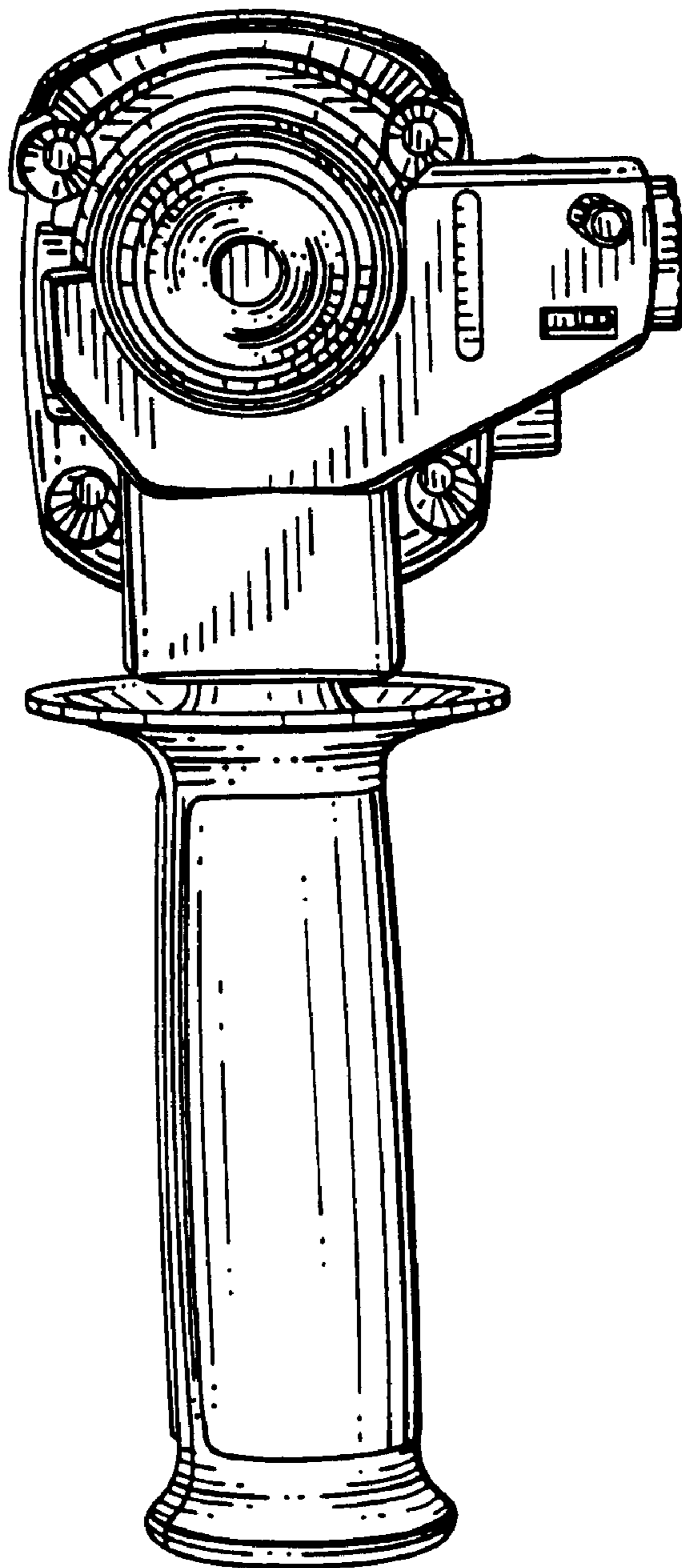


FIG. 6

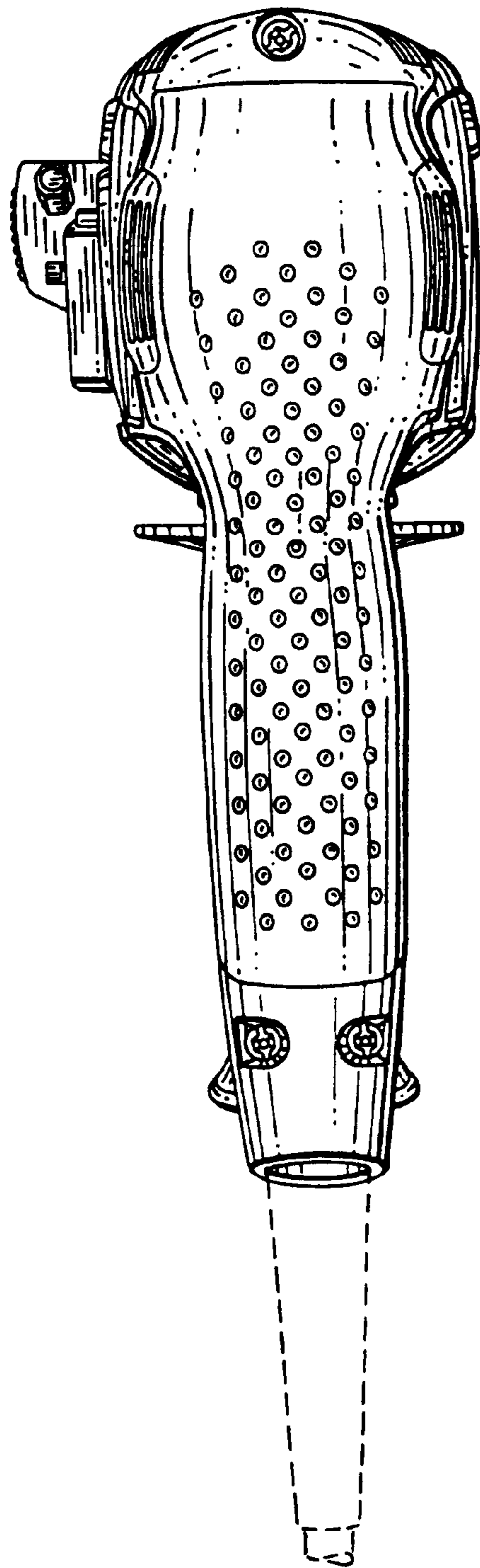


FIG. 7