

US00D502373S

(12) **United States Design Patent** (10) **Patent No.:** **US D502,373 S**
Wu (45) **Date of Patent:** **** Mar. 1, 2005**

- (54) **CIRCULAR SAW**
- (75) Inventor: **Shuming Wu, Jiangsu (CN)**
- (73) Assignee: **Chervon International Trading Co., Ltd., Jiangsu (CN)**
- (**) Term: **14 Years**
- (21) Appl. No.: **29/201,047**
- (22) Filed: **Mar. 10, 2004**
- (30) **Foreign Application Priority Data**
- Sep. 15, 2003 (CN) 03368652
- (51) **LOC (7) Cl.** **08-03**
- (52) **U.S. Cl.** **D8/66**
- (58) **Field of Search** D8/61, 64, 66,
D8/67, 68, 69; 30/166.3, 373, 374, 375,
376, 377, 388, 389, 390, 391; 125/13.01;
144/218

(56) **References Cited**

U.S. PATENT DOCUMENTS

D262,772 S	*	1/1982	Glass et al.	D8/66
D313,155 S	*	12/1990	Somers	D8/66
5,010,651 A	*	4/1991	Techter et al.	303/76
5,023,999 A	*	6/1991	Looper et al.	30/390
5,433,008 A	*	7/1995	Barger et al.	30/376
5,782,001 A	*	7/1998	Gray	30/391
5,832,614 A	*	11/1998	Gallagher et al.	30/391
5,873,282 A	*	2/1999	Dibbern et al.	74/421 A
5,934,143 A	*	8/1999	Dibbern et al.	74/421 A
6,202,311 B1	*	3/2001	Nickels	30/376
D449,503 S	*	10/2001	Tsuzuki et al.	D8/66
D453,099 S	*	1/2002	Welsh	D8/66
D466,385 S	*	12/2002	Shigo et al.	D8/66
D475,266 S	*	6/2003	Sakai et al.	D8/66
D486,369 S	*	2/2004	Keller	D8/66

D488,977 S	*	4/2004	Evans	D8/66
D492,564 S	*	7/2004	Zemlok et al.	D8/66
2004/0107584 A1	*	6/2004	Yoshida et al.	30/391

* cited by examiner

Primary Examiner—Joel A. Sincavage

Assistant Examiner—Elizabeth Albert

(74) *Attorney, Agent, or Firm*—Lowe Hauptman Gilman & Berner, LLP

(57) **CLAIM**

The ornamental design for a circular saw, as shown and described.

DESCRIPTION

FIG. 1 is a front elevational view of a circular saw in accordance with the design;

FIG. 2 is a rear elevational view of the circular saw in FIG. 1;

FIG. 3 is a right side elevational view of the circular saw in FIG. 1;

FIG. 4 is a left side elevational view of the circular saw in FIG. 1;

FIG. 5 is a top plan view of the circular saw in FIG. 1;

FIG. 6 is a bottom plan view of the circular saw in FIG. 1;

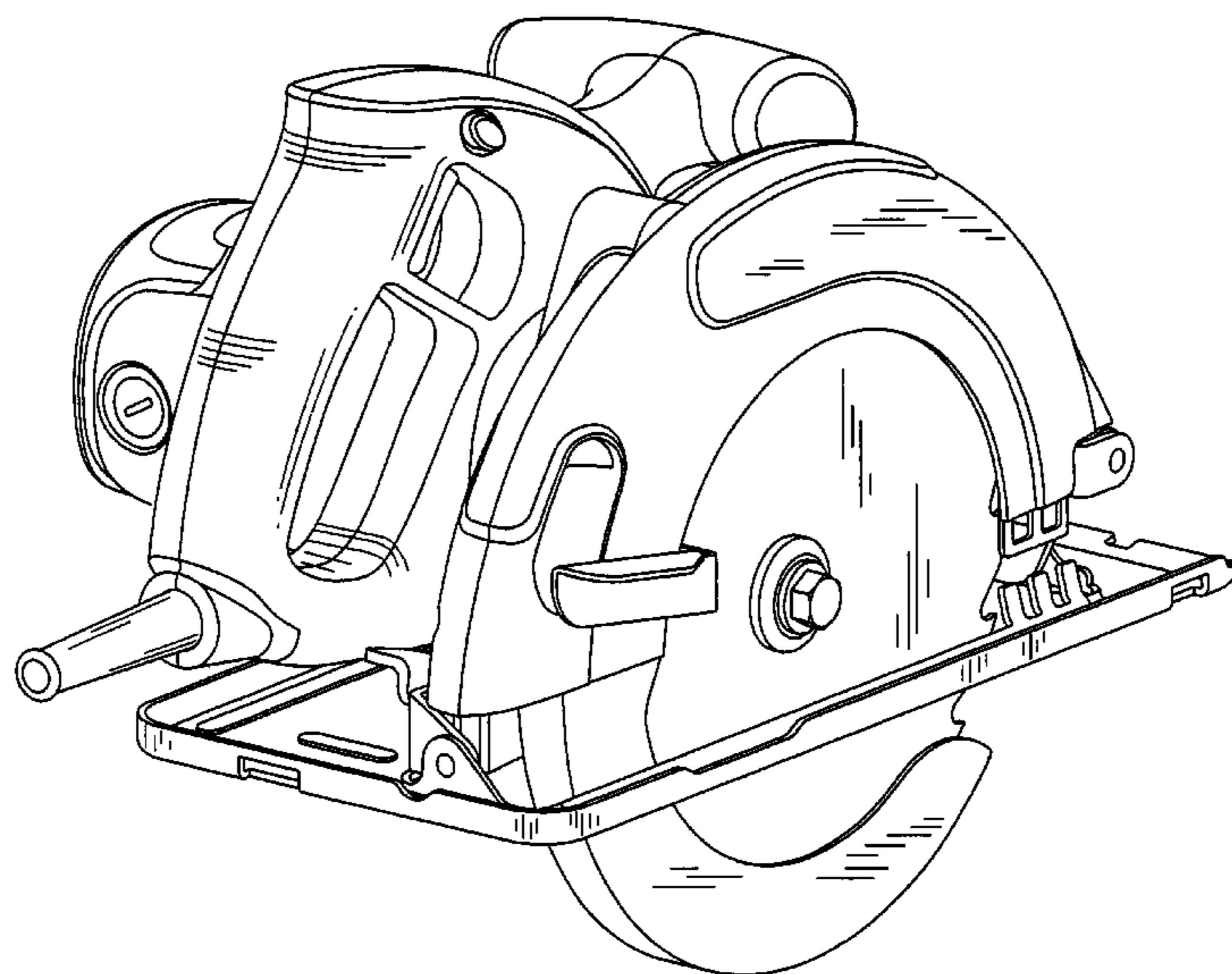
FIG. 7 is a top-rear-left perspective view of the design of FIG. 1;

FIG. 8 is a front-top-left perspective view of the design of FIG. 1 where the handle is slightly lifted to form a very acute angle with the base frame, and the blade forms with the base frame as substantially 90° angle.

FIG. 9 is a view similar to FIG. 8 except the handle is further lifted to form with the base frame an acute angle greater than the angle of FIG. 8; and,

FIG. 10 is a view similar to FIG. 8 except the blade and the handle tilt to the front so that the blade forms with the base frame an angle other than 90°.

1 Claim, 10 Drawing Sheets



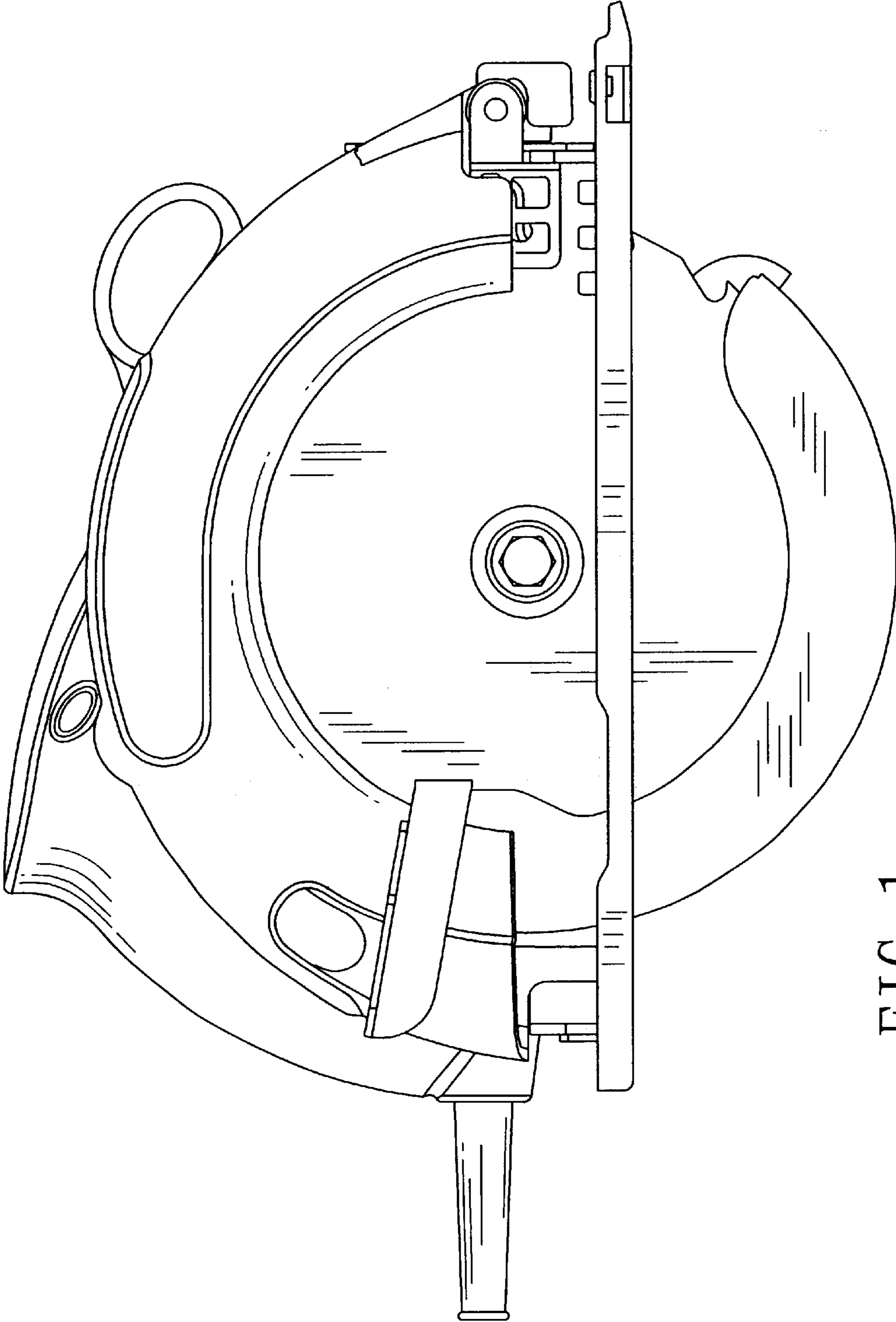


FIG. 1

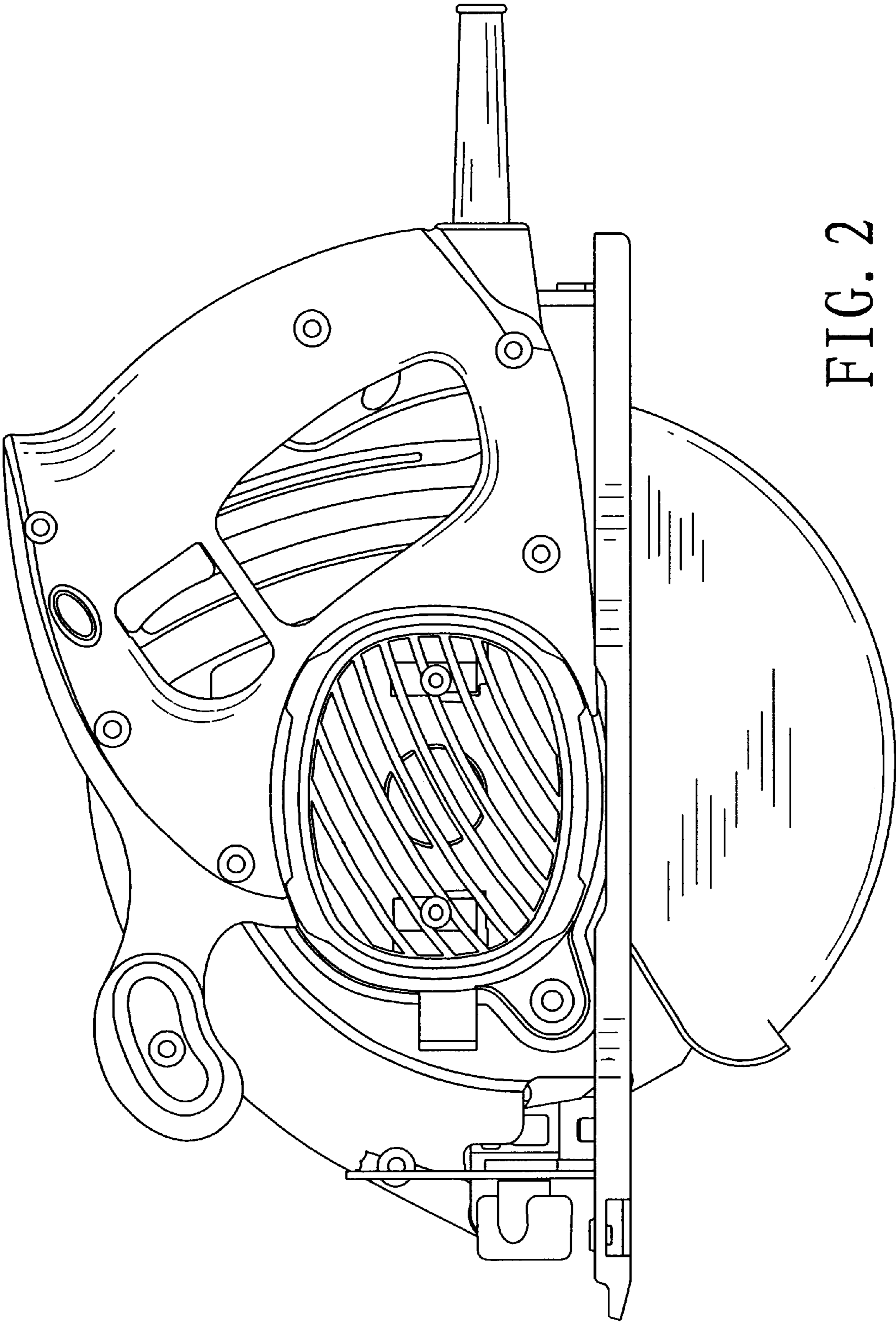


FIG. 2

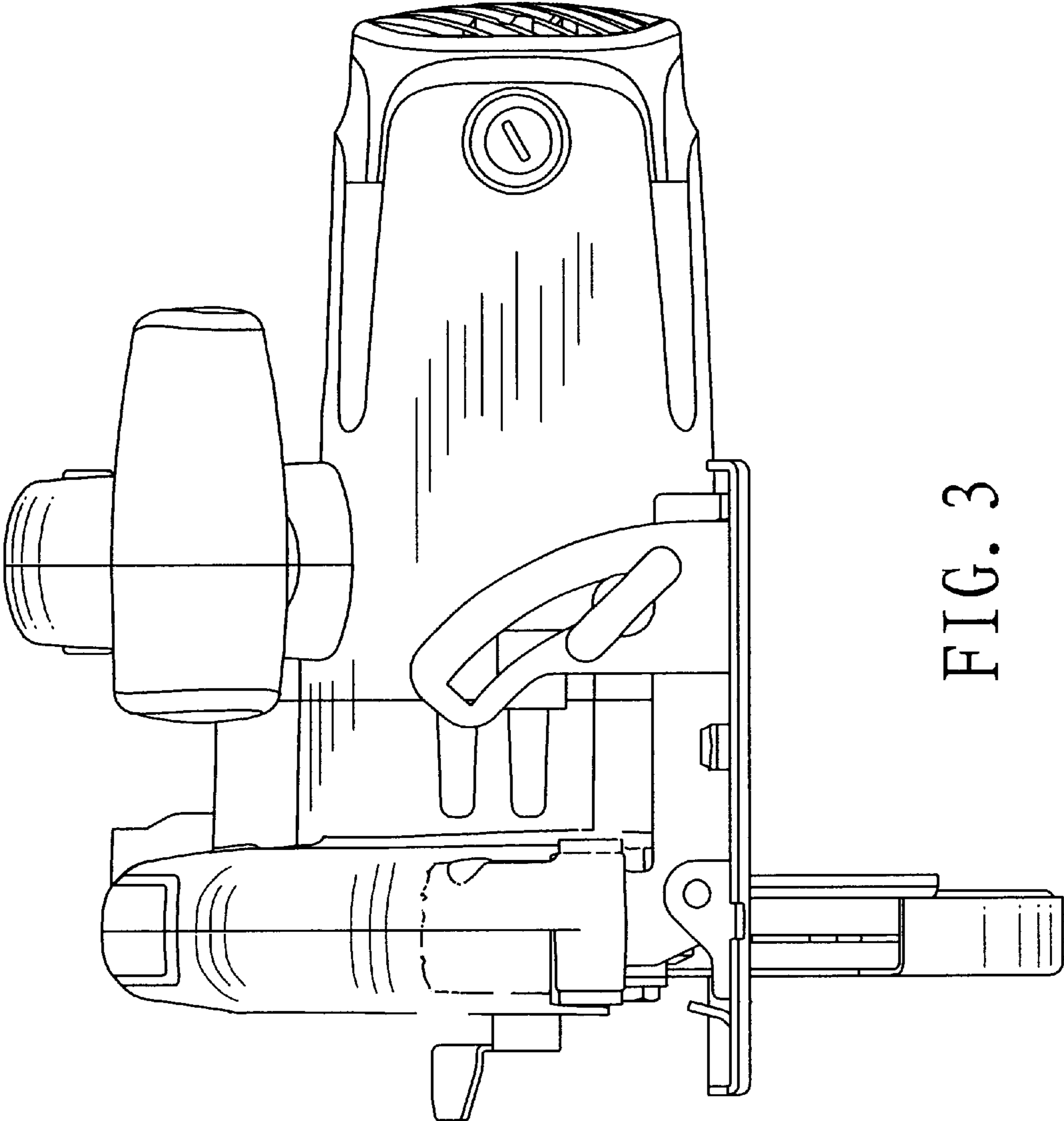


FIG. 3

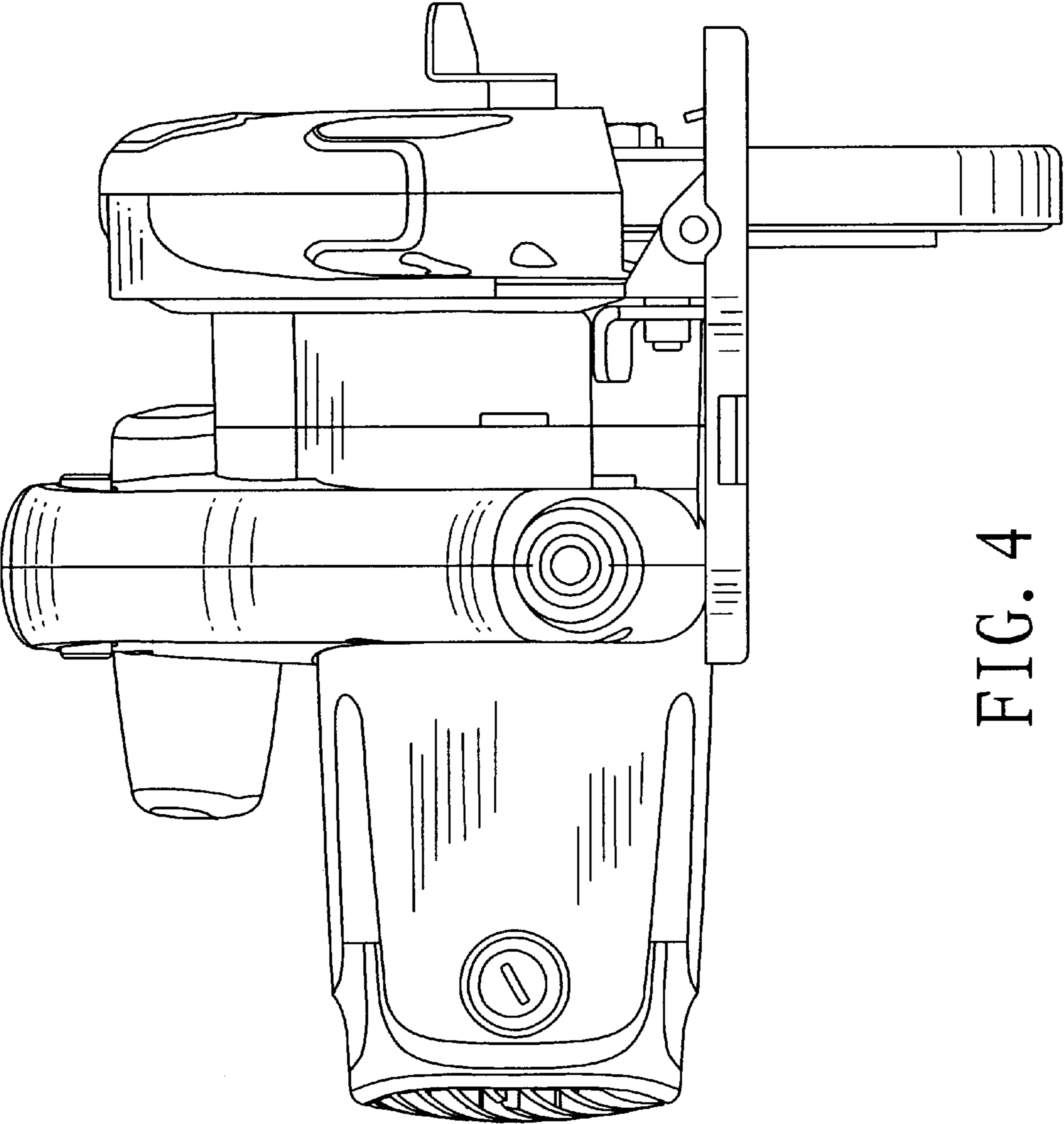


FIG. 4

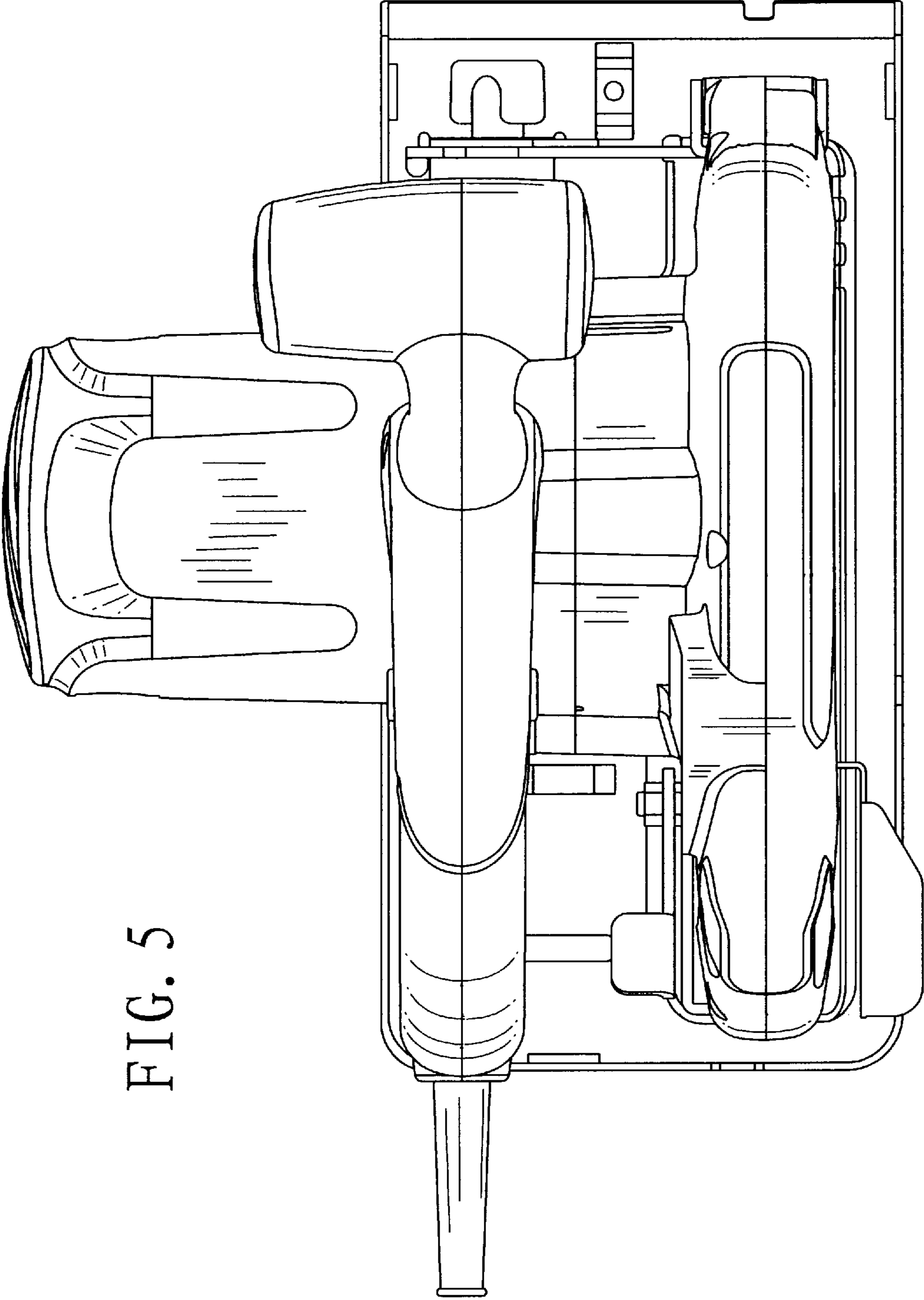


FIG. 5

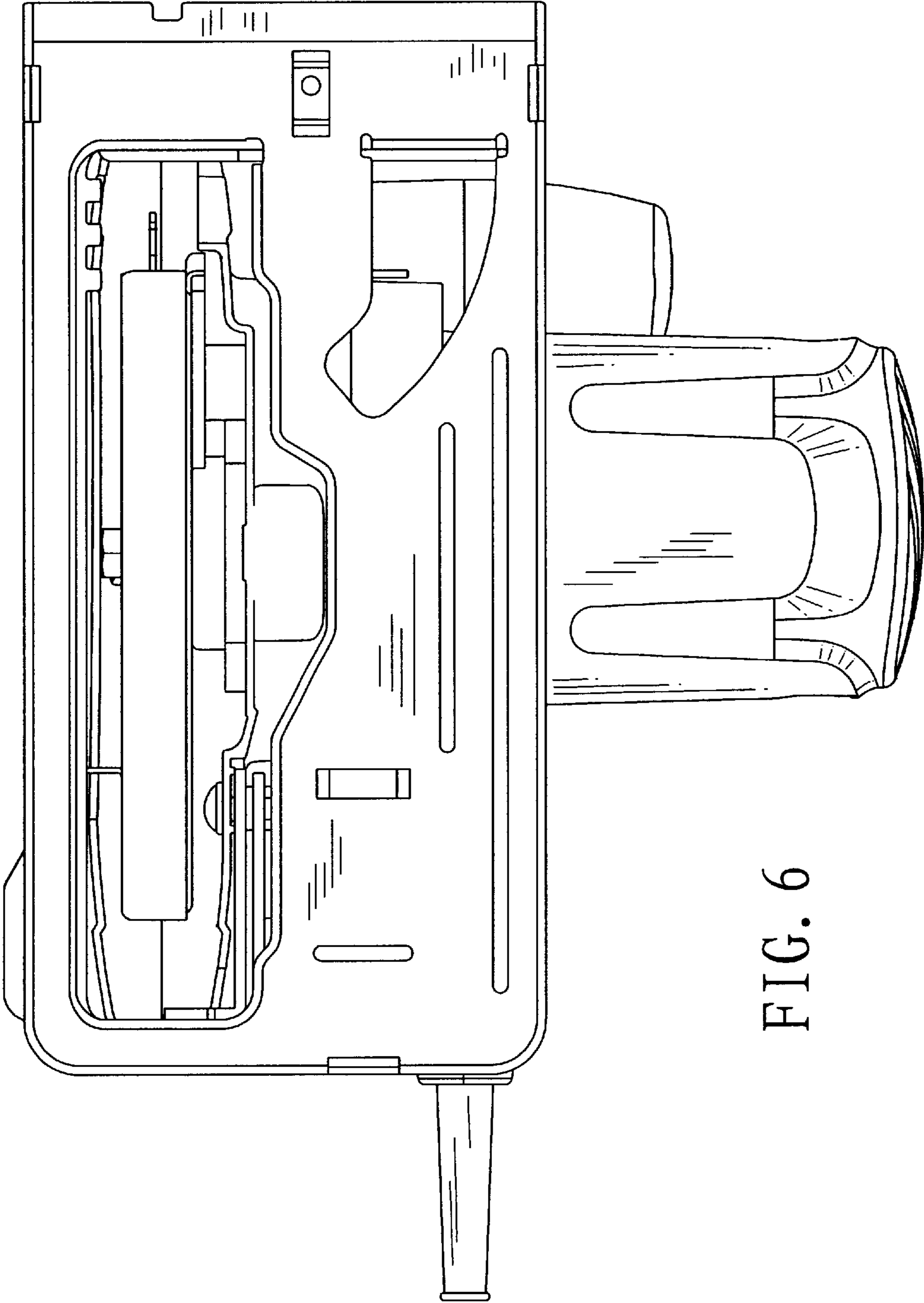


FIG. 6

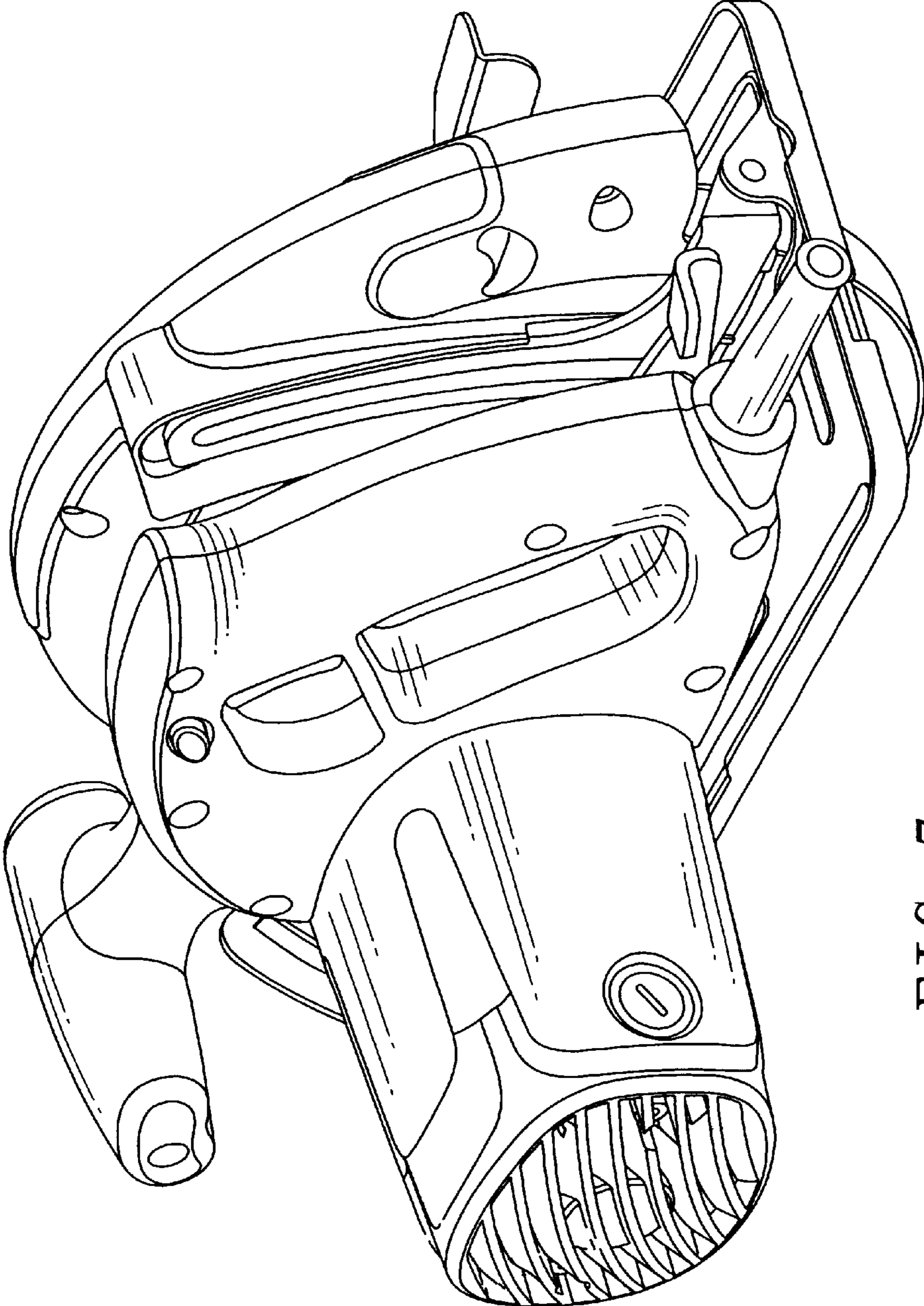


FIG. 7

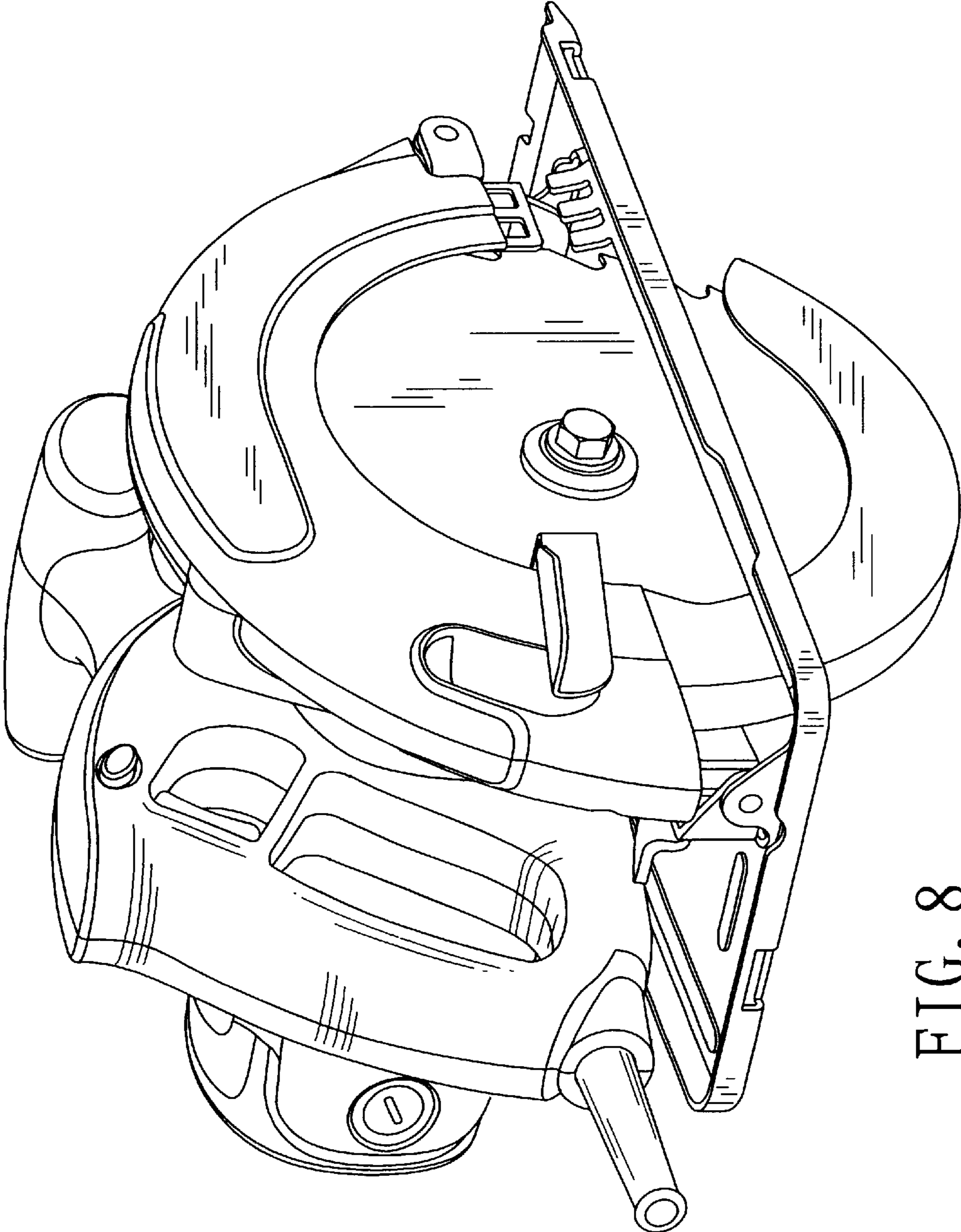


FIG. 8

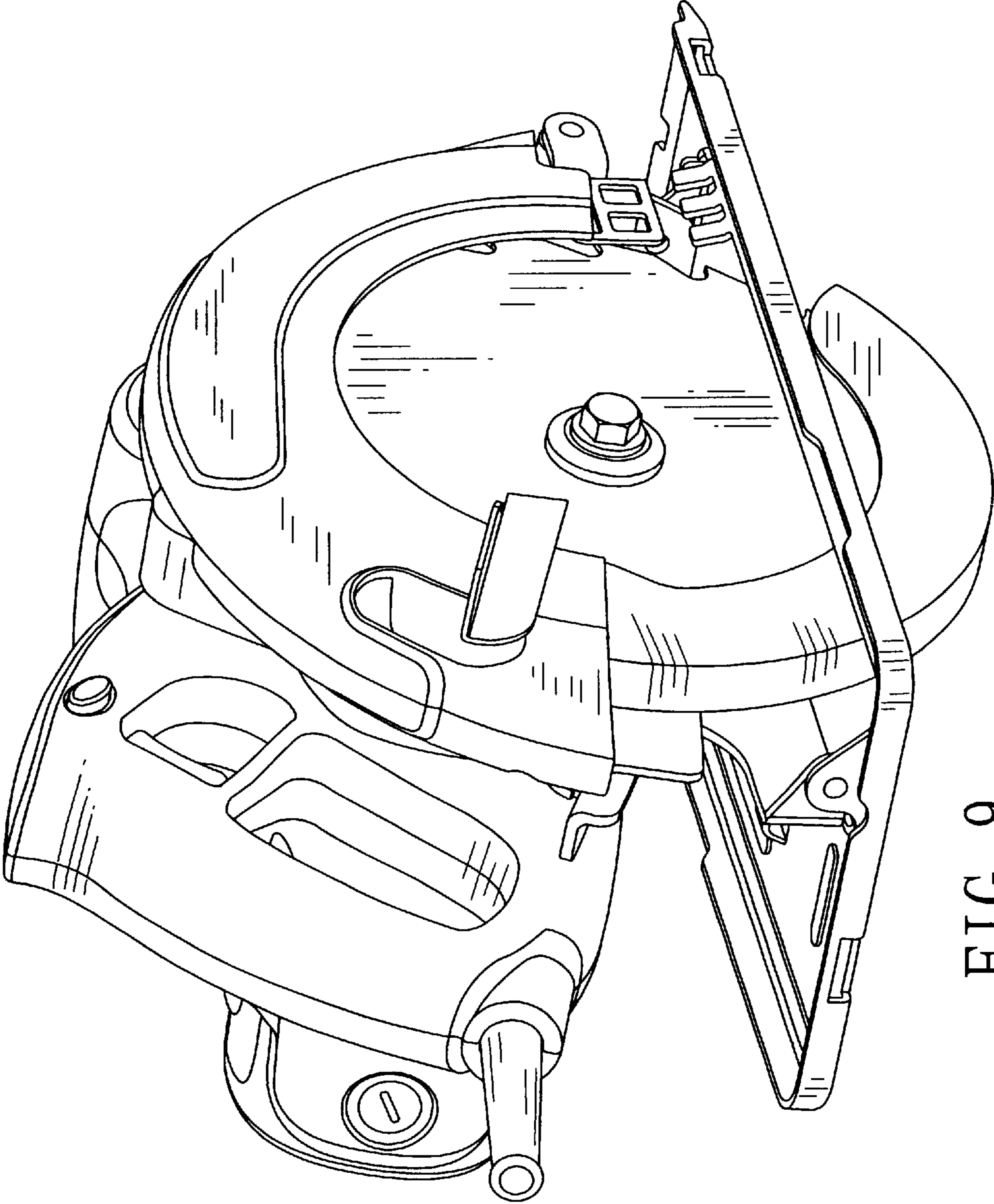


FIG. 9

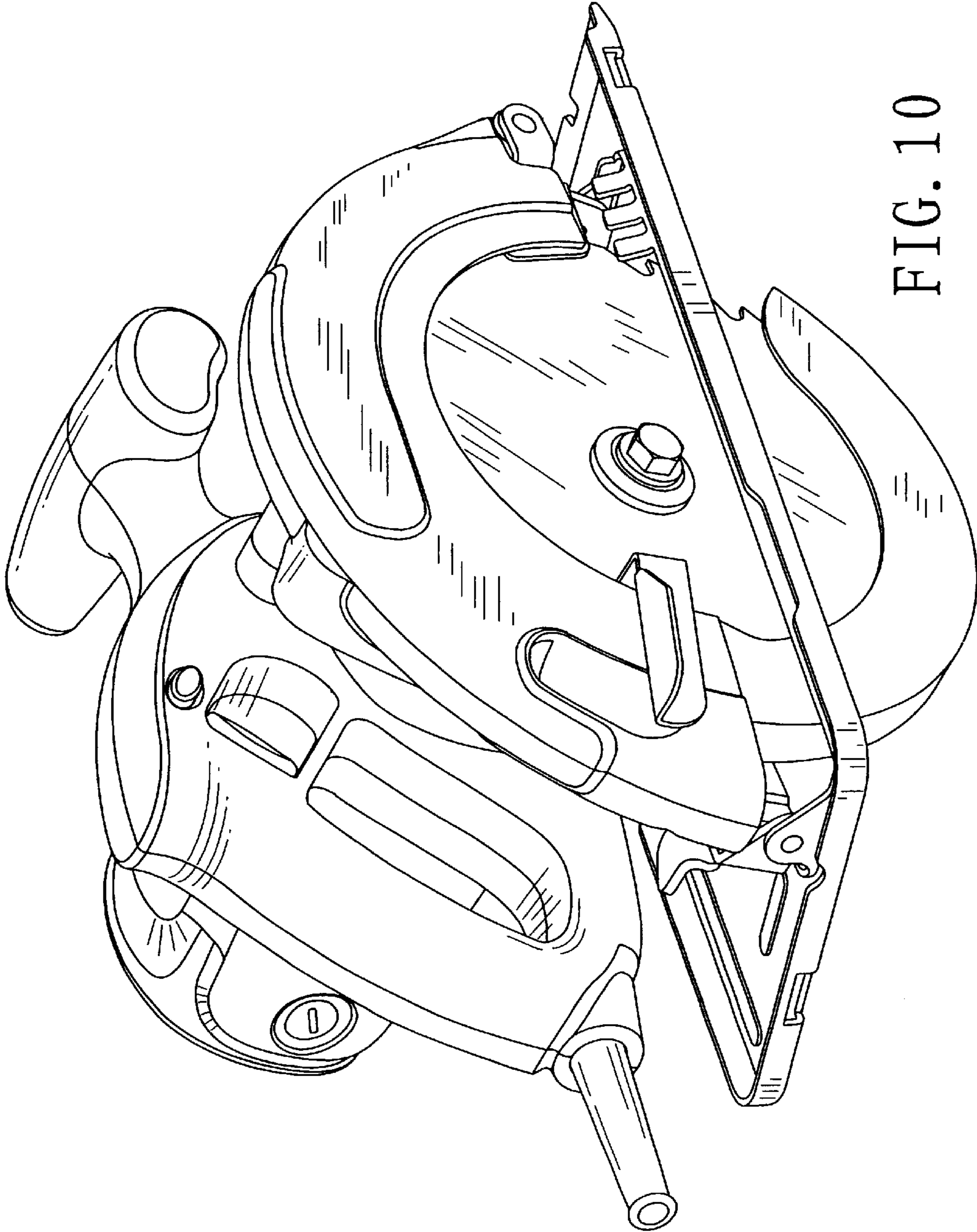


FIG. 10