

US00D502372S

(12) **United States Design Patent**
Ziegert et al.

(10) **Patent No.: US D502,372 S**
(45) **Date of Patent: ** Mar. 1, 2005**

(54) **BLIND RIVET SETTING TOOL**
(75) Inventors: **Thomas Ziegert**, Hüttenberg (DE);
Christian Reiter, Giessen (DE); **Stefan**
Lippert, Hungen (DE)
(73) Assignee: **Newfrey LLC**, Newark, DE (US)
(**) Term: **14 Years**

D333,076 S * 2/1993 Fushiya et al. D8/61
5,277,049 A * 1/1994 Endo 72/391.4
5,357,666 A * 10/1994 El Dessouky et al. .. 29/243.521
5,519,927 A * 5/1996 Roessler 29/243.523
D445,012 S * 7/2001 Suzuki et al. D8/61
6,374,474 B1 * 4/2002 Rossler 29/243.523
2002/0007542 A1 * 1/2002 Suzuki et al. 29/243.523

* cited by examiner

Primary Examiner—Joel A. Sincavage
Assistant Examiner—Elizabeth Albert
(74) *Attorney, Agent, or Firm*—Richard J. Veltman

(21) Appl. No.: **29/190,237**
(22) Filed: **Sep. 17, 2003**

(30) **Foreign Application Priority Data**

Mar. 27, 2003 (DE) 4 03 02 525

(51) **LOC (7) Cl.** **08-05**
(52) **U.S. Cl.** **D8/61**
(58) **Field of Search** D8/61, 62, 67,
D8/68, 69; 29/243.521, 243.523, 243.525,
248.526; 72/391.4, 391.6, 391.8; 81/54;
173/2, 170, 217; 310/50

(56) **References Cited**

U.S. PATENT DOCUMENTS

3,657,915 A * 4/1972 Lee 29/812.5
4,744,238 A * 5/1988 Halbert 29/812.5
5,136,873 A * 8/1992 Hopkins et al. 72/391.6

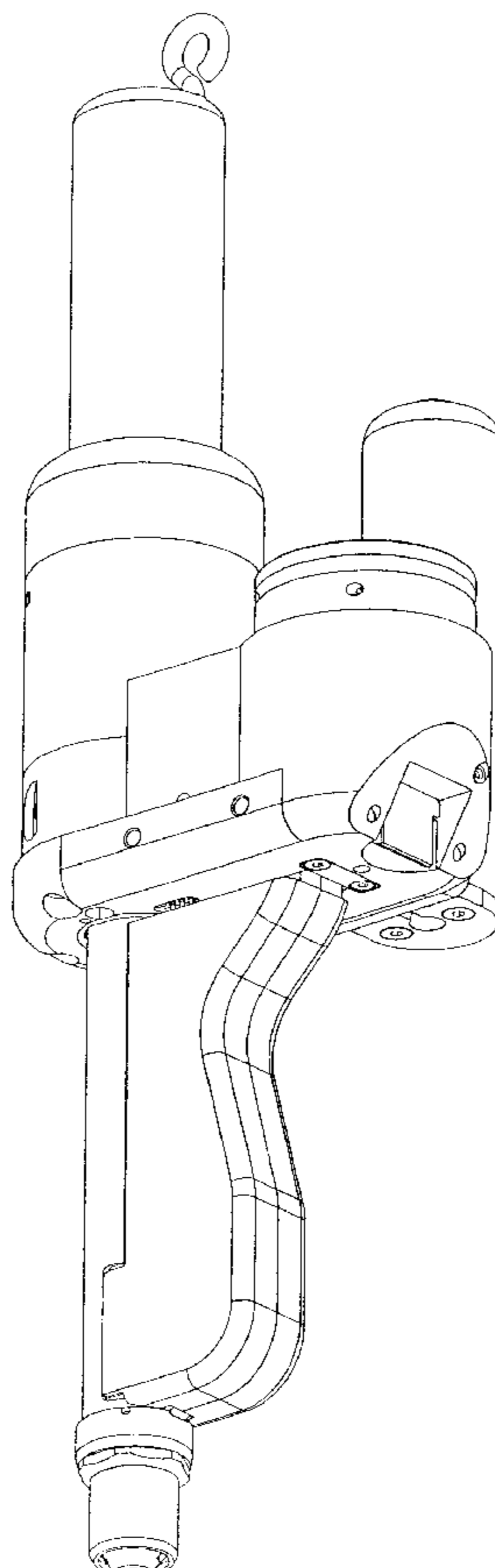
(57) **CLAIM**

The ornamental design for a blind rivet setting tool, as shown and described.

DESCRIPTION

FIG. 1 is a side view in perspective from the left;
FIG. 2 is a side view in perspective from the right;
FIG. 3 is a side view from the left;
FIG. 4 is a side view from the right;
FIG. 5 is a front view;
FIG. 6 is a rear view;
FIG. 7 is a view from above; and,
FIG. 8 is a view from below.

1 Claim, 8 Drawing Sheets



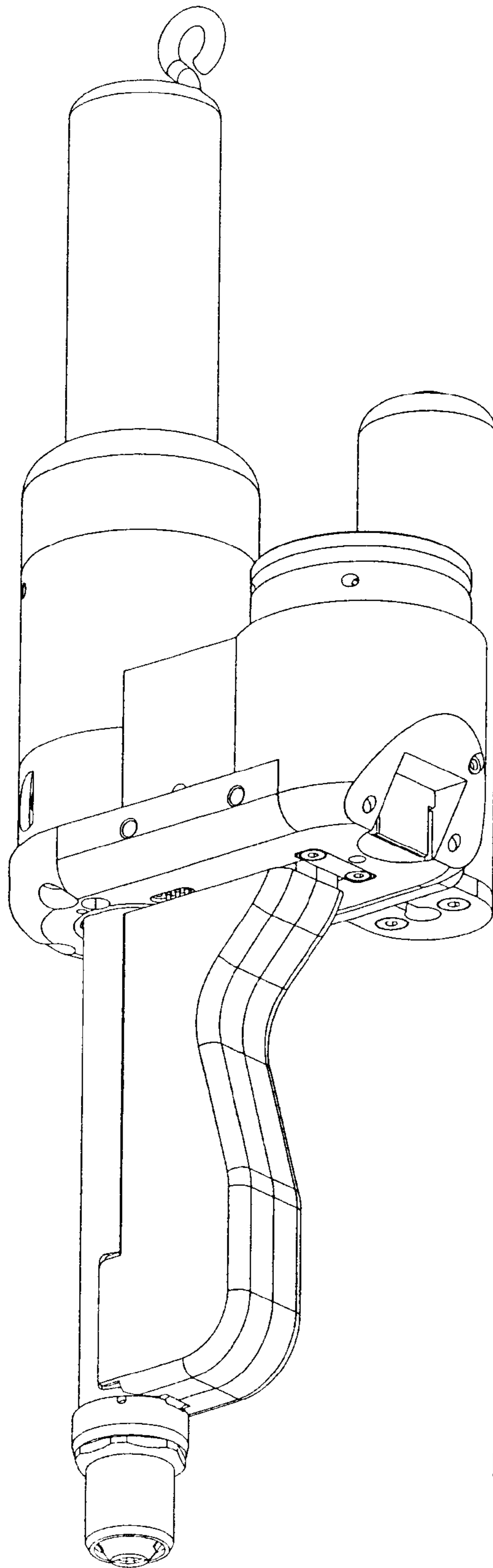


FIG. 1

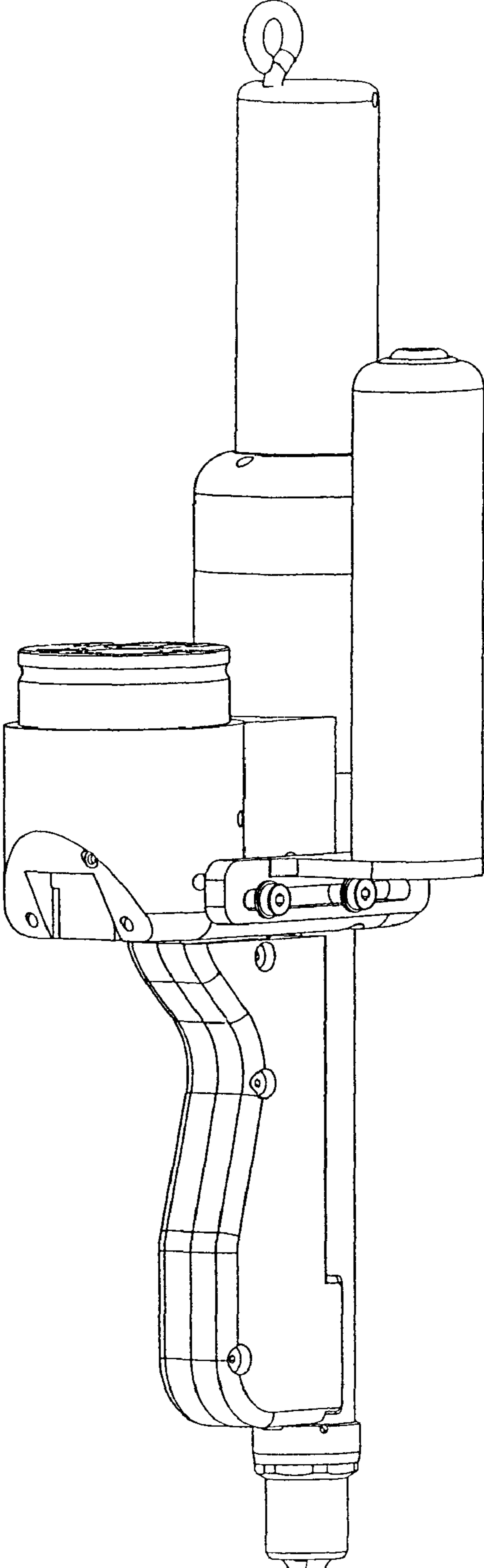


FIG. 2

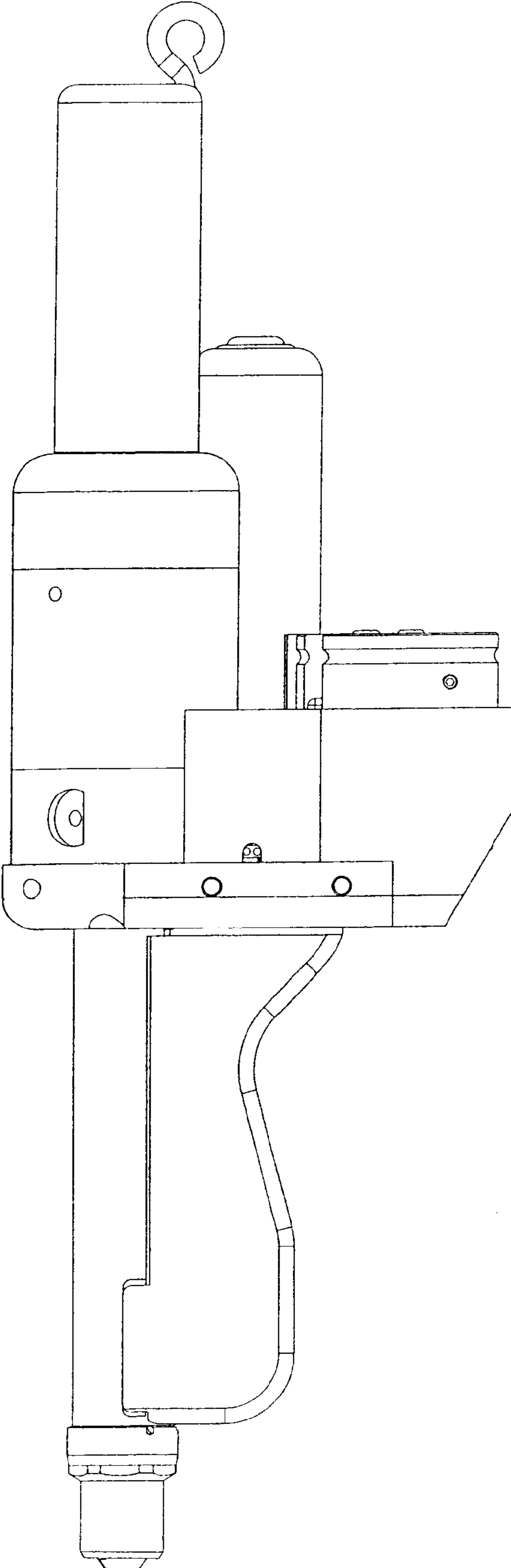


FIG. 3

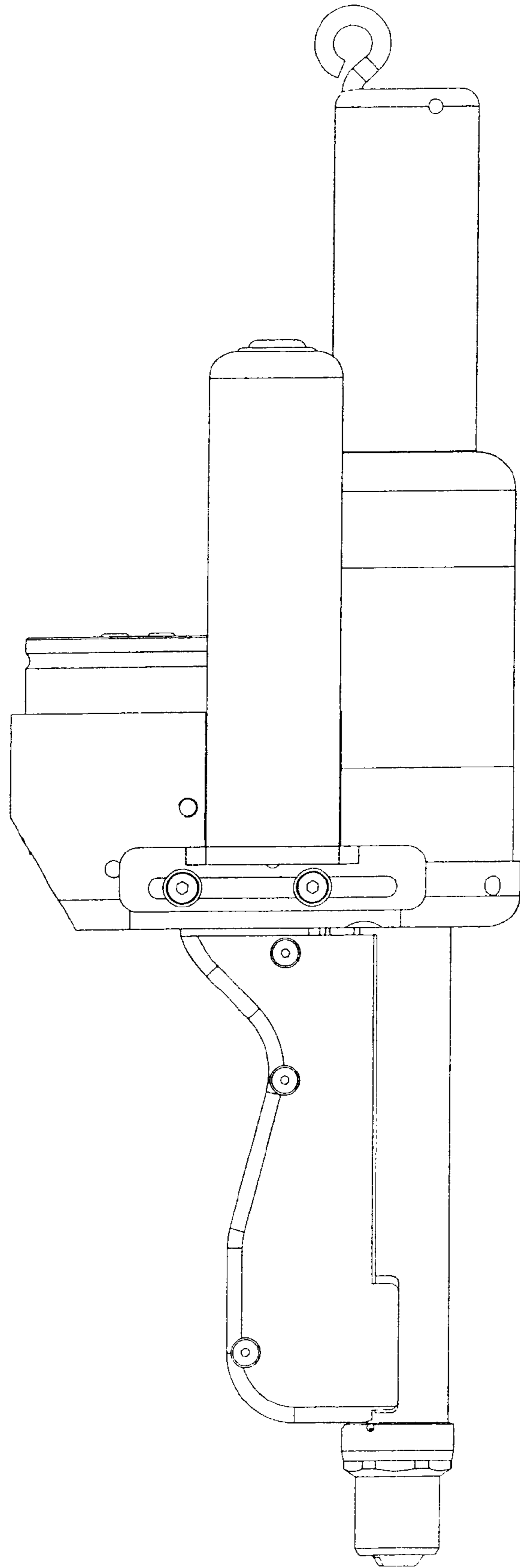


FIG. 4

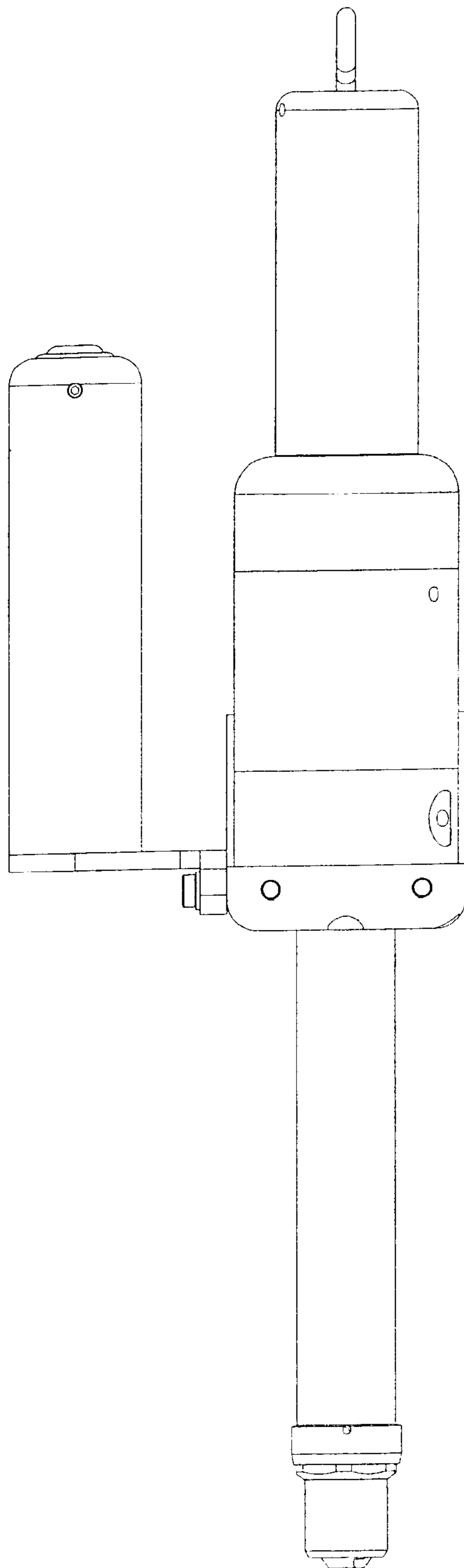


FIG. 5

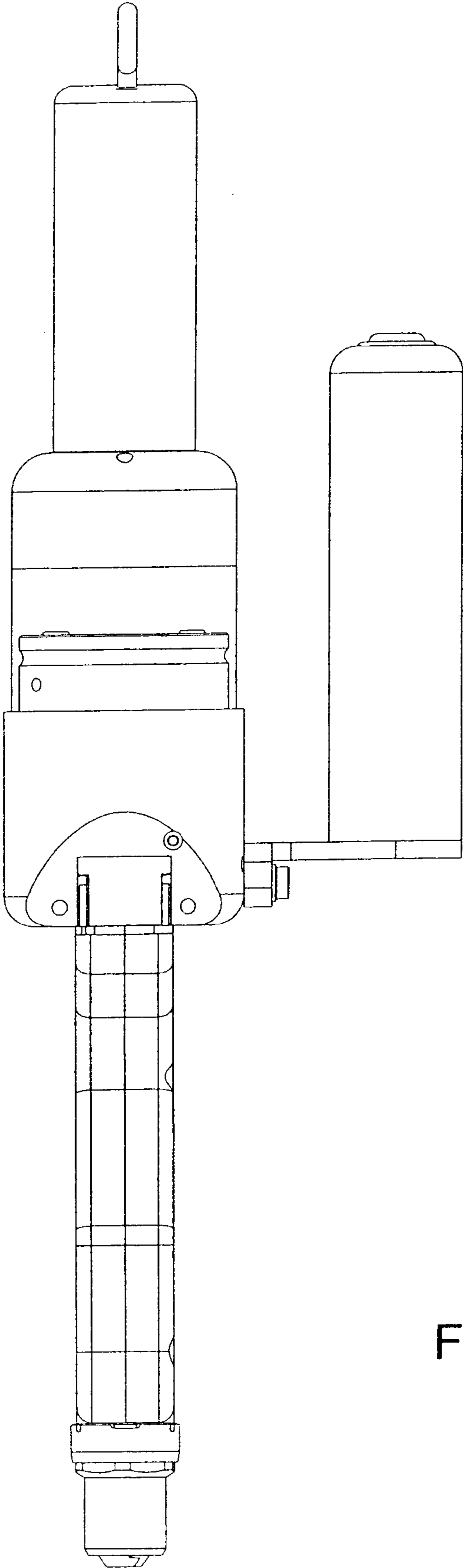


FIG. 6

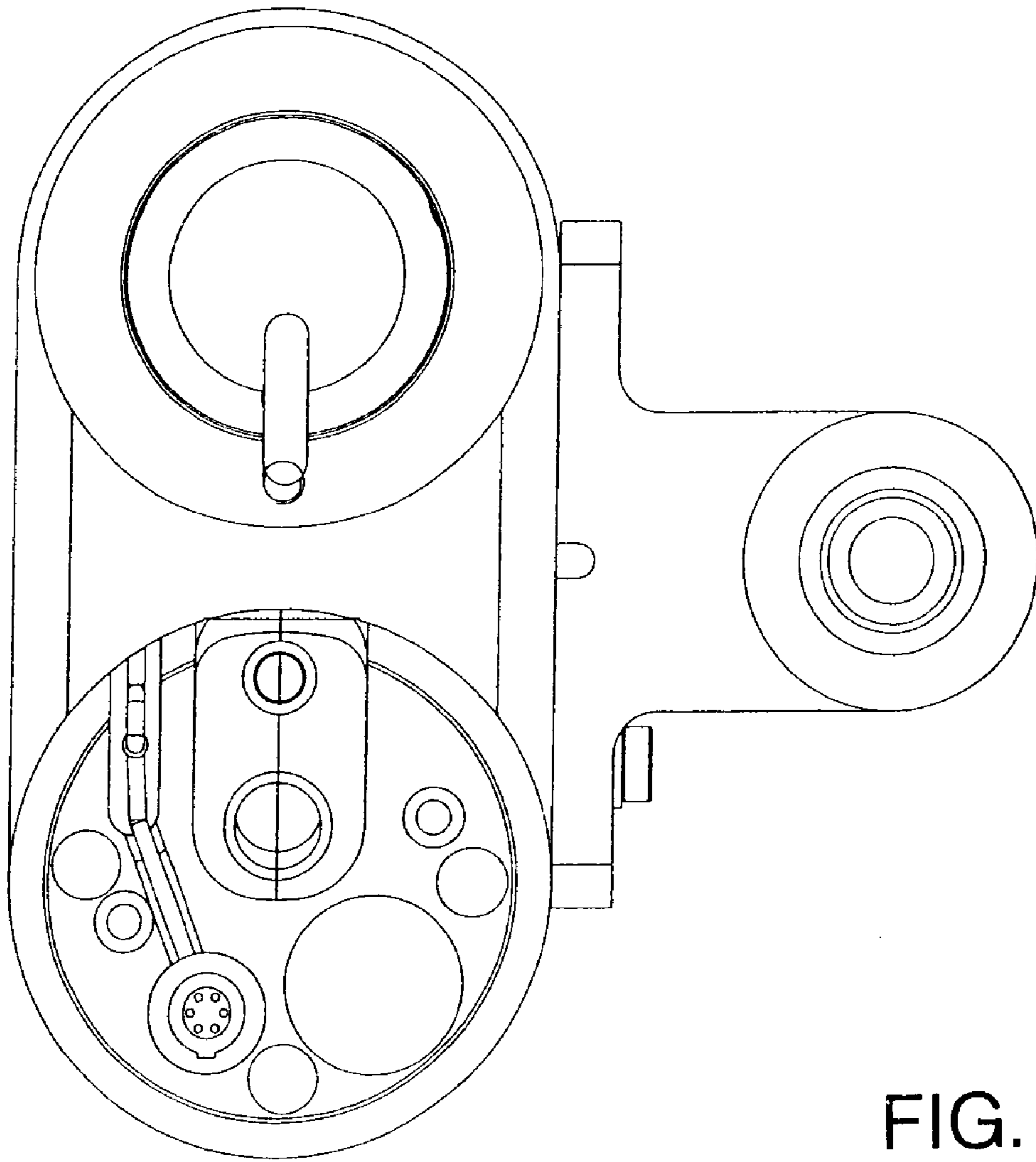


FIG. 7

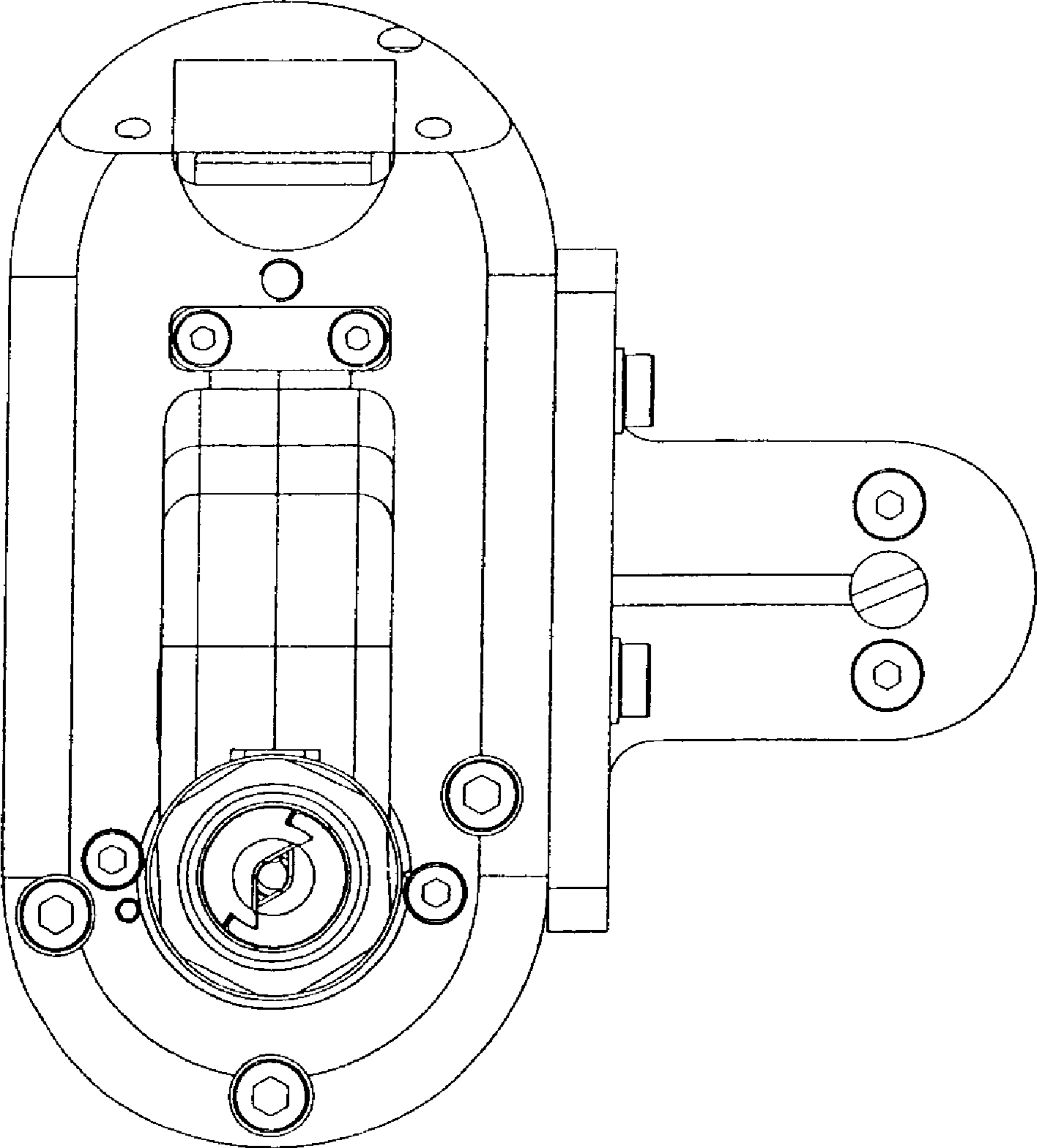


FIG. 8