

US00D502370S

(12) **United States Design Patent**
Hsu

(10) **Patent No.:** **US D502,370 S**
(45) **Date of Patent:** **** Mar. 1, 2005**

(54) **CLIP DRIVER**

(76) **Inventor:** **Kuo-Jen Hsu**, P.O. Box 90, Tainan City (TW)

(**) **Term:** **14 Years**

(21) **Appl. No.:** **29/204,116**

(22) **Filed:** **Apr. 26, 2004**

(51) **LOC (7) Cl.** **19-02**

(52) **U.S. Cl.** **D8/50; D8/49**

(58) **Field of Search** **D8/49, 50; D19/72; 227/120, 126, 127, 128, 131, 132, 134, 156; 29/243.56**

(56) **References Cited**

U.S. PATENT DOCUMENTS

D318,609 S	*	7/1991	Sato	D8/49
5,027,994 A	*	7/1991	Lee	227/120
5,152,423 A	*	10/1992	Tseng	29/243.56
D331,001 S	*	11/1992	Hu Huang	D8/50

6,067,706 A	*	5/2000	Sato	29/243.56
6,318,619 B1	*	11/2001	Lee	227/134
D493,083 S	*	7/2004	Lammers et al.	D8/50
2004/0020023 A1	*	2/2004	Hsu	29/243.56

* cited by examiner

Primary Examiner—Adir Aronovich

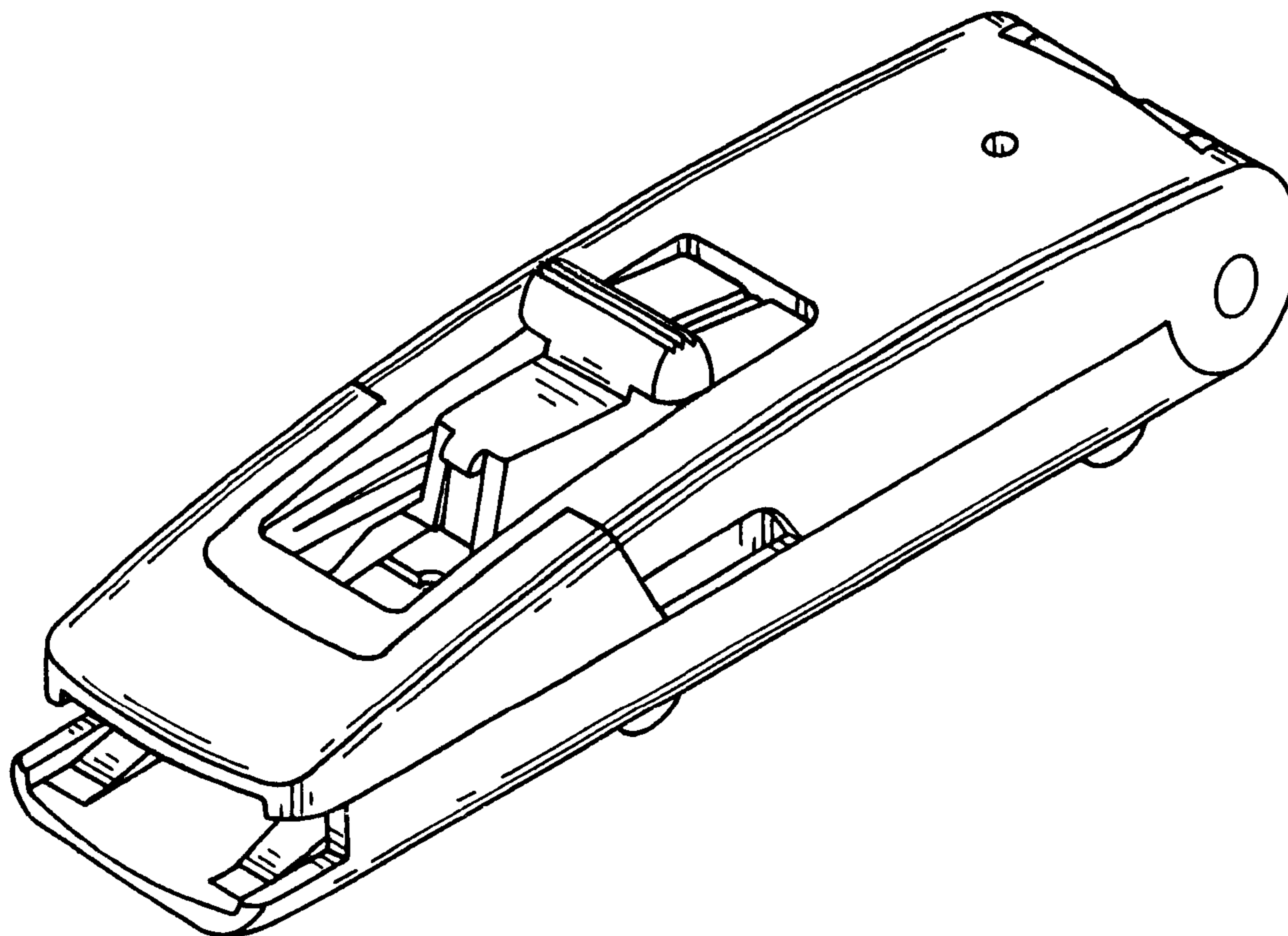
(57) **CLAIM**

The ornamental design for a clip driver, as shown as described.

DESCRIPTION

FIG. 1 is a perspective view of a clip driver showing my design;
FIG. 2 is a front elevational view thereof;
FIG. 3 is a rear elevational view thereof;
FIG. 4 is a left side elevational view thereof;
FIG. 5 is a right side elevational view thereof;
FIG. 6 is a top plan view thereof; and,
FIG. 7 is a bottom plan view thereof.

1 Claim, 3 Drawing Sheets



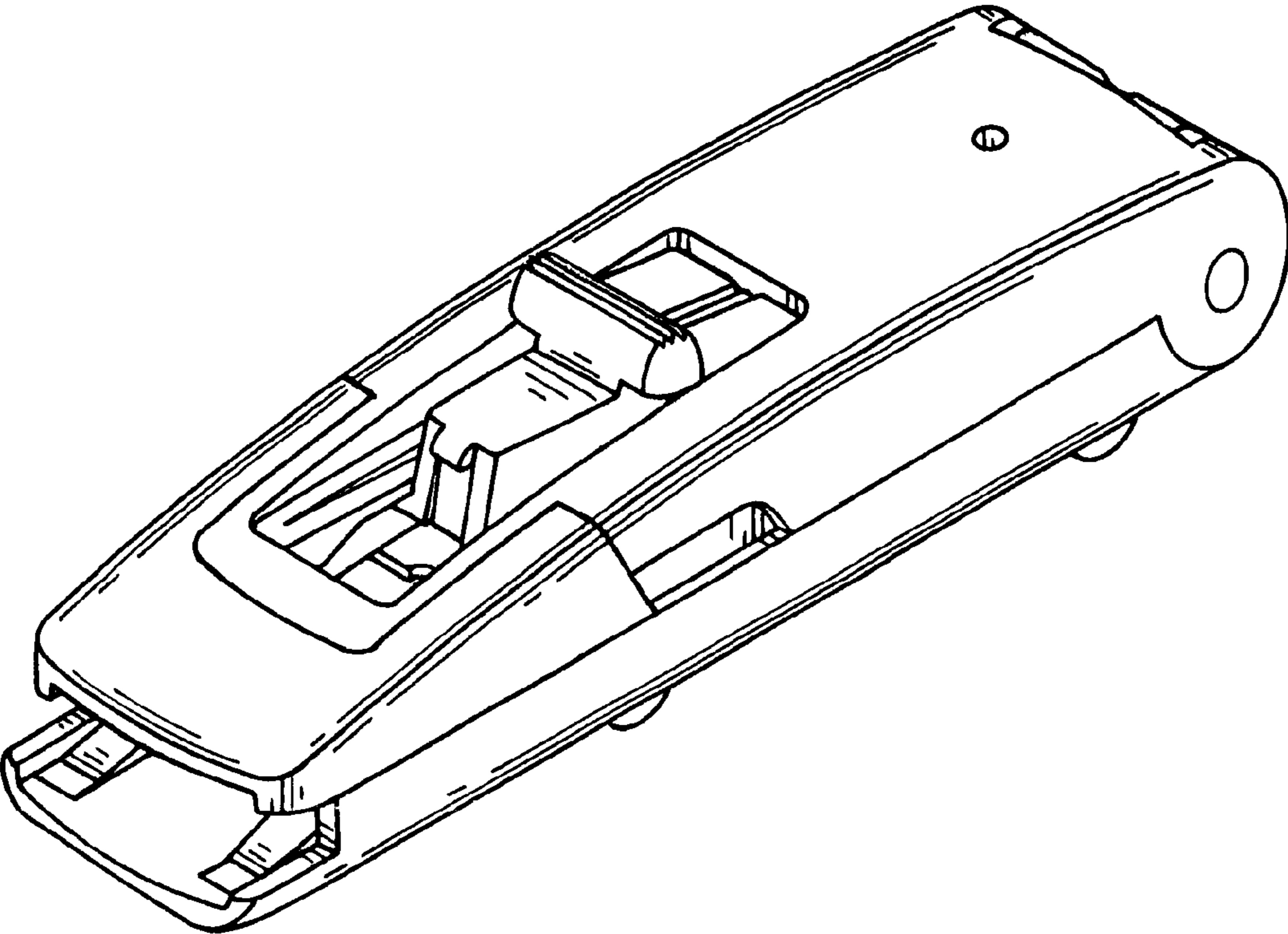


FIG. 1

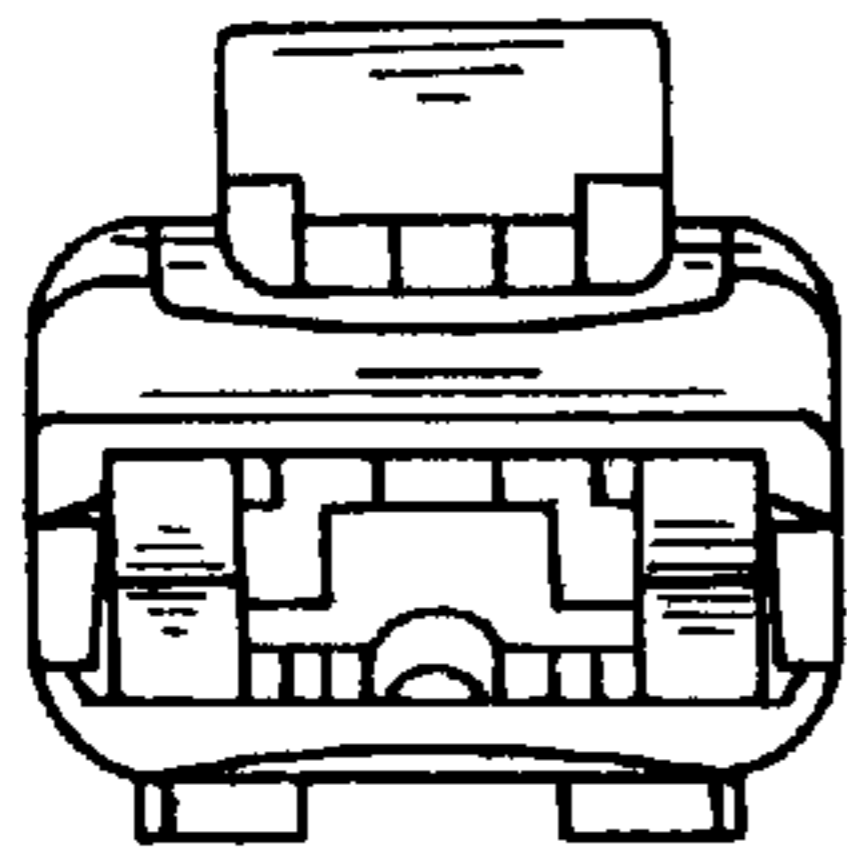


FIG. 2

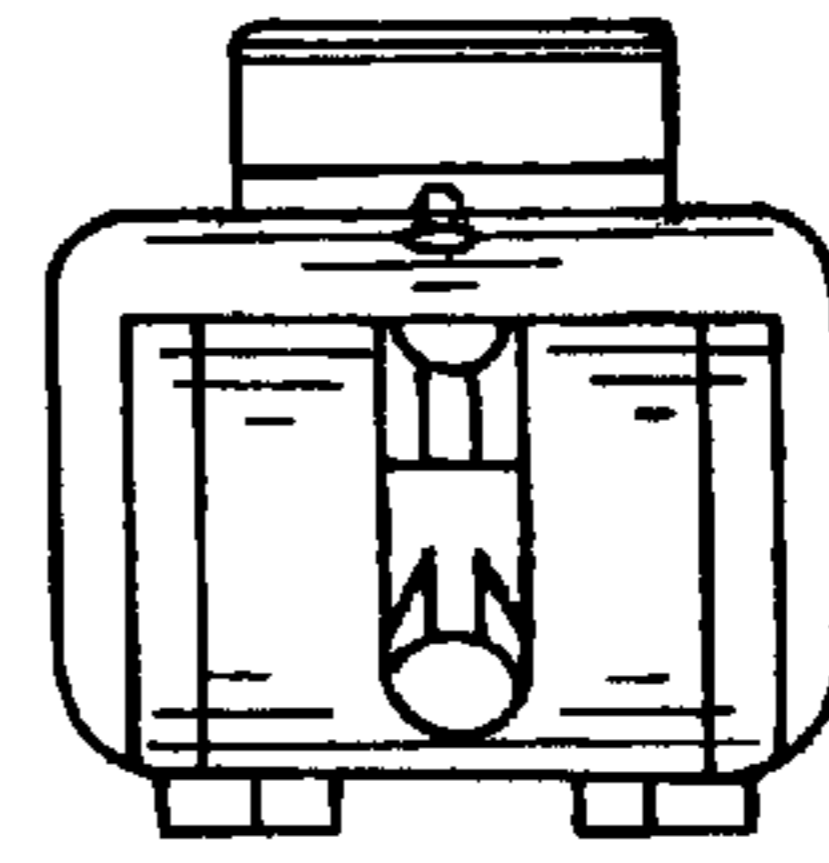


FIG. 3

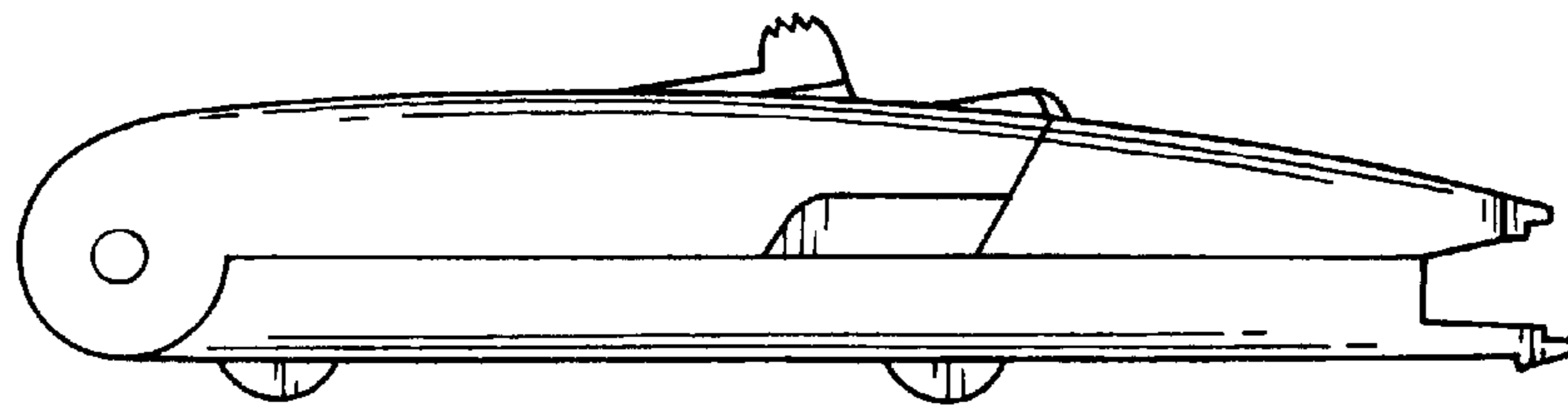


FIG. 4

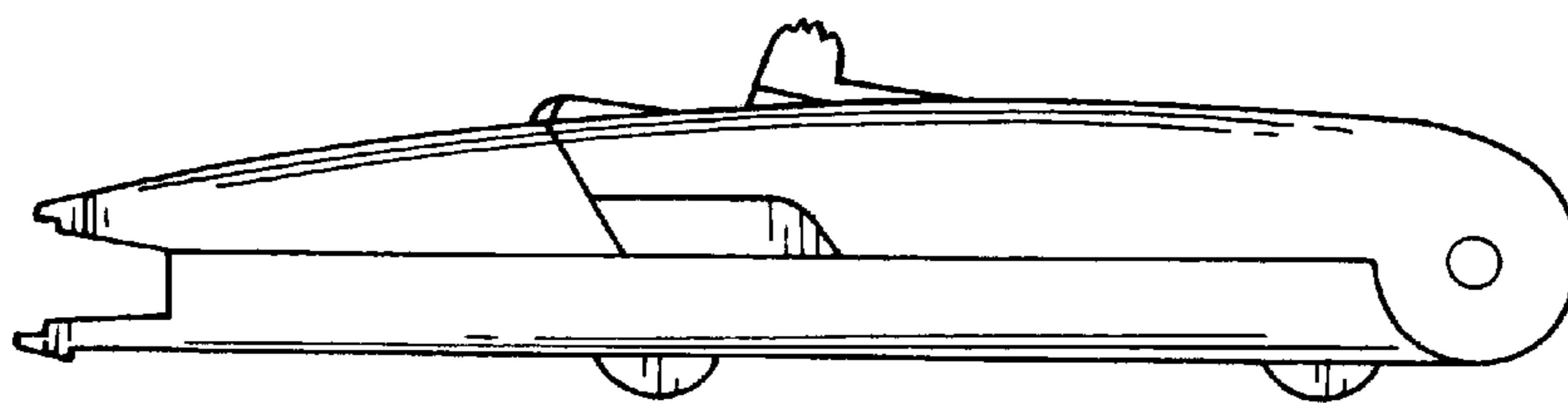


FIG. 5

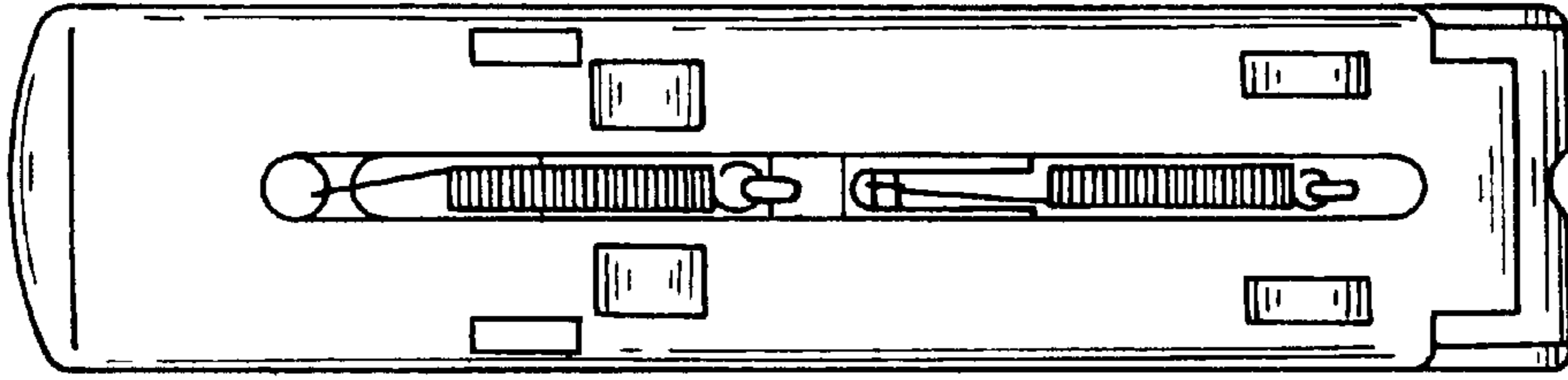


FIG. 6

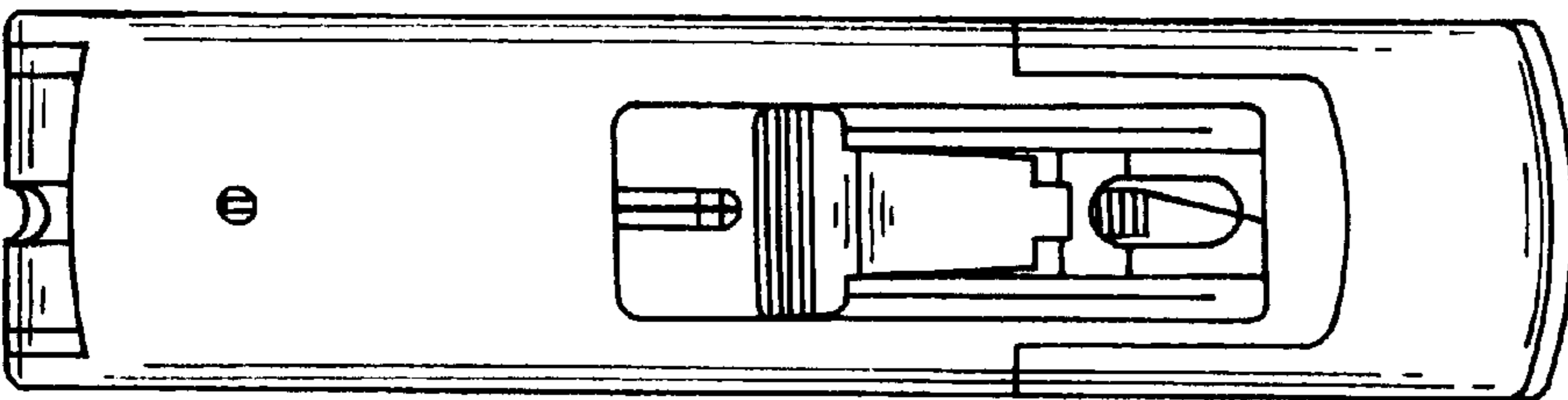


FIG. 7